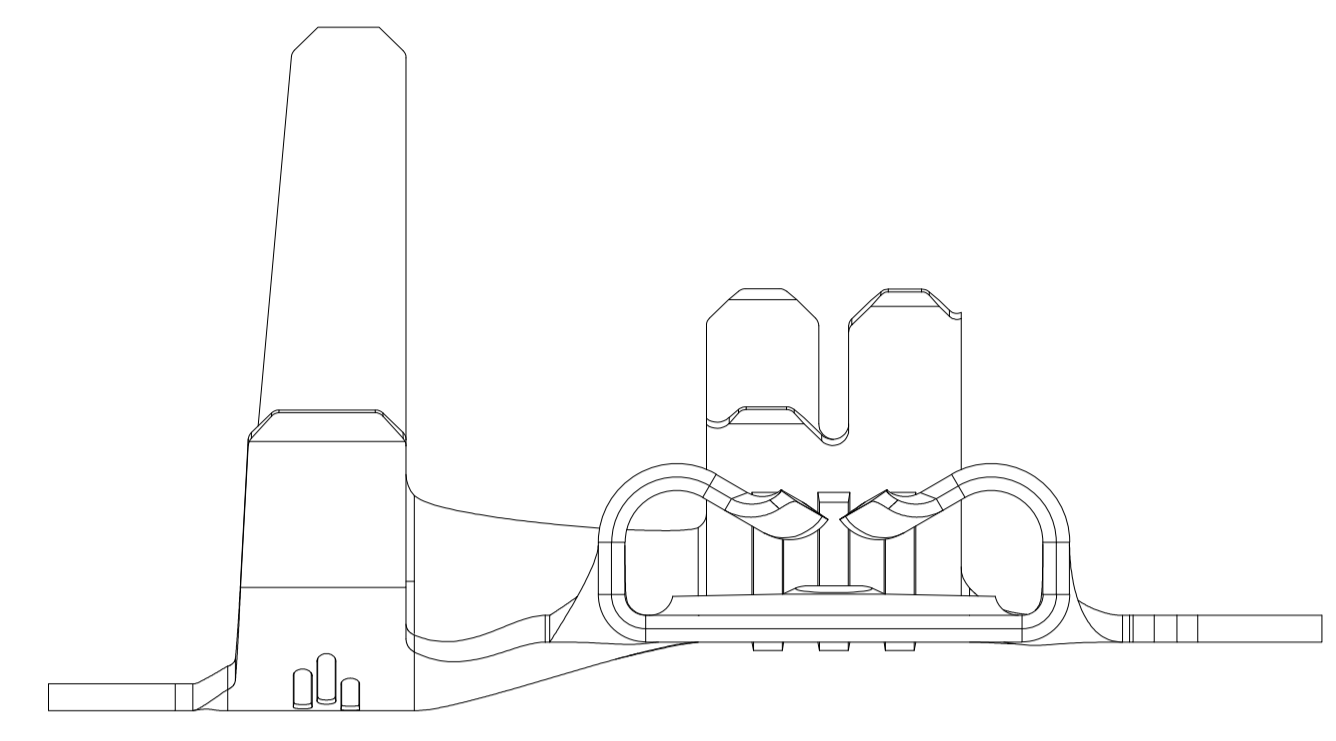
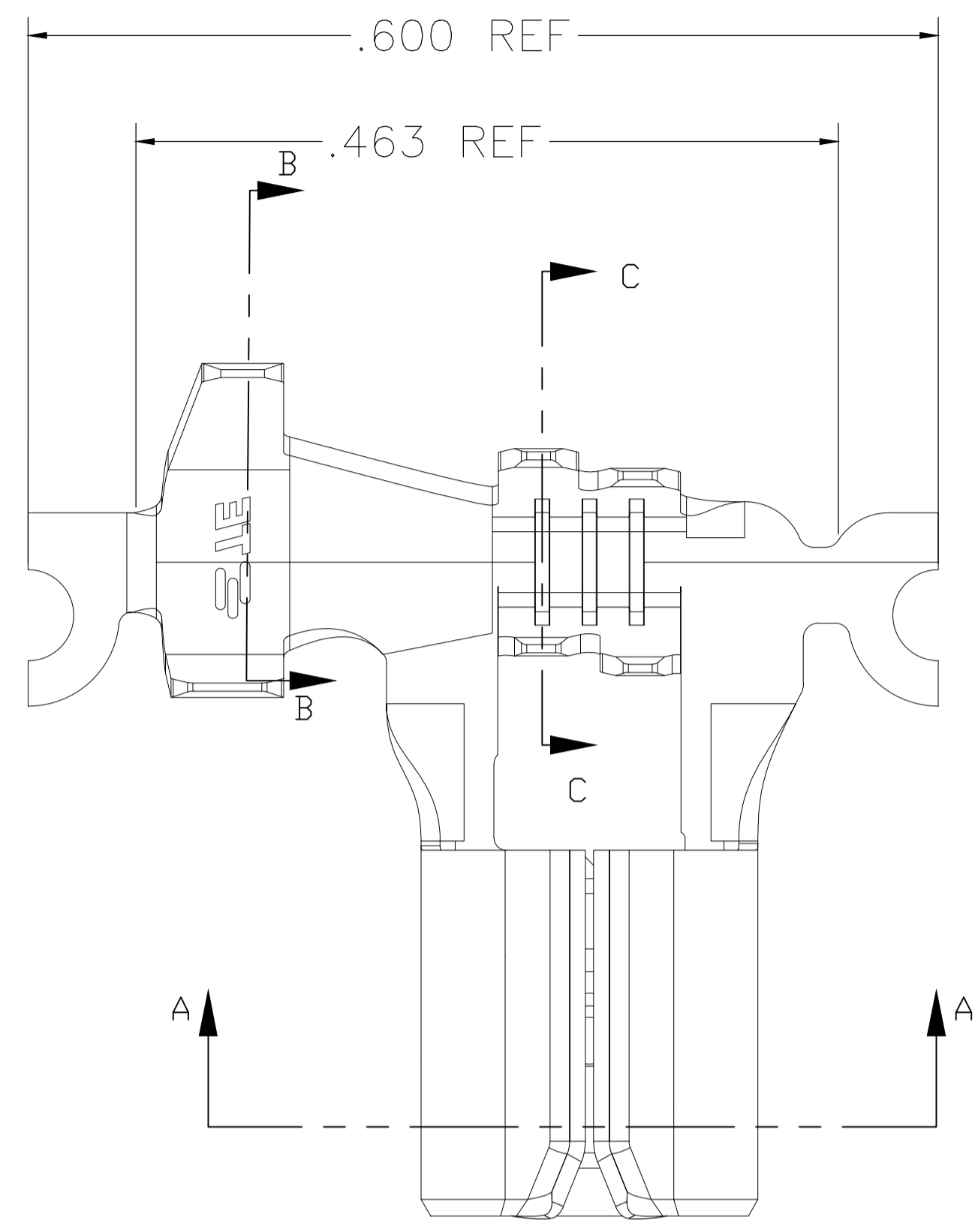
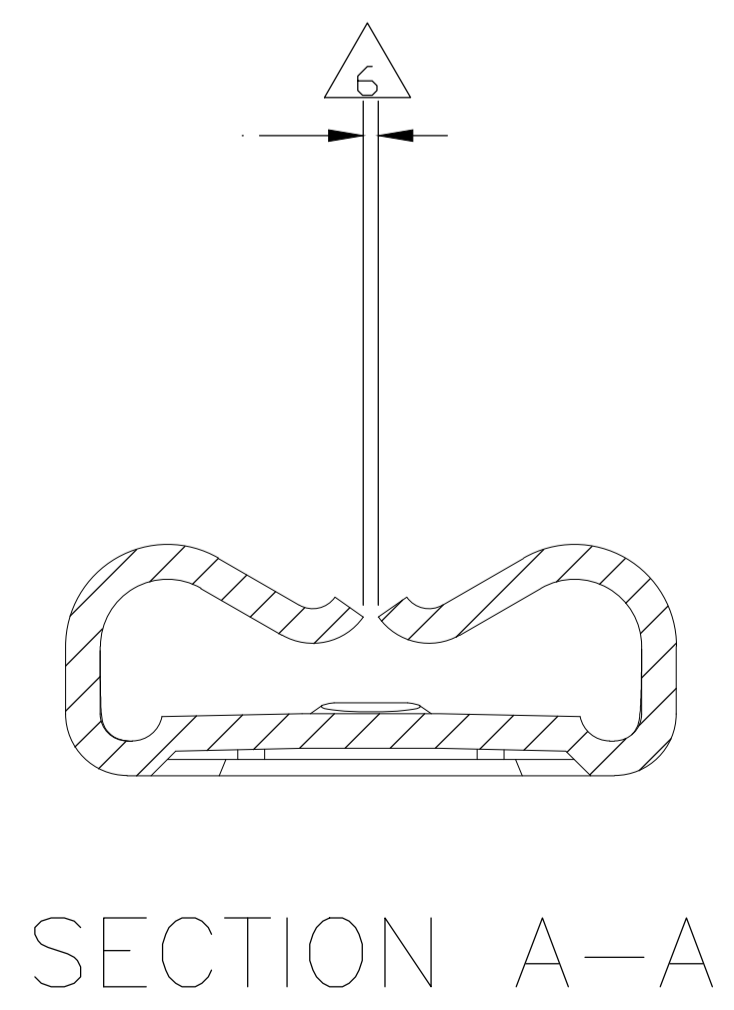
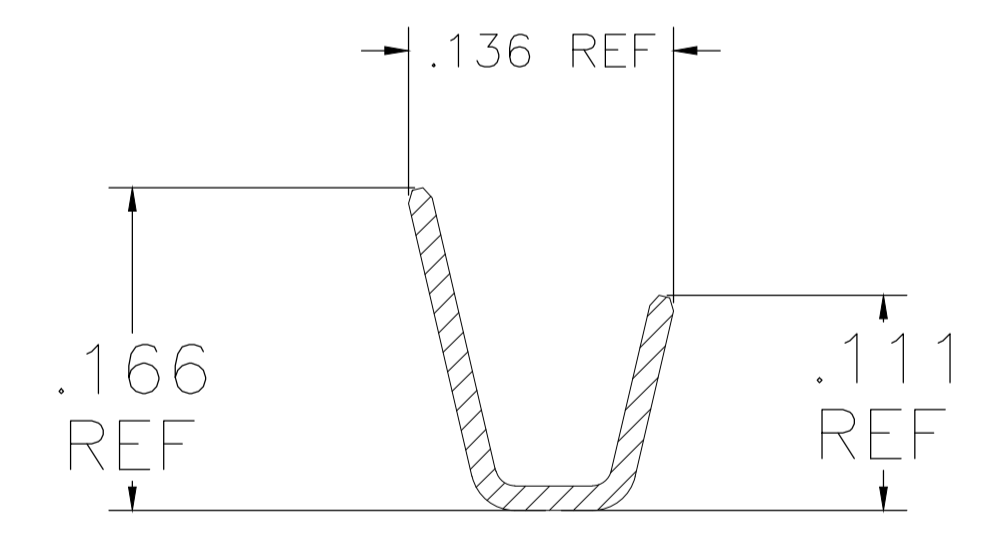
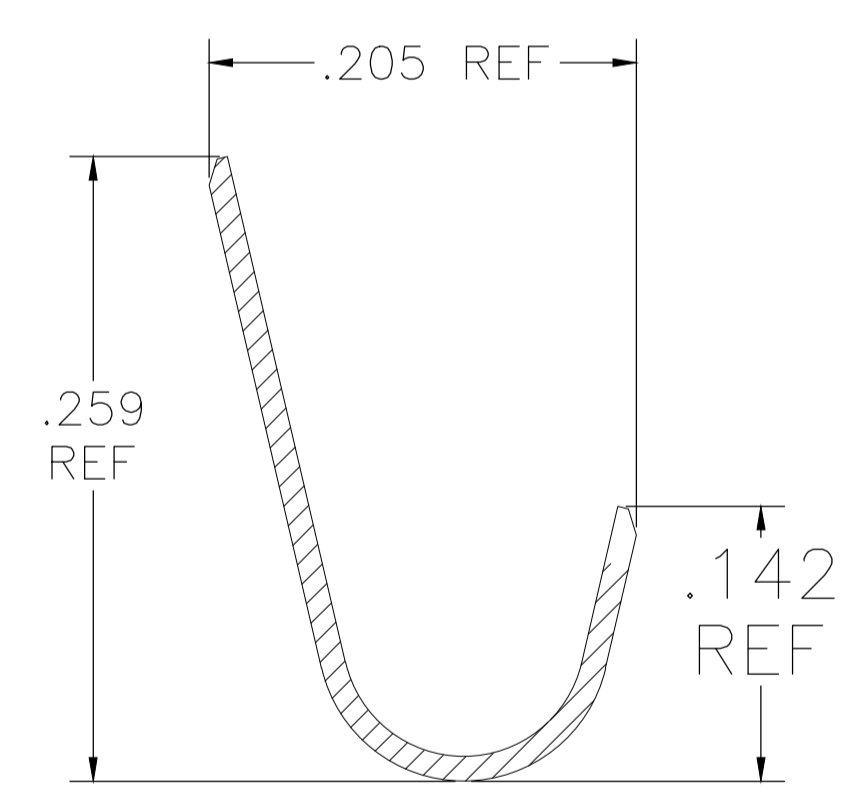
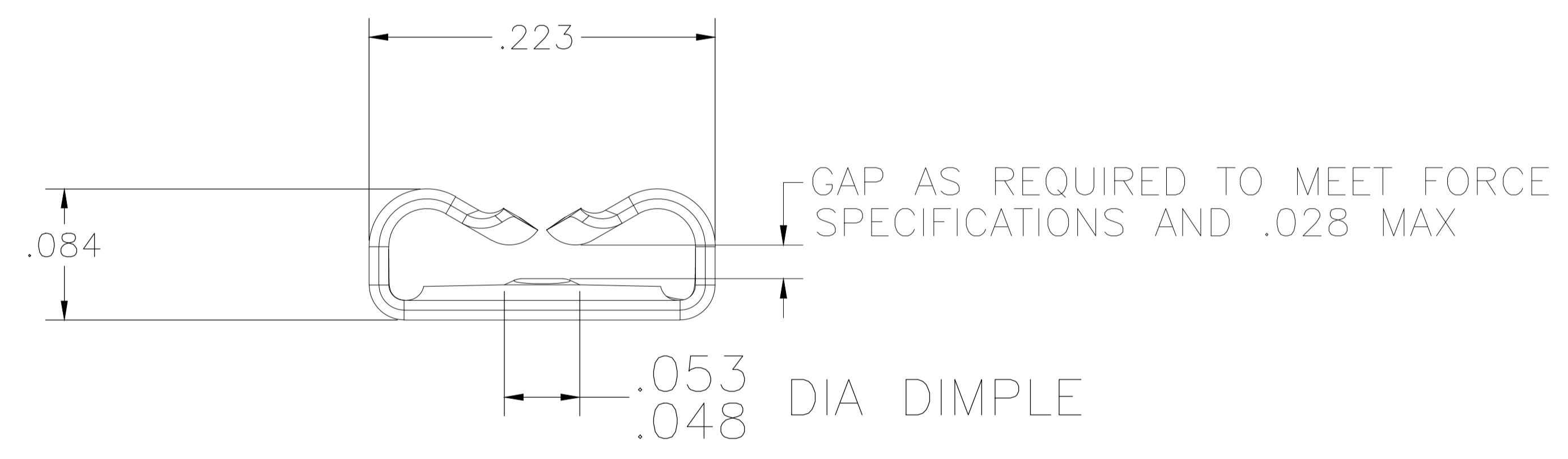


REVISIONS					
P	LTR	DESCRIPTION	DATE	DMN	APVD
A2		REVISED PER ECR-20-009164	20JUL2020	MK	DH



- 1 CONTINUOUS STRIP ON REELS.
- 2 WIRE SIZE IS 24-14 AWG
- 3 INSULATION RANGE IS [.067 - .149]
- 4 MATING TAB THK IS .033-.030
- 5 NOTE NOT USED
- 6 CONTACT ROLLS TO NOT TOUCH EACH OTHER.



OBSOLETE/SUPERSEDED BY 2238172-3	TIN PLATED	BRASS	2238172-3
	FINISH	MATERIAL	PART NUMBER
THIS DRAWING IS A CONTROLLED DOCUMENT. DIMENSIONS: INCHES TOLERANCES UNLESS OTHERWISE SPECIFIED: 0. PLC ± - 1. PLC ± - 2. PLC ± - 3. PLC ± .01 4. PLC ± - ANGLES ± 1°		DIVYA SHUKLA 29DEC2016 DAVID HUMPHREY 29DEC2016 TIM DING 29DEC2016 NAME: FASTON .187 STD. REC. 2D FLG AWG 24-14 TPBR APPLICATION SPEC: - SIZE: A1 CAGE CODE: 00779 DRAWING NO: C=2238172 WEIGHT: - RESTRICTED TO: -	
MATERIAL: -		CUSTOMER DRAWING SCALE: 10:1 SHEET: 1 of 1 REV: A2	

Mouser Electronics

Authorized Distributor

Click to View Pricing, Inventory, Delivery & Lifecycle Information:

[TE Connectivity:](#)

[2238172-3](#)