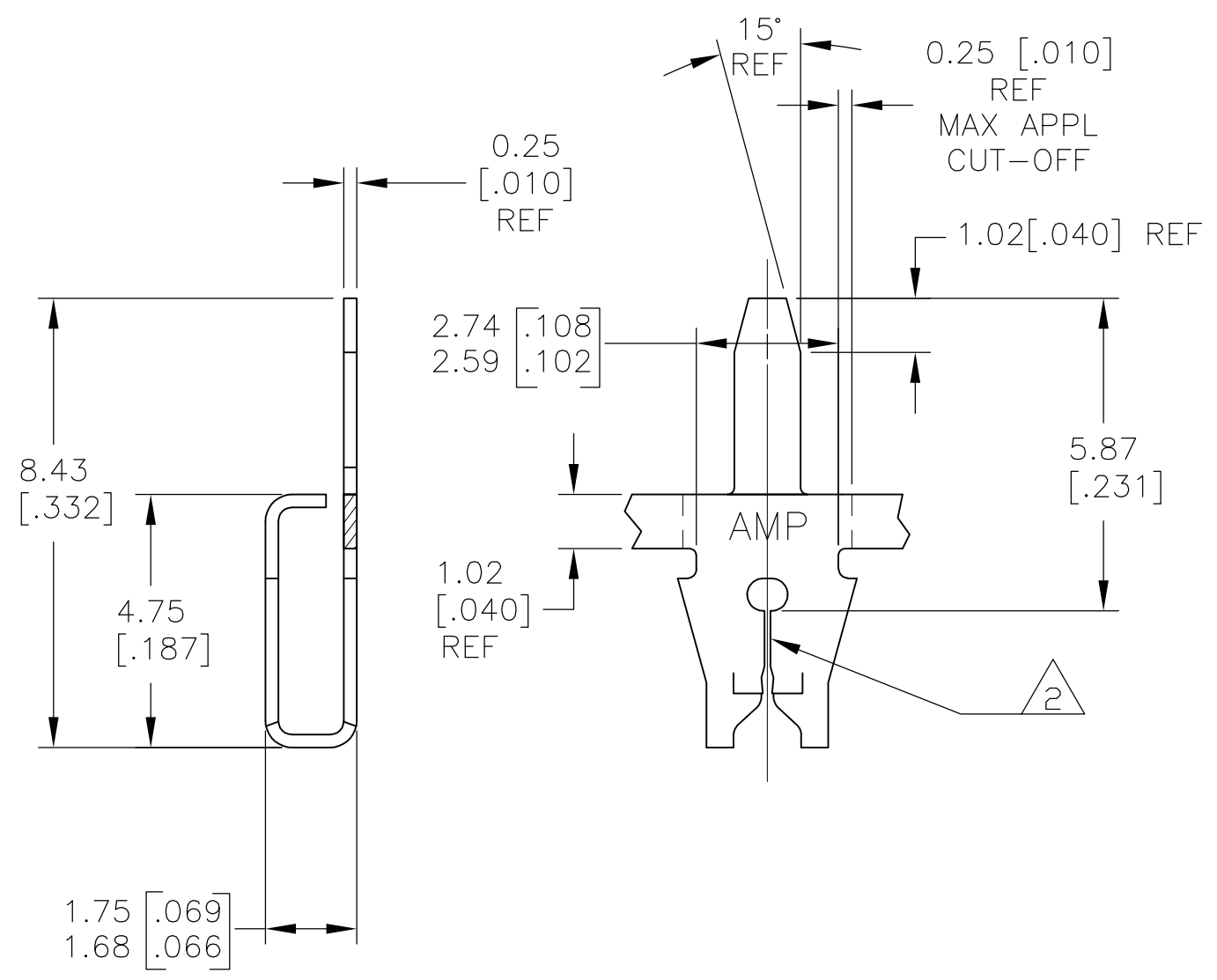
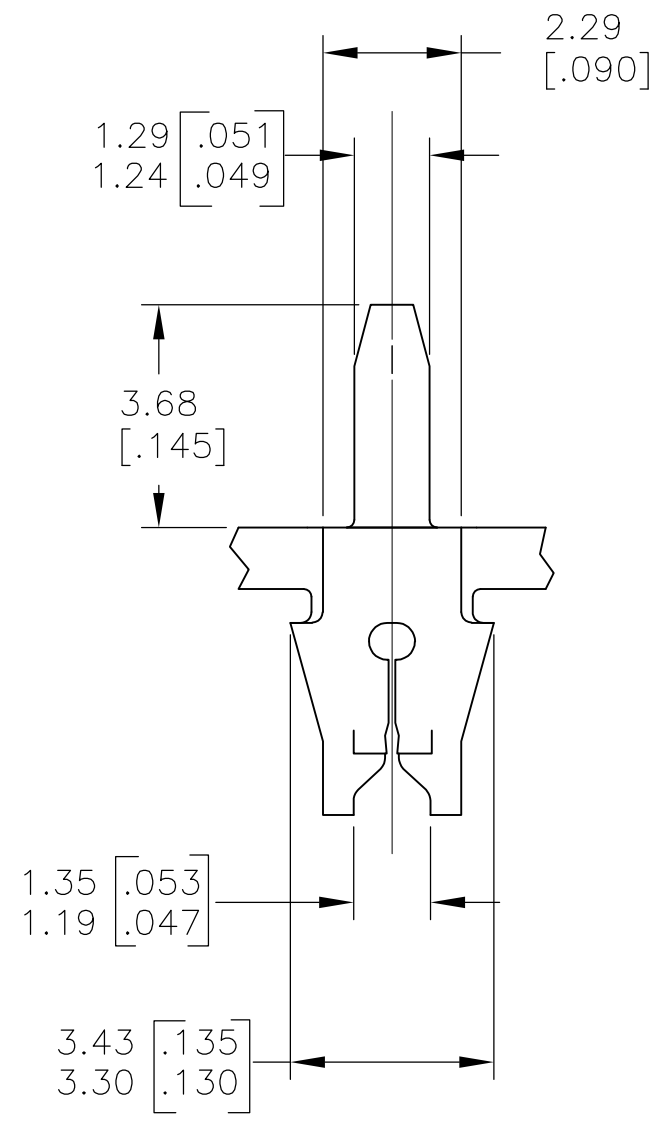


THIS DRAWING IS UNPUBLISHED. RELEASED FOR PUBLICATION
 © COPYRIGHT - By - ALL RIGHTS RESERVED.

REVISIONS				
P	LTR	DESCRIPTION	DATE	APVD
	A	REVISED PER ECR-18-001192	05FEB2018	BDA KR



- 1 CONTINUOUS STRIP ON REELS AT 5.08±0.08 [.200±.003] CENTERS.
- 2 SLOTTED ACCEPTS A SINGLE OR DOUBLE WIRE OF SAME SIZE AND TYPE.
 COPPER MAGNET WIRE:
 DIA 0.16-0.18mm [#34-#33] AWG
 ALUMINUM MAGNET WIRE:
 DIA 0.18-0.23mm [#33-#31] AWG



2238061-1
 PART NO.

THIS DRAWING IS A CONTROLLED DOCUMENT.		DWN B WAYNE 25FEB2015	STE TE Connectivity	
DIMENSIONS: MM [INCHES]		CHK KURT RANDOLPH 25FEB15		
TOLERANCES UNLESS OTHERWISE SPECIFIED:		APVD KURT RANDOLPH 25FEB15	NAME TERMINAL, POSTED, 187 SERIES, MAG-MATE	
0 PLC ± -		PRODUCT SPEC 108-2012	SIZE A3	
1 PLC ± -		APPLICATION SPEC 114-2069	CAGE CODE 00779	DRAWING NO C-2238061
2 PLC ± 0.25 [.010]		WEIGHT	RESTRICTED TO	
3 PLC ± -		MATERIAL BRASS	SCALE 8:1	
4 PLC ± -			SHEET 1 OF 1	
ANGLES ± -		FINISH TIN		REV A
MATERIAL BRASS		CUSTOMER DRAWING		

Mouser Electronics

Authorized Distributor

Click to View Pricing, Inventory, Delivery & Lifecycle Information:

[TE Connectivity:](#)

[2238061-1](#)