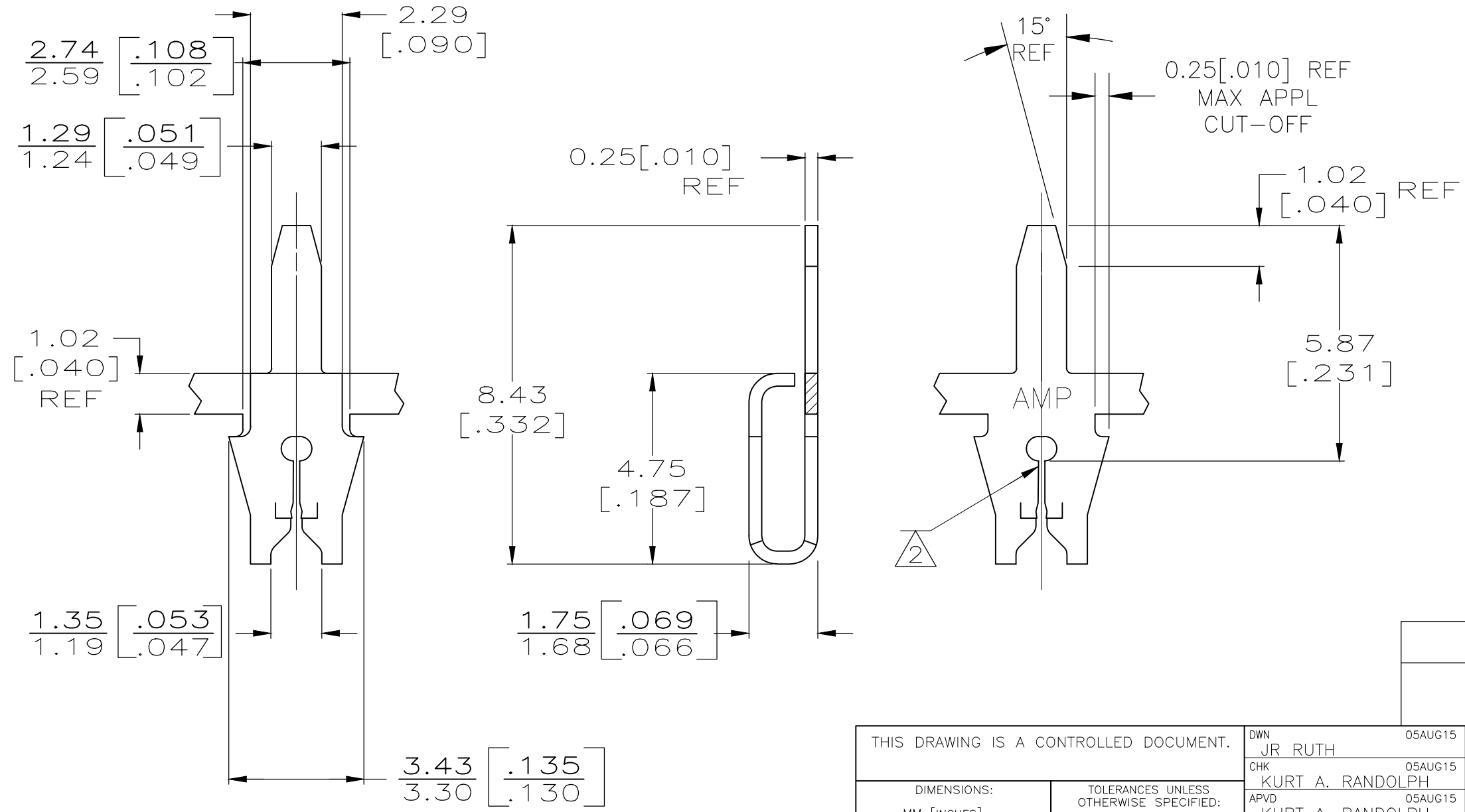


THIS DRAWING IS UNPUBLISHED. RELEASED FOR PUBLICATION  
 © COPYRIGHT - By - ALL RIGHTS RESERVED.

REVISIONS				
P	LTR	DESCRIPTION	DATE	APVD
	A1	REVISED PER ECR-18-014360	26SEP2018	BDA KR

- 1 CONTINUOUS STRIP ON REELS WITH TERMINALS LOCATED ON 5.08±0.08 [.200±.003] CENTERS.
- 2 SLOT ACCEPTS A SINGLE OR DOUBLE WIRE OF SAME SIZE AND TYPE.  
 COPPER MAGNET WIRE:  
 DIA 0.18-0.23mm [#33-#31] AWG  
 ALUMINUM MAGNET WIRE:  
 DIA 0.23-0.29mm [#31-#29] AWG

IDENTIFICATION NUMBER 4 FOR MAGNET WIRE RANGE



BRASS	2238060-1
MATERIAL	PART NUMBER

THIS DRAWING IS A CONTROLLED DOCUMENT.		DWN JR RUTH 05AUG15	TE Connectivity	
DIMENSIONS: MM [INCHES]		CHK KURT A. RANDOLPH 05AUG15		
TOLERANCES UNLESS OTHERWISE SPECIFIED:		APVD KURT A. RANDOLPH 05AUG15	NAME TERMINAL, POSTED, 187 SERIES, MAG-MATE™	
0 PLC ± -		PRODUCT SPEC 108-2012	SIZE A3	
1 PLC ± -		APPLICATION SPEC 114-2069	CAGE CODE 00779	DRAWING NO C-2238060
2 PLC ± 0.25 [.010]		WEIGHT	RESTRICTED TO -	
3 PLC ± -		MATERIAL SEE TABLE	SCALE 8:1	
4 PLC ± -			SHEET 1 OF 1	
ANGLES ± -		FINISH TIN PLATE		REV A1
MATERIAL SEE TABLE		CUSTOMER DRAWING		

# Mouser Electronics

Authorized Distributor

Click to View Pricing, Inventory, Delivery & Lifecycle Information:

[TE Connectivity:](#)

[2238060-1](#)