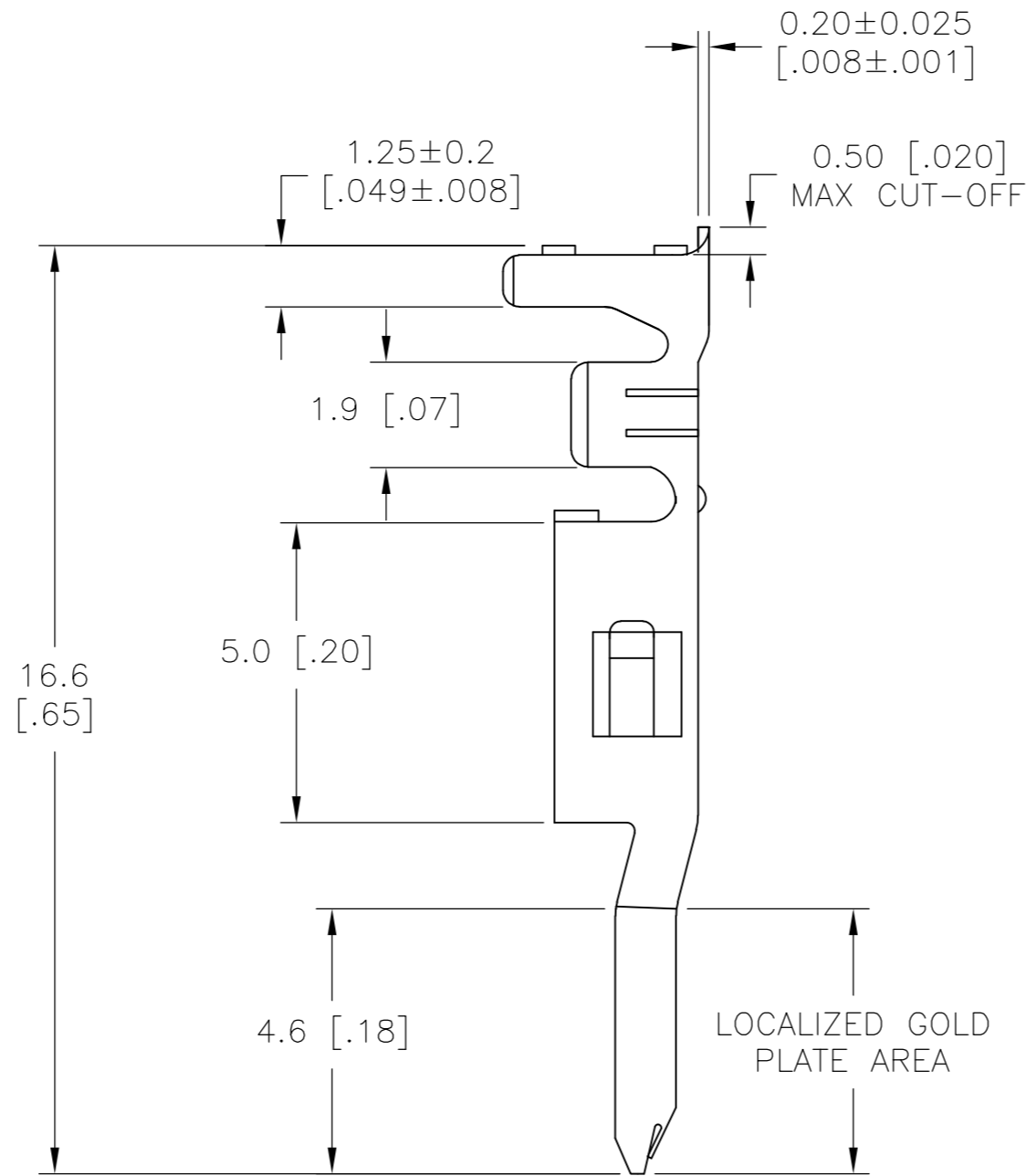
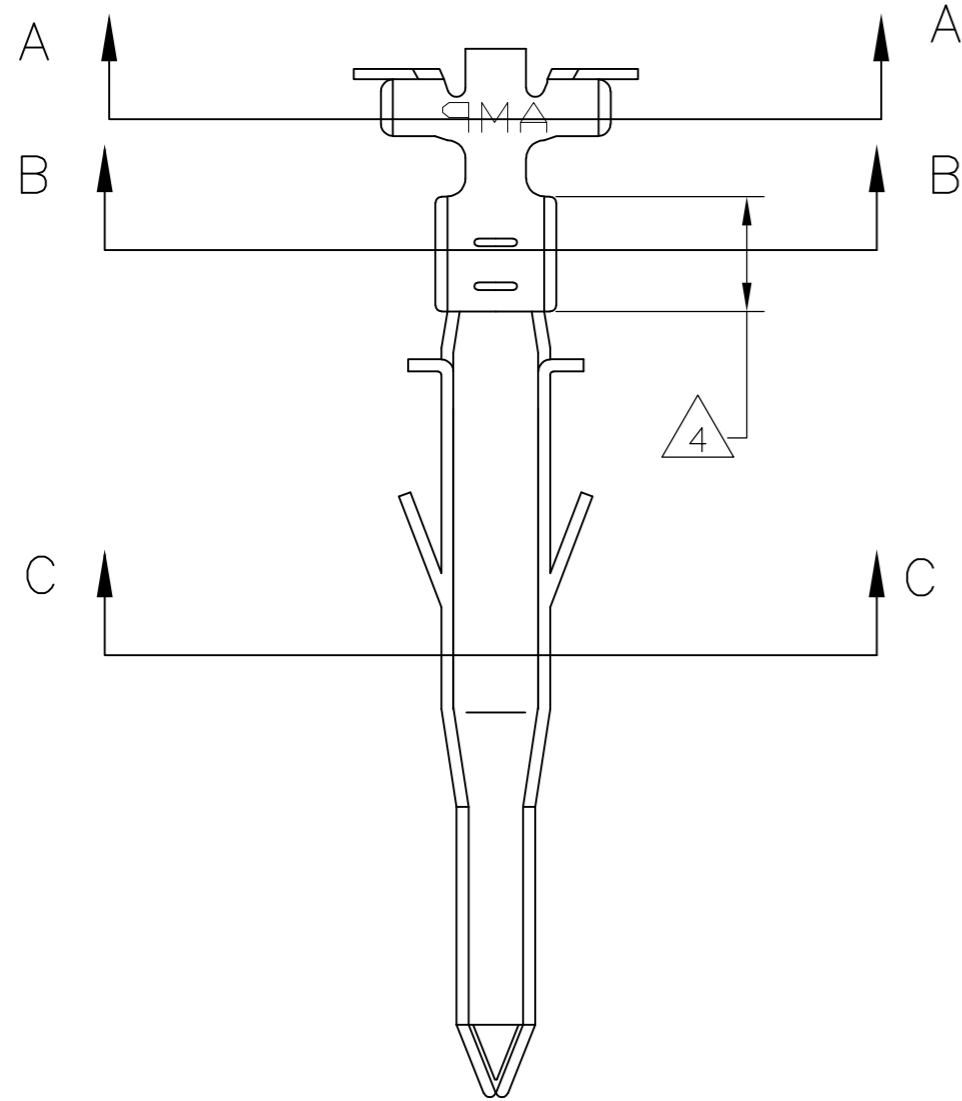
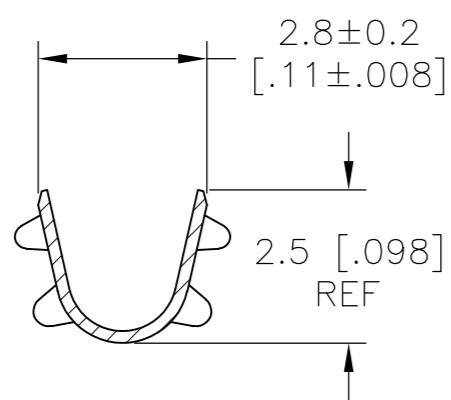


THIS DRAWING IS UNPUBLISHED. RELEASED FOR PUBLICATION
 © COPYRIGHT - By - ALL RIGHTS RESERVED.

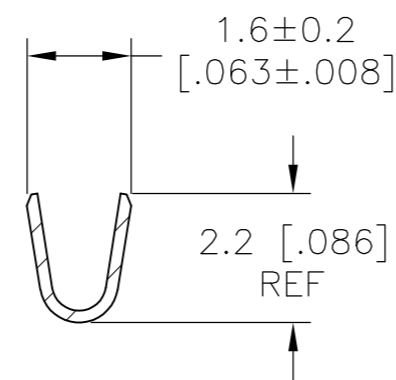
LOC		DIST		REVISIONS			
P	LTR	DESCRIPTION		DATE	DWN	APVD	
-	-	A		RELEASED PER ECO-14-006097	24APR14	JR	KR



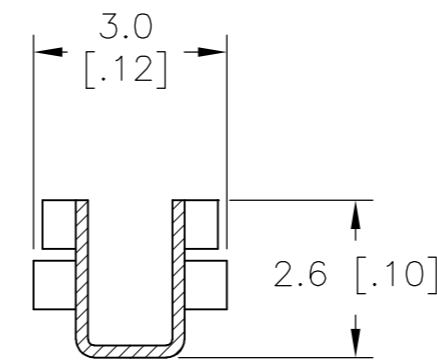
- 1 WIRE RANGE 0.13-0.3mm² [26-22 AWG]
- 2 INSULATION RANGE 1.20-1.75 [.048-.069]
- △3 FINISH: 0.76um MIN GOLD OVER 1.27um MIN NICKEL REQUIRED ON INNER SURFACE, PERMITTED ON OUTER SURFACE.
- △4 FINISH: 2.54um MIN PRE-TIN ON ALL SURFACES IN THIS AREA.
- △5 FINISH: 2.54um MIN PRE-TIN ALL OVER
- △6 PRELIMINARY - NOT FOR PRODUCTION



SECTION A-A



SECTION B-B



SECTION C-C

GOLD △3 △4	PHOS BRONZE	△6 2238022-4
PRE-TIN △5	PHOS BRONZE	△6 2238022-3
GOLD △3 △4	BRASS	△6 2238022-2
PRE-TIN △5	BRASS	2238022-1
FINISH	MATERIAL	PART NO.

THIS DRAWING IS A CONTROLLED DOCUMENT.		DWN JR RUTH 25FEB14	TE Connectivity	
DIMENSIONS: mm [INCHES]		CHK K RANDOLPH 25FEB14		
TOLERANCES UNLESS OTHERWISE SPECIFIED:		APVD K RANDOLPH 25FEB14	NAME PIN TERMINAL, VAL-U-LOK, LOOSE PIECE	
0 PLC ± -		PRODUCT SPEC	SIZE A2	
1 PLC ± -		APPLICATION SPEC	CAGE CODE 00779	
2 PLC ± 0.10 [.004]		WEIGHT	DRAWING NO C=2238022	
3 PLC ± -		RESTRICTED TO	SCALE 8:1	
4 PLC ± -			SHEET 1 OF 1	
ANGLES ± -			REV A	
FINISH SEE TABLE		CUSTOMER DRAWING		

Mouser Electronics

Authorized Distributor

Click to View Pricing, Inventory, Delivery & Lifecycle Information:

[TE Connectivity:](#)

[2238022-1](#)