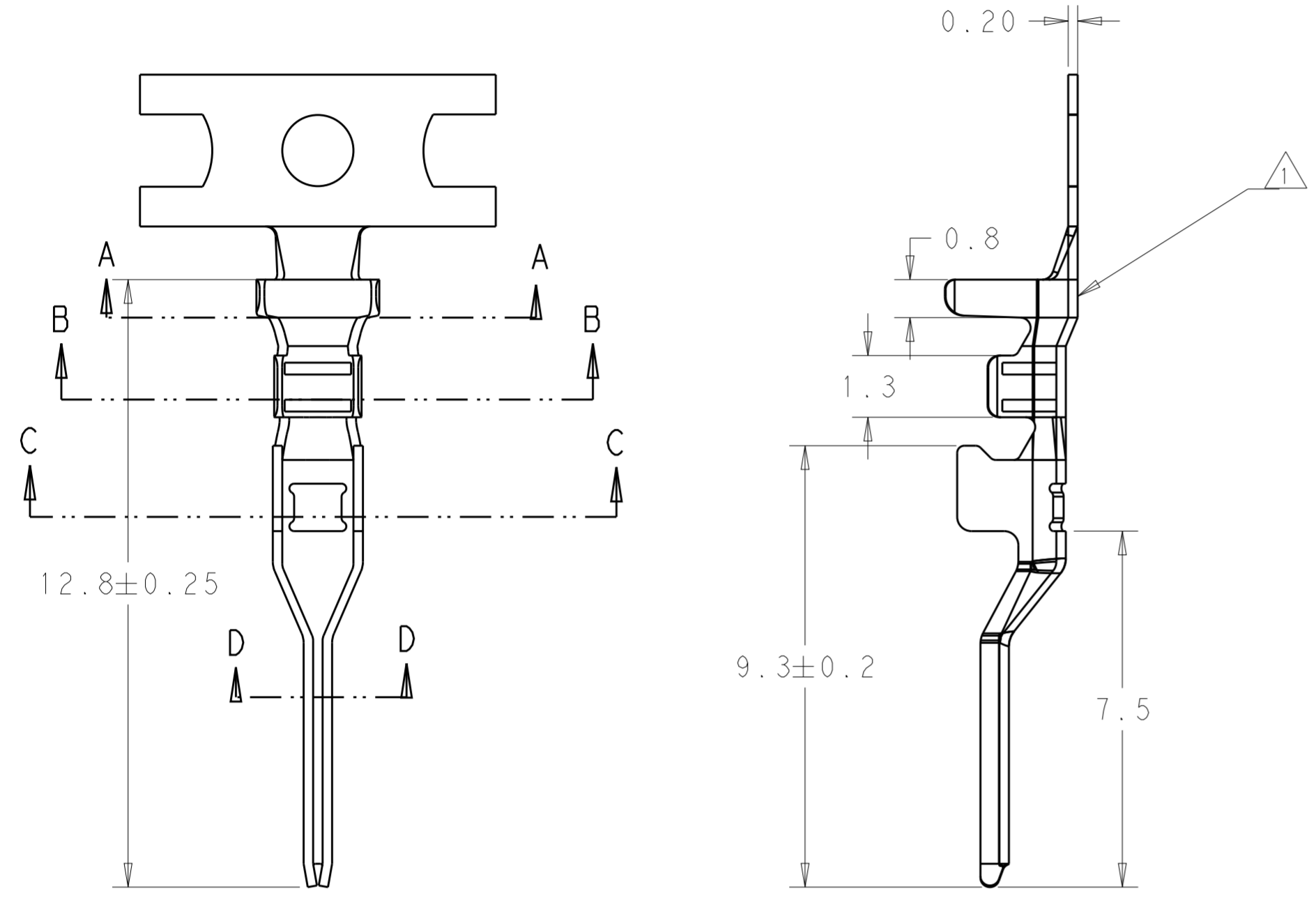
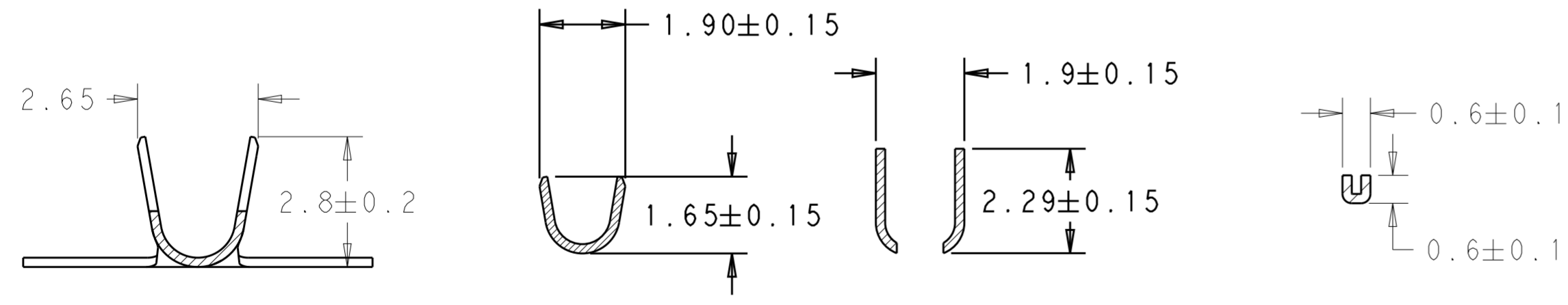
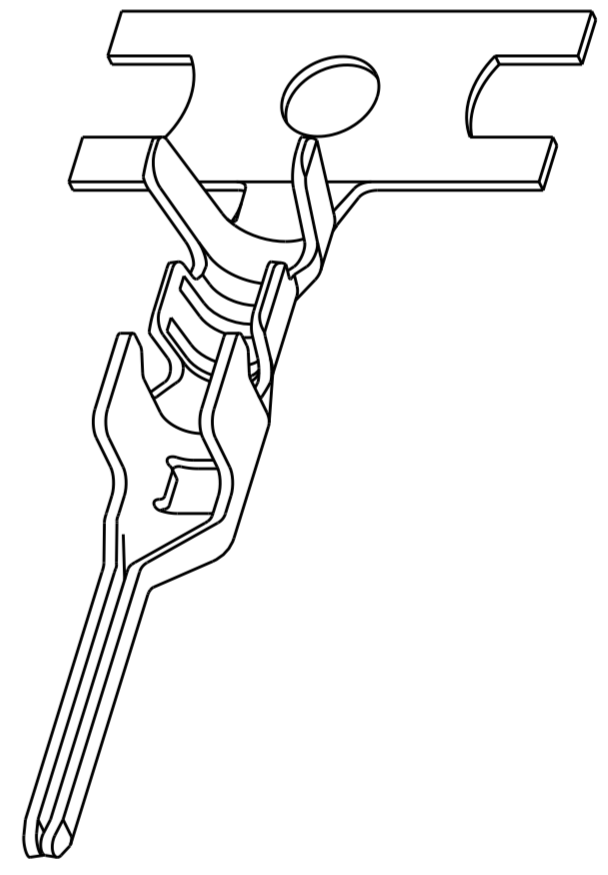


THIS DRAWING IS UNPUBLISHED. RELEASED FOR PUBLICATION 20
 © COPYRIGHT 20 BY - ALL RIGHTS RESERVED.

LOC		DIST		REVISIONS			
P	LTR	DESCRIPTION	DATE	DWN	APVD		
-	-	B	REVISED PER ECR-16-011195	09AUG16	O.C	D.Z	



- 1. TE LOGO.
- 2. QUANTITY PER REEL: 8000 PIECES.
- 3. CONTACT IS RoHS COMPLIANT.
- 4. WIRE RANGE: 22-26 AWG.
- 5. INSULATION RANGE: 1.3-1.7.



SECTION A-A SECTION B-B SECTION C-C SECTION D-D

TIN OVER NICKEL	BRASS	2238007-1
FINISH	MATERIAL	PART NO.

THIS DRAWING IS A CONTROLLED DOCUMENT.		DWN S. EDWARDS 14DEC2012	TE Connectivity	
DIMENSIONS: mm		CHK - 14DEC2012		
TOLERANCES UNLESS OTHERWISE SPECIFIED:		APVD - 14DEC2012	NAME TERMINAL, PIN ECONOMY POWER 2.5	
0 PLC ± 1 PLC ±0.5 2 PLC ±0.13 3 PLC ±0.013 4 PLC ±0.001		PRODUCT SPEC 108-2418	SIZE A200779	
MATERIAL SEE TABLE		FINISH SEE TABLE	DRAWING NO C-2238007	
		WEIGHT -	RESTRICTED TO -	
		Customer Drawing	SCALE 9:1	SHEET 1 OF 1
			REV B	

Mouser Electronics

Authorized Distributor

Click to View Pricing, Inventory, Delivery & Lifecycle Information:

[TE Connectivity:](#)

[2238007-1](#)