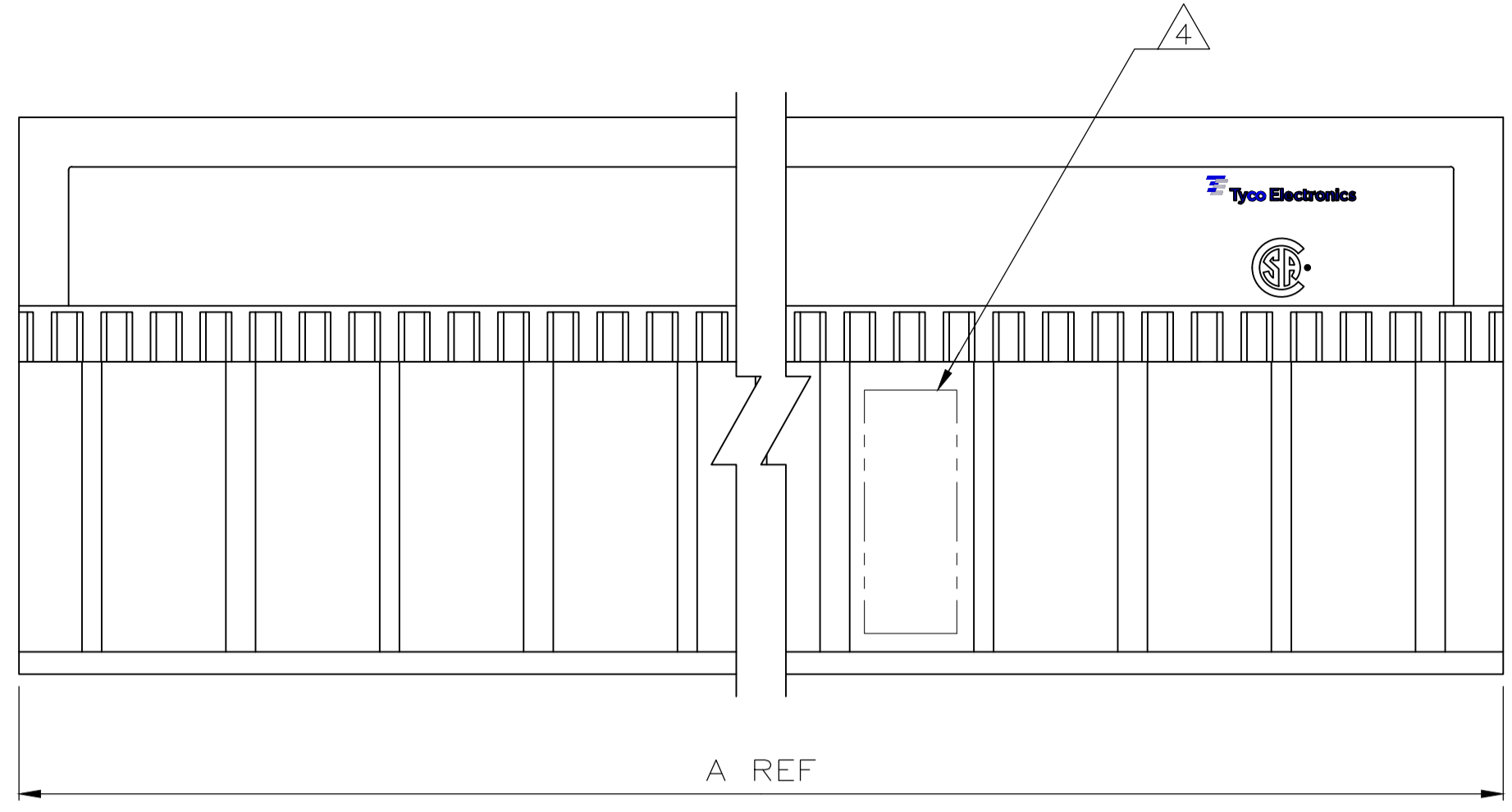
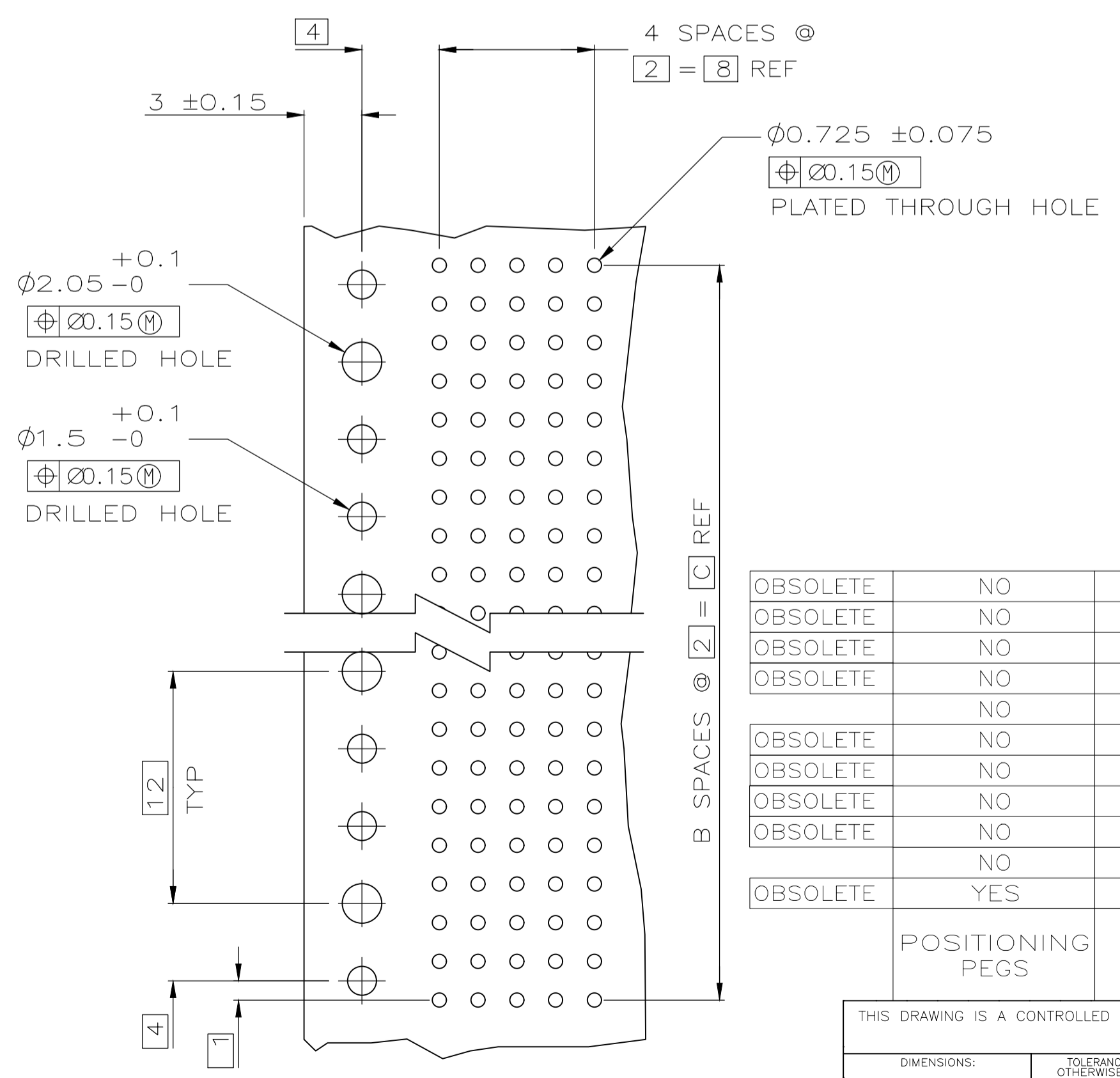
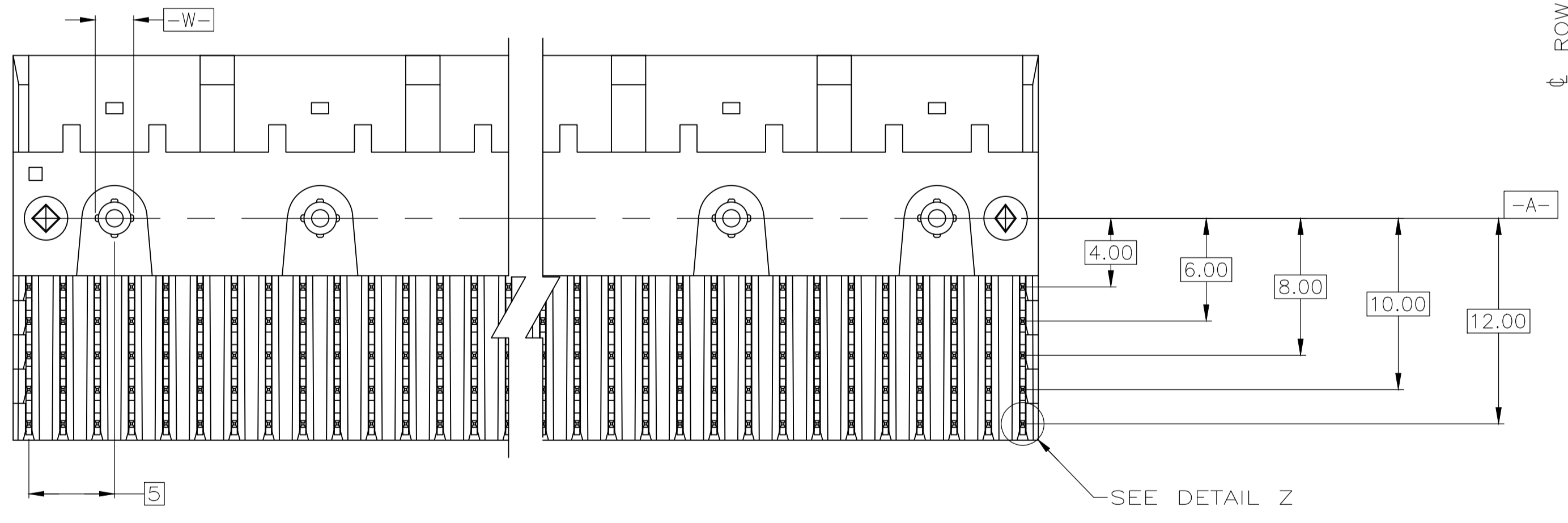
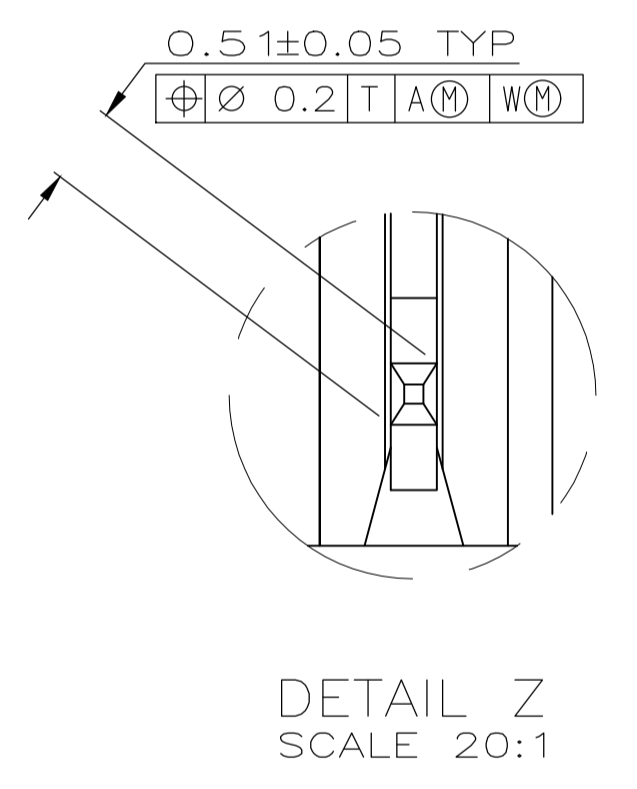
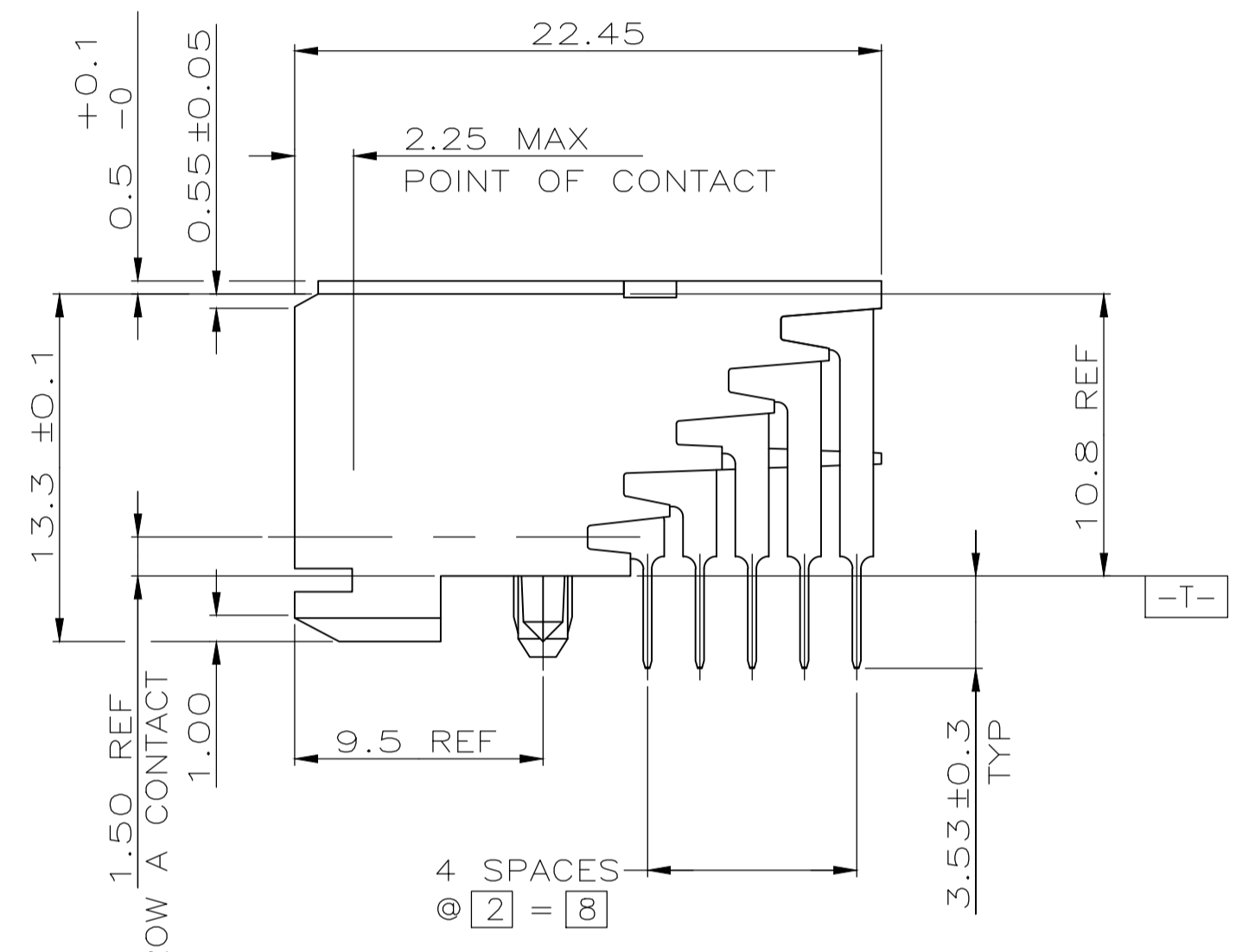
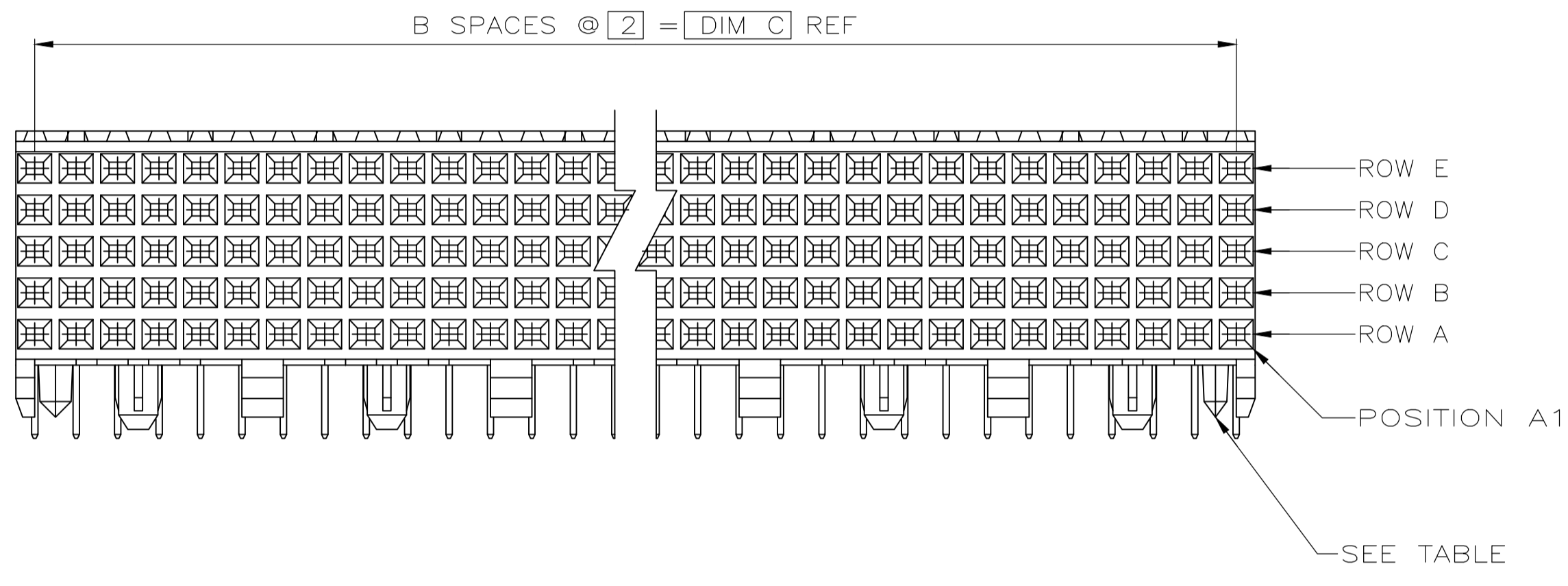


REVISIONS					
P	LTR	DESCRIPTION	DATE	DMN	APVD
M3	REVISED PER	ECO-20-013368	28SEP2020	RZ	HL



- △ HOUSING MATERIAL: LIQUID CRYSTAL POLYMER
COLOR: NATURAL.
- △ CONTACT MATERIAL: PHOSPHOR-BRONZE.
- △ CONTACT FINISH:
UNDERPLATE (ENTIRE CONTACT):
0.00127 MIN NICKEL.
ON MATING SURFACES:
CONFORMS TO ALL TESTING SPECIFIED FOR TELCORDIA
UNCONTROLLED ENVIRONMENT.
ON LEADS
0.00381 MIN TIN-LEAD OVER UNDERPLATE.
LUBRICATION (ENTIRE CONTACT):
SURFACE CONDITIONER PER AMP SPEC 112-1002 AFTER PLATING.
- △ PART MARKING LOCATED APPROXIMATELY AS SHOWN.
- △ OBSOLETE PARTS: OBSOLETE CIS STREAMLINING PER D.RENAUD/D.SINISI



OBSOLETE	NO	130	65	131.88	△	330	△	4-223007-1
OBSOLETE	NO	118	59	119.88	△	300	△	1-223007-0
OBSOLETE	NO	106	53	107.88	△	270	△	223007-9
OBSOLETE	NO	94	47	95.88	△	240	△	223007-8
	NO	82	41	83.88	△	210	△	223007-7
OBSOLETE	NO	70	35	71.88	△	180	△	223007-6
OBSOLETE	NO	58	29	59.88	△	150	△	223007-5
OBSOLETE	NO	46	23	47.88	△	120	△	223007-4
OBSOLETE	NO	34	17	35.88	△	90	△	223007-3
	NO	22	11	23.88	△	60	△	223007-2
OBSOLETE	YES	10	5	11.88	△	30	△	223007-1

POSITIONING PEGS	C	B	A	FINISH	NO OF SIGNAL POSN	PART NUMBER

THIS DRAWING IS A CONTROLLED DOCUMENT.		DIN R BUCHHEISTER 08/FEB/96	 TE Connectivity
DIMENSIONS: mm		CHK D BAECHTLE 08/FEB/96	
TOLERANCES UNLESS OTHERWISE SPECIFIED:		APVD D SINISI 08/FEB/96	NAME
0 PLC ± -			ASSEMBLY, RECEPTACLE, SIGNAL, RIGHT ANGLE,
1 PLC ± -			Z-PACK 2mm FB, 5 ROW, SOLDER LEAD
2 PLC ± 0.13			PRODUCT SPEC
3 PLC ± -			APPLICATION SPEC
4 PLC ± -			SIZE
ANGLES ± -			CAGE CODE
MATERIAL	FINISH	WEIGHT	DRAWING NO
		0.000000	A1 00779 C=223007
		CUSTOMER DRAWING	RESTRICTED TO
		SCALE 4:1	SHEET 1 of 1
			REV M3

RECOMMENDED CIRCUIT PATTERN
PER IPC-D300 TYPE II, CLASS C
(COMPONENT SIDE)

Mouser Electronics

Authorized Distributor

Click to View Pricing, Inventory, Delivery & Lifecycle Information:

[TE Connectivity:](#)

[223007-2](#)