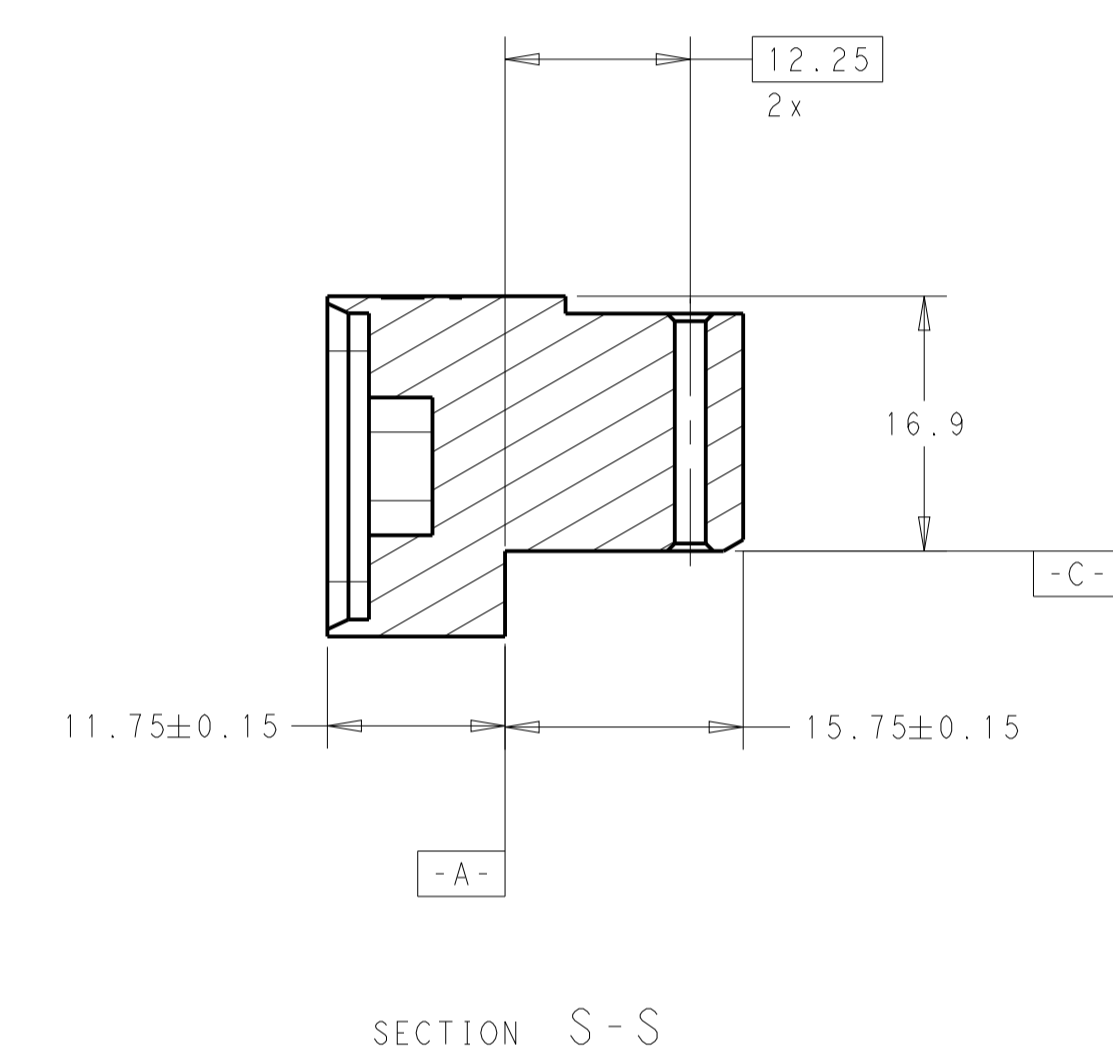
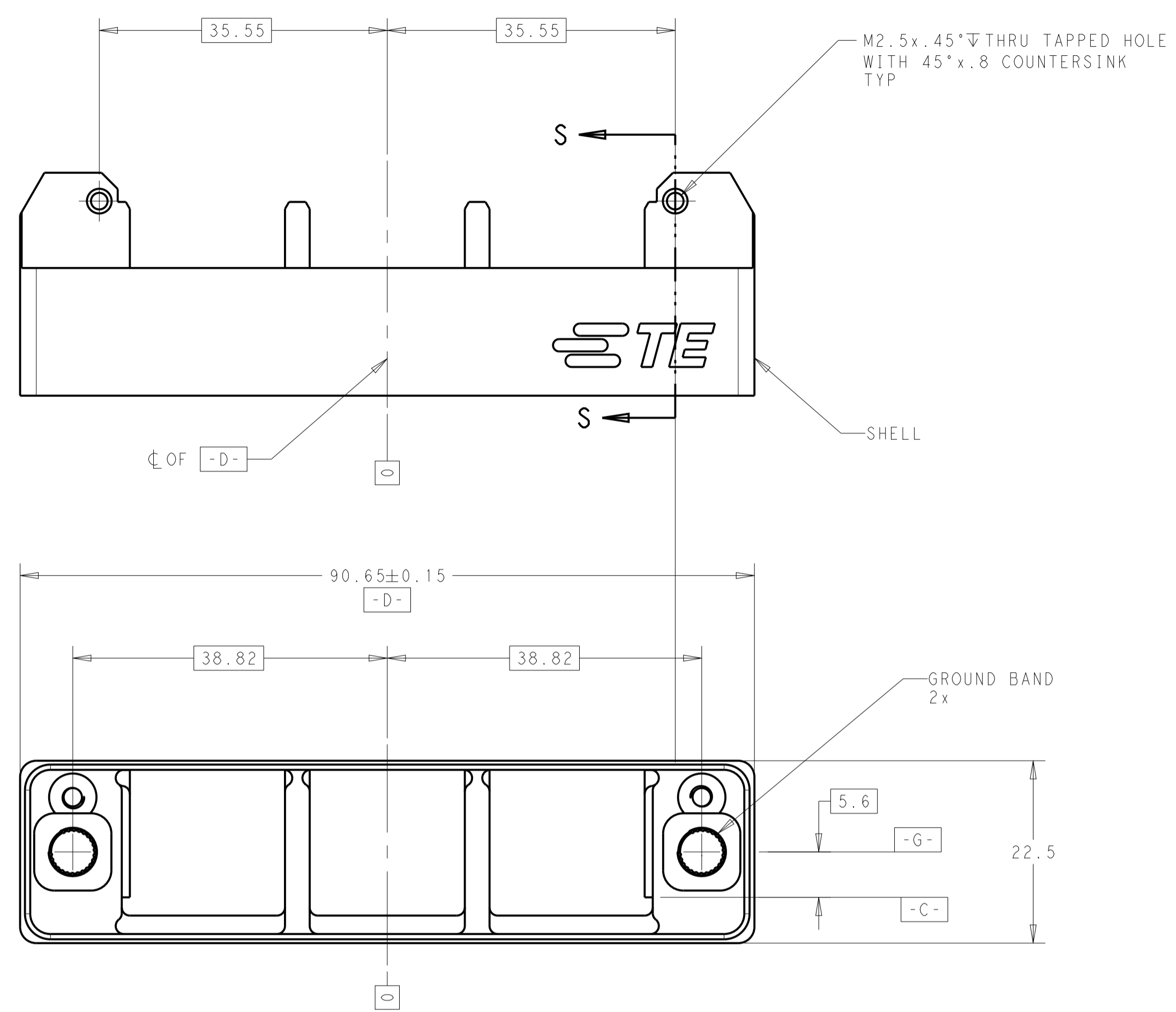
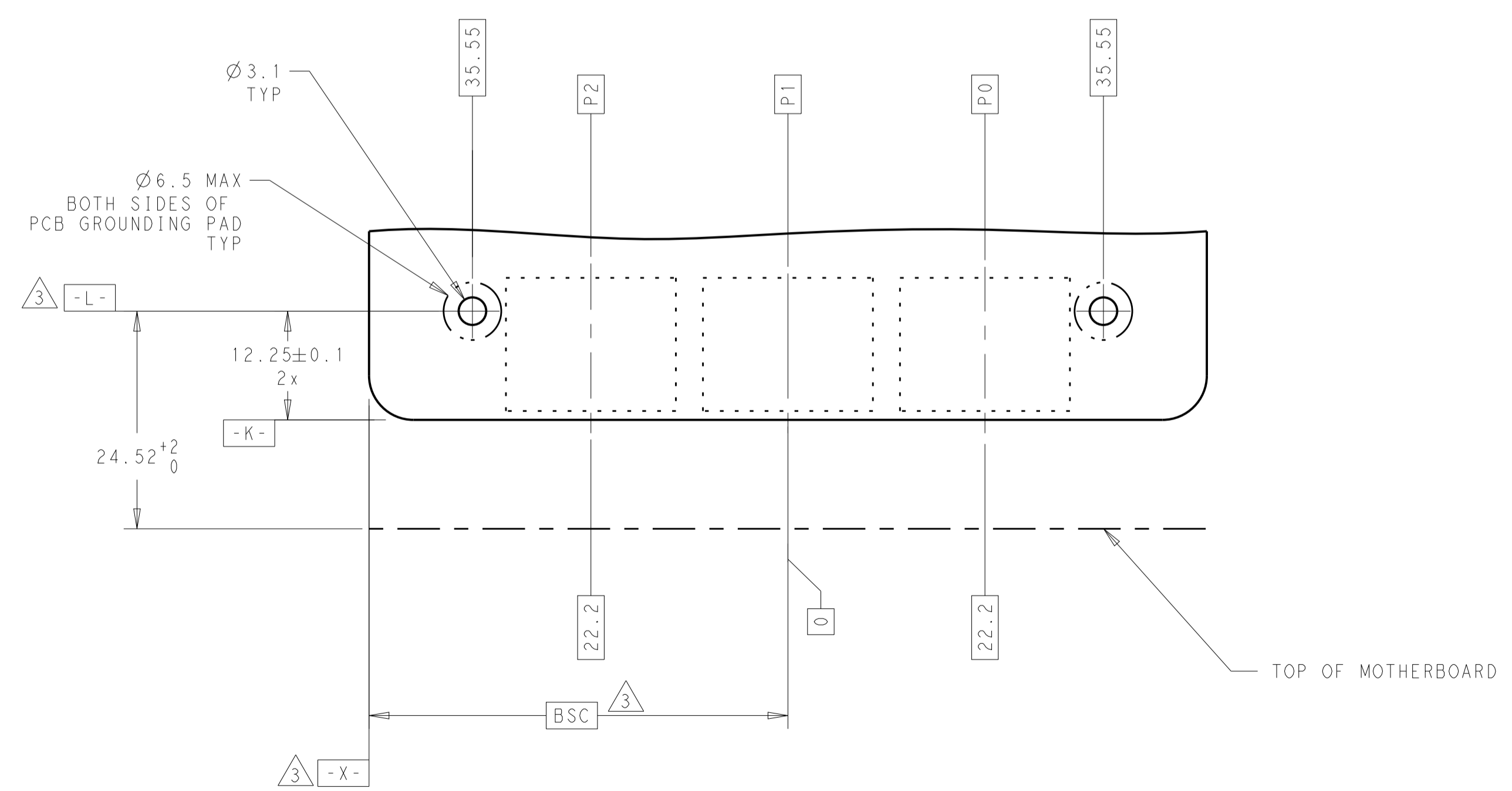


REVISIONS				
P.	LTN	DESCRIPTION	DATE	APPV
A		RELEASED PER ECO 14-016072	11-6-14	CT DH



2226783-1 SHOWN



- 1 MATERIAL:
SHELL: ALUMINUM ALLOY
GROUND BANDS: COPPER ALLOY
- 2 FINISH:
SHELL: TRIVALENT CHROMATE, 96 HOUR SALT SPRAY CAPABLE.
GROUND BANDS: 0.25µm MIN GOLD OVER NICKEL
- 3 DATUMS AND BASIC DIMENSIONS ESTABLISHED BY CUSTOMER.

SIZE	CAGE CODE	DRAWING NO	RESTRICTED TO
65.5	4	8	2226783-5
58.8	3	8	2226783-4
66.1	4	9	2226783-3
38.3	2	4	2226783-2
33.9	2	3	2226783-1
APPROX. WEIGHT g	SHELL TO PCB MOUNTING POINTS	# OF BAYS	PART NUMBER

PCB INSERT LOCATIONS

THIS DRAWING IS A CONTROLLED DOCUMENT. DWN D. BELACK 25NOV2013
 CHK K. THACKSTON 11-25-13
 APPV M. McALONIS 11-25-13

STE TE Connectivity

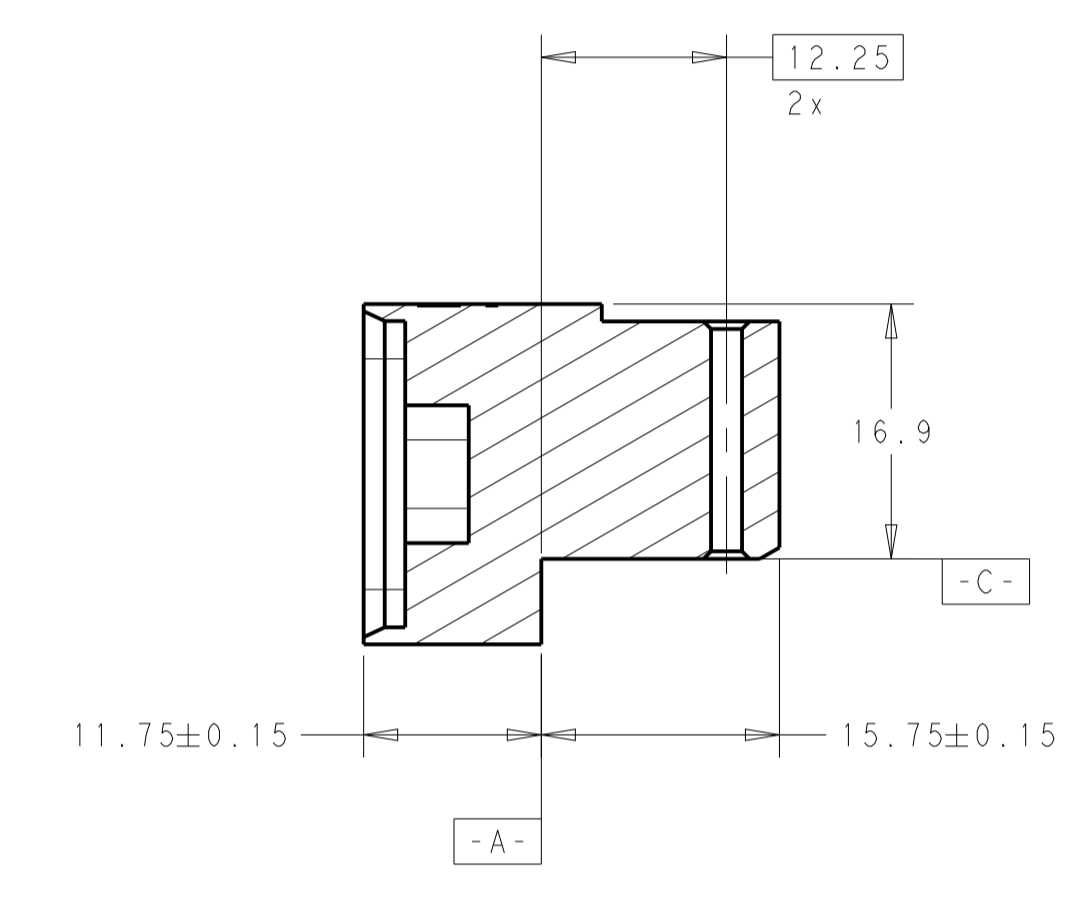
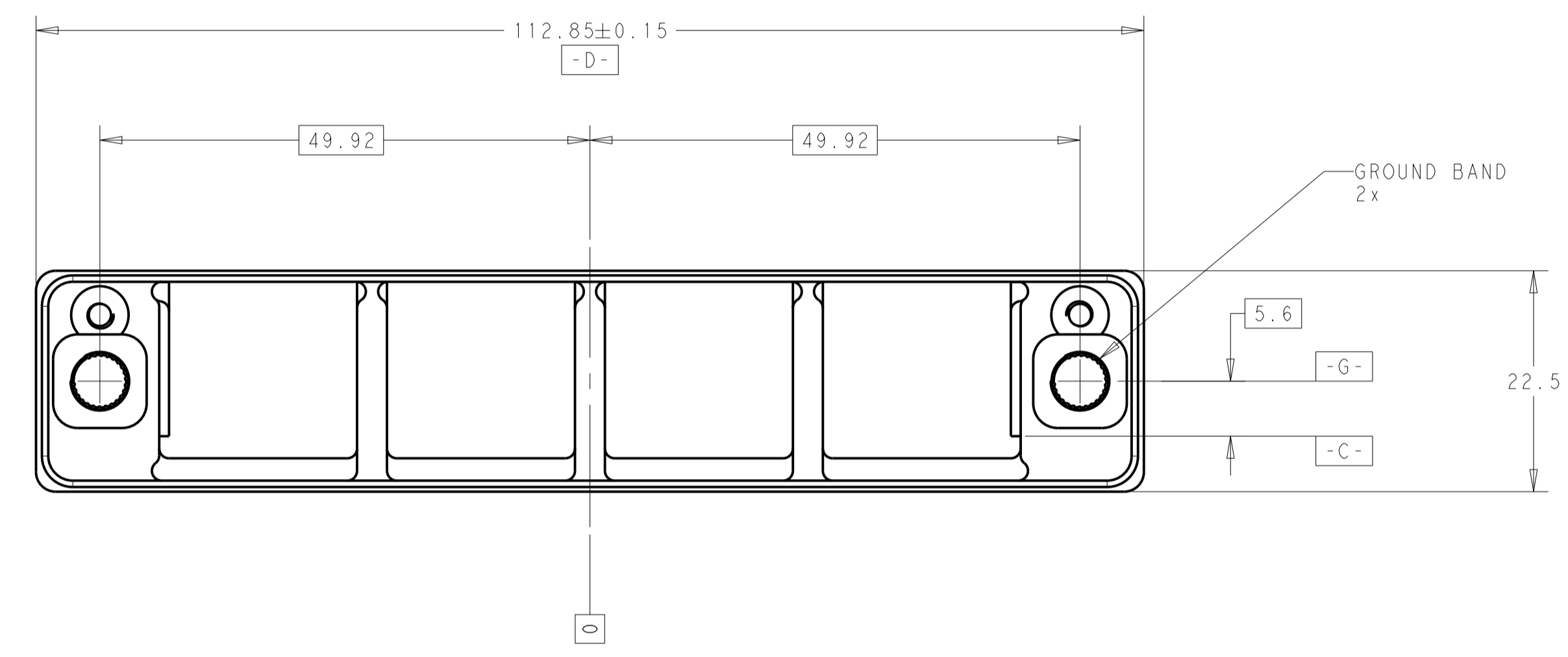
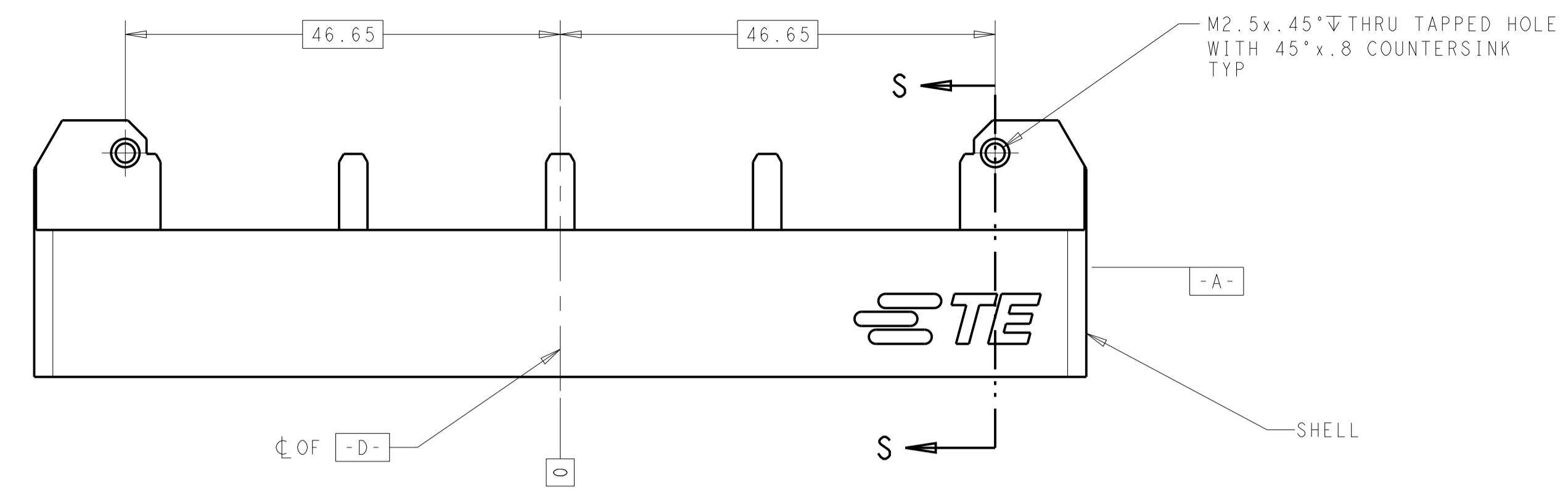
NAME: Fortis Zd LRM, DAUGHTER CARD, RIGHT ANGLE, SHELL ASSEMBLY

PRODUCT SPEC: 108-2474
 APPLICATION SPEC: 408-10464

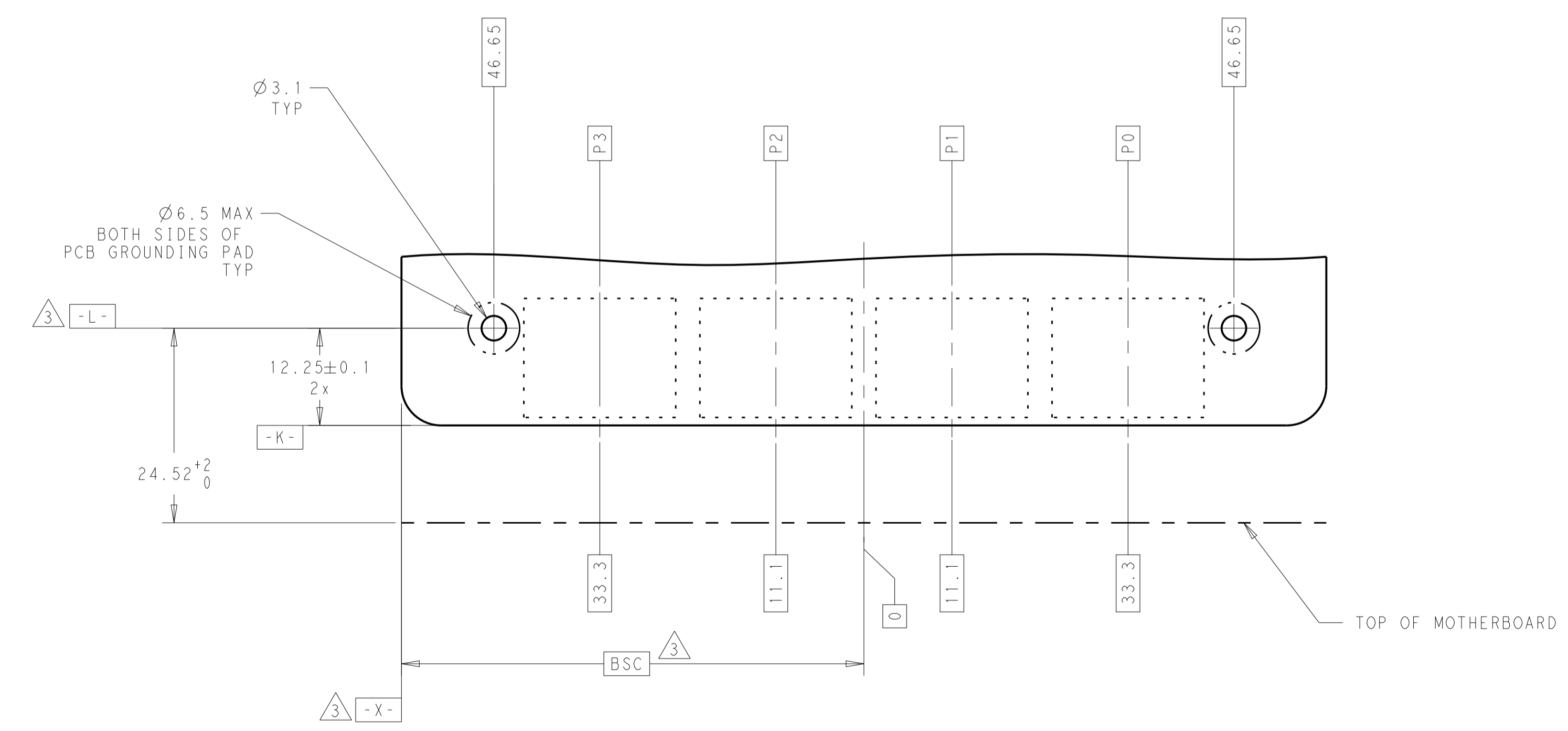
MATERIAL: 1
 FINISH: 2

Customer Drawing SCALE 2:1 SHEET 1 OF 5 REV A

REVISIONS				
P.	LTN	DESCRIPTION	DATE	APVD
-	SEE SHEET 1			



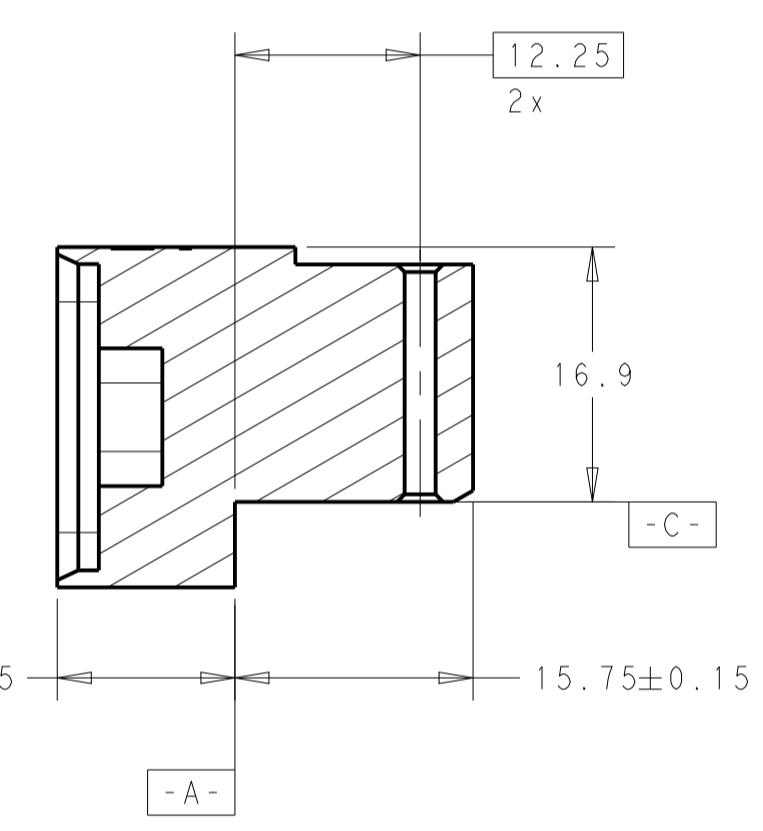
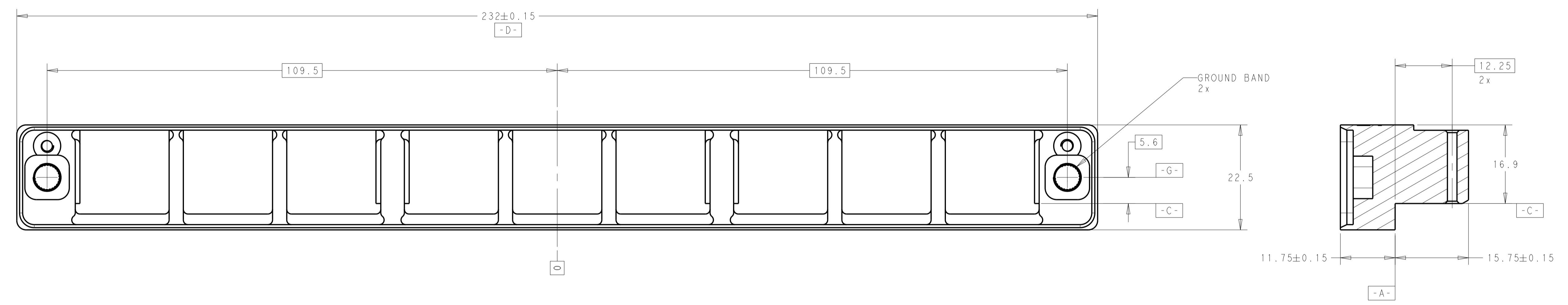
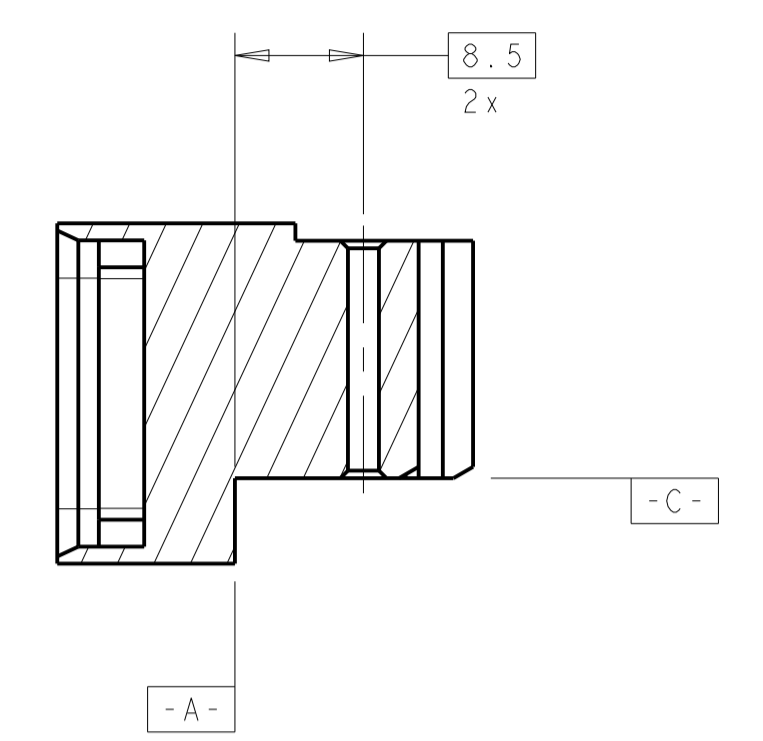
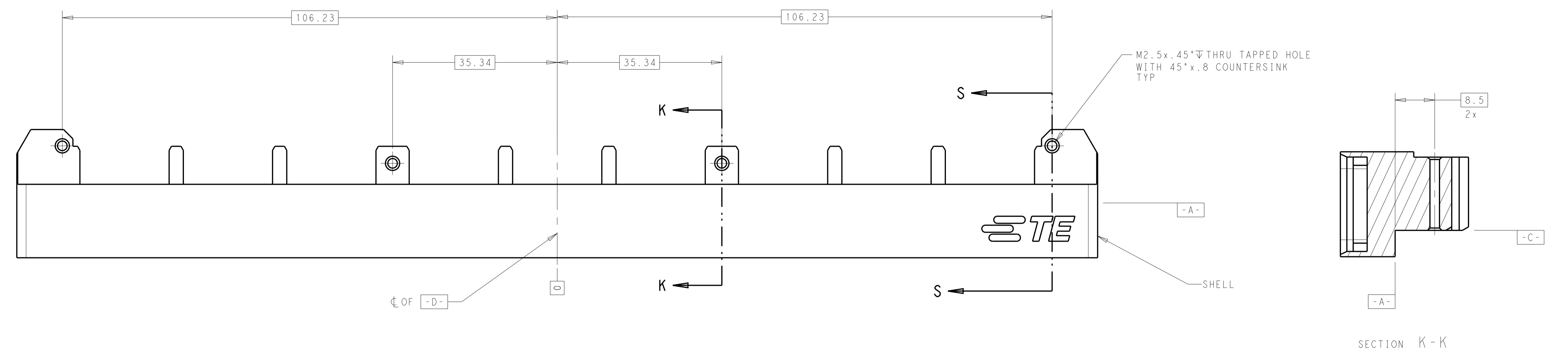
2226783-2 SHOWN



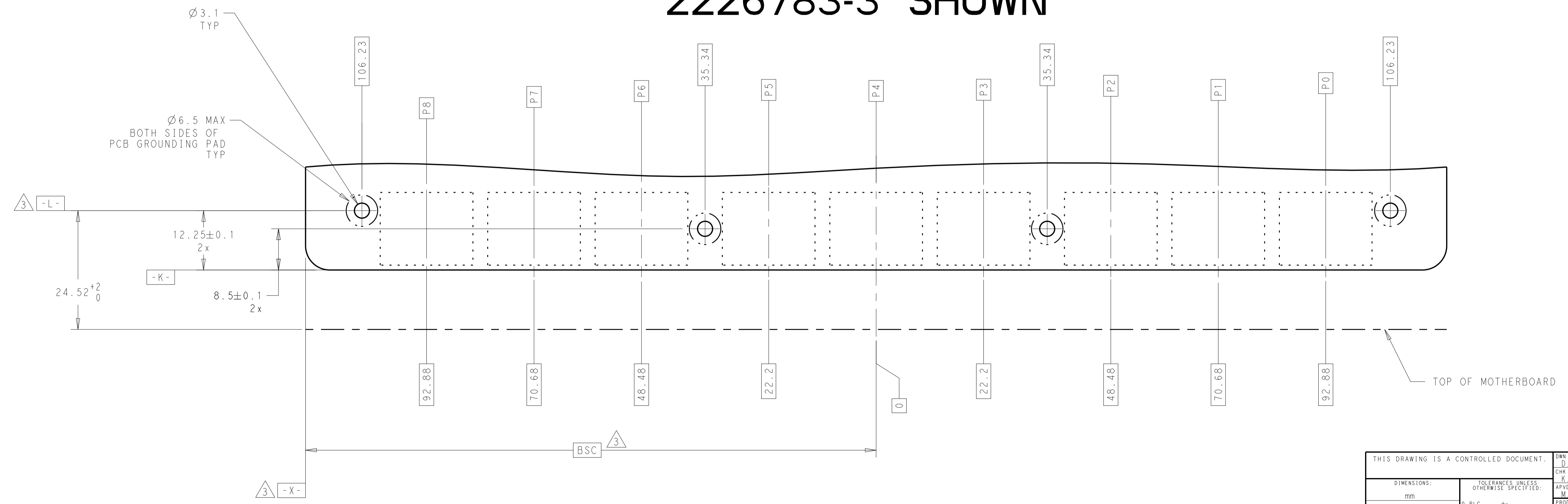
PCB INSERT LOCATIONS

THIS DRAWING IS A CONTROLLED DOCUMENT.		DWN D. BELACK	25NOV2013	
DIMENSIONS: mm		CHK K. THACKSTON	11-25-13	
		TOLERANCES UNLESS OTHERWISE SPECIFIED:		NAME Fortis Zd LRM, DAUGHTER CARD, RIGHT ANGLE, SHELL ASSEMBLY
		0 PLC ±.13 1 PLC ±0.05 2 PLC ±0.05 3 PLC ±0.05 4 PLC ±.025 ANGLES ±.2°		PRODUCT SPEC 108-2474 APPLICATION SPEC 408-10464
MATERIAL		WEIGHT		SIZE A1
FINISH		Customer Drawing		RESTRICTED TO -
SCALE 1:1				SHEET 2 OF 5
REV A				

REVISIONS				
P.	LTN.	DESCRIPTION	DATE	APPD.
-	-	SEE SHEET 1	-	-



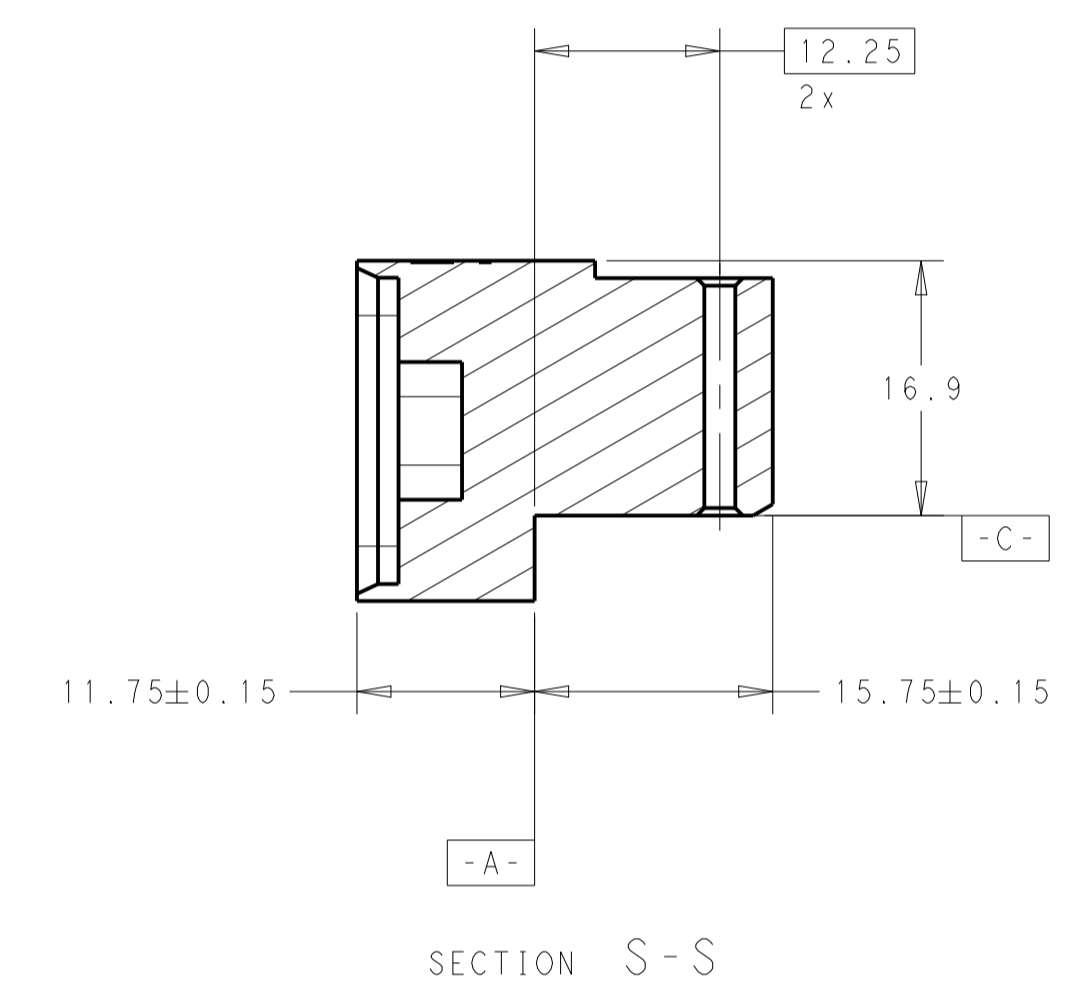
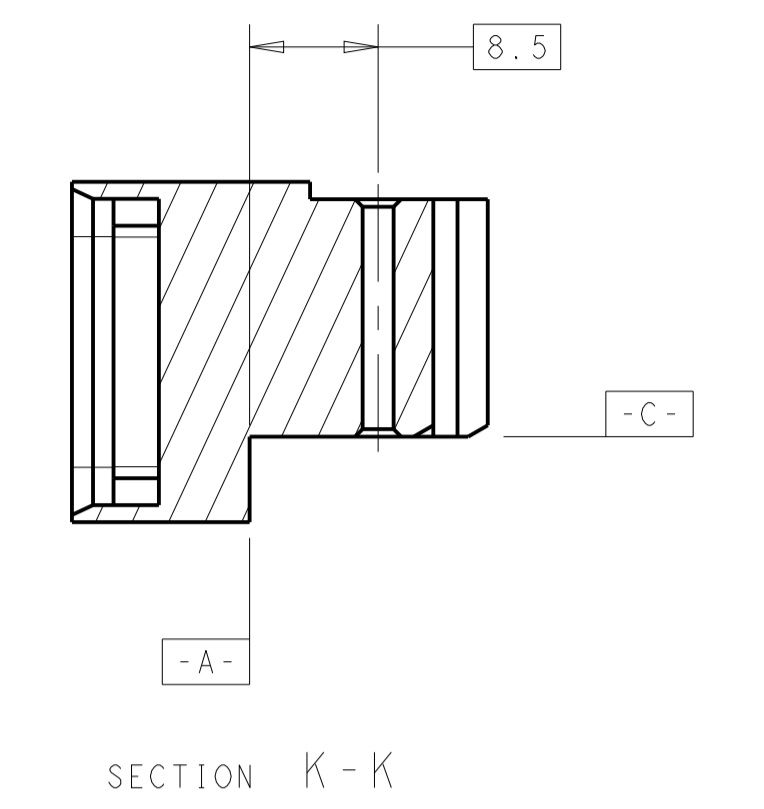
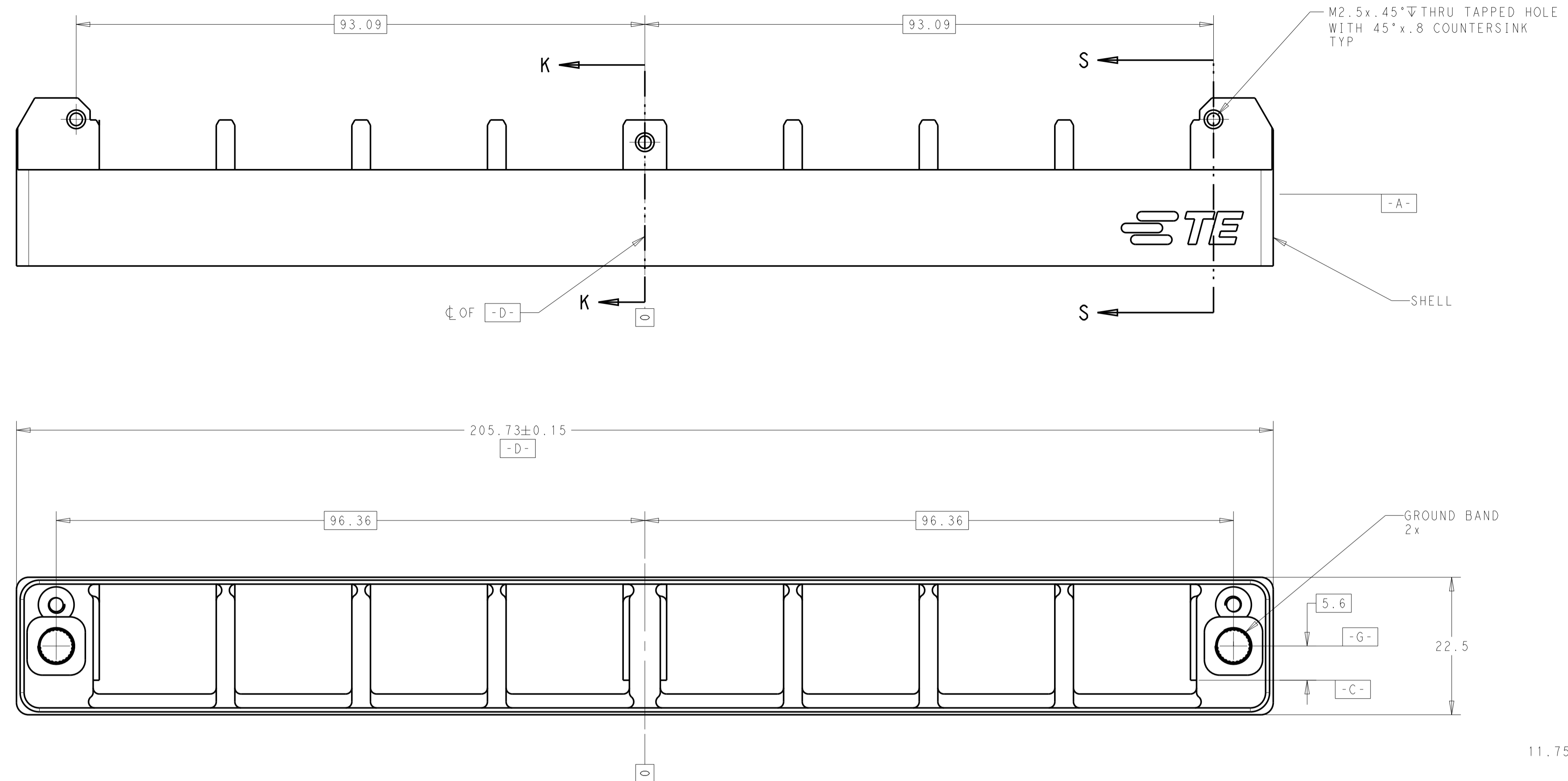
2226783-3 SHOWN



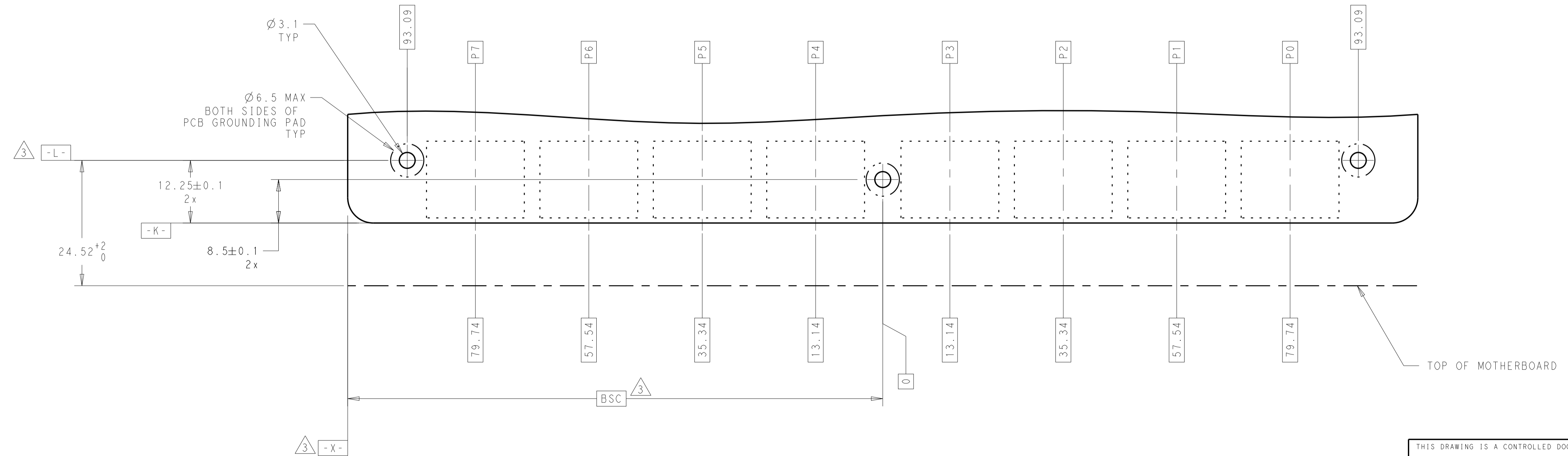
PCB INSERT LOCATIONS

THIS DRAWING IS A CONTROLLED DOCUMENT.		DWN: D. BELACK 25NOV2013	TE Connectivity
DIMENSIONS: mm		CHK: K. THACKSTON 11-25-13	
TOLERANCES UNLESS OTHERWISE SPECIFIED:		APVD: M. McALONIS 11-25-13	NAME: Fortis Zd LRM, DAUGHTER CARD, RIGHT ANGLE, SHELL ASSEMBLY
0 PLC ±0.13	1 PLC ±0.05	2 PLC ±0.025	PRODUCT SPEC: 108-2474
3 PLC ±0.025	4 PLC ±0.025	5 PLC ±0.025	APPLICATION SPEC: 408-10464
MATERIAL: 1	FINISH: 2	WEIGHT: -	SIZE: A1
Customer Drawing		SCALE: 1:1	SHEET: 3 OF 5

REVISIONS				
P.	LTN.	DESCRIPTION	DATE	APVD.
-	-	SEE SHEET 1	-	-



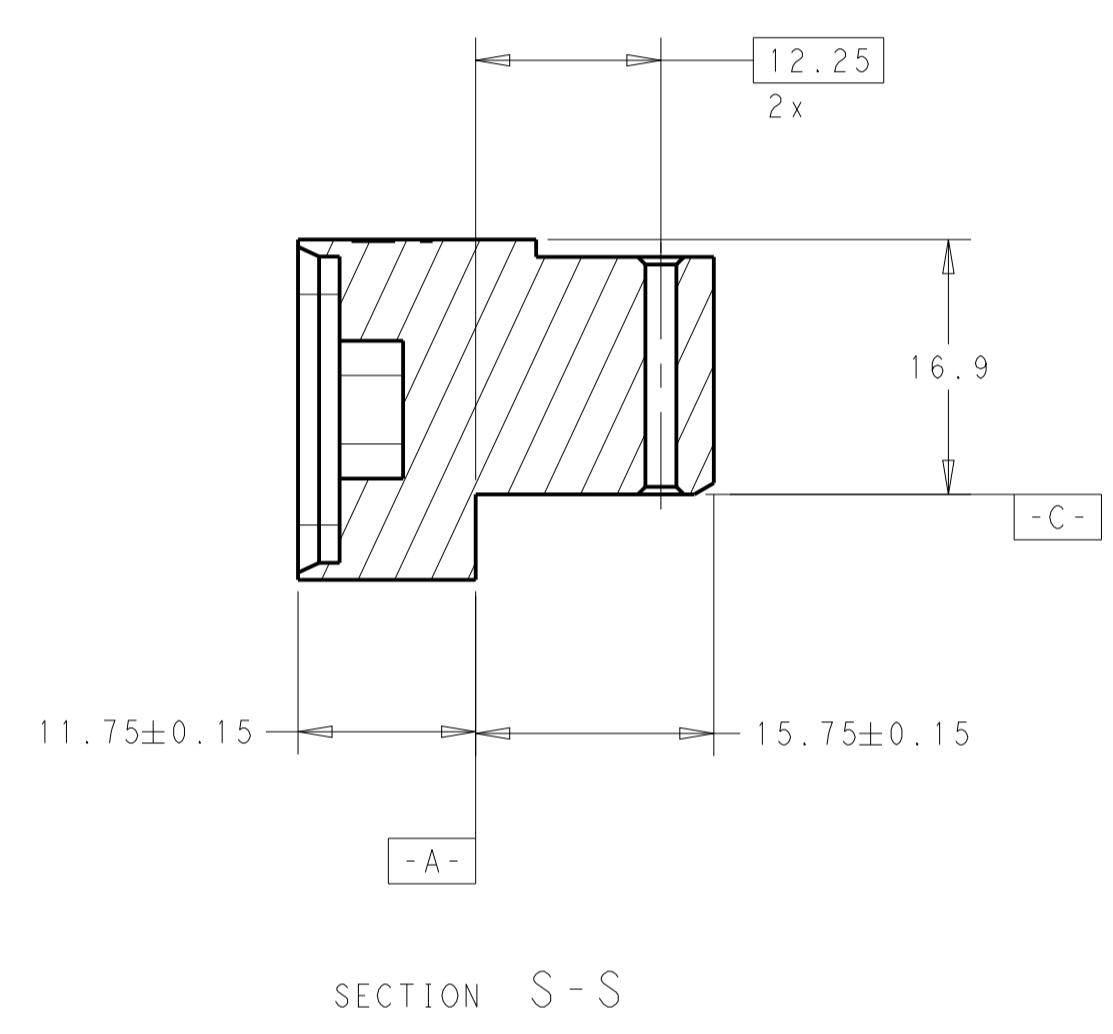
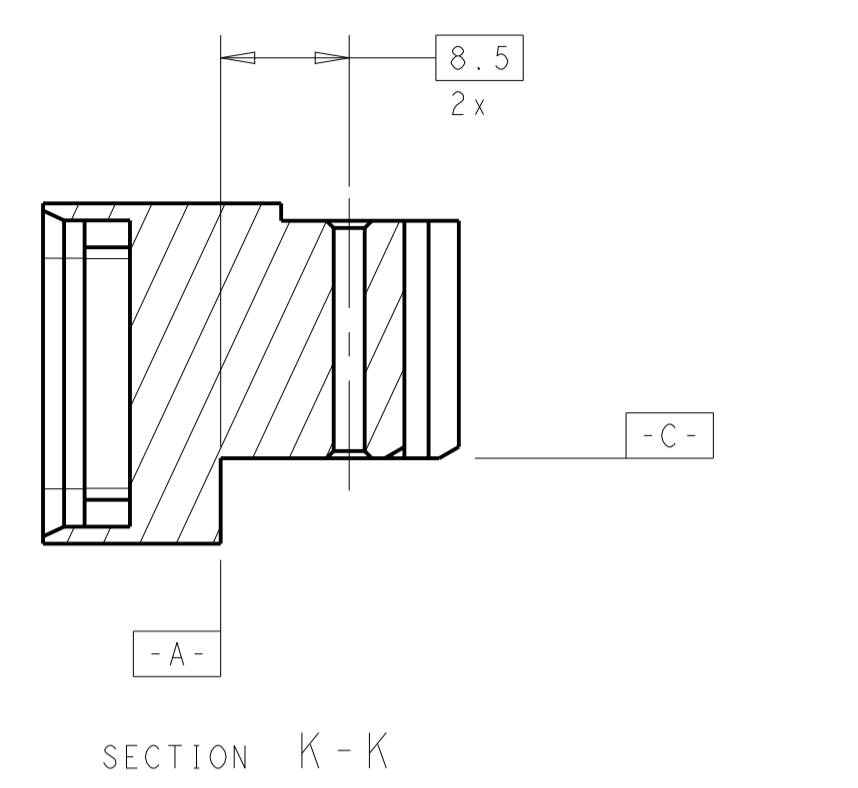
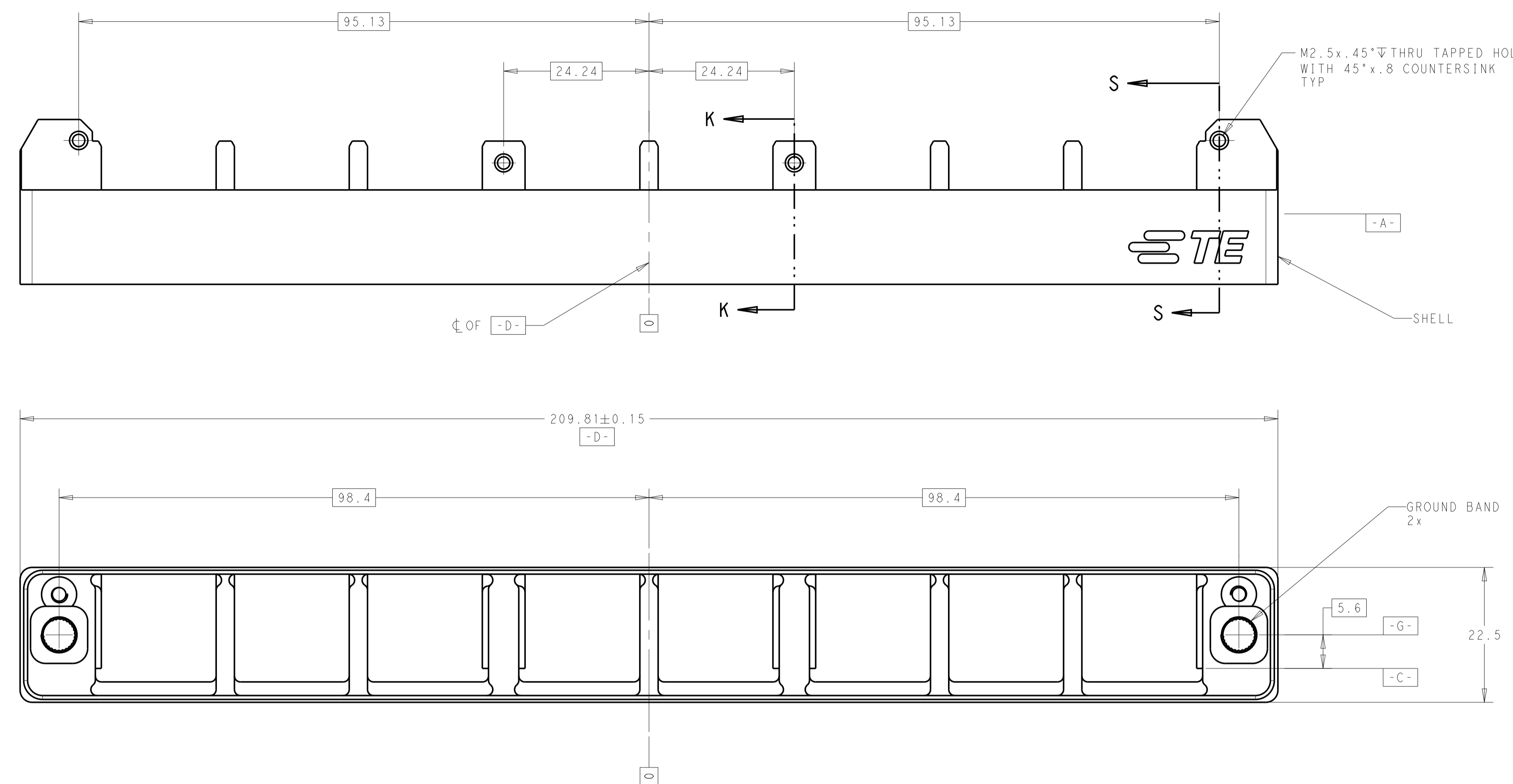
2226783-4 SHOWN



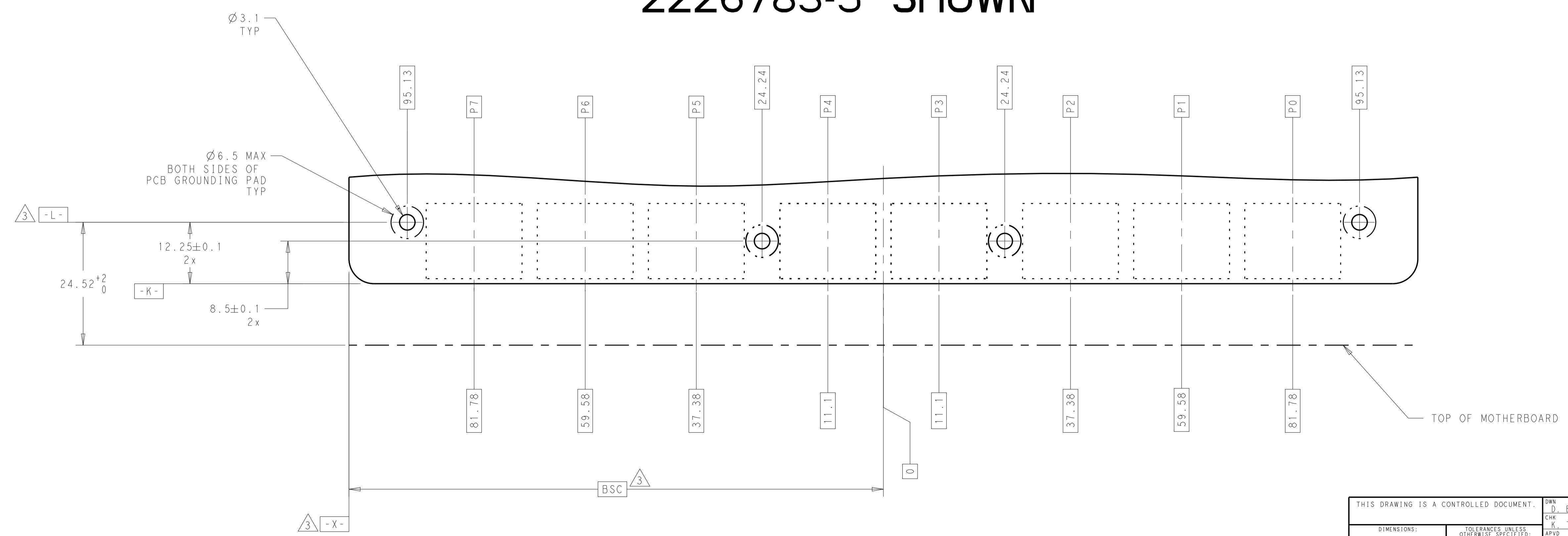
PCB INSERT LOCATIONS

THIS DRAWING IS A CONTROLLED DOCUMENT.		OWN: D. BELACK 25NOV2013	TE Connectivity
DIMENSIONS: mm		CHK: K. THACKSTON 11-25-13	
TOLERANCES UNLESS OTHERWISE SPECIFIED:		APVD: M. McALONIS 11-25-13	NAME: Fortis Zd LRM, DAUGHTER CARD, RIGHT ANGLE, SHELL ASSEMBLY
0 PLC ±0.13 2 PLC ±0.05 3 PLC ±0.025 4 PLC ±0.25 ANGLES ±2°	MATERIAL: 1 FINISH: 2	PRODUCT SPEC: 108-2474 APPLICATION SPEC: 408-10464 WEIGHT: - SCALE: 1:1	RESTRICTED TO: - SHEET 4 OF 5 REV A

REVISIONS				
P.	LTN	DESCRIPTION	DATE	APVD
-	-	SEE SHEET 1	-	-



2226783-5 SHOWN



PCB INSERT LOCATIONS

THIS DRAWING IS A CONTROLLED DOCUMENT.		OWN: D. BELACK 25NOV2013	TE Connectivity Fortis Zd LRM, DAUGHTER CARD, RIGHT ANGLE, SHELL ASSEMBLY
DIMENSIONS: mm		CHK: K. THACKSTON 11-25-13	
TOLERANCES UNLESS OTHERWISE SPECIFIED:		APVD: M. McALONIS 11-25-13	NAME: PRODUCT SPEC
0 PLC ±.13 1 PLC ±0.05 2 PLC ±0.05 3 PLC ±0.025 4 PLC ±.05 ANGLES ±2°		PRODUCT NO: 108-2474	APPLICATION SPEC
MATERIAL: FINISH:		WEIGHT: 408-10464	SIZE: A1
Customer Drawing		SCALE: 2:1	SHEET 5 OF 5 REV A

Mouser Electronics

Authorized Distributor

Click to View Pricing, Inventory, Delivery & Lifecycle Information:

[TE Connectivity:](#)

[2226783-1](#)