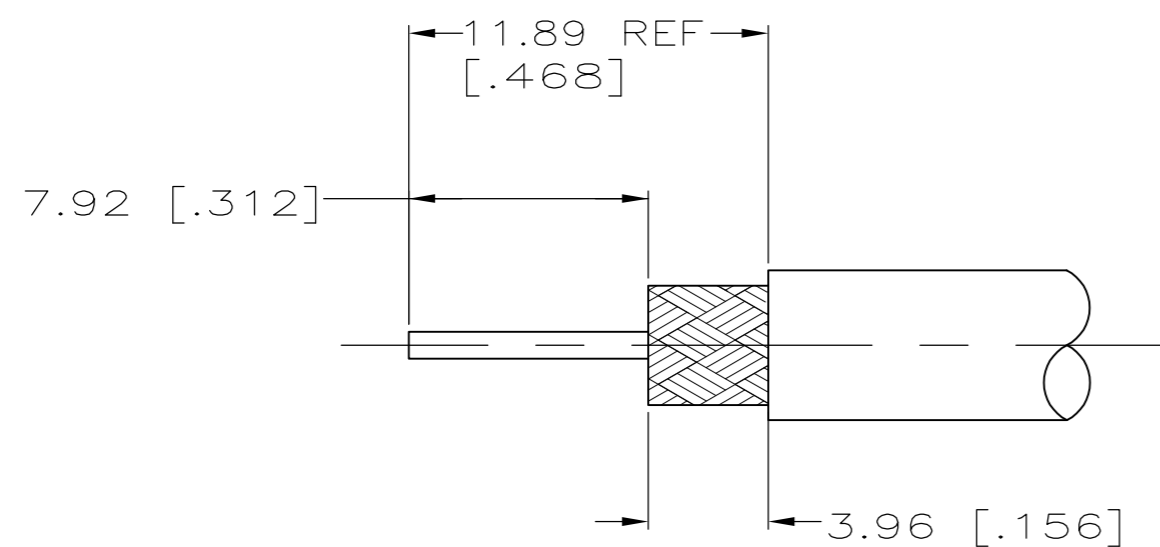
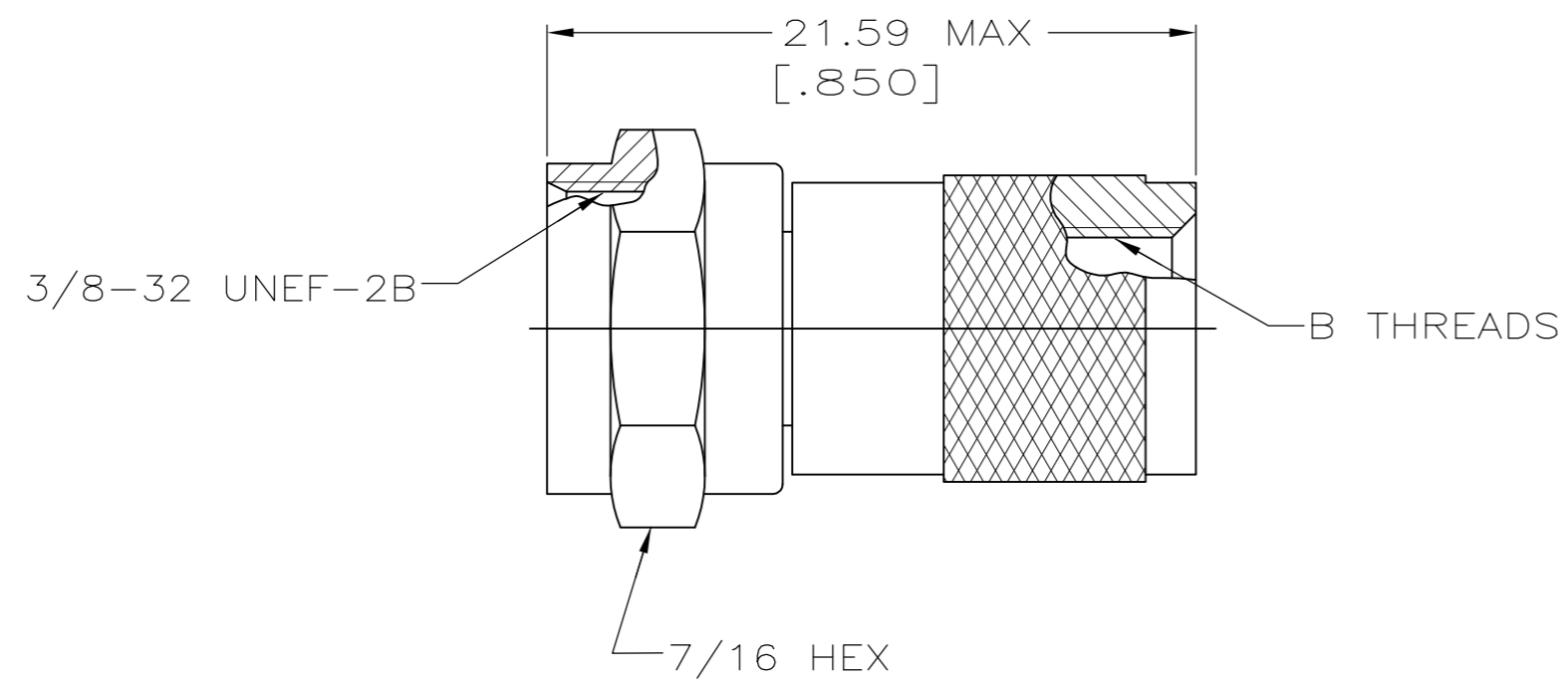


THIS DRAWING IS UNPUBLISHED. RELEASED FOR PUBLICATION  
 © COPYRIGHT BY TYCO ELECTRONICS CORPORATION. ALL RIGHTS RESERVED.

LOC	DIST	REVISIONS					
		P	LTR	DESCRIPTION	DATE	DWN	APVD
AJ	16		J	REVISED PER EC 0S14-0456-04	18NOV05	BL	JL
			J1	REVISED PER ECO-10-000030	04JAN10	KK	AEG

- ① BRASS PER QQ-B-626
- ② NICKEL PL PER QQ-N-290
- ③ FOR USE WITH RG-59/U CABLE
- ④ FOR USE WITH RG-6/U CABLE
- ⑤ PACKAGED 10 PER BAG IN WINDOW BOX
- ⑥ PACKAGED 100 PER DISPLAY BAG



RECOMMENDED STRIP LENGTH

SUPERSEDED BY 221540-2	④	M7 x 1	⑥	221540-8
SUPERSEDED BY 221540-2	④	M7 x 1	⑤	221540-7
OBSOLETE	③	1/4-20 UNC-2B	⑥	221540-6
OBSOLETE	③	1/4-20 UNC-2B	⑤	221540-5
	④	M7 x 1		221540-2
OBSOLETE	③	1/4-20 UNC-2B		221540-1
		CABLE	B	PART NUMBER

THIS DRAWING IS A CONTROLLED DOCUMENT.		DWN	11-29-88	Tyco Electronics Corporation	
DIMENSIONS: INCHES		J. SHAFFER		Harrisburg, PA 17105-3608	
TOLERANCES UNLESS OTHERWISE SPECIFIED:		CHK	12-2-88	CONNECTOR, COAXIAL, RF, PLUG, SERIES F	
0 PLC ± -		P. YEAGER		SIZE	CAGE CODE
1 PLC ± -		APVD	-	A2	00779
2 PLC ± 0.41 [.016]		PRODUCT SPEC	-	DRAWING NO	221540
3 PLC ± -		APPLICATION SPEC	-	RESTRICTED TO	-
4 PLC ± -		WEIGHT	-	SCALE	4:1
ANGLES ± -		CUSTOMER DRAWING		SHEET	1 of 1
FINISH				REV	J1

# Mouser Electronics

Authorized Distributor

Click to View Pricing, Inventory, Delivery & Lifecycle Information:

[TE Connectivity:](#)

[221540-2](#)