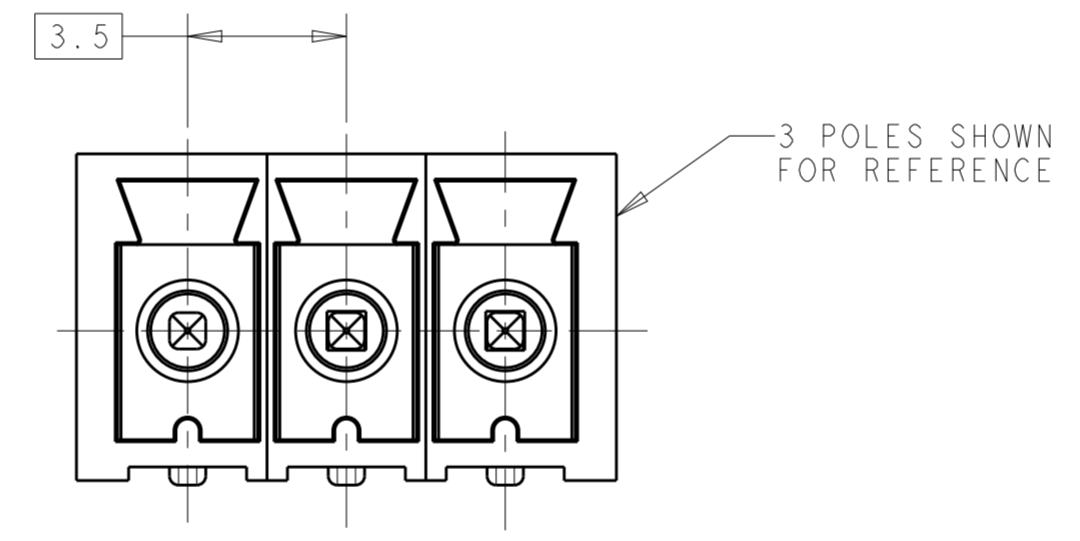
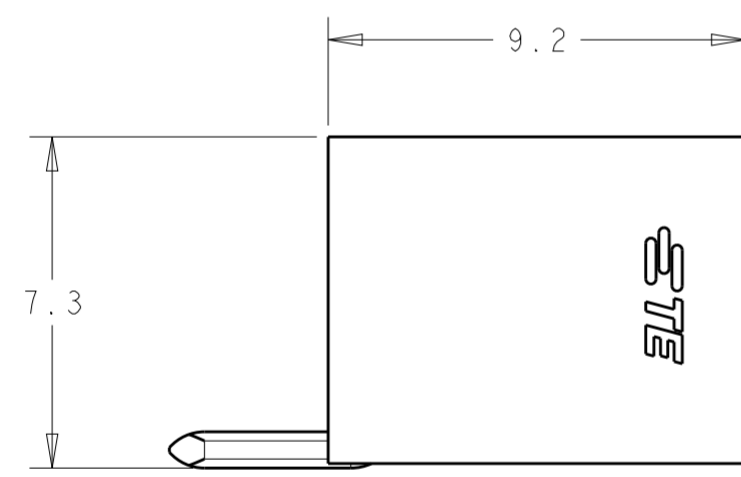
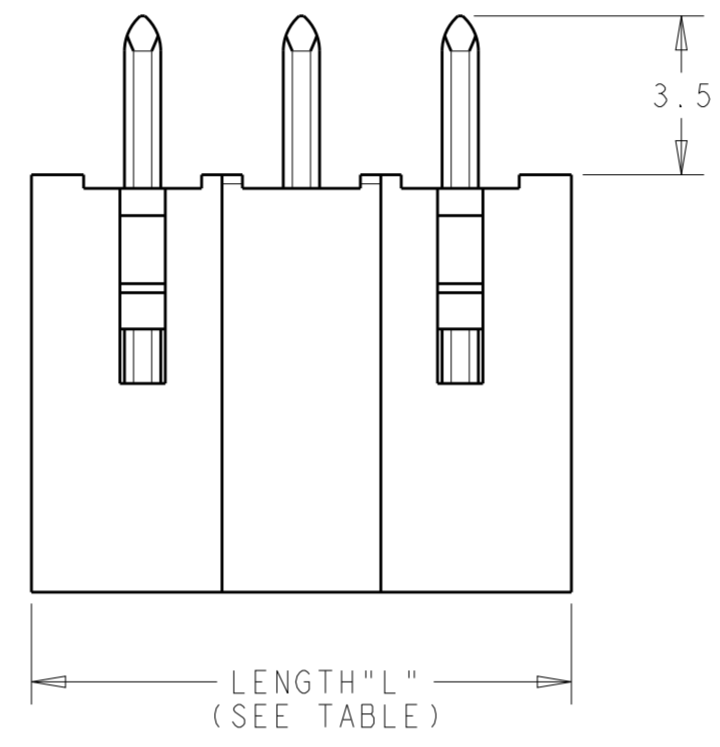
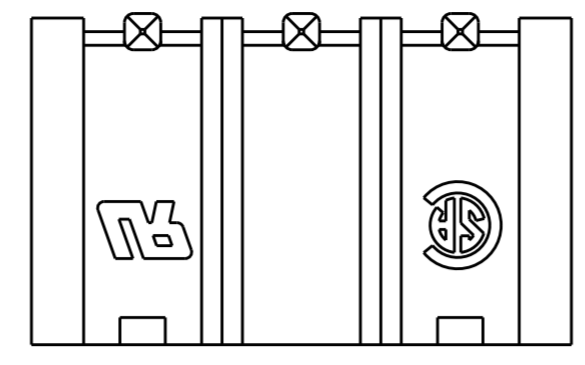
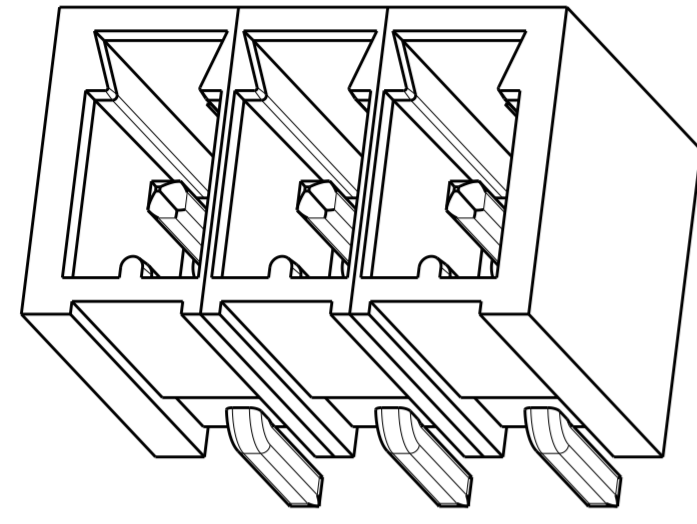
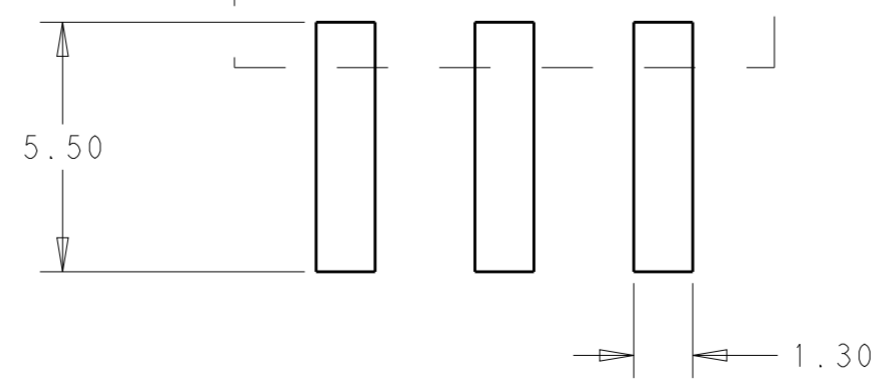


THIS DRAWING IS UNPUBLISHED. RELEASED FOR PUBLICATION
 © COPYRIGHT copyright.d8te ALL RIGHTS RESERVED.

REVISIONS				
P	LTR	DESCRIPTION	DATE	APVD
A		NEW DRAWING	08SEP2016	RS ML
A1		REVISED PER ECR-16-016988	02JAN2017	RK PO



RECOMMENDED PC BOARD PAD LAYOUT
 0.2mm RECOMMENDED STENCIL THICKNESS



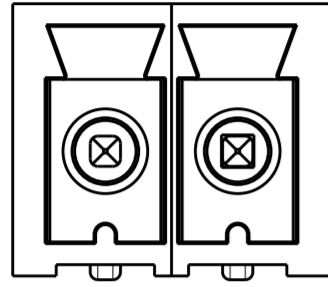
- HOUSING MATERIAL: THERMOPLASTIC, FLAME-RETARDANT PER UL 94 V-0
COLOR = BLACK
- CONTACT MATERIAL: COPPER ALLOY WITH TIN PLATE
- PRODUCT CERTIFICATIONS:
UL: 8A/300V (APPLICATION GROUPS B & D)
CSA: 8A/300V (APPLICATION GROUP B)
- HAZARDOUS SUBSTANCE COMPLIANCE: RoHS, REACH
- PACKAGING: TAPE AND REEL
REEL DIAMETER = 380mm
TAPE WIDTH = SEE TABLE
- MATES WITH 2213936 SERIES

72	43.4	12	1-2213932-2
	39.9	11	1-2213932-1
56	36.4	10	1-2213932-0
	32.9	9	2213932-9
	29.4	8	2213932-8
	25.9	7	2213932-7
	22.4	6	2213932-6
	18.9	5	2213932-5
	15.4	4	2213932-4
	11.9	3	2213932-3
	8.4	2	2213932-2
TAPE WIDTH "W" (mm)	LENGTH "L" (mm)	NO. OF POLES	TE PART NO.

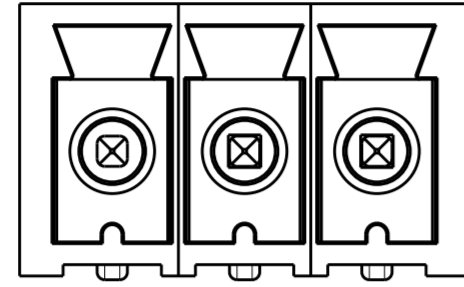
THIS DRAWING IS A CONTROLLED DOCUMENT.		DWN RAVLS 08SEP2016	TE Connectivity	
DIMENSIONS: mm		CHK M.LUKSIC 08SEP2016		
TOLERANCES UNLESS OTHERWISE SPECIFIED:		APVD M.LUKSIC 08SEP2016	NAME TERMINAL BLOCK HEADER, SMT, HORIZONTAL, 3.5MM PITCH	
0 PLC ±		PRODUCT SPEC	SIZE	
1 PLC ±0.2		APPLICATION SPEC	CAGE CODE	
2 PLC ±0.13		WEIGHT	DRAWING NO	
3 PLC ±		CUSTOMER DRAWING	RESTRICTED TO	
4 PLC ±			SCALE	
ANGLES ±			SHEET	
FINISH -			OF	
MATERIAL SEE NOTES			REV	
			A1	

THIS DRAWING IS UNPUBLISHED. RELEASED FOR PUBLICATION
 © COPYRIGHT copyright.d8Te- ALL RIGHTS RESERVED.

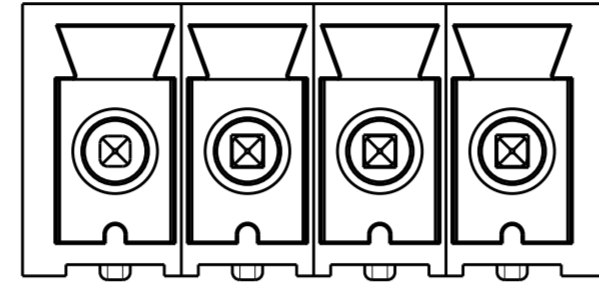
REVISIONS				
P	LTR	DESCRIPTION	DATE	APVD
-		SEE SHEET 1	-	-



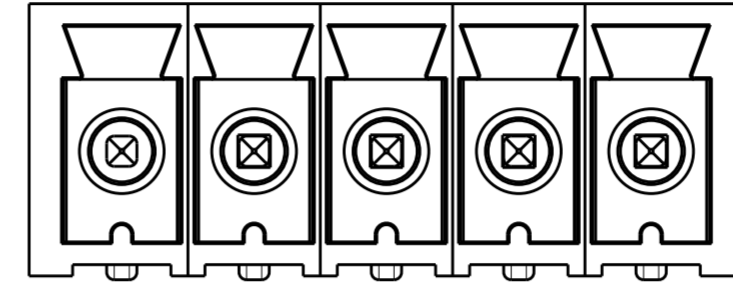
2 POLES: 2213932-2



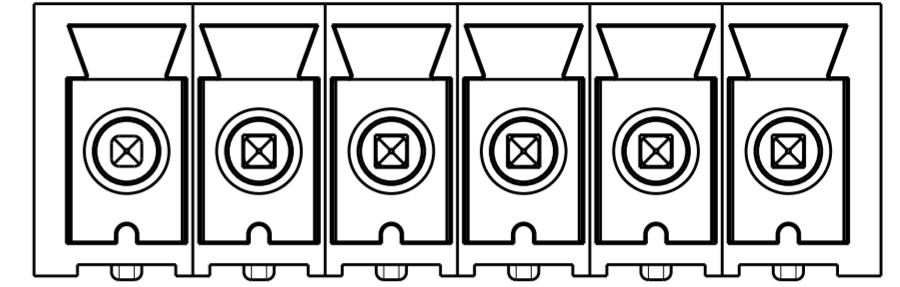
3 POLES: 2213932-3



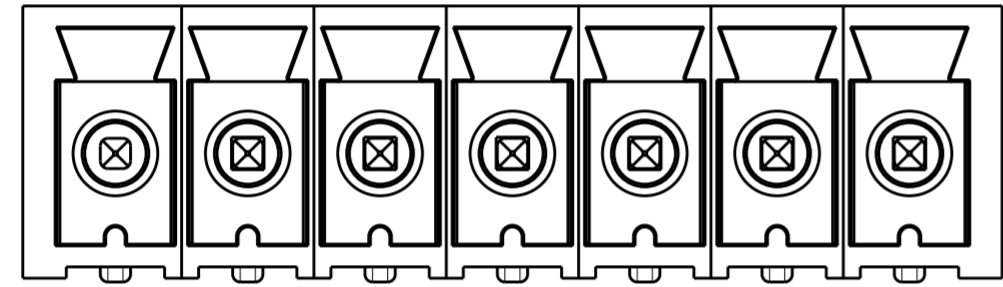
4 POLES: 2213932-4



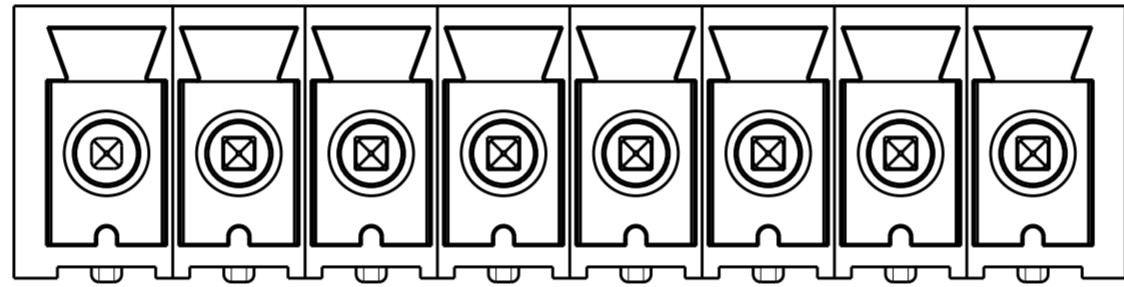
5 POLES: 2213932-5



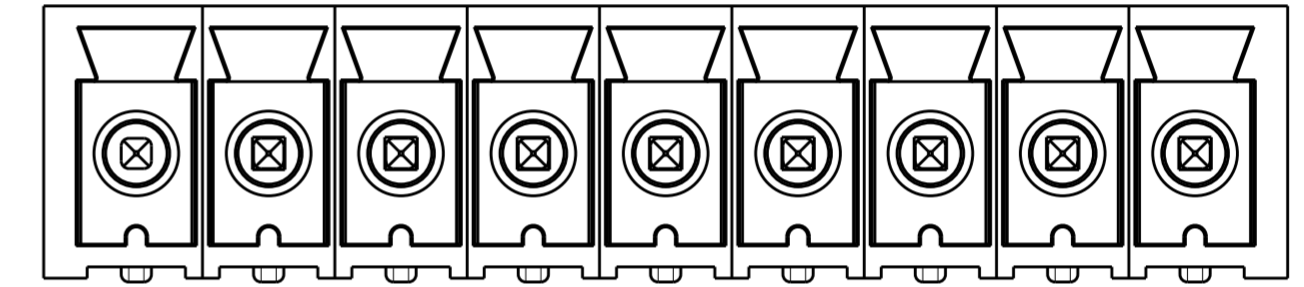
6 POLES: 2213932-6



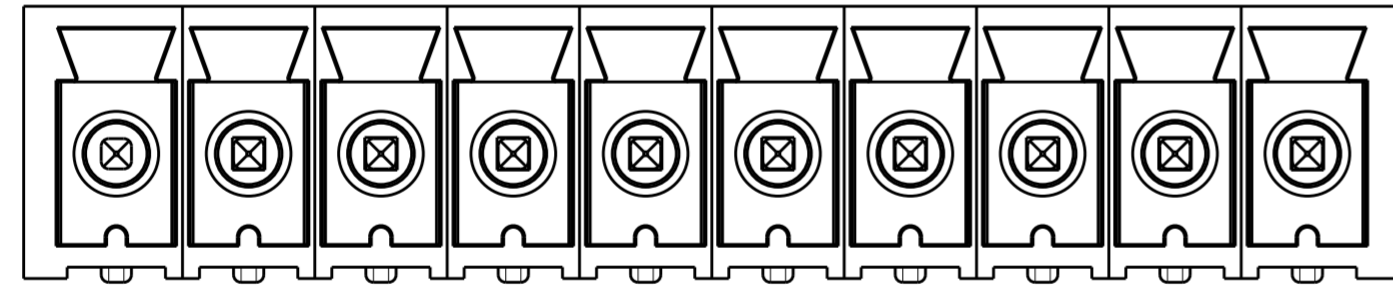
7 POLES: 2213932-7



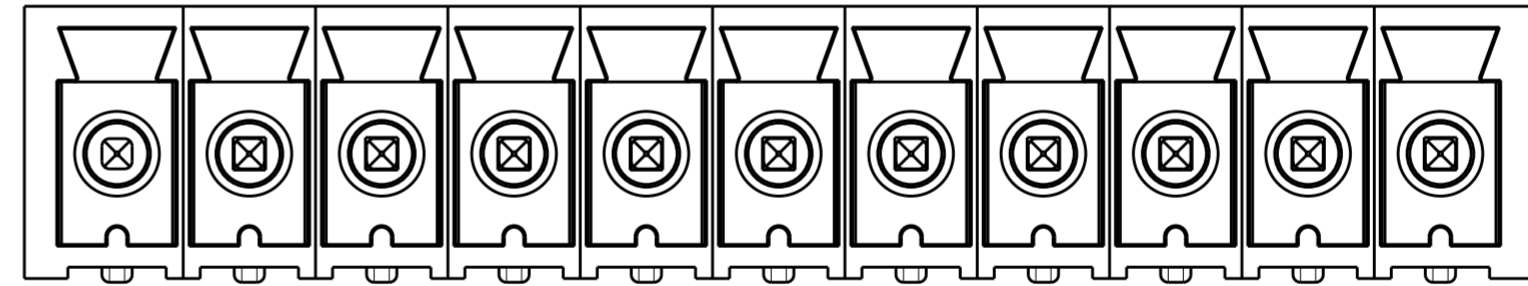
8 POLES: 2213932-8



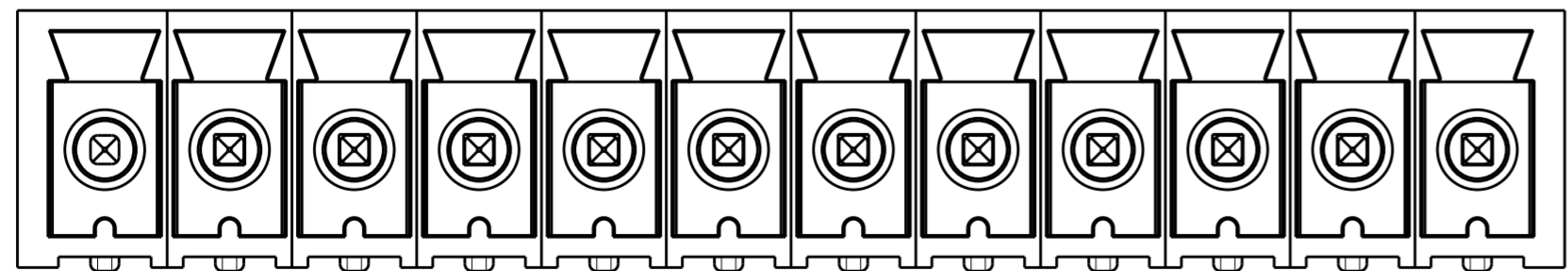
9 POLES: 2213932-9




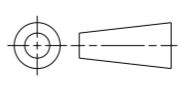
10 POLES: 1-2213932-0



11 POLES: 1-2213932-1



12 POLES: 1-2213932-2

THIS DRAWING IS A CONTROLLED DOCUMENT.		DWN RAVLS 08SEP2016	 TE Connectivity	
DIMENSIONS:		CHK M.LUKSIC 08SEP2016		
mm	TOLERANCES UNLESS OTHERWISE SPECIFIED:	APVD M.LUKSIC 08SEP2016	NAME TERMINAL BLOCK HEADER, SMT, HORIZONTAL, 3.5MM PITCH	
	0 PLC ± 1 PLC ±0.2 2 PLC ±0.13 3 PLC ± 4 PLC ± ANGLES ± FINISH -	PRODUCT SPEC -	RESTRICTED TO	
MATERIAL	-	APPLICATION SPEC -	SIZE A2	CAGE CODE -
		WEIGHT -	DRAWING NO G-2213932	SCALE 5:1
		CUSTOMER DRAWING	SHEET 2 OF 2	REV A1

Mouser Electronics

Authorized Distributor

Click to View Pricing, Inventory, Delivery & Lifecycle Information:

[TE Connectivity:](#)

[2213932-5](#)