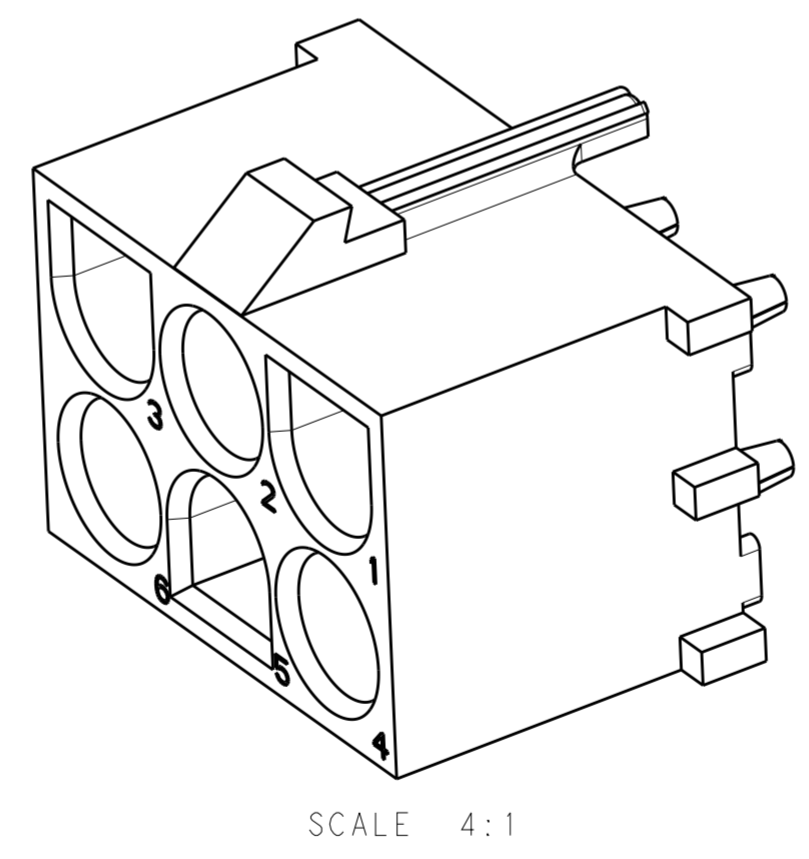
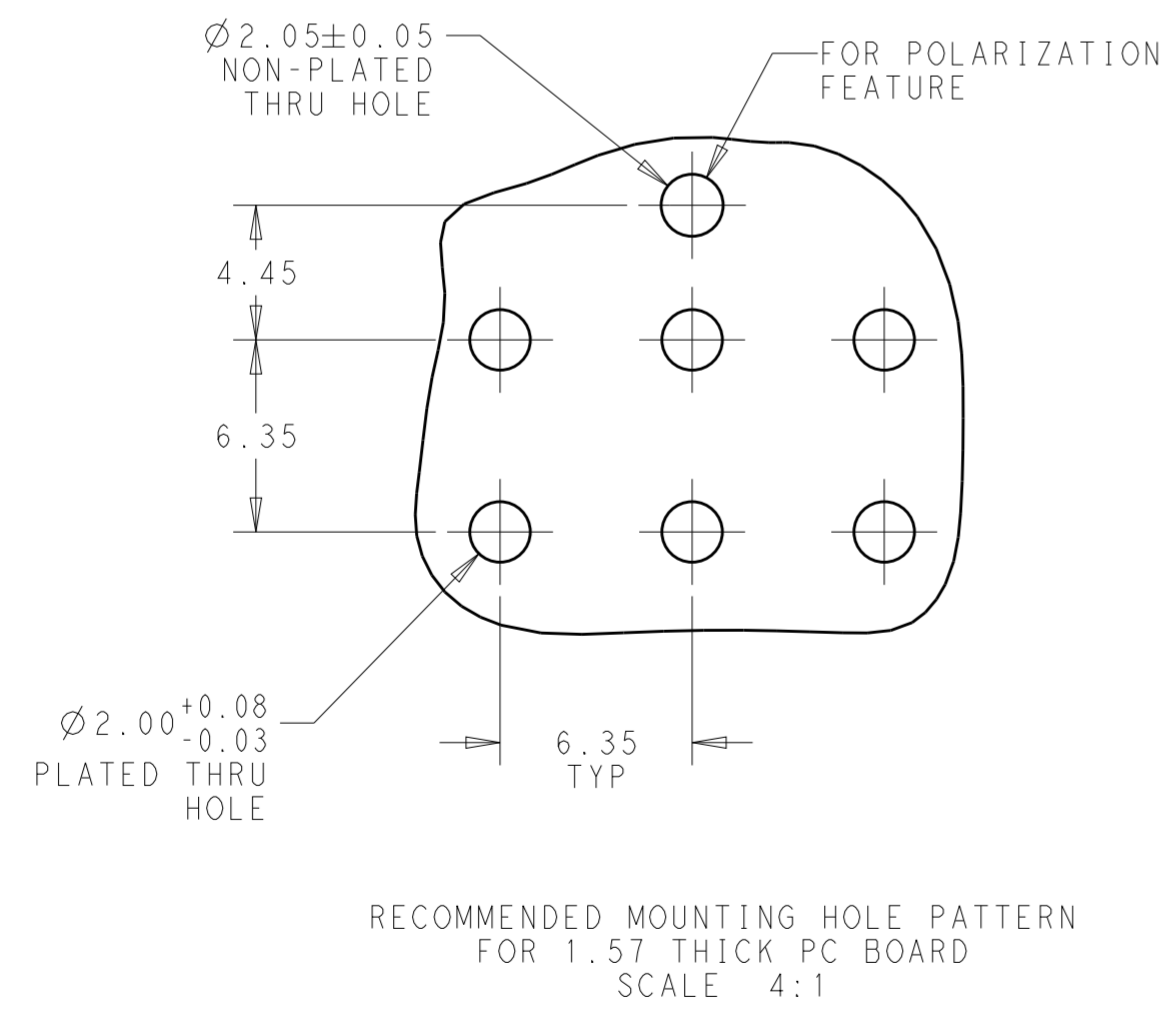
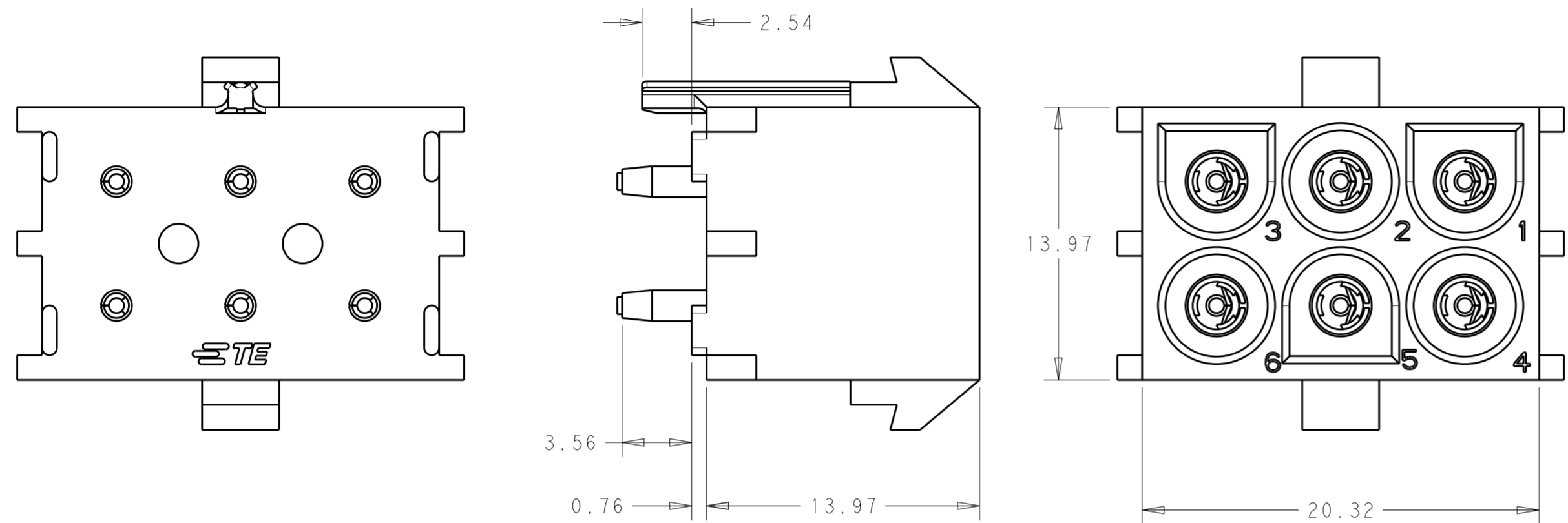


THIS DRAWING IS UNPUBLISHED. RELEASED FOR PUBLICATION 20  
 © COPYRIGHT 20 BY - ALL RIGHTS RESERVED.

REVISIONS					
P	LTR	DESCRIPTION	DATE	DWN	APVD
	A	REVISED PER ECR-17-014561	10OCT2017	RK	JL
	A1	REVISED PER ECR-17-015644	25OCT2017	RK	JL

NOTES:

- PARTS COMPLY TO TE SOLDERABILITY SPEC 109-11-3.
- MATERIALS:
  - HOUSING:GF-LCP  
COLOR:SEE TABLE
  - CONTACT:PHOSPHOR BRONZE  
PLATING:TIN



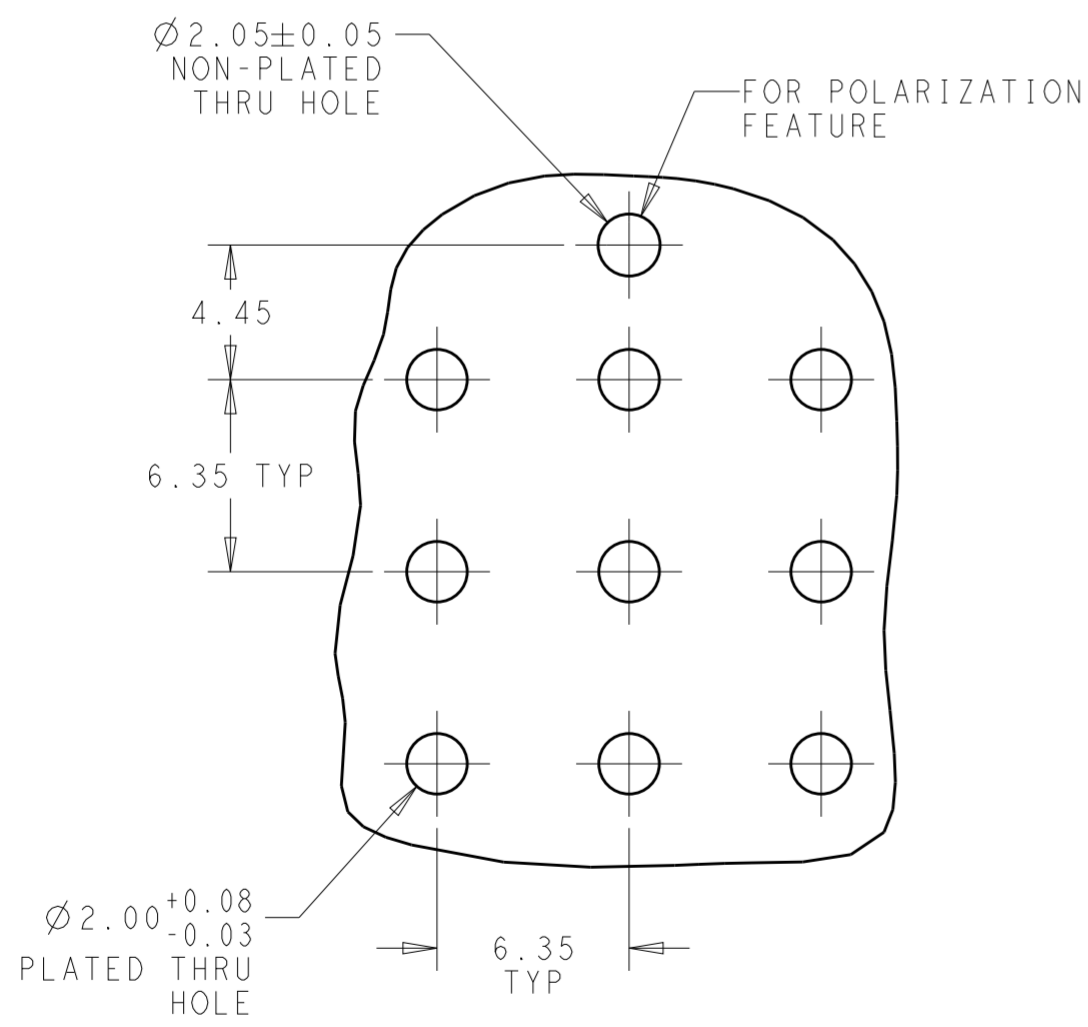
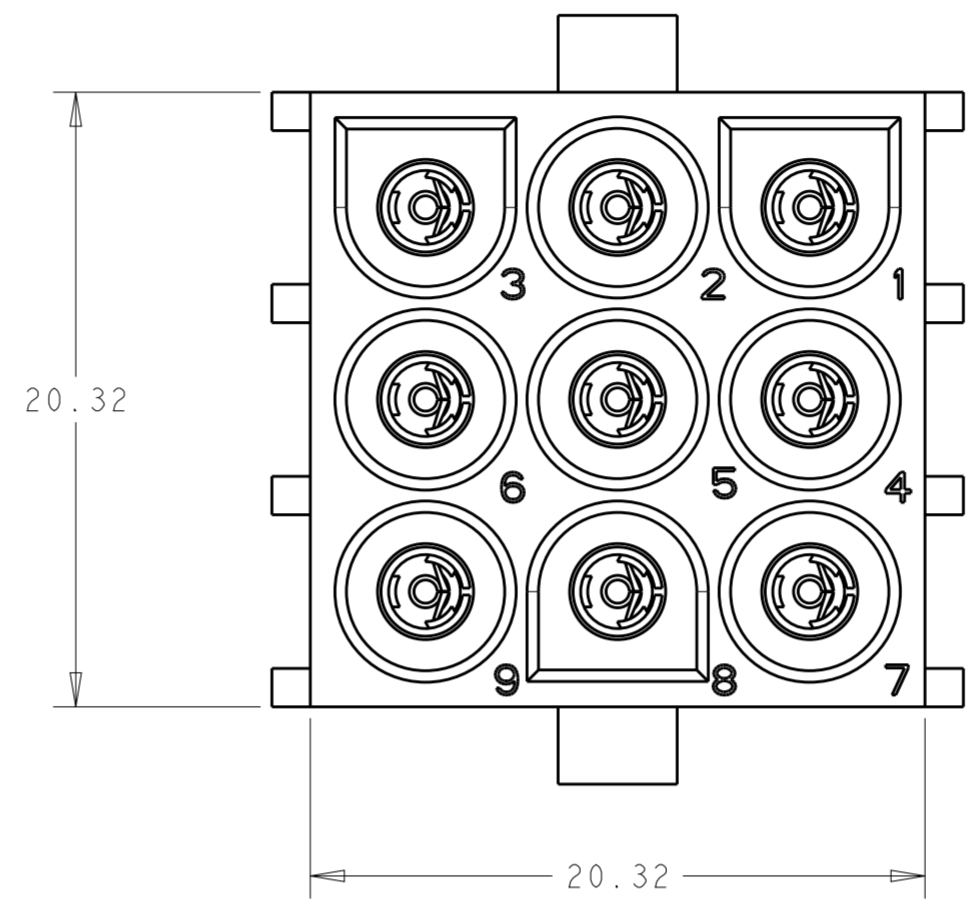
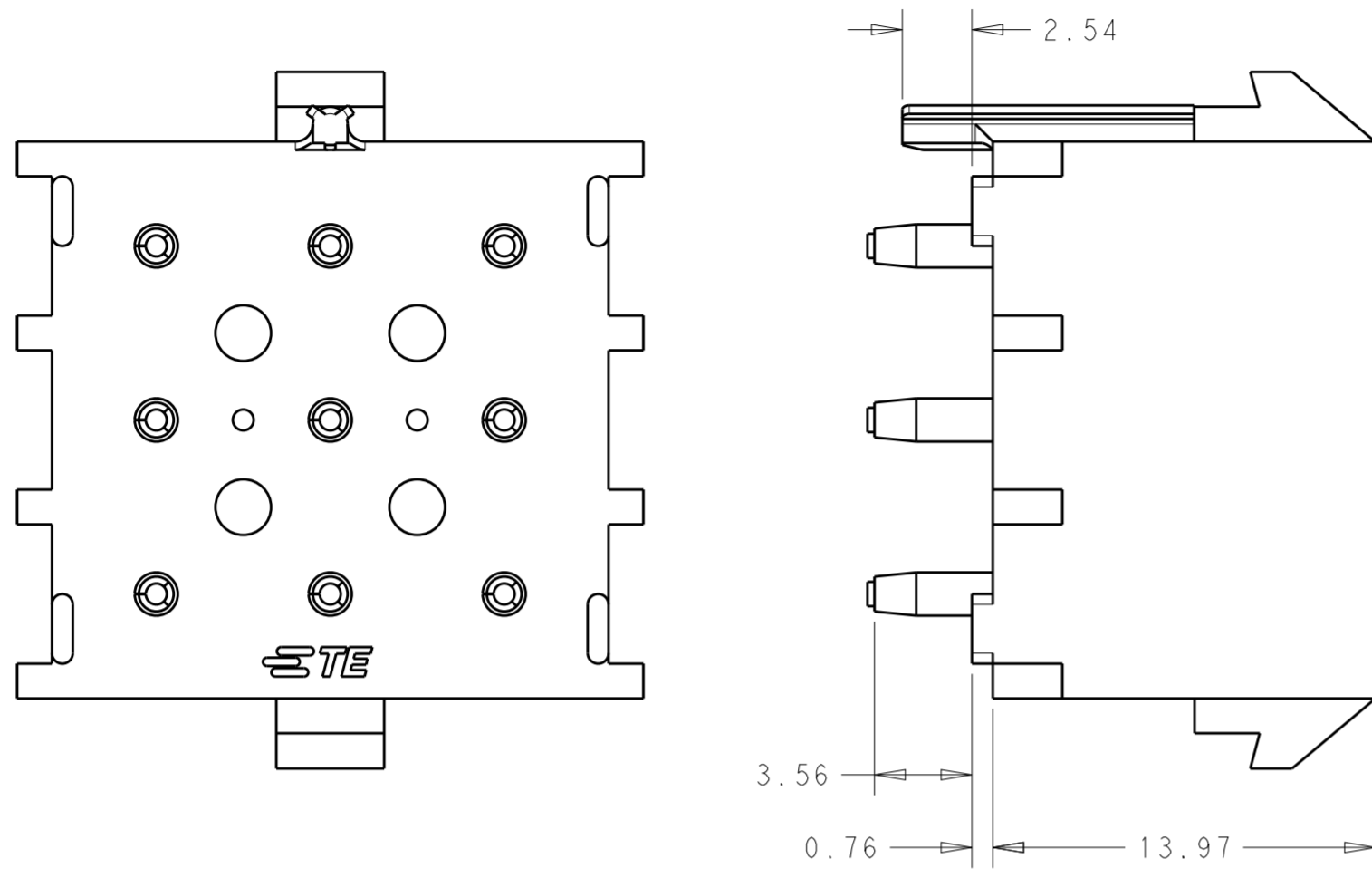
2213756-1, 1-2213756-1  
SHOWN

COLOR	POSITION	PART NO.
BLACK	15 POS UMNL HEADER HOUSING POLARIZED	1-2213756-4
BLACK	12 POS UMNL HEADER HOUSING POLARIZED	1-2213756-3
BLACK	9 POS UMNL HEADER HOUSING POLARIZED	1-2213756-2
BLACK	6 POS UMNL HEADER HOUSING POLARIZED	1-2213756-1
NATURAL	15 POS UMNL HEADER HOUSING POLARIZED	2213756-4
NATURAL	12 POS UMNL HEADER HOUSING POLARIZED	2213756-3
NATURAL	9 POS UMNL HEADER HOUSING POLARIZED	2213756-2
NATURAL	6 POS UMNL HEADER HOUSING POLARIZED	2213756-1

THIS DRAWING IS A CONTROLLED DOCUMENT.		DWN J. SHAFFER 02NOV2015	TE Connectivity	
DIMENSIONS: mm		CHK M. MOSTOLLER 02NOV2015		
TOLERANCES UNLESS OTHERWISE SPECIFIED:		APVD M. MOSTOLLER 02NOV2015	NAME 3 ROW SOCKET HEADER ASSEMBLY, UMNL, HIGH TEMPERATURE	
0 PLC ±- 1 PLC ±0.5 2 PLC ±0.13 3 PLC ±- 4 PLC ±- ANGLES ±- FINISH ±-		PRODUCT SPEC 108-1053	SIZE A2	
MATERIAL		APPLICATION SPEC 114-133083	CAGE CODE -	DRAWING NO C-2213756
		WEIGHT -	RESTRICTED TO -	
		CUSTOMER DRAWING	SCALE 2:1	SHEET 1 OF 4
			REV A1	

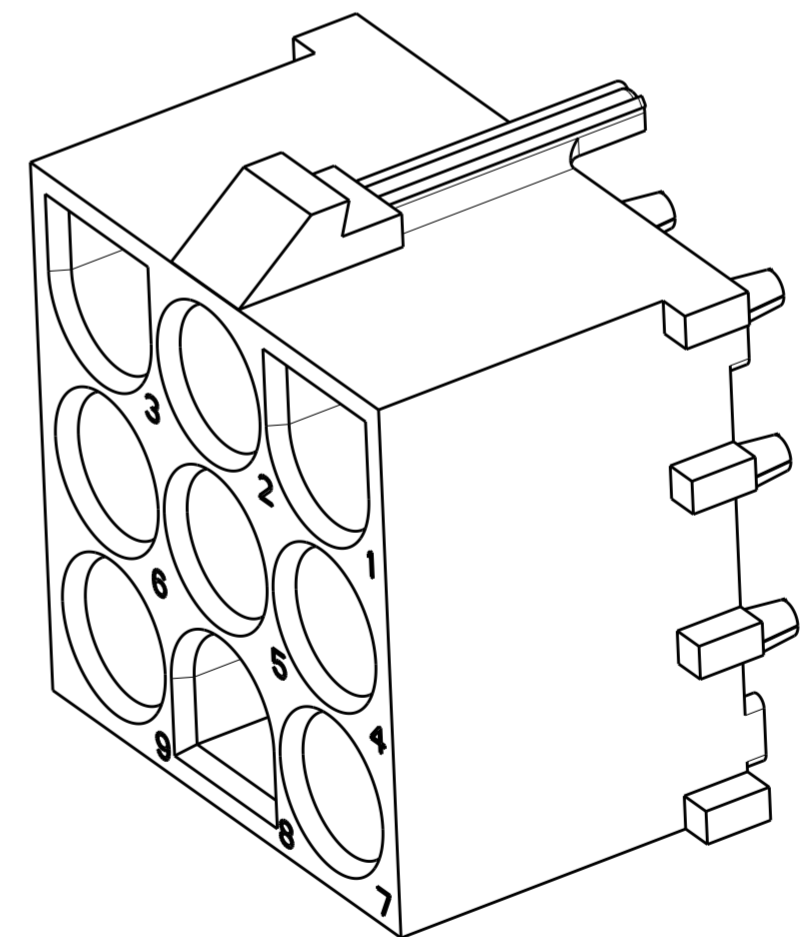
THIS DRAWING IS UNPUBLISHED. RELEASED FOR PUBLICATION 20  
 © COPYRIGHT 20 BY - ALL RIGHTS RESERVED.

REVISIONS				
P	LTR	DESCRIPTION	DATE	APVD
		SEE SHEET 1		



RECOMMENDED MOUNTING HOLE PATTERN  
 FOR 1.57 THICK PC BOARD  
 SCALE 4:1

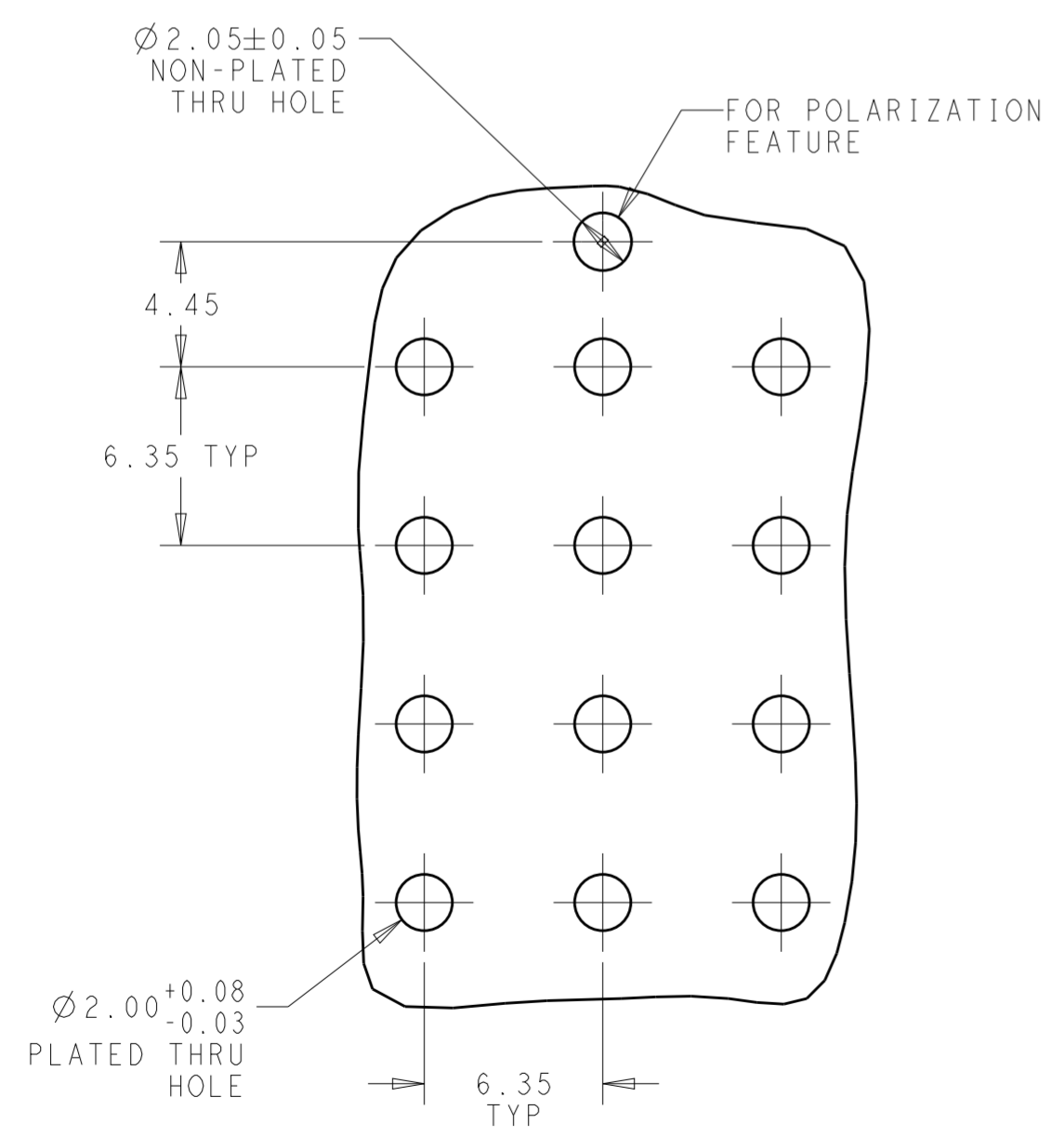
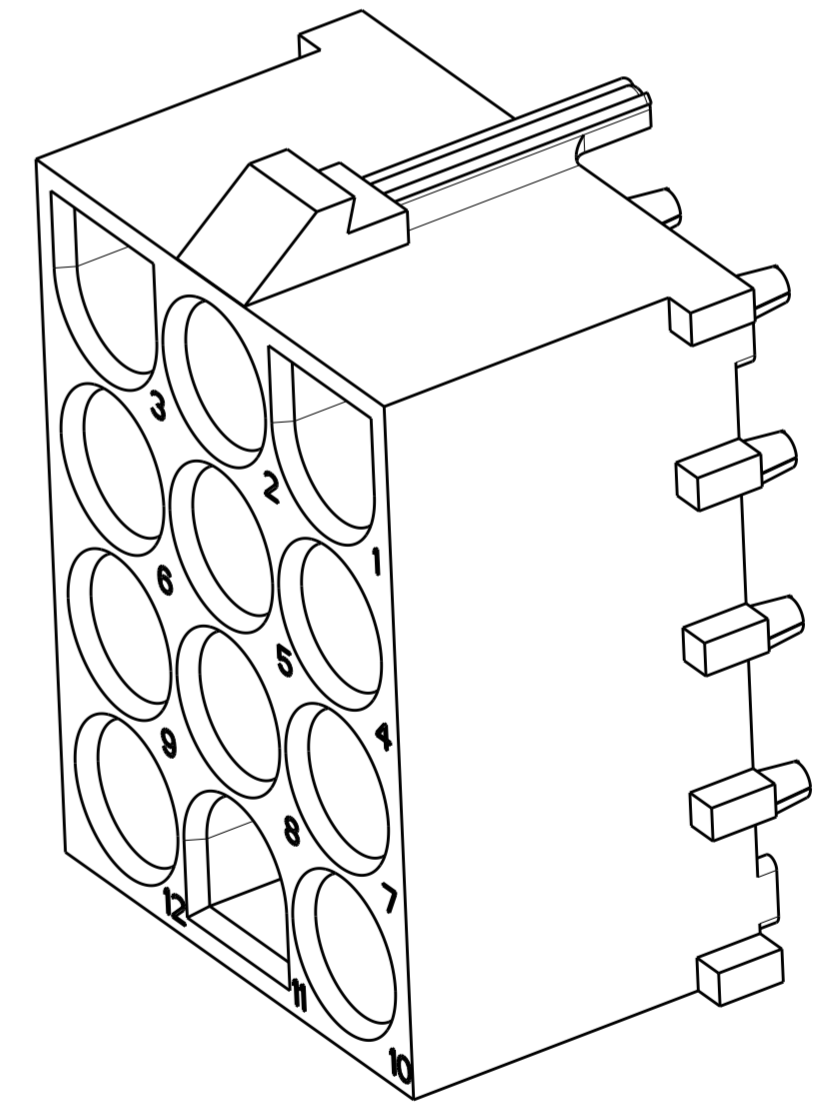
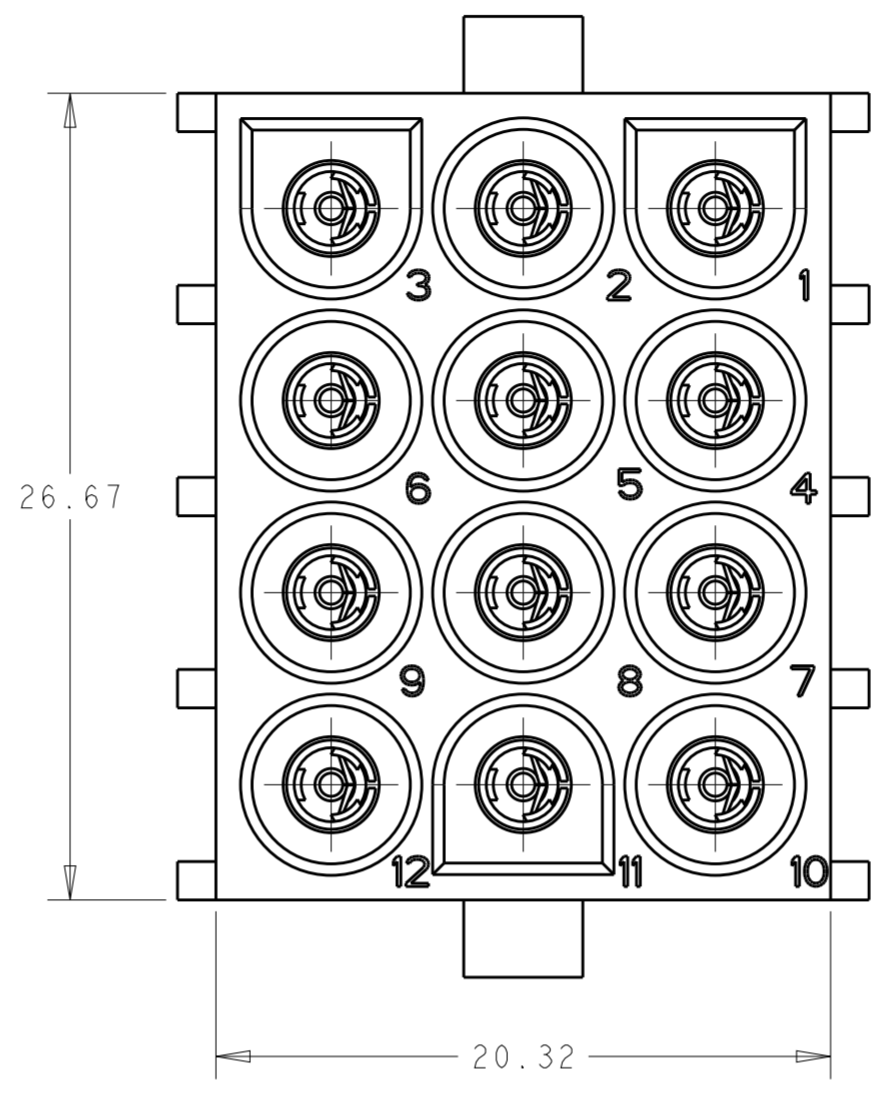
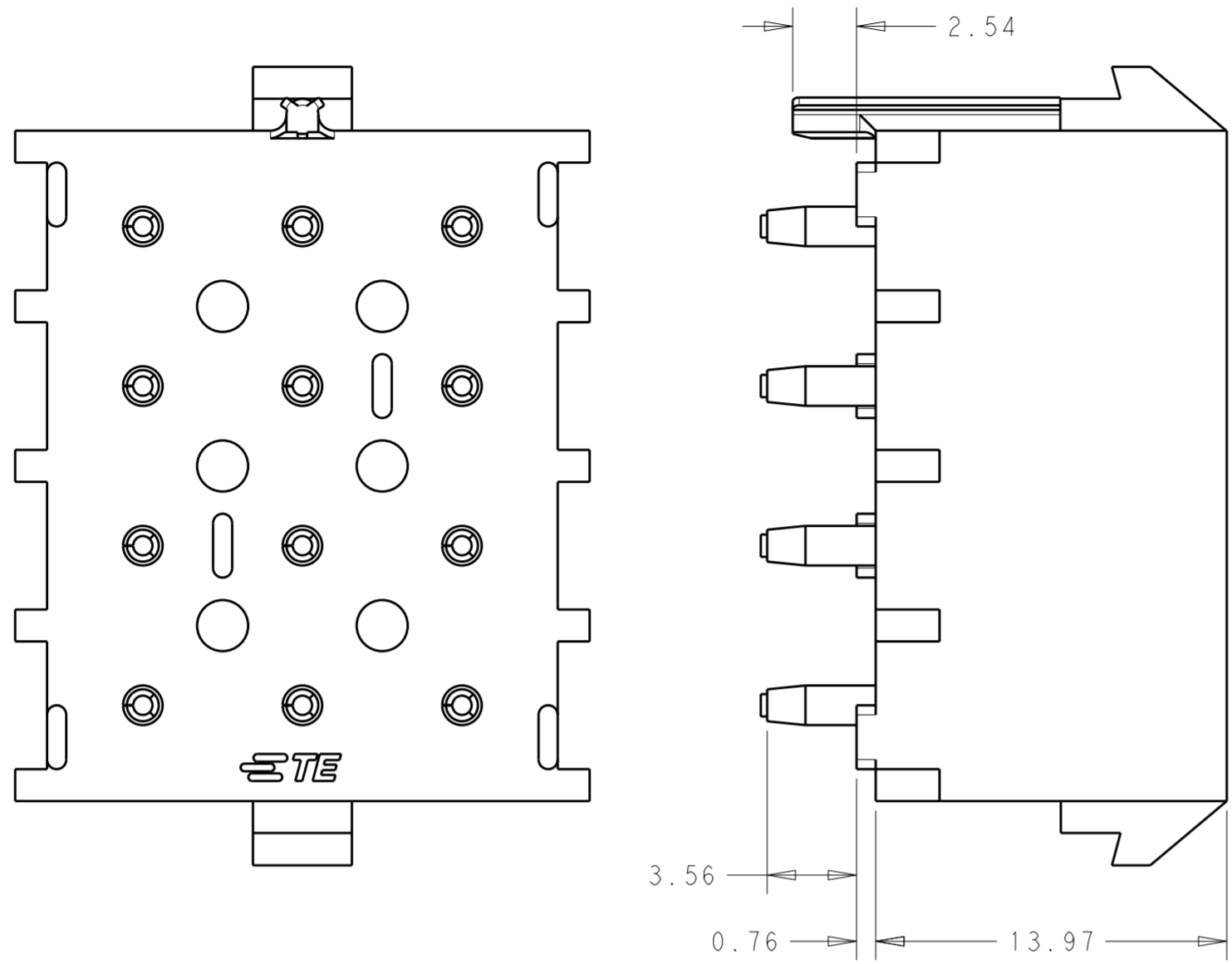
2213756-2, 1-2213756-2  
 SHOWN



THIS DRAWING IS A CONTROLLED DOCUMENT.		DWN J. SHAFFER 02NOV2015	TE Connectivity	
DIMENSIONS:		CHK M. MOSTOLLER 02NOV2015		
mm	TOLERANCES UNLESS OTHERWISE SPECIFIED:	APVD M. MOSTOLLER 02NOV2015	NAME 3 ROW SOCKET HEADER ASSEMBLY, UMNL, HIGH TEMPERATURE	
0 PLC ±	1 PLC ±0.5	PRODUCT SPEC	SIZE	
2 PLC ±0.13	3 PLC ±	108-1053	CAGE CODE	
4 PLC ±	ANGLES ±	APPLICATION SPEC	DRAWING NO	
MATERIAL	FINISH	114-133083	RESTRICTED TO	
-	-	WEIGHT	A2	
-	-	CUSTOMER DRAWING	SCALE 2:1 SHEET 2 OF 4 REV A1	

THIS DRAWING IS UNPUBLISHED. RELEASED FOR PUBLICATION 20  
 © COPYRIGHT 20 BY - ALL RIGHTS RESERVED.

REVISIONS				
P	LTR	DESCRIPTION	DATE	APVD
		SEE SHEET 1		



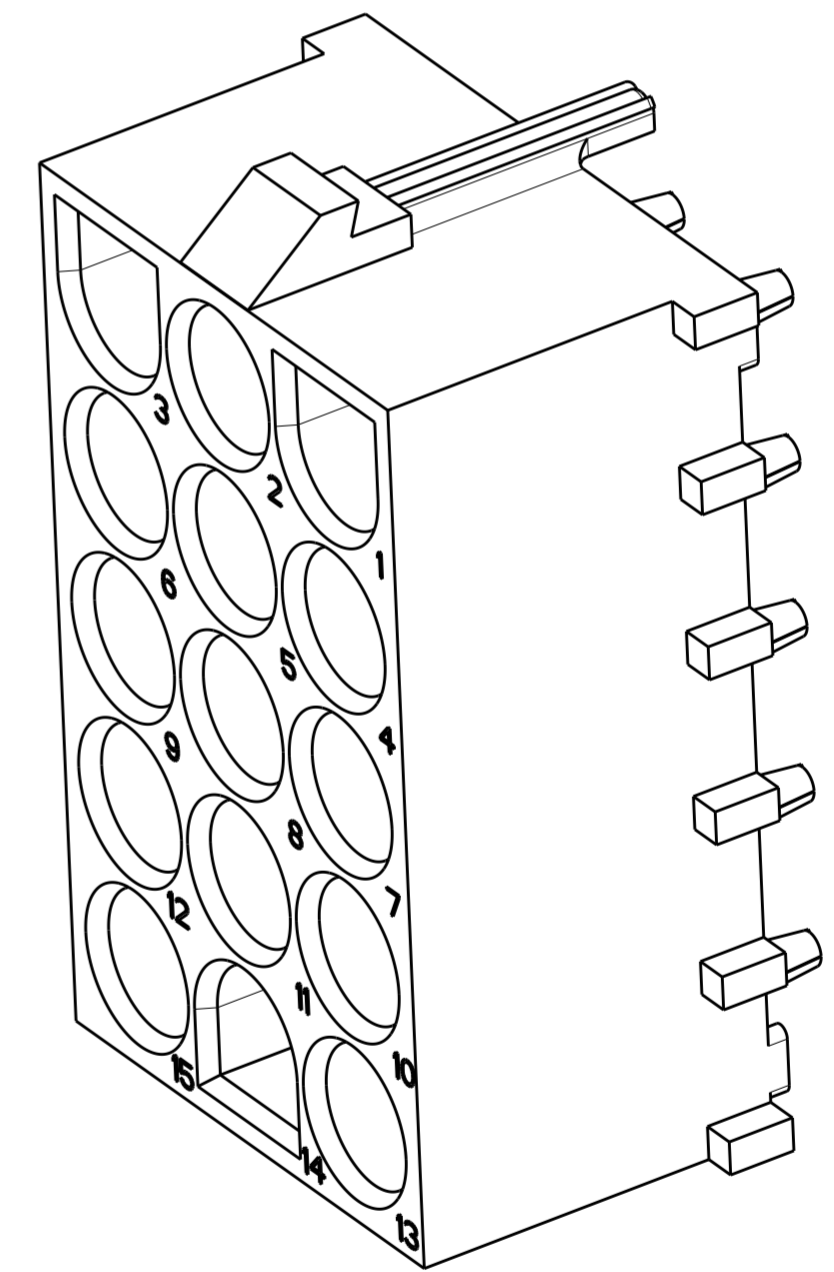
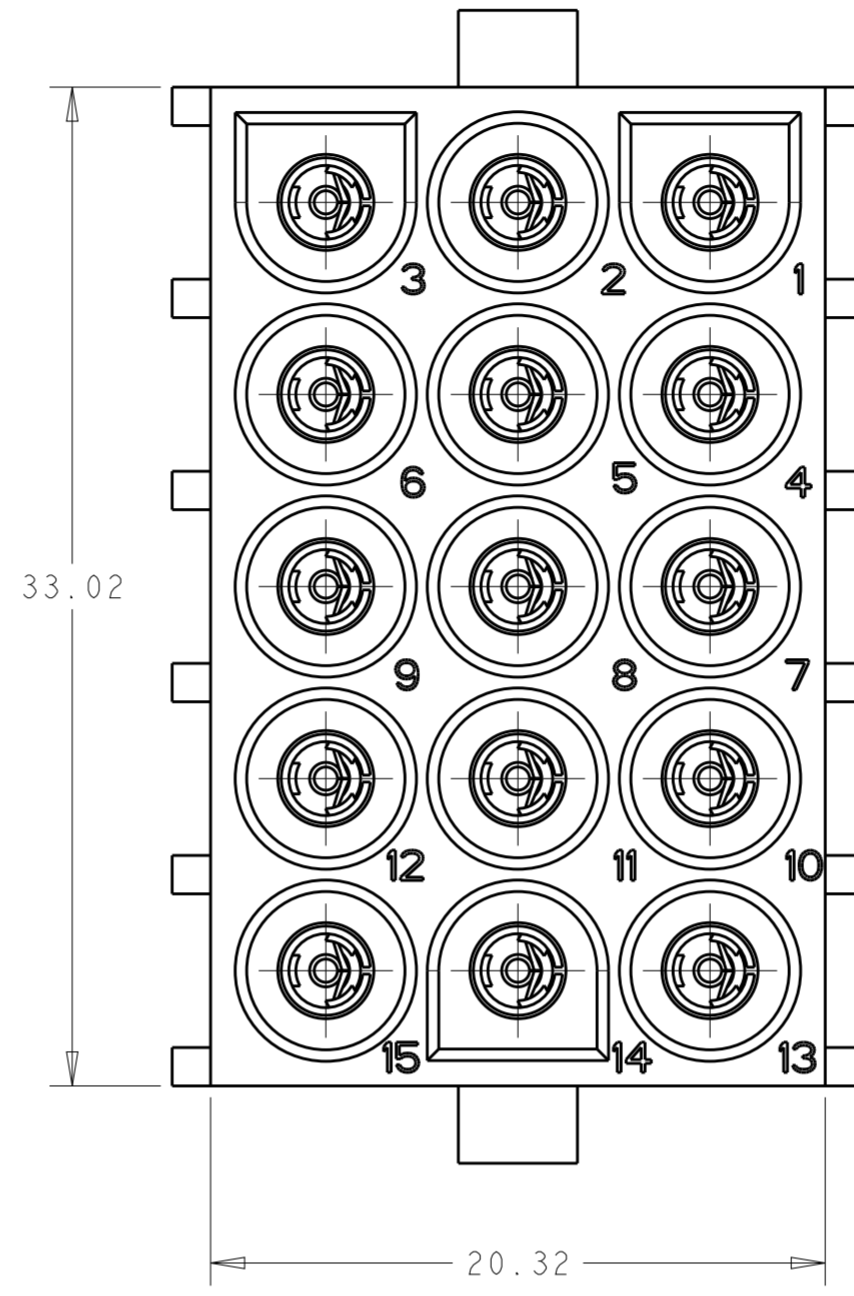
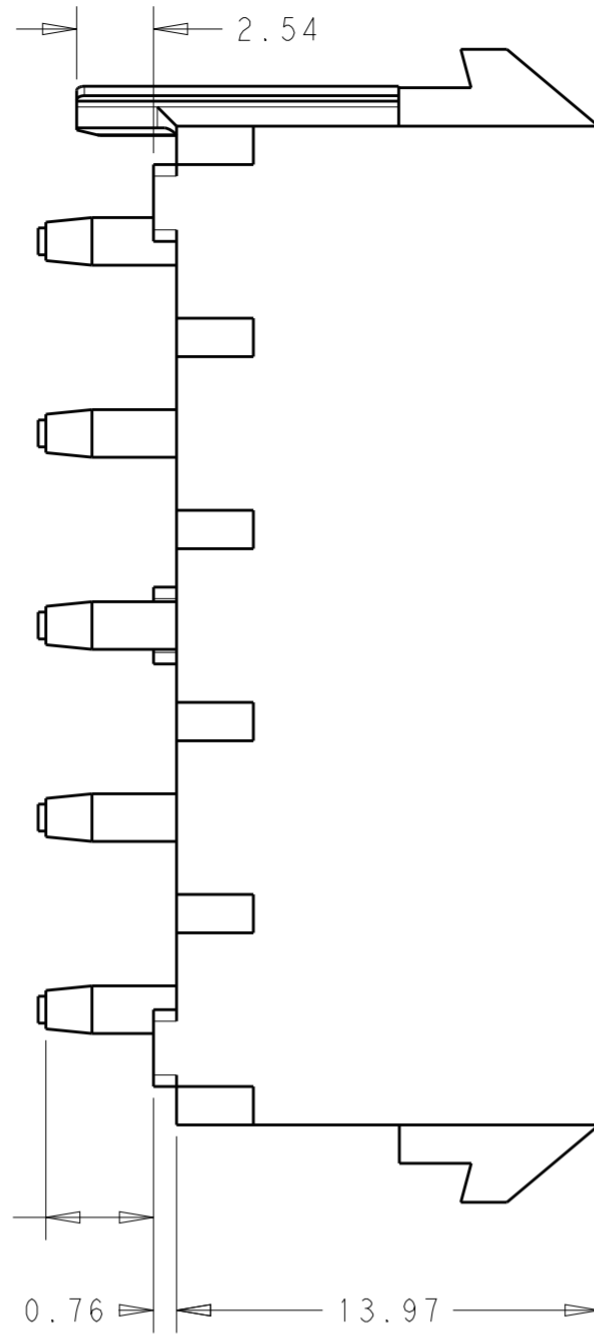
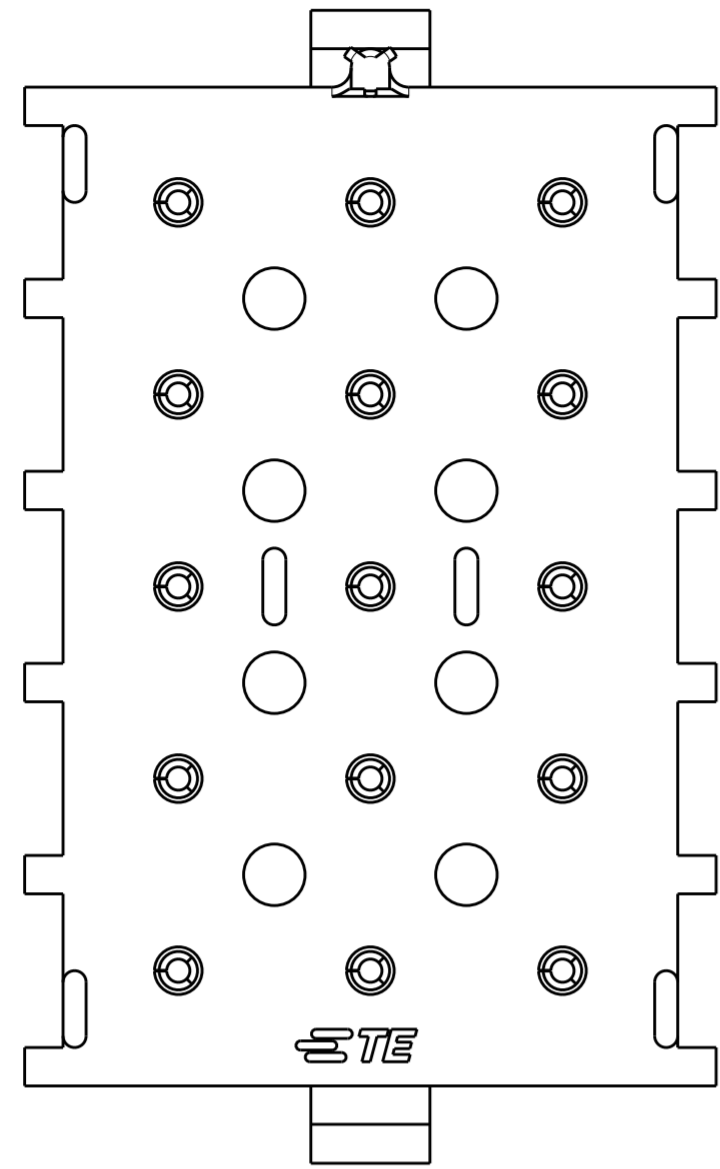
RECOMMENDED MOUNTING HOLE PATTERN FOR 1.57 THICK PC BOARD SCALE 4:1

2213756-3, 1-2213756-3 SHOWN

THIS DRAWING IS A CONTROLLED DOCUMENT.		DWN J. SHAFFER 02NOV2015	<b>STE</b> TE Connectivity	
DIMENSIONS: mm		CHK M. MOSTOLLER 02NOV2015		
TOLERANCES UNLESS OTHERWISE SPECIFIED:		APVD M. MOSTOLLER 02NOV2015	NAME 3 ROW SOCKET HEADER ASSEMBLY, UMNL, HIGH TEMPERATURE	
0 PLC ±		PRODUCT SPEC 108-1053	SIZE A2	
1 PLC ±0.5		APPLICATION SPEC 114-133083	CAGE CODE -	DRAWING NO C-2213756
2 PLC ±0.13		WEIGHT -	RESTRICTED TO -	
3 PLC ±		CUSTOMER DRAWING	SCALE 2:1	SHEET 3 OF 4
4 PLC ±			REV A1	
ANGLES ±				
FINISH ±				

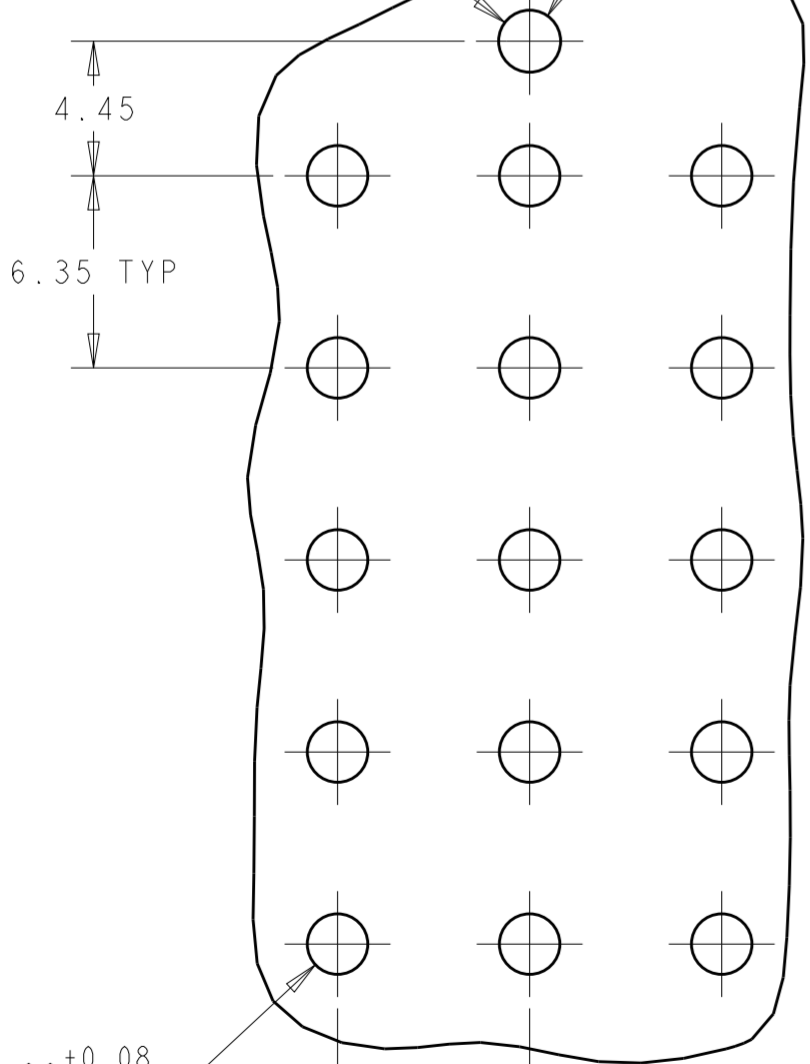
THIS DRAWING IS UNPUBLISHED. RELEASED FOR PUBLICATION 20  
 © COPYRIGHT 20 BY - ALL RIGHTS RESERVED.

REVISIONS				
P	LTR	DESCRIPTION	DATE	APVD
		SEE SHEET 1		



Ø 2.05 ± 0.05  
NON-PLATED  
THRU HOLE

FOR POLARIZATION  
FEATURE



Ø 2.00 +0.08  
-0.03  
PLATED  
THRU HOLE

6.35  
TYP

RECOMMENDED MOUNTING HOLE PATTERN  
FOR 1.57 THICK PC BOARD  
SCALE 4:1

2213756-4, 1-2213756-4  
SHOWN

THIS DRAWING IS A CONTROLLED DOCUMENT.		DWN J. SHAFFER 02NOV2015	TE Connectivity	
DIMENSIONS: mm		CHK M. MOSTOLLER 02NOV2015		
TOLERANCES UNLESS OTHERWISE SPECIFIED:		APVD M. MOSTOLLER 02NOV2015	NAME 3 ROW SOCKET HEADER ASSEMBLY, UMNL, HIGH TEMPERATURE	
0 PLC ±		PRODUCT SPEC 108-1053	SIZE A2	
1 PLC ±0.5		APPLICATION SPEC 114-133083	CAGE CODE -	
2 PLC ±0.13		WEIGHT -	DRAWING NO C-2213756	
3 PLC ±		CUSTOMER DRAWING	RESTRICTED TO -	
4 PLC ±			SCALE 2:1 SHEET 4 OF 4 REV A1	
ANGLES ±				
FINISH -				

# Mouser Electronics

Authorized Distributor

Click to View Pricing, Inventory, Delivery & Lifecycle Information:

[TE Connectivity:](#)

[2213756-4](#)