

4

3

2

1

THIS DRAWING IS UNPUBLISHED.

RELEASED FOR PUBLICATION

© COPYRIGHT - BY TYCO ELECTRONICS CORPORATION. ALL RIGHTS RESERVED.

LOC	DIST	REVISIONS					
H	-	P	LTR	DESCRIPTION	DATE	DWN	APVD
			A	RELEASED FOR PRODUCTION	24OCT2016	RK	MvE
			A1	CHANGED LASER MARKING	03NOV2016	RK	MvE
			A2	CHANGED LASER MARKING	07MAR2017	RK	MvE
			B	ECR-17-008373	16OCT2017	RK	PO

DIMENSIONS BEFORE APPLICATION

NOTES:

- 2213600-1 AS SHOWN.
- MATERIALS:

CONTACT: PHOSPHOR BRONZE, TIN PLATED
 HOUSING: PC NOT GLASS FILLED
 BUTTONS: PC NOT GLASS FILLED

3 LASER MARKING:

- KEMA
- UL
- TE LOGO
- TE PART NUMBER
- DATE CODE

4 LASER MARKING: IP20

5 LASER MARKING: IP x5/x7

STANDARD	4	A=3.5 B=3.5	16/18 TO 16/18	RED AND RED	CLEAR	1-2213600-0
STANDARD	4	A=4.5 B=4.5	12/14 TO 12/14	YELLOW AND YELLOW	CLEAR	2213600-9
SEALED	5	A=3.5 B=3.5	16/18 TO 16/18	RED AND RED	CLEAR	2213600-8
SEALED	5	A=4.5 B=4.5	12/14 TO 12/14	YELLOW AND YELLOW	CLEAR	2213600-7
STANDARD	4	A=4.0 B=3.5	14/16 TO 16/18	BLUE AND RED	CLEAR	2213600-6
STANDARD	4	A=4.5 B=3.5	12/14 TO 16/18	YELLOW AND RED	CLEAR	2213600-5
STANDARD	4	A=4.5 B=4.0	12/14 TO 14/16	YELLOW AND BLUE	CLEAR	2213600-4
SEALED	5	A=4.0 B=3.5	14/16 TO 16/18	BLUE AND RED	CLEAR	2213600-3
SEALED	5	A=4.5 B=3.5	12/14 TO 16/18	YELLOW AND RED	CLEAR	2213600-2
SEALED	5	A=4.5 B=4.0	12/14 TO 14/16	YELLOW AND BLUE	CLEAR	2213600-1
SEALING		WIRE ENTRY	WIRE SIZE	BUTTON COLORS	HOUSING COLOR	PART NUMBER

THIS DRAWING IS A CONTROLLED DOCUMENT.
 DIMENSIONING AND TOLERANCING PER ASME Y14.5M-2009.

DIMENSIONS:	TOLERANCES UNLESS OTHERWISE SPECIFIED:
mm	
	0 PLC ±0,2
	1 PLC ±0,2
	2 PLC ±0,2
	3 PLC ±
	4 PLC ±
	ANGLES ±
MATERIAL	FINISH

DWN	06 NOV '15
M.V.ESSEN	
CHK	-
C.V.STEENDEREN	
APVD	-
O.I.FIJNSE	
PRODUCT SPEC	108-133061
APPLICATION SPEC	114-133061
WEIGHT	-
CUSTOMER DRAWING	

TE TE Connectivity

COOL SPLICE
 ONE POSITION LARGE WIRE GAUGE

SIZE	CAGE CODE	DRAWING NO	RESTRICTED TO
A3	00779	2213600	-
SCALE 2:1		SHEET 1 OF 3	REV C2

1470-19 (3/11)

THIS DRAWING IS UNPUBLISHED.

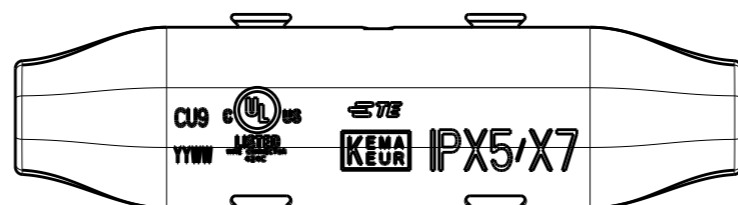
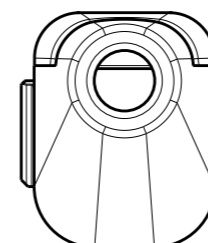
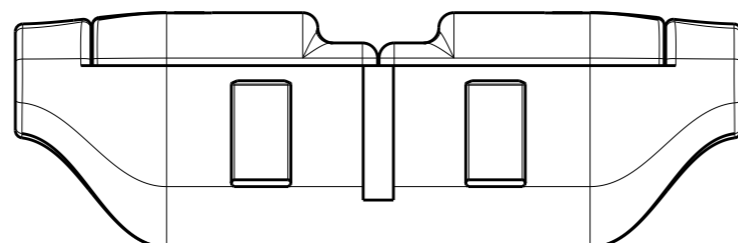
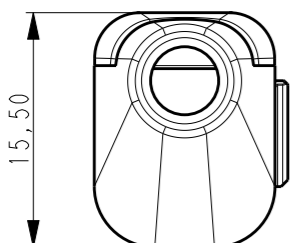
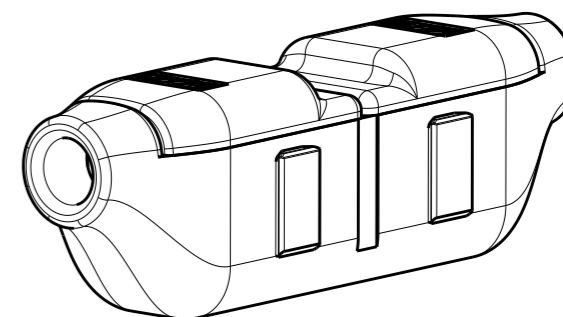
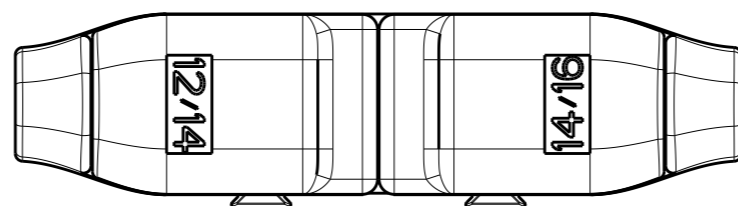
RELEASED FOR PUBLICATION


© COPYRIGHT - BY TYCO ELECTRONICS CORPORATION. ALL RIGHTS RESERVED.

LOC	DIST	REVISIONS					
		P	LTR	DESCRIPTION	DATE	DWN	APVD
		-		SEE SHEET 1	-	-	-

DIMENSIONS AFTER APPLICATION

NOTE:
1. 2213600-1 AS SHOWN.



THIS DRAWING IS A CONTROLLED DOCUMENT.		DWN M.V.ESSSEN	06 NOV'15	 TE Connectivity	
DIMENSIONS: mm		CHK C.V.STEENDEREN	-		
TOLERANCES UNLESS OTHERWISE SPECIFIED:		APVD O.I.FIJNSE	-	NAME COOL SPLICE ONE POSITION LARGE WIRE GAUGE	
0 PLC ±-		PRODUCT SPEC 108-133061	-	SIZE A3	
1 PLC ±0,2		APPLICATION SPEC 114-133061	-	CAGE CODE 00779	DRAWING NO C-2213600
2 PLC ±0,2		WEIGHT -	-	RESTRICTED TO -	
3 PLC ±-		CUSTOMER DRAWING		SCALE 1:1	SHEET 2 OF 3
4 PLC ±-				REV C2	
ANGLES ±-					
FINISH -					

THIS DRAWING IS UNPUBLISHED.

RELEASED FOR PUBLICATION

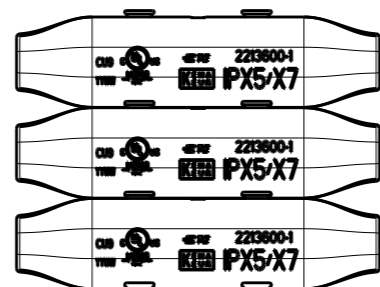
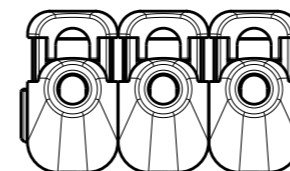
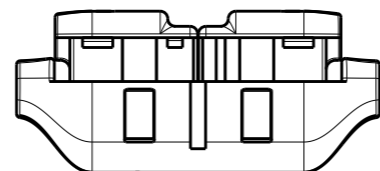
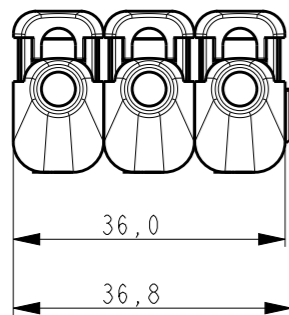
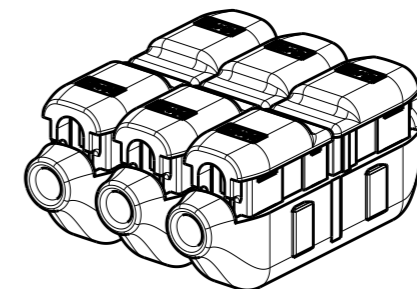
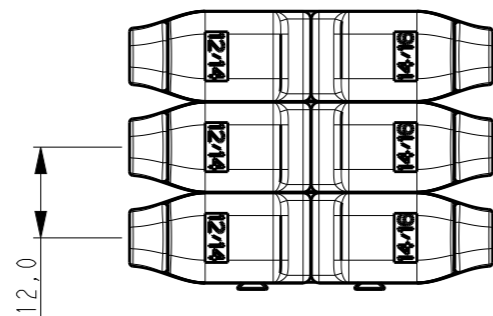
© COPYRIGHT - BY TYCO ELECTRONICS CORPORATION. ALL RIGHTS RESERVED.

LOC DIST

REVISIONS

P	LTR	DESCRIPTION	DATE	DWN	APVD
-	-	SEE SHEET 1	-	-	-

DIMENSIONS AFTER STACKING



THIS DRAWING IS A CONTROLLED DOCUMENT.

DIMENSIONS:	
mm	
MATERIAL	
-	

TOLERANCES UNLESS OTHERWISE SPECIFIED:	
0 PLC	±-
1 PLC	±0,2
2 PLC	±0,2
3 PLC	±-
4 PLC	±-
ANGLES	±-
FINISH	
-	

DWN	M.V.ESSSEN	06 NOV'15
CHK	C.V.STEENDEREN	-
APVD	O.I.FIJNSE	-
PRODUCT SPEC	108-133061	-
APPLICATION SPEC	114-133061	-
WEIGHT	-	-
CUSTOMER DRAWING		

		TE Connectivity	
		NAME	
COOL SPLICE		ONE POSITION LARGE WIRE GAUGE	
-		-	
SIZE	CAGE CODE	DRAWING NO	RESTRICTED TO
A3	00779	C-2213600	-
SCALE		SHEET	REV
1:1		3 OF 3	C2

Mouser Electronics

Authorized Distributor

Click to View Pricing, Inventory, Delivery & Lifecycle Information:

[TE Connectivity:](#)

[2213600-3](#)