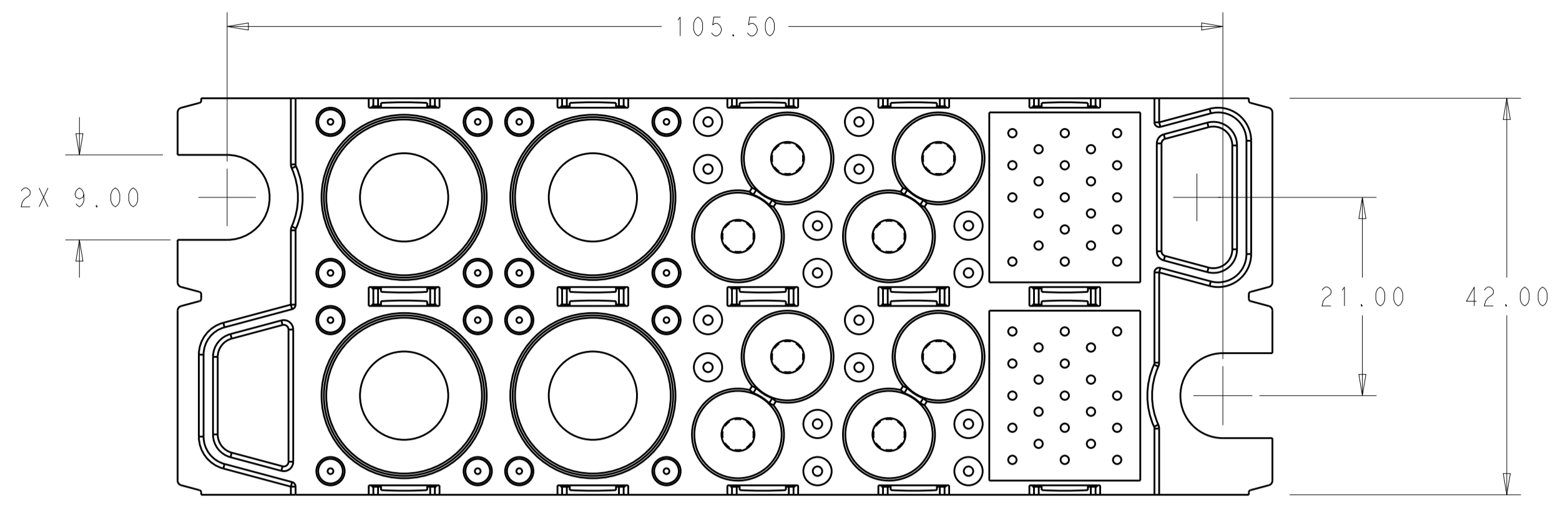
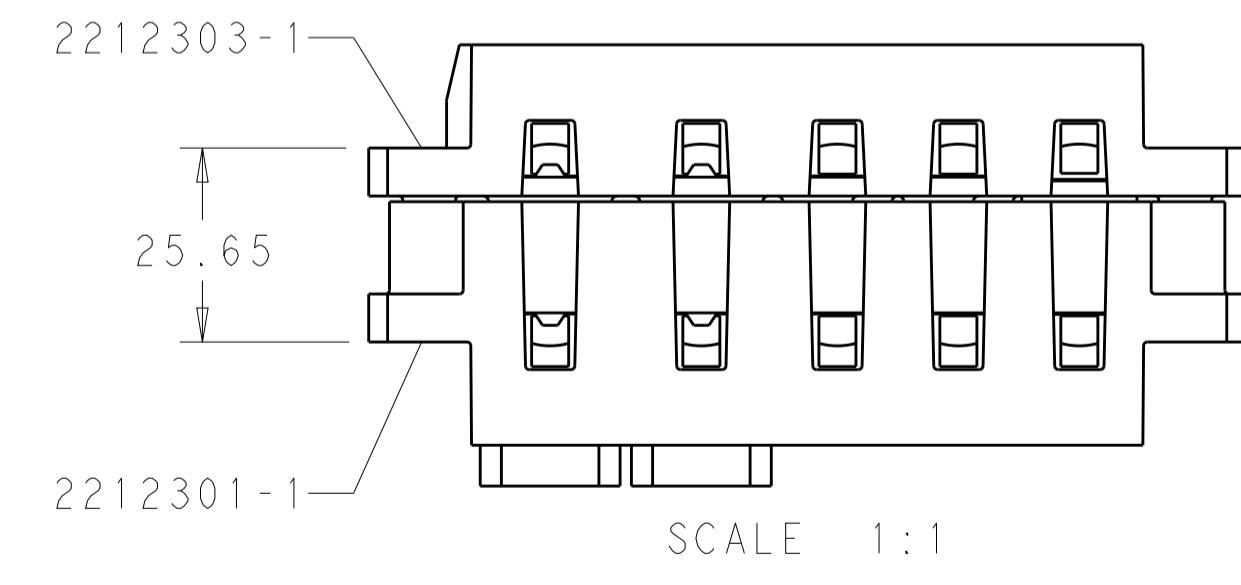
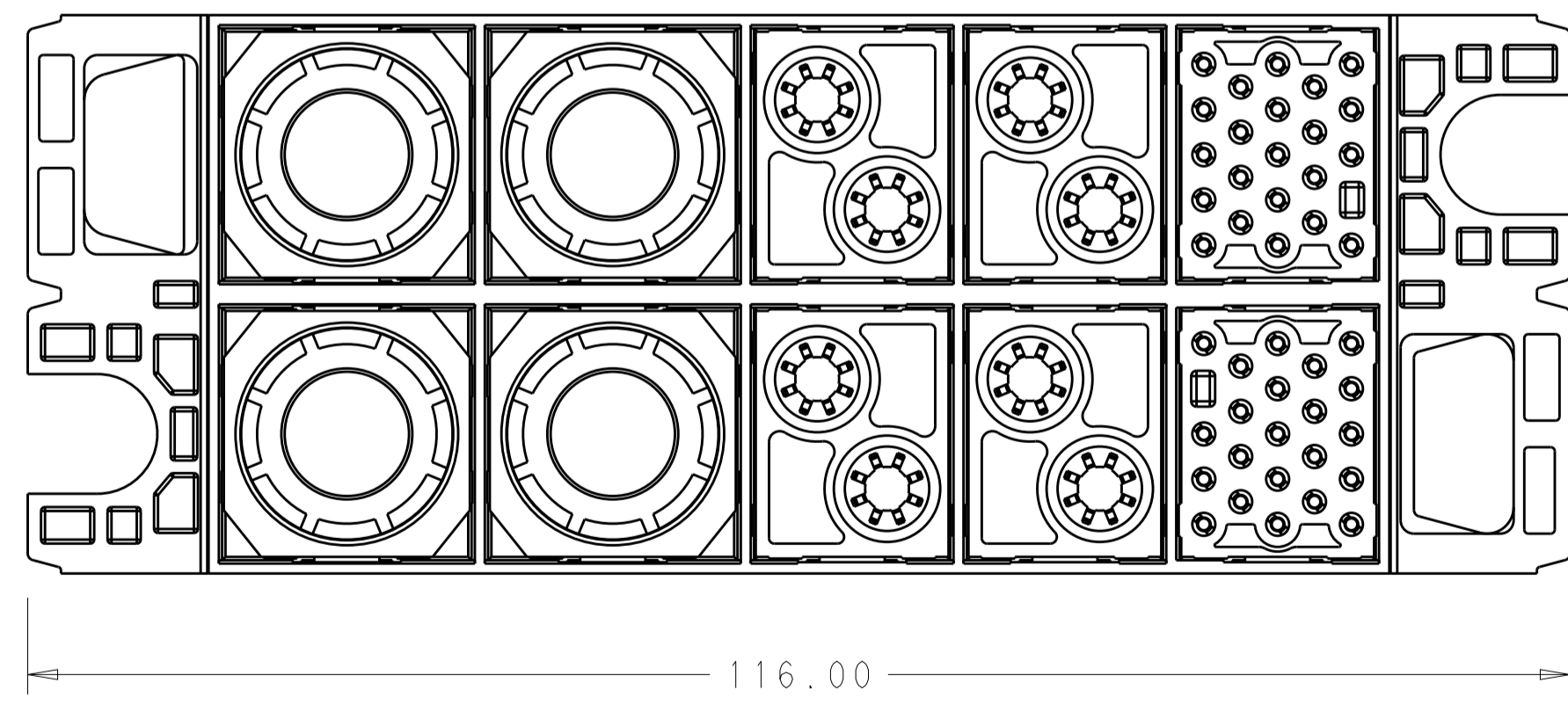
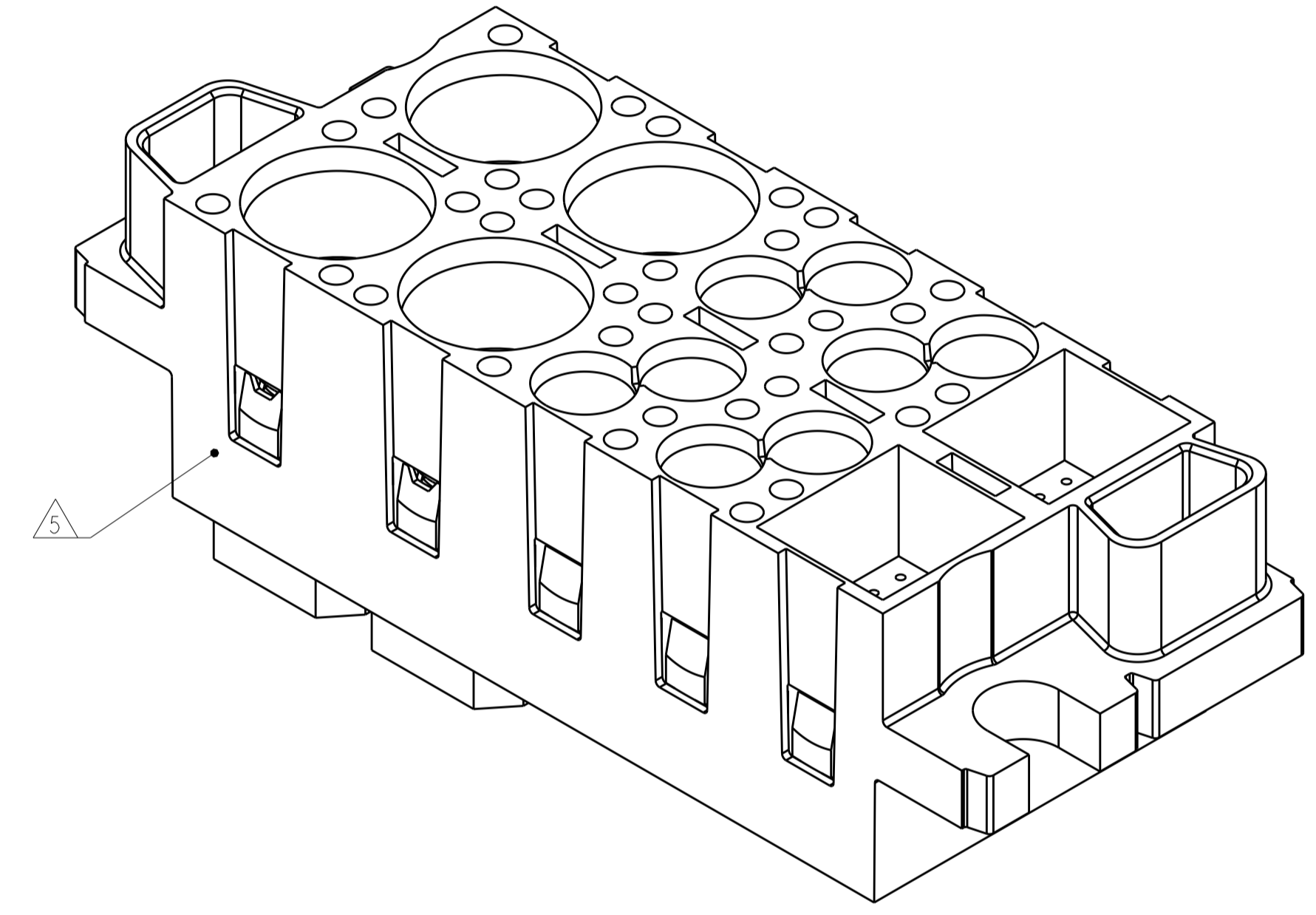
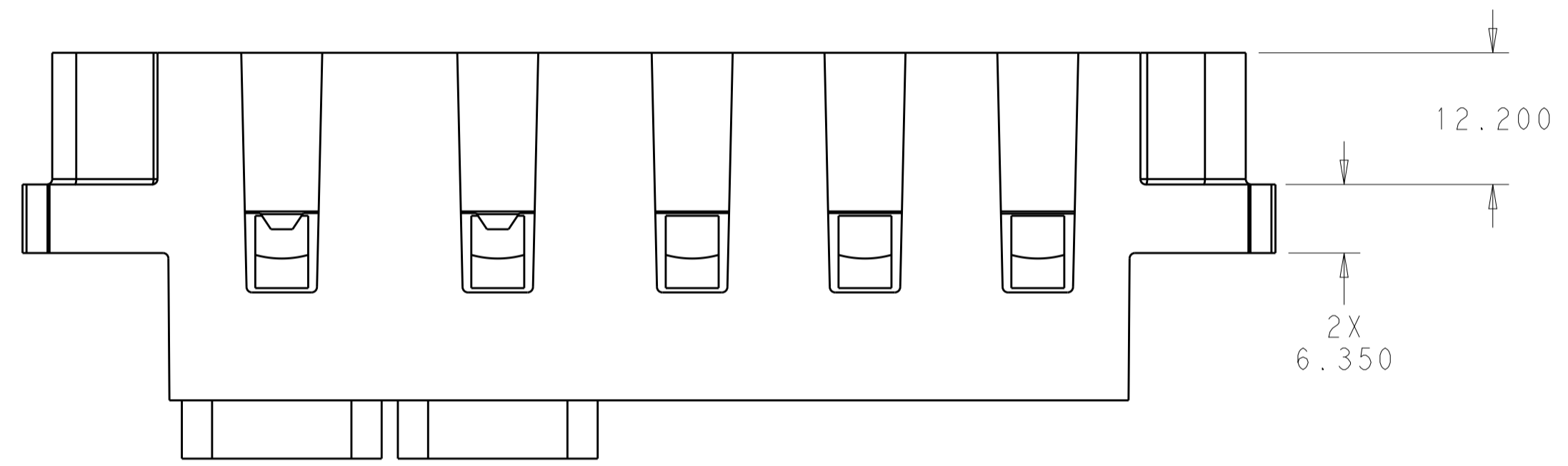
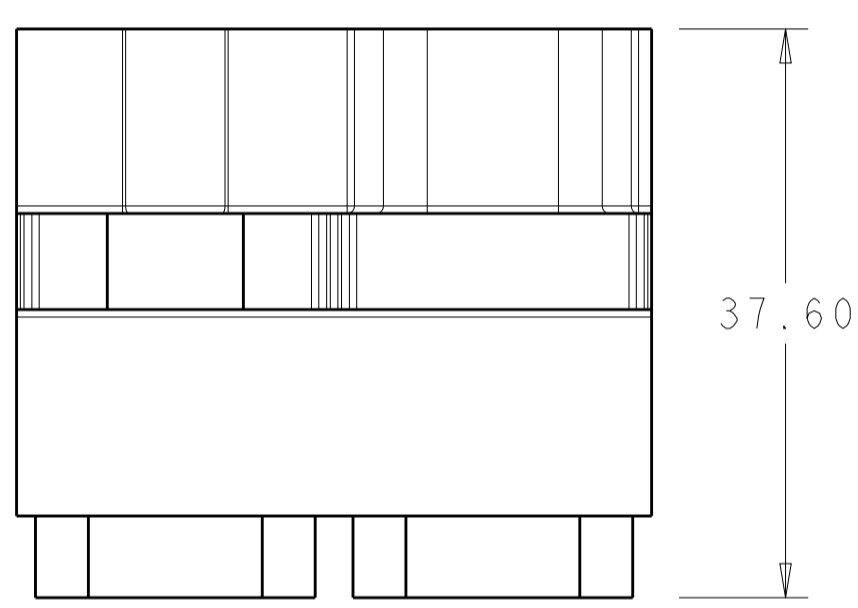


LOC		DIST		REVISIONS			
				DESCRIPTION	DATE	OWN	APVD
-	-	-	-				



- 1 HOUSING: THERMOPLASTIC, COLOR BLACK, FLAMMABILITY RATING UL 94 V-0.
- 2 THIS ASSEMBLY TO MATE WITH TEC PART NUMBER 2212303-1.
- 3. RECOMMENDED SHOULDER SCREW:
2212056, FLOAT MOUNT
2212055, FIXED MOUNT
- 4 RECOMMENDED PANEL CUTOUT FOR FRONT PANEL MOUNT APPLICATION.
RECOMMENDED PANEL THICKNESS 1.5 TO 1.78.
- 5 DATE CODE AND PART NUMBER IN APPROXIMATE AREA SHOWN.



SCALE 1:1

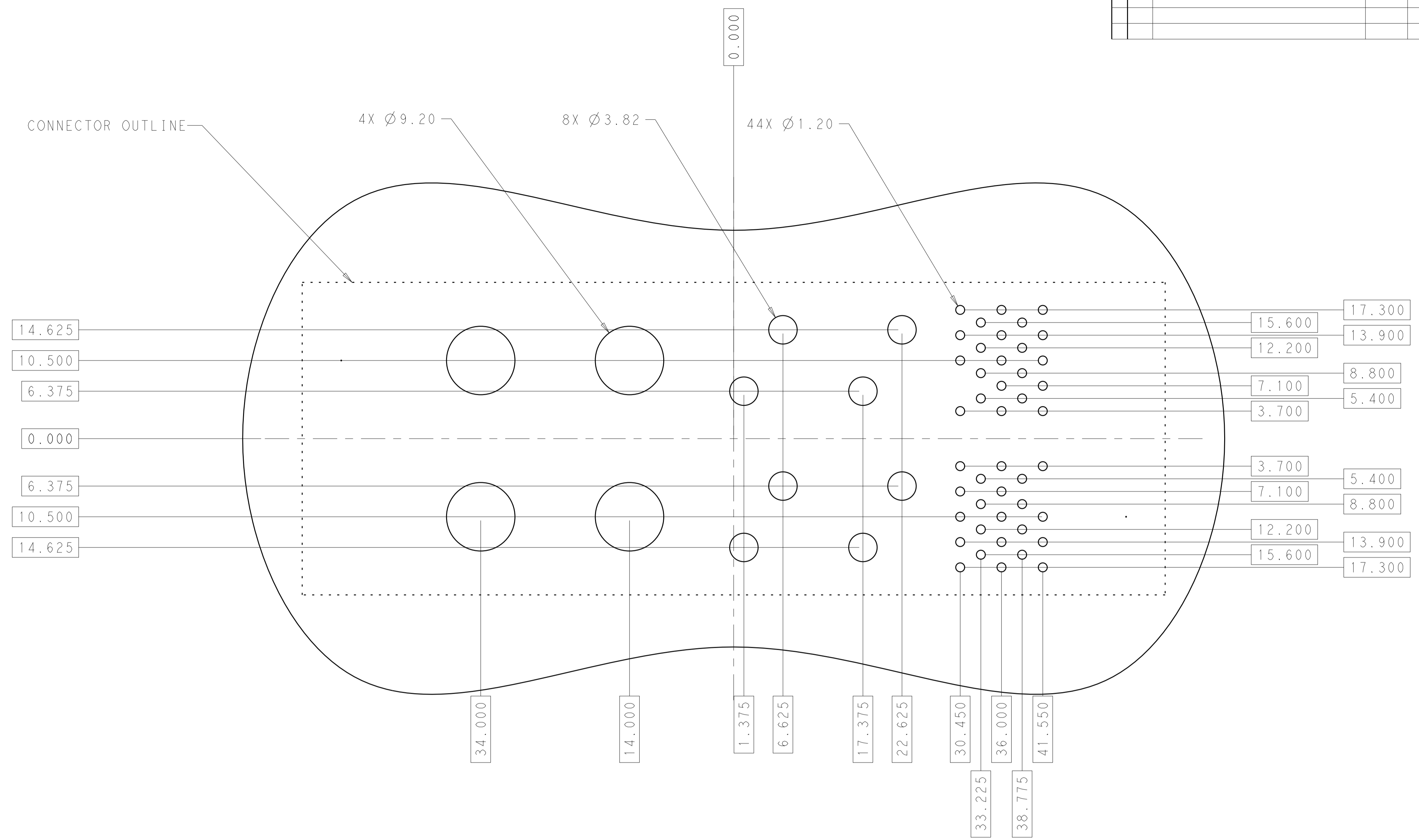
FULLY MATED ASSEMBLIES 2

CONNECTOR, PIN, FORGE 4x#0,0x#4,4x#8,0x#12,2x#22	2212301-1
DESCRIPTION	PART NO.

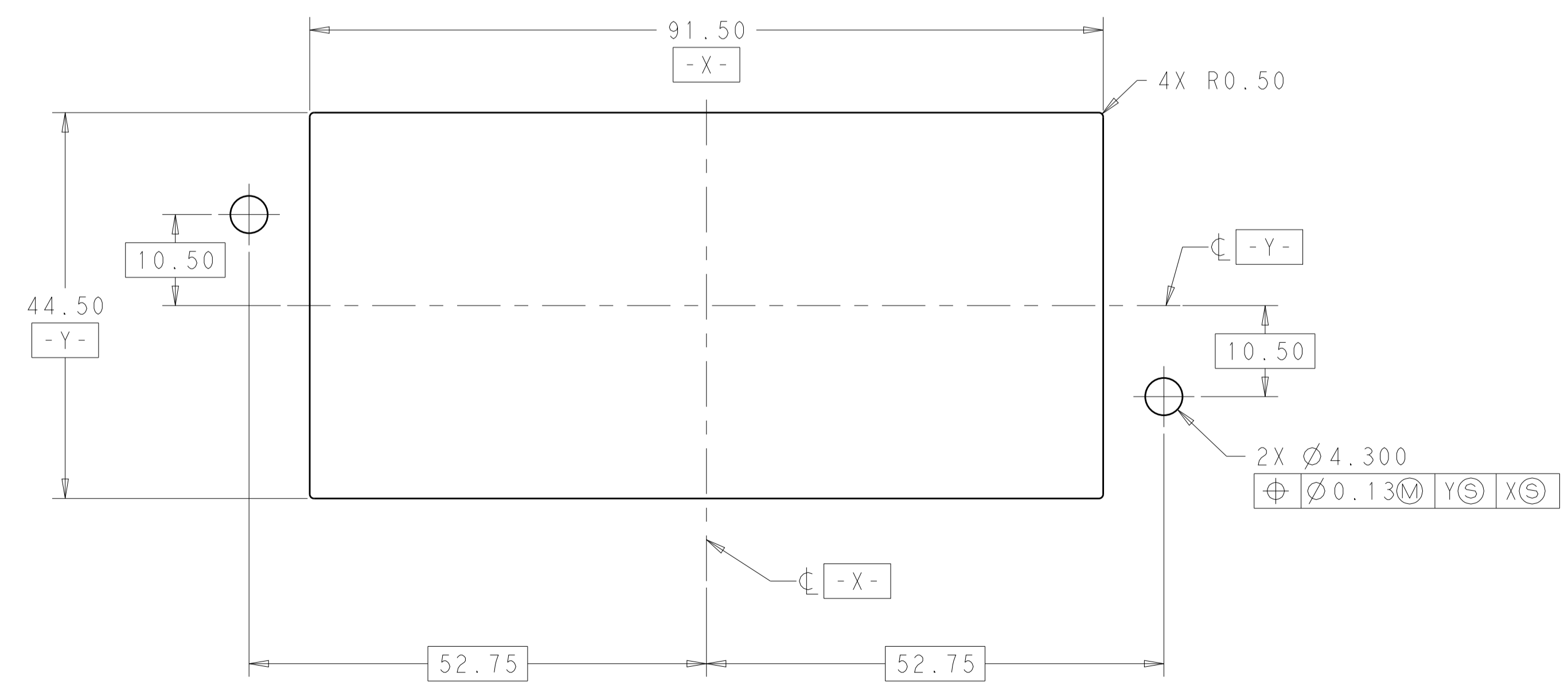
THIS PRINT IS
PRELIMINARY
 UNQUALIFIED PRODUCT
 CONTACT PRODUCT ENGINEERING
 BEFORE USING THIS PRINT

THIS DRAWING IS A CONTROLLED DOCUMENT.		OWN: R. TREA 10FEB2015	TE Connectivity NAME: CONNECTOR, PIN, FORGE 4x#0,0x#4,4x#8,0x#12,2x#22 CONFIGURATION
DIMENSIONS: mm		CHK: E. WICKES 10FEB2015	
TOLERANCES UNLESS OTHERWISE SPECIFIED:		APVD: D. ORRIS 10FEB2015	
0 PLC ±N/A 1 PLC ±N/A 2 PLC ±0.25 3 PLC ±0.13 4 PLC ±N/A ANGLES ±N/A		PRODUCT SPEC: 108-2323 APPLICATION SPEC: 114-13299 WEIGHT: - Customer Drawing	
MATERIAL: -		SIZE: A1	CAGE CODE: 00779 DRAWING NO: 2212301 RESTRICTED TO: - SCALE: 1:1 SHEET 1 OF 2 REV 1

LOC		DIST		REVISIONS			
P	LTN	DESCRIPTION	DATE	DWN	APVD		
-	-	SEE SHEET 1	-	-	-		



RECOMMENDED PCB LAYOUT
SCALE 3:1



RECOMMENDED PANEL CUTOUT
SCALE 2:1

THIS DRAWING IS A CONTROLLED DOCUMENT.		DWN R. IREDA 10FEB2015	TE Connectivity
DIMENSIONS: mm		CHK E. WICKES 10FEB2015	
TOLERANCES UNLESS OTHERWISE SPECIFIED:		APVD D. ORRIS 10FEB2015	NAME CONNECTOR, PIN, FORGE
0 PLC ±N/A		PRODUCT SPEC	4x#0, 0x#4, 4x#8, 0x#12, 2x#22
1 PLC ±N/A		108-2323	CONFIGURATION
2 PLC ±0.25		APPLICATION SPEC	
3 PLC ±0.13		114-13299	SIZE CAGE CODE DRAWING NO. RESTRICTED TO
4 PLC ±N/A		WEIGHT	A100779C=2212301
ANGLES ±N/A		Customer Drawing	SCALE 1:1 SHEET 2 OF 2 REV 1

Mouser Electronics

Authorized Distributor

Click to View Pricing, Inventory, Delivery & Lifecycle Information:

[TE Connectivity:](#)

[2212301-1](#)