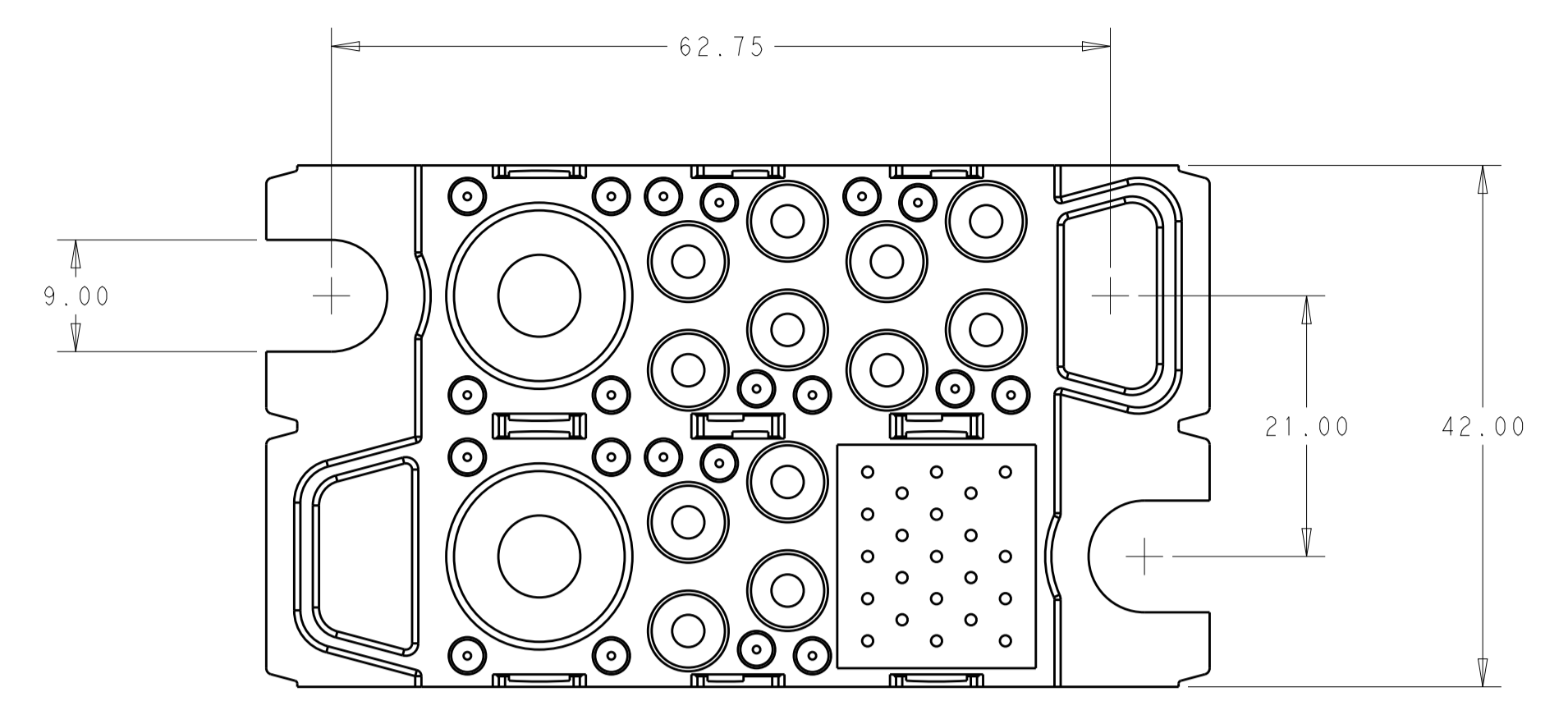
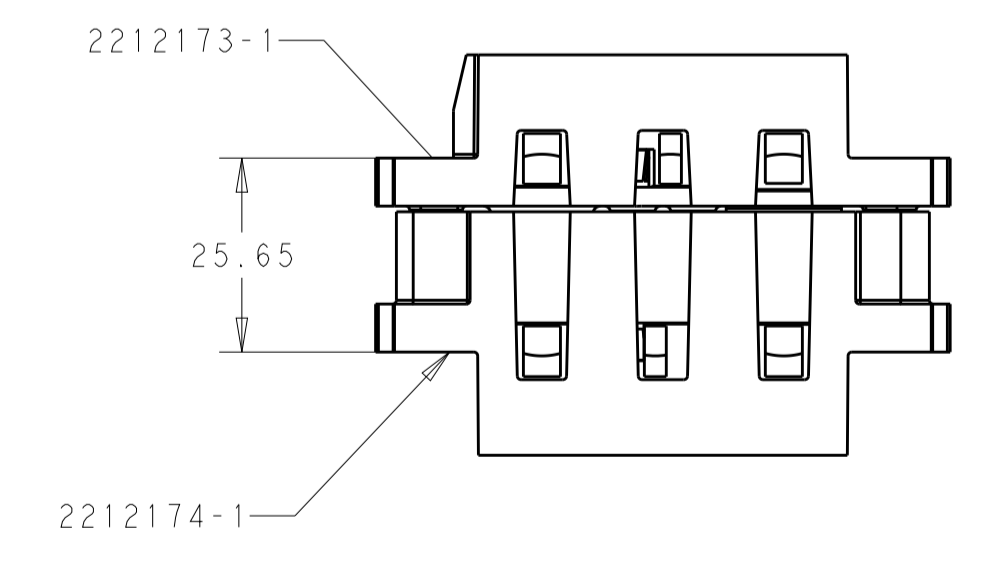
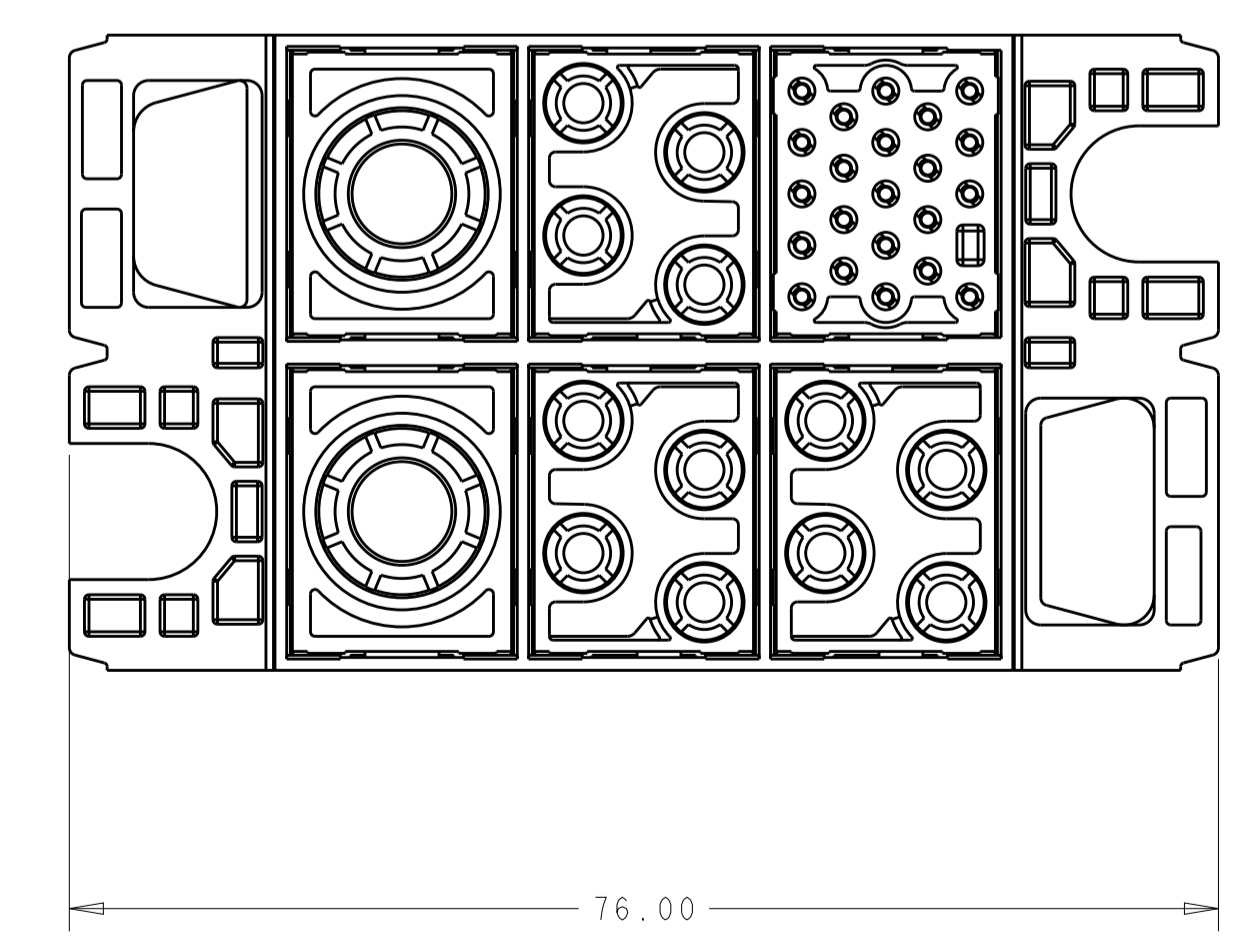
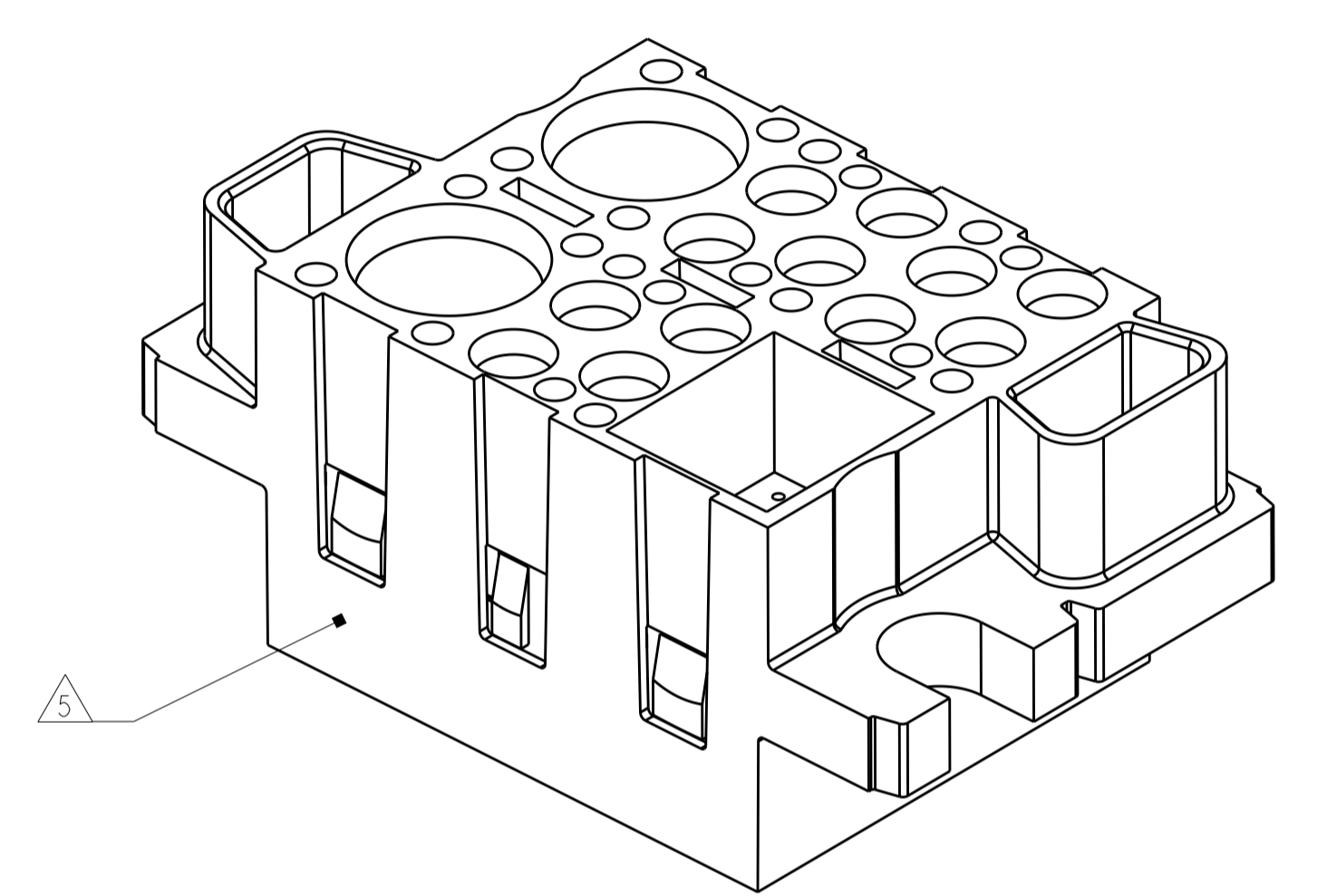
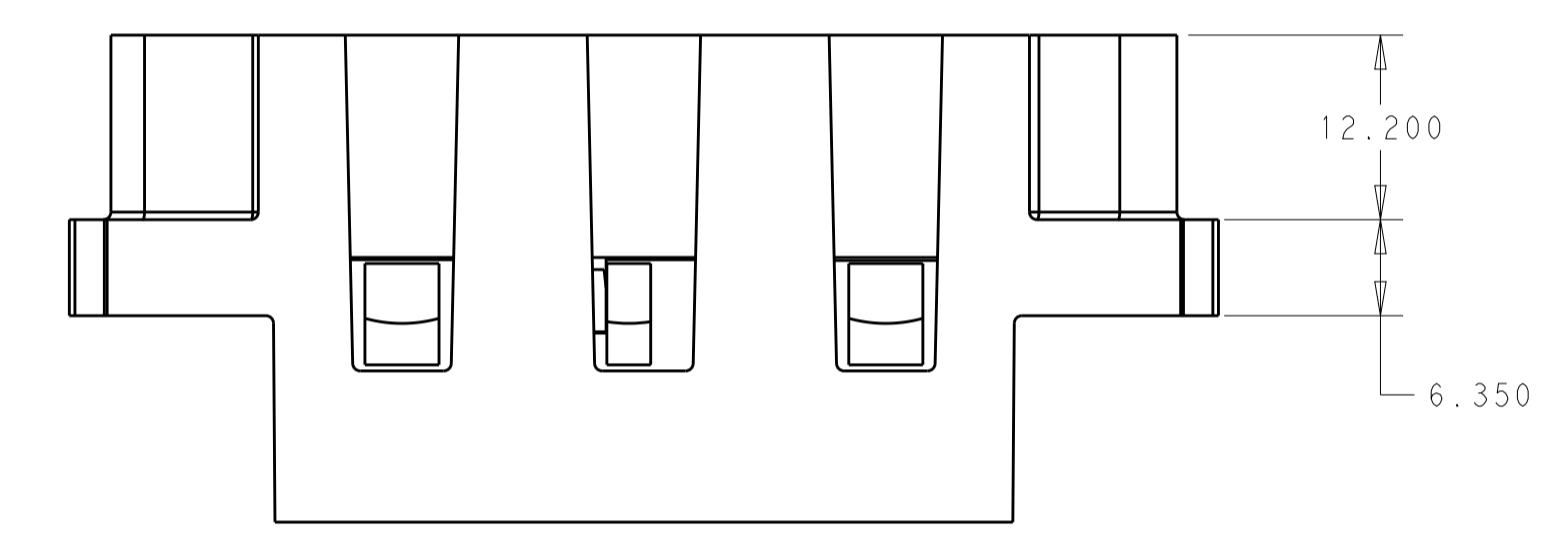
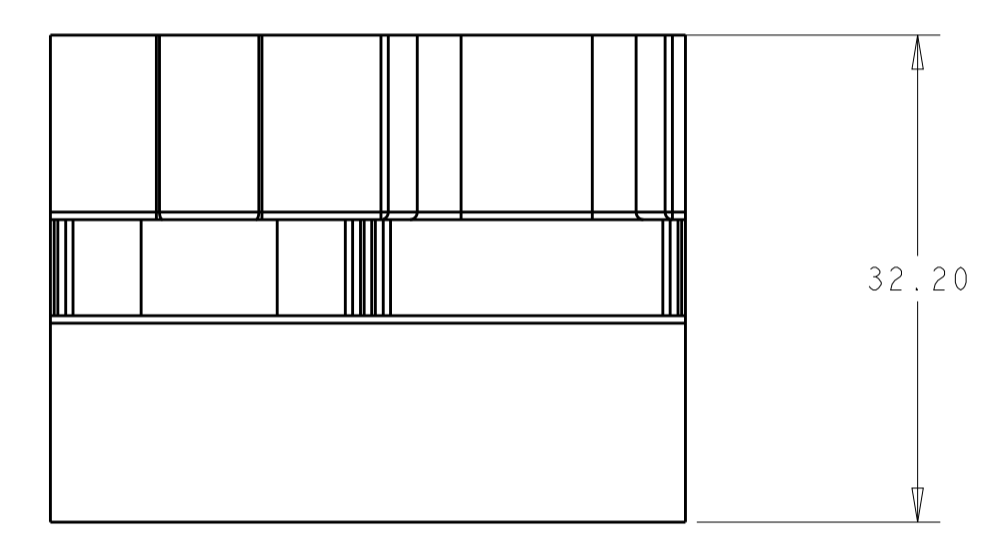


REVISIONS				
P.	LTN	DESCRIPTION	DATE	APP'D

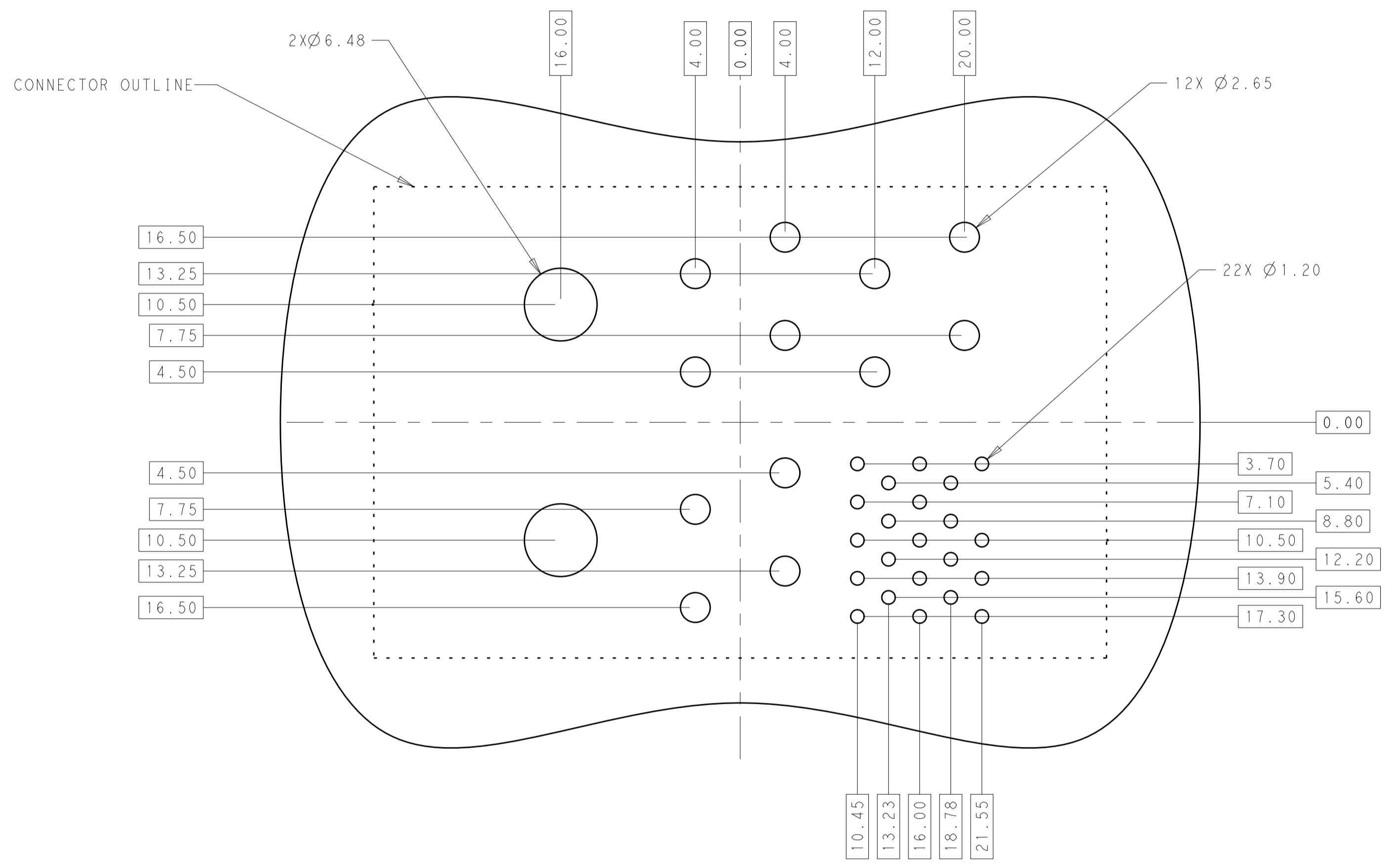


- ① HOUSING: THERMOPLASTIC, COLOR BLACK, FLAMMABILITY RATING UL 94 V-0.
- ② THIS ASSEMBLY TO MATE WITH TEC PART NUMBER ***.
- 3. RECOMMENDED SHOULDER SCREW:
 2212056, FLOAT MOUNT
 2212055, FIXED MOUNT
- ④ RECOMMENDED PANEL CUTOUT FOR FRONT PANEL MOUNT APPLICATION.
 RECOMMENDED PANEL THICKNESS 1.5 TO 1.78.
- ⑤ DATE CODE AND PART NUMBER IN APPROXIMATE AREA SHOWN.

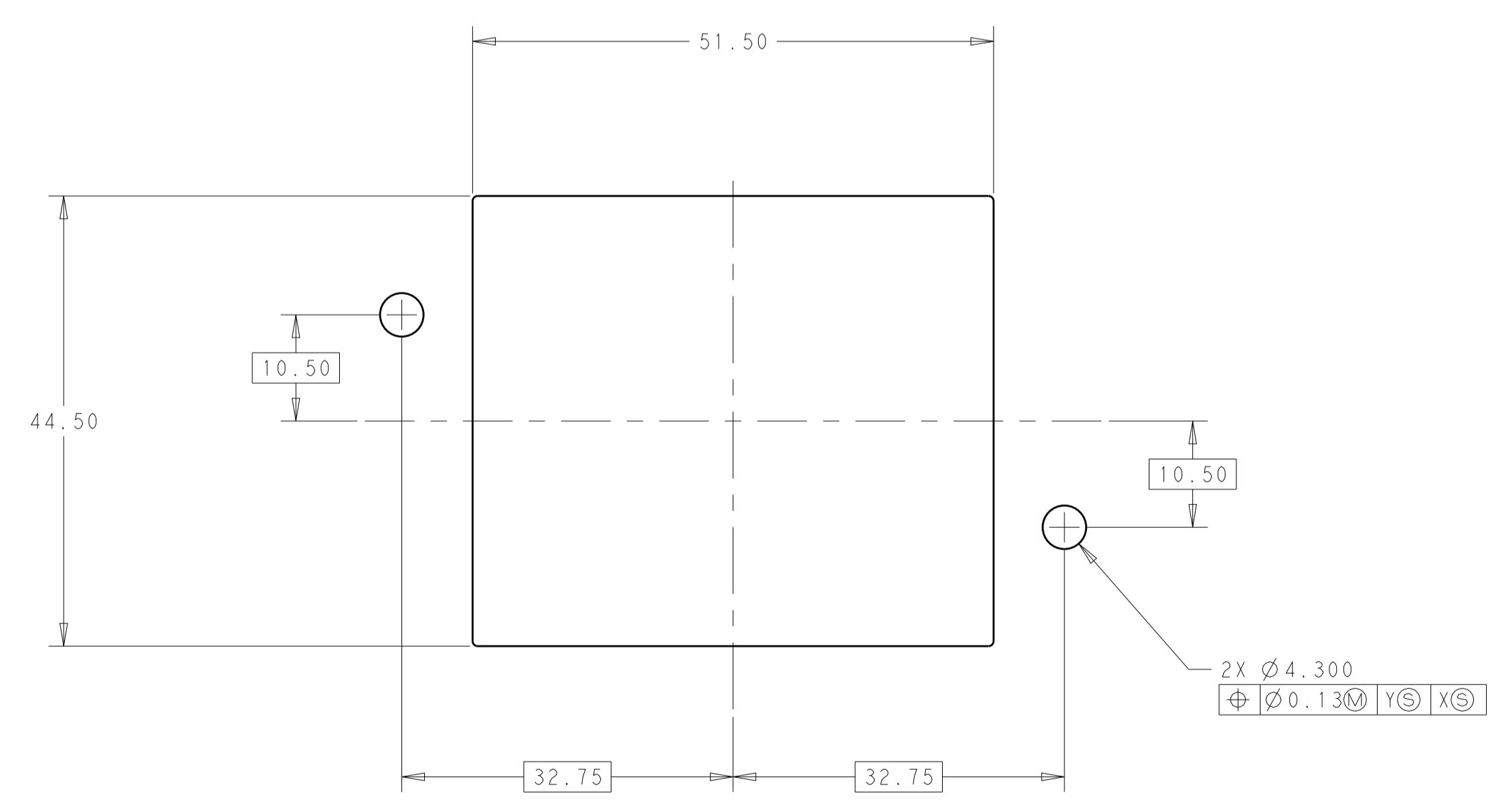


CONNECTOR, PIN, FORGE 0x#0, 2x#4, 0x#8, 3x#12, 1x#22,		2212174-1	
DESCRIPTION		PART NO.	
THIS DRAWING IS A CONTROLLED DOCUMENT.		OWN R. TREA	29JAN2015
DIMENSIONS: mm [INCHES]		CHK E. WICKES	29JAN2015
TOLERANCES UNLESS OTHERWISE SPECIFIED:		APP'D S. ORRIS	29JAN2015
0 PLC	±	PRODUCT SPEC	NAME
1 PLC	±0.2	108-2323	CONNECTOR, PIN, FORGE
2 PLC	±0.30	APPLICATION SPEC	0x#0, 2x#4, 0x#8, 3x#12, 1x#22
3 PLC	±0.130	114-13299	SIZE
4 PLC	±0.0001	WEIGHT	A1
ANGLES	±	CUSTOMER DRAWING	SCALE
MATERIAL	TBD	RESTRICTED TO	1:1
FINISH	-	1	SHEET
		2	OF
		1	REV

REVISIONS				
P.	LTN.	DESCRIPTION	DATE	APVD.
-	-	SEE SHEET 1	-	-



PCB LAYOUT
SCALE 3:1



RECOMMENDED PANEL LAYOUT
SCALE 2:1

THIS DRAWING IS A CONTROLLED DOCUMENT.		OWN R. IREA 29JAN2015	TE Connectivity	
DIMENSIONS: mm [INCHES]		CHK E. WICKES 29JAN2015	NAME CONNECTOR, PIN, FORGE	
TOLERANCES UNLESS OTHERWISE SPECIFIED:		APVD S. ORRIS 29JAN2015	PRODUCT SPEC 108-2323	
0 PLC ±0.2 1 PLC ±0.30 2 PLC ±0.130 3 PLC ±0.0001 4 PLC ±0.0001 ANGLES ±0.0001		APPLICATION SPEC 114-13299		
MATERIAL TBD	FINISH -	WEIGHT -	SIZE A1	RESTRICTED TO -
CUSTOMER DRAWING		SCALE 1:1	DRAWING NO. C=2212174	SHEET 2 OF 2
			REV 1	

Mouser Electronics

Authorized Distributor

Click to View Pricing, Inventory, Delivery & Lifecycle Information:

[TE Connectivity:](#)

[2212174-1](#)