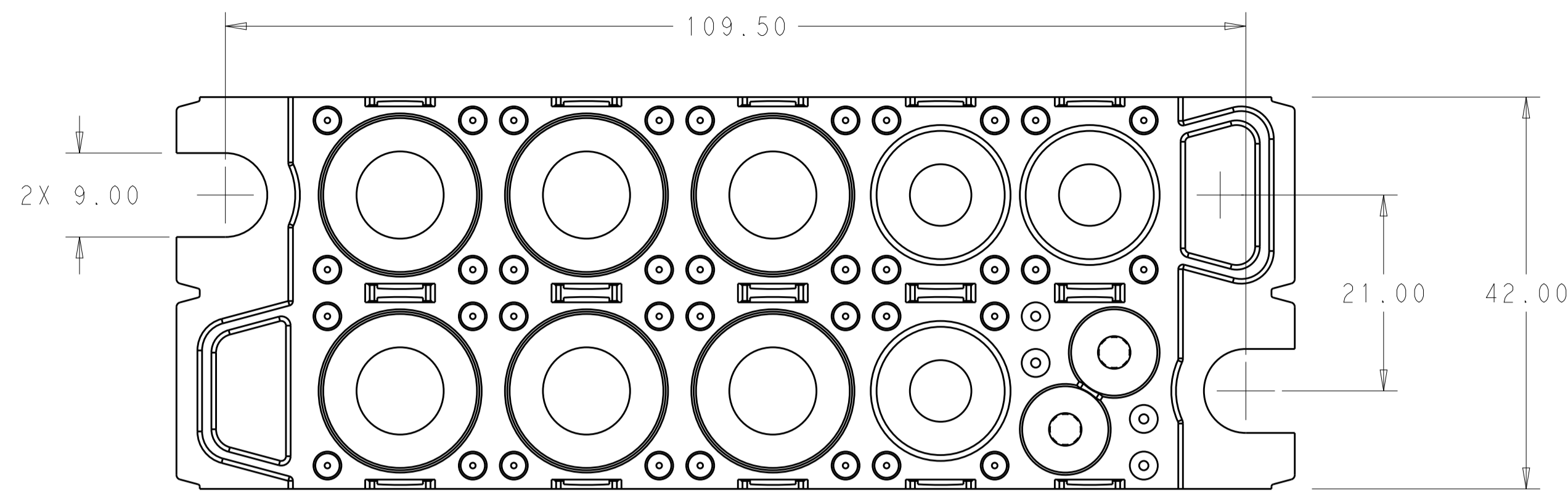
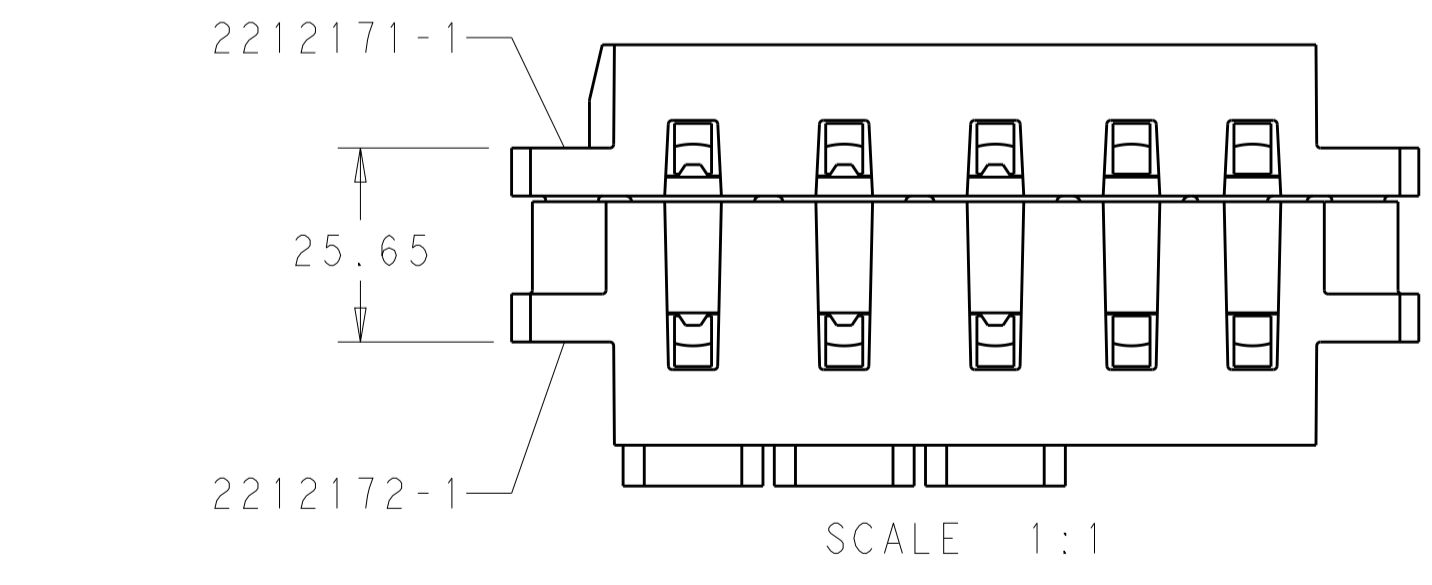
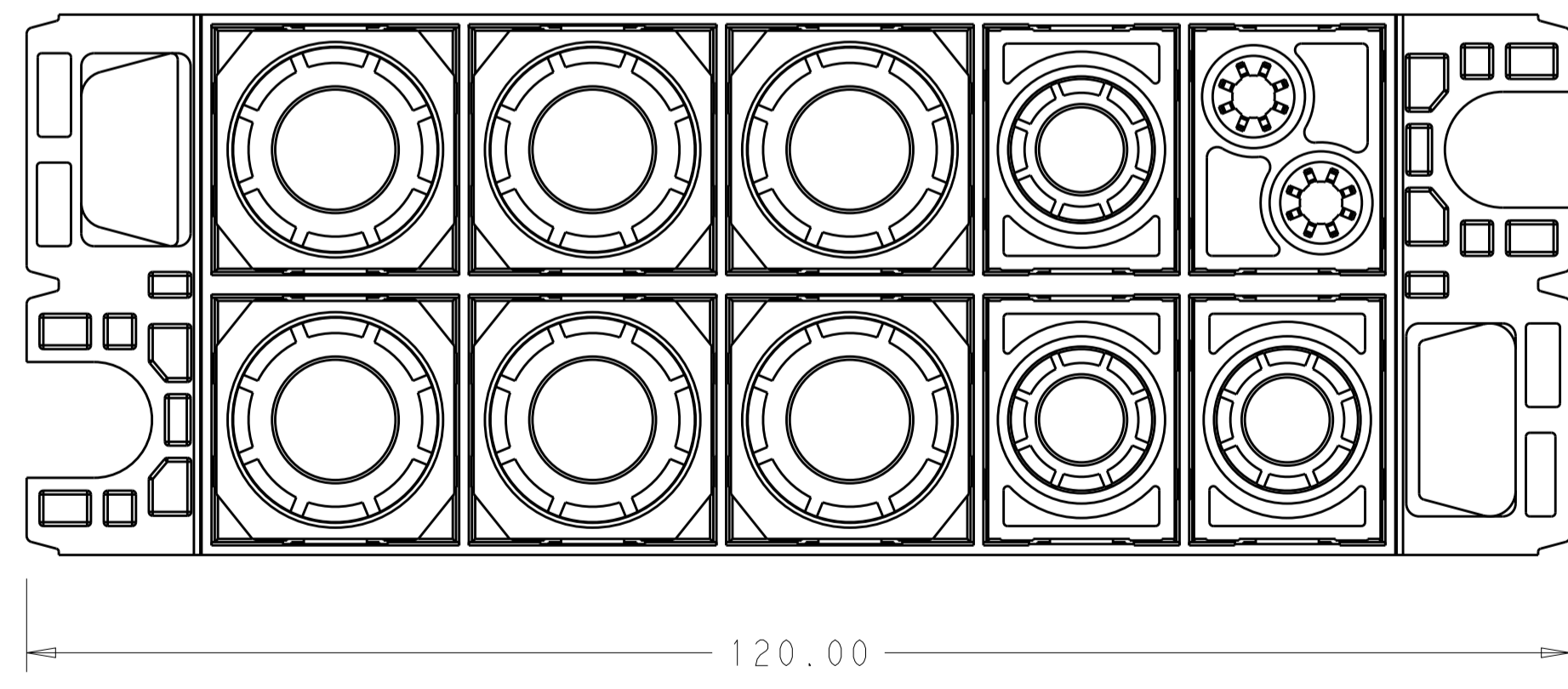
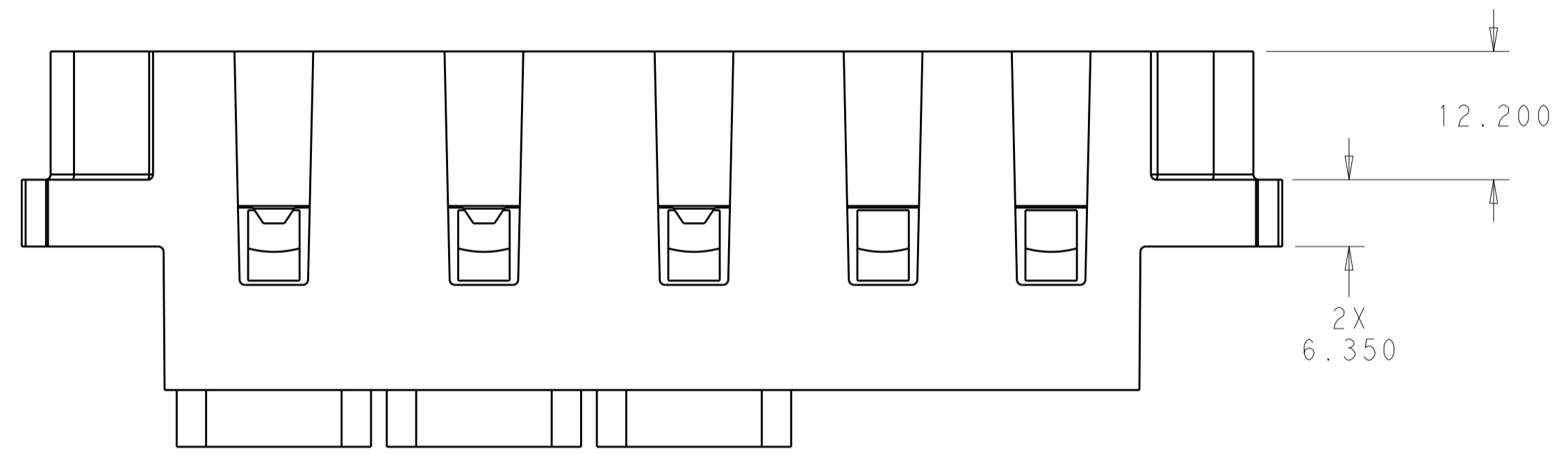
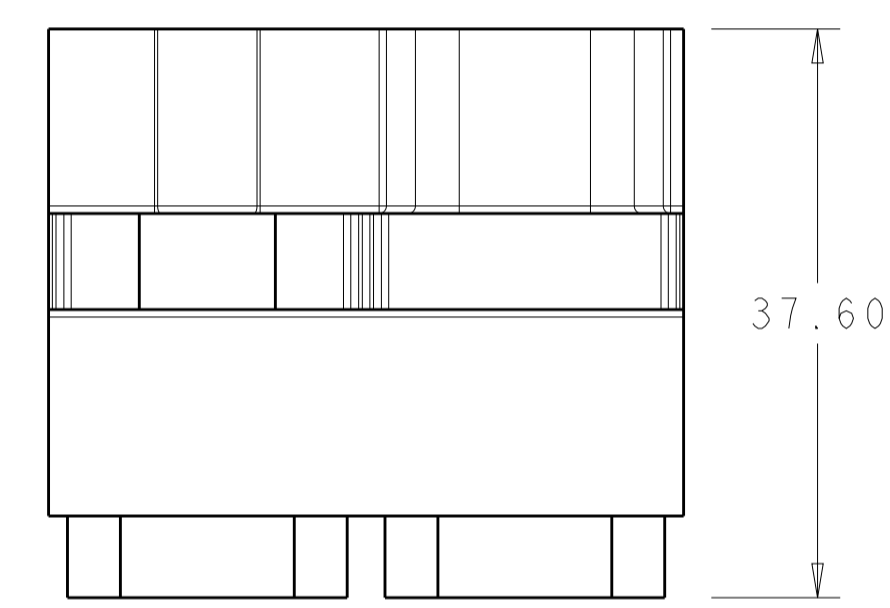
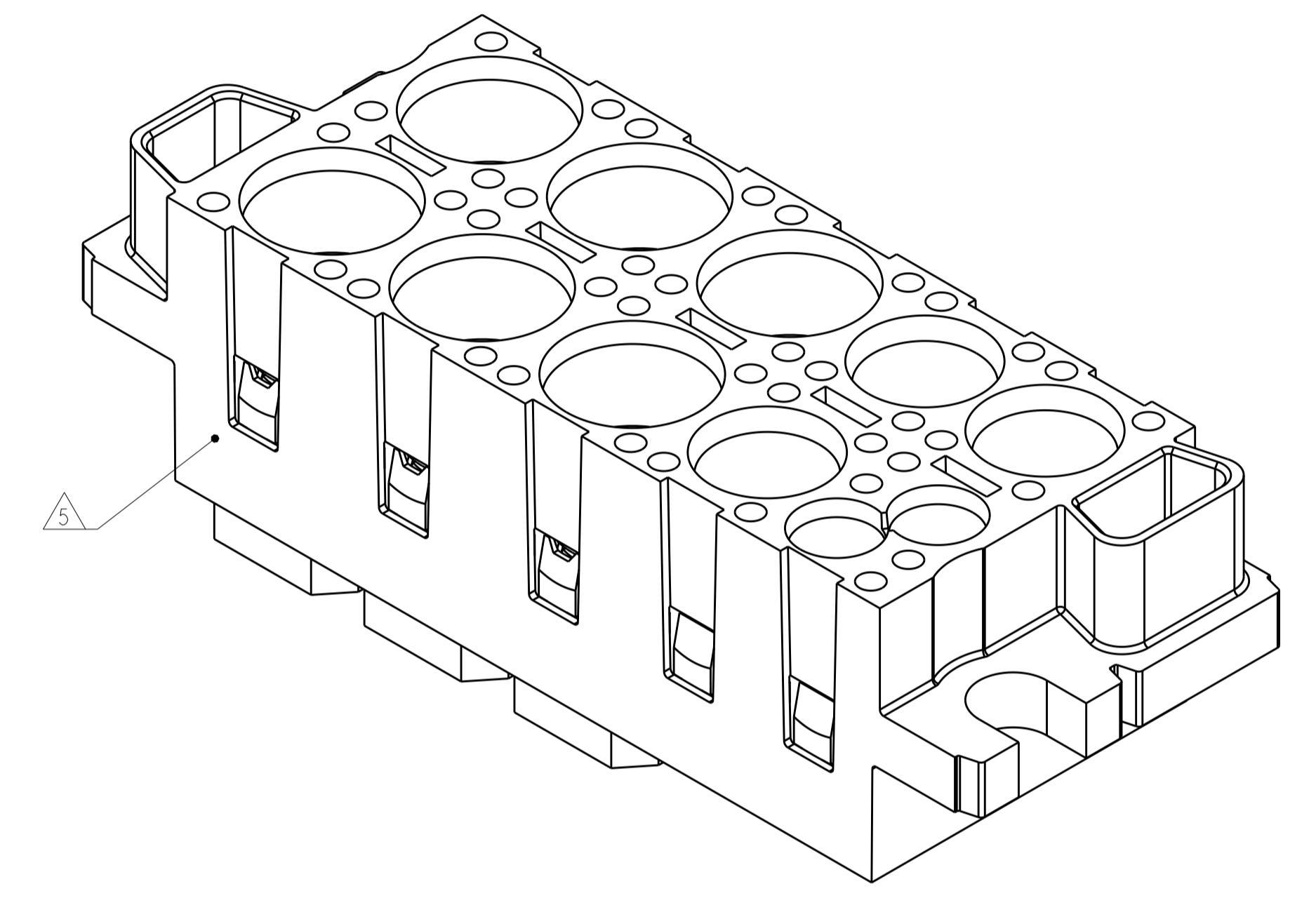


LOC		DIST		REVISIONS			
				DESCRIPTION	DATE	DWN	APVD
		2		STANDARDIZE DWG	11FEB2015	RT	EW



- 1 HOUSING: THERMOPLASTIC, COLOR BLACK, FLAMMABILITY RATING UL 94 V-0.
- 2 THIS ASSEMBLY TO MATE WITH TEC PART NUMBER 2212171-1.
- 3. RECOMMENDED SHOULDER SCREW:
 2212056, FLOAT MOUNT
 2212055, FIXED MOUNT
- 4 RECOMMENDED PANEL CUTOUT FOR FRONT PANEL MOUNT APPLICATION.
 RECOMMENDED PANEL THICKNESS 1.5 TO 1.78.
- 5 DATE CODE AND PART NUMBER IN APPROXIMATE AREA SHOWN.



SCALE 1:1

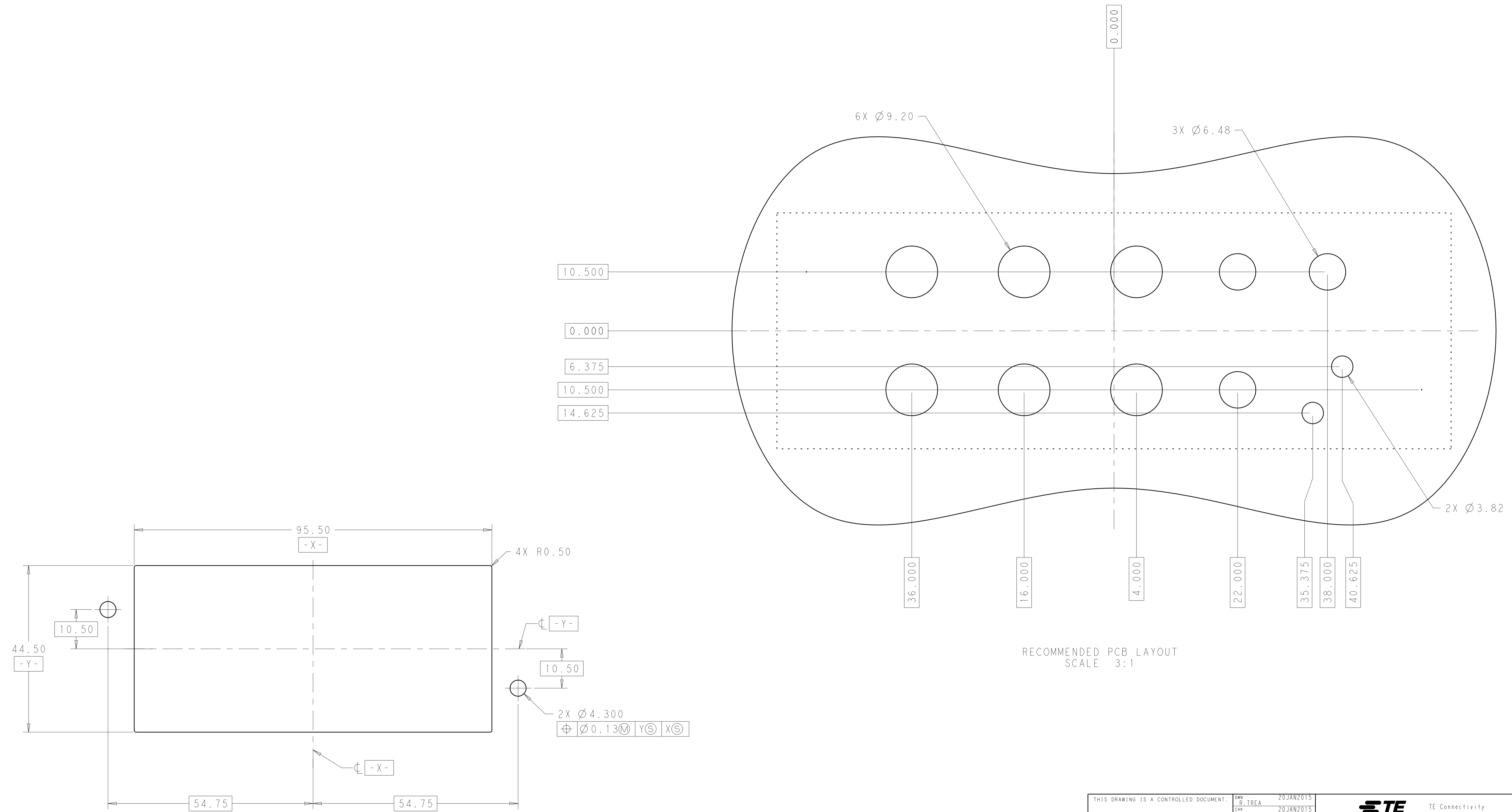
FULLY MATED ASSEMBLIES 2

CONNECTOR, PIN, FORGE 6x#0,3x#4,1x#8,0x#12,0x#22	2212172-1
DESCRIPTION	PART NO.

THIS PRINT IS
PRELIMINARY
 UNQUALIFIED PRODUCT
 CONTACT PRODUCT ENGINEERING
 BEFORE USING THIS PRINT

THIS DRAWING IS A CONTROLLED DOCUMENT.		DWN R. IRENA 20JAN2015	NAME CONNECTOR, PIN, FORGE 6x#0,3x#4,1x#8,0x#12,0x#22 CONFIGURATION	
DIMENSIONS: mm		CHK E. WICKES 20JAN2015	RESTRICTED TO	
TOLERANCES UNLESS OTHERWISE SPECIFIED:		APVD S. STRICKLER 20JAN2015	SIZE A100779C=2212172	
0 PLC ±N/A		PRODUCT SPEC	SCALE 2:1 SHEET 1 OF 2 REV 2	
1 PLC ±N/A		108-2323		
2 PLC ±0.25		APPLICATION SPEC		
3 PLC ±0.13		114-13299		
4 PLC ±N/A		WEIGHT		
ANGLES ±N/A		Customer Drawing		
FINISH				

LOC		DIST		REVISIONS			
		P	LTN	DESCRIPTION	DATE	DMN	APVD
-	-	-	-	SEE SHEET 1	-	-	-



RECOMMENDED PCB LAYOUT
SCALE 3:1

RECOMMENDED PANEL CUTOUT
SCALE 2:1

2X Ø4.300	±0.13	M	YS	XS
-----------	-------	---	----	----

THIS DRAWING IS A CONTROLLED DOCUMENT.		DMN R. IREA	20JAN2015		TE Connectivity
DIMENSIONS: mm		CHK E. WICKES	20JAN2015		
TOLERANCES UNLESS OTHERWISE SPECIFIED:		APVD S. STRICKLER	20JAN2015	NAME CONNECTOR, PIN, FORGE	
0 PLC ±N/A		PRODUCT SPEC		6x#0, 3x#4, 1x#8, 0x#12, 0x#22	
1 PLC ±N/A		APPLICATION SPEC		CONFIGURATION	
2 PLC ±0.25		SIZE		CAGE CODE	
3 PLC ±0.13		DRAWING NO		DRAWING NO	
4 PLC ±N/A		WEIGHT		RESTRICTED TO	
ANGLES ±N/A		114-13299		A100779	
FINISH ±N/A		Customer Drawing		SCALE 1:1	
		SHEET 2 OF 2		REV 2	

Mouser Electronics

Authorized Distributor

Click to View Pricing, Inventory, Delivery & Lifecycle Information:

[TE Connectivity:](#)

[2212172-1](#)