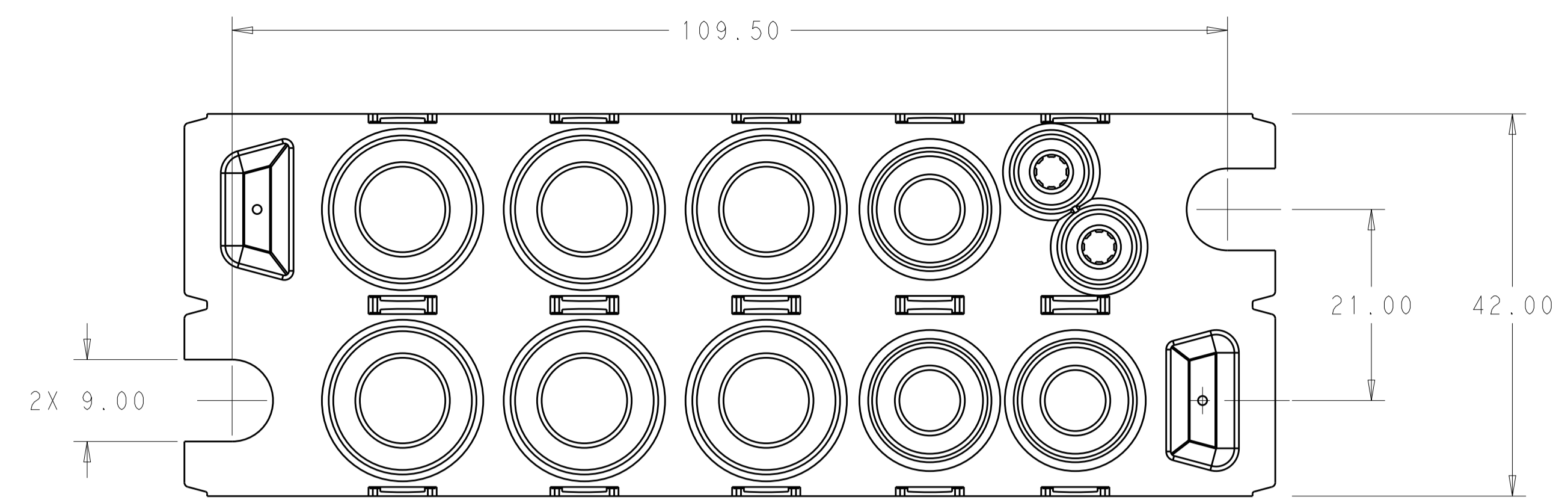
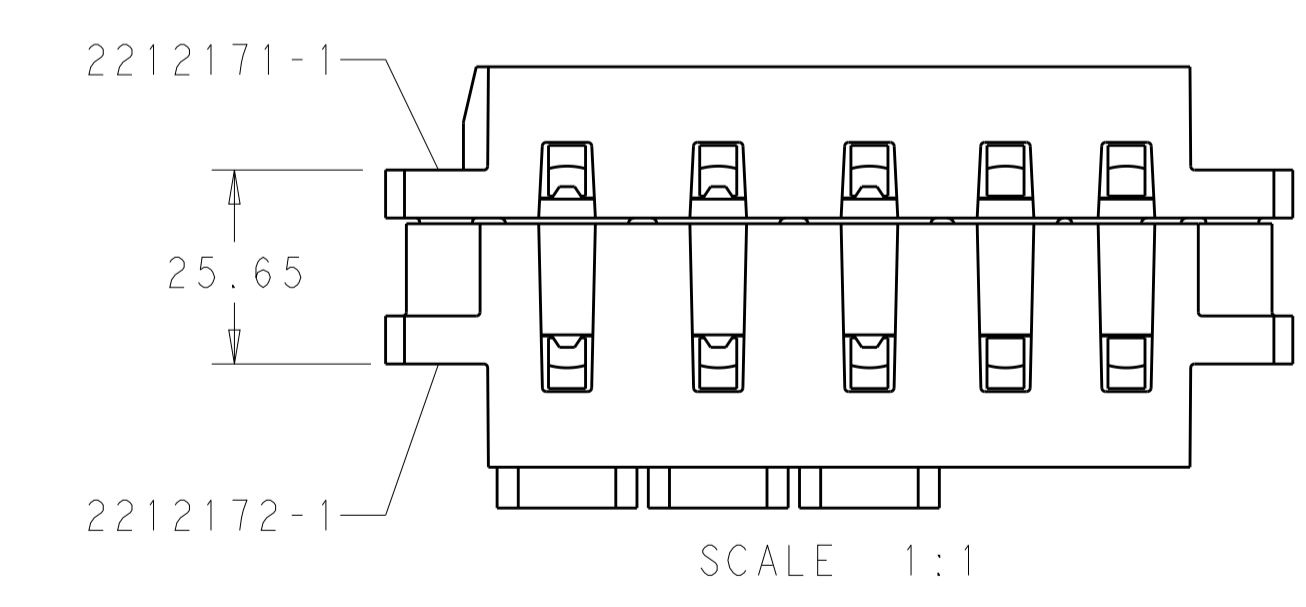
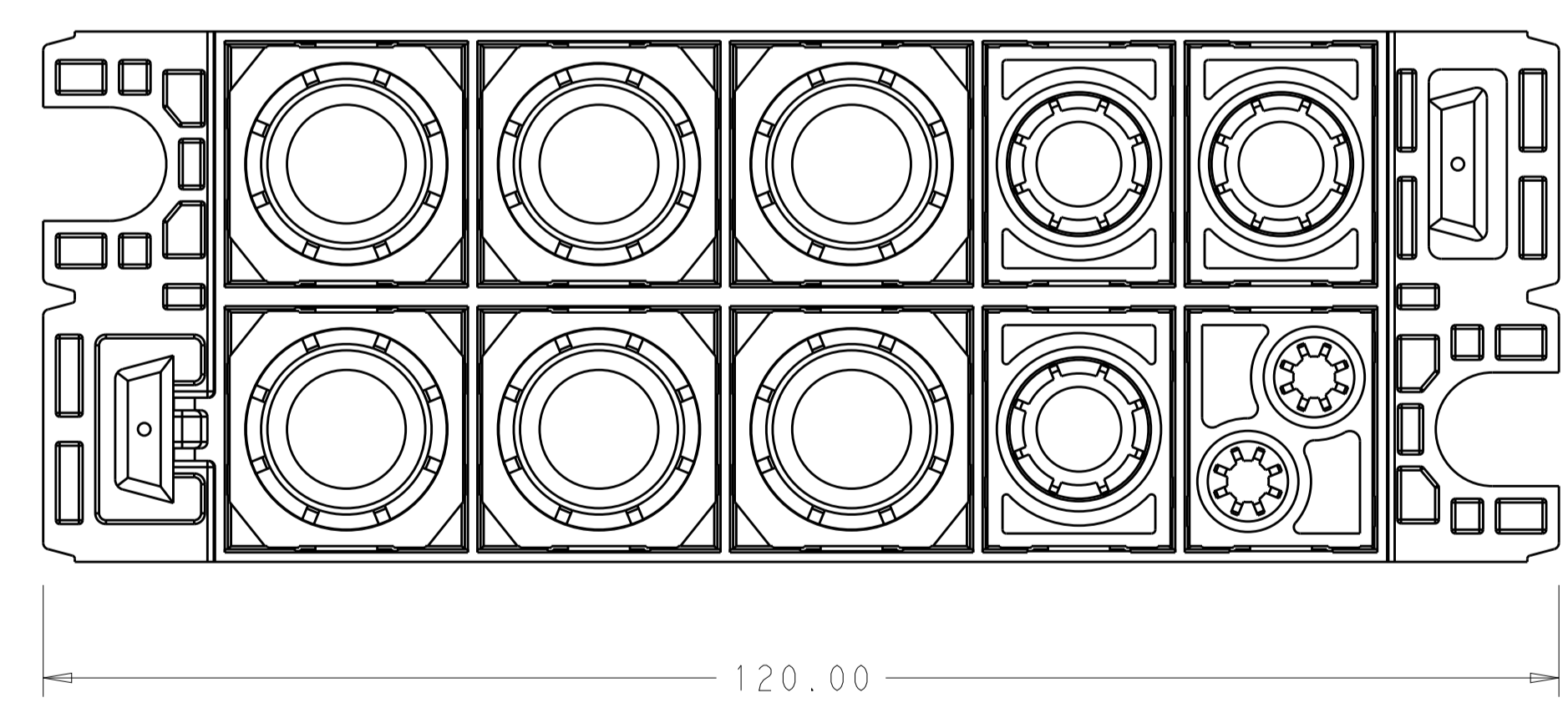
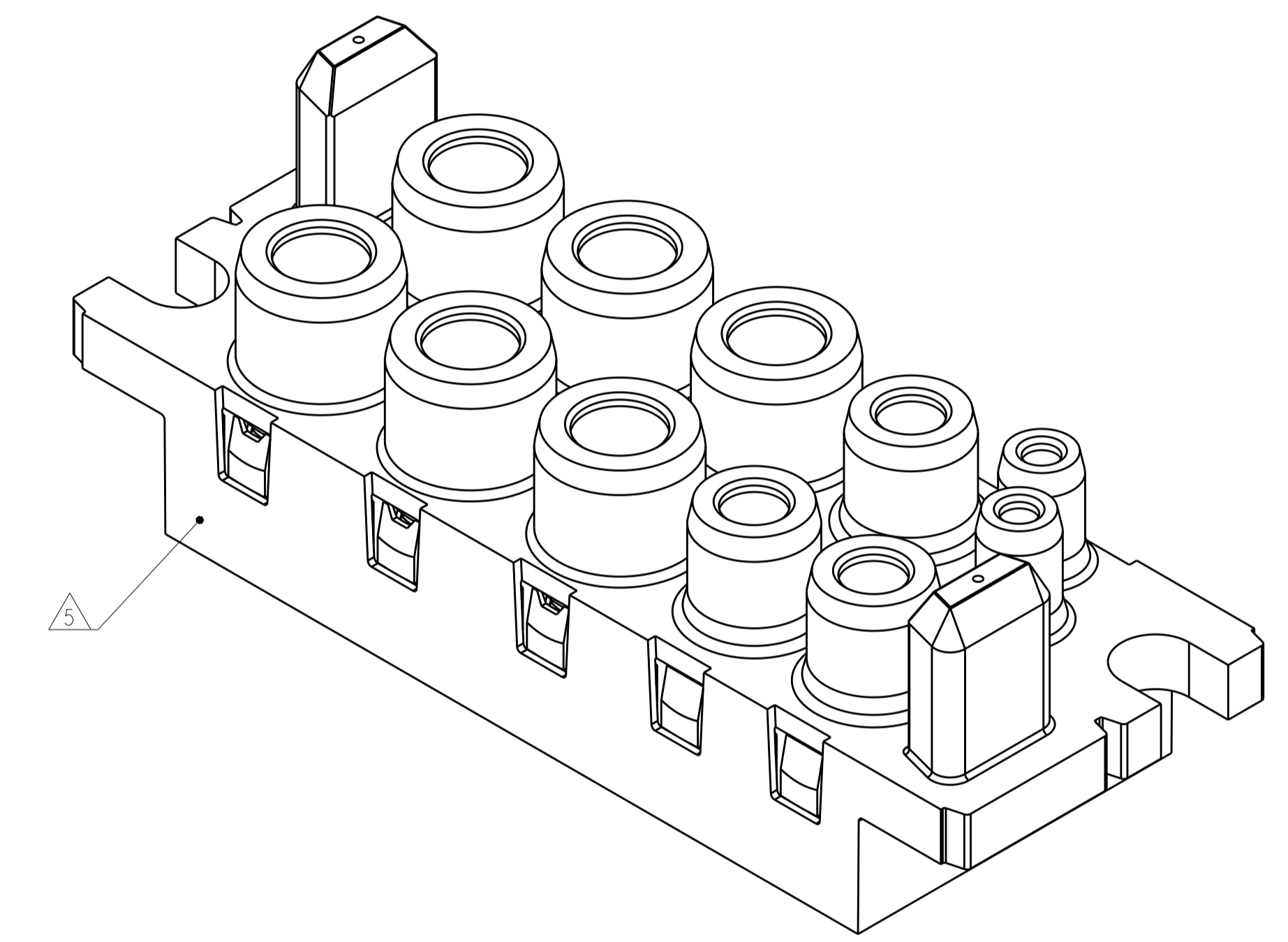
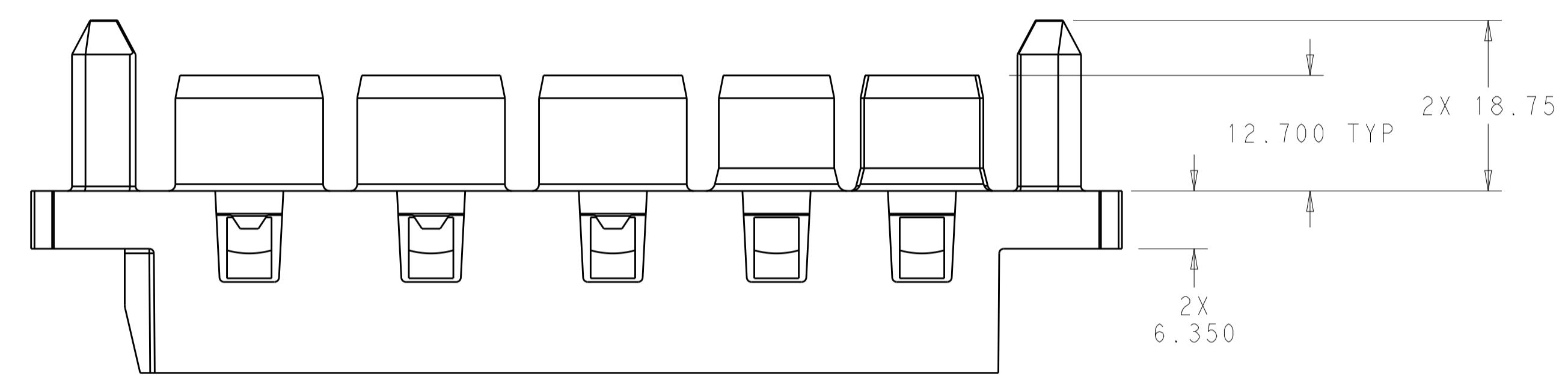
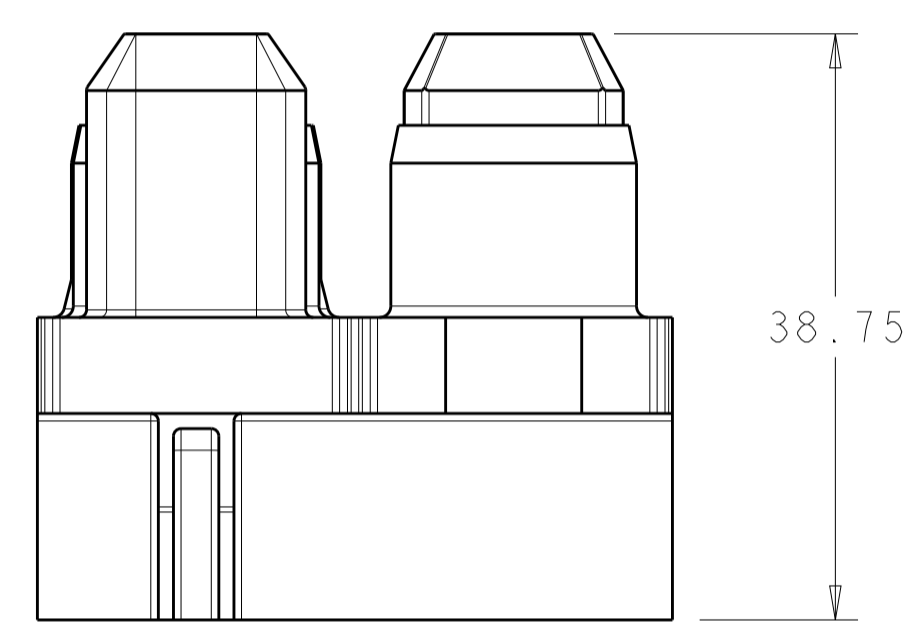


| LOC | DIST | REV | DATE | BY | CHKD | APVD |
|-----|------|-----|-----------|----|------|------|
| - | - | 2 | 11FEB2015 | RT | EW | |



- △ HOUSING: THERMOPLASTIC, COLOR BLACK, FLAMMABILITY RATING UL 94 V-0.
- △ THIS ASSEMBLY TO MATE WITH TEC PART NUMBER 2212172-1.
- 3. RECOMMENDED SHOULDER SCREW:
2212056, FLOAT MOUNT
2212055, FIXED MOUNT
- △ RECOMMENDED PANEL CUTOUT FOR FRONT PANEL MOUNT APPLICATION.
RECOMMENDED PANEL THICKNESS 1.5 TO 1.78.
- △ DATE CODE AND PART NUMBER IN APPROXIMATE AREA SHOWN.



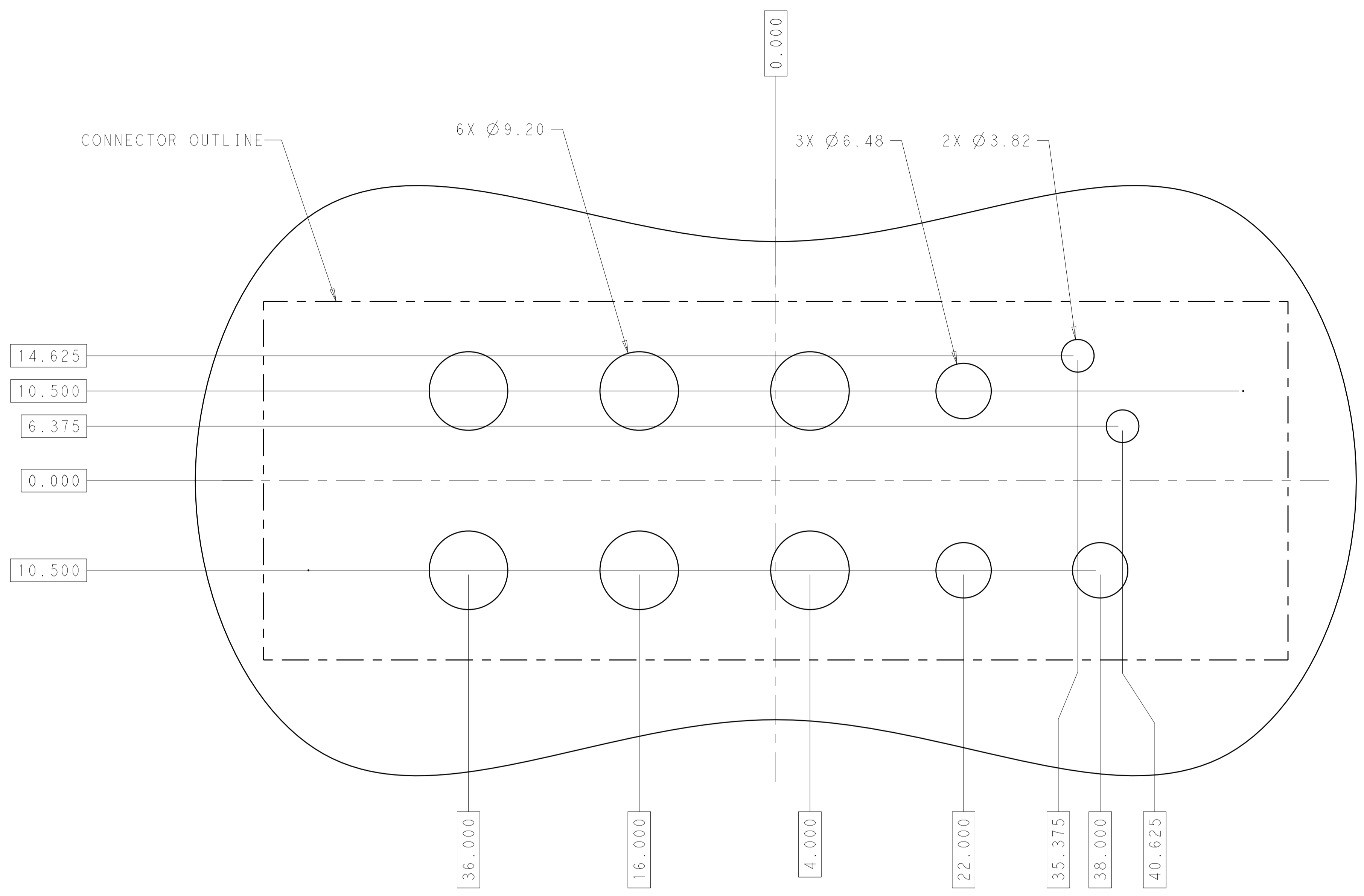
SCALE 1:1
 FULLY MATED ASSEMBLIES △

| | |
|--|-----------|
| CONNECTOR, SOCKET, FORGE 6x#0,3x#4,1x#8,0x#12,0x#22, | 2212171-1 |
| DESCRIPTION | PART NO. |

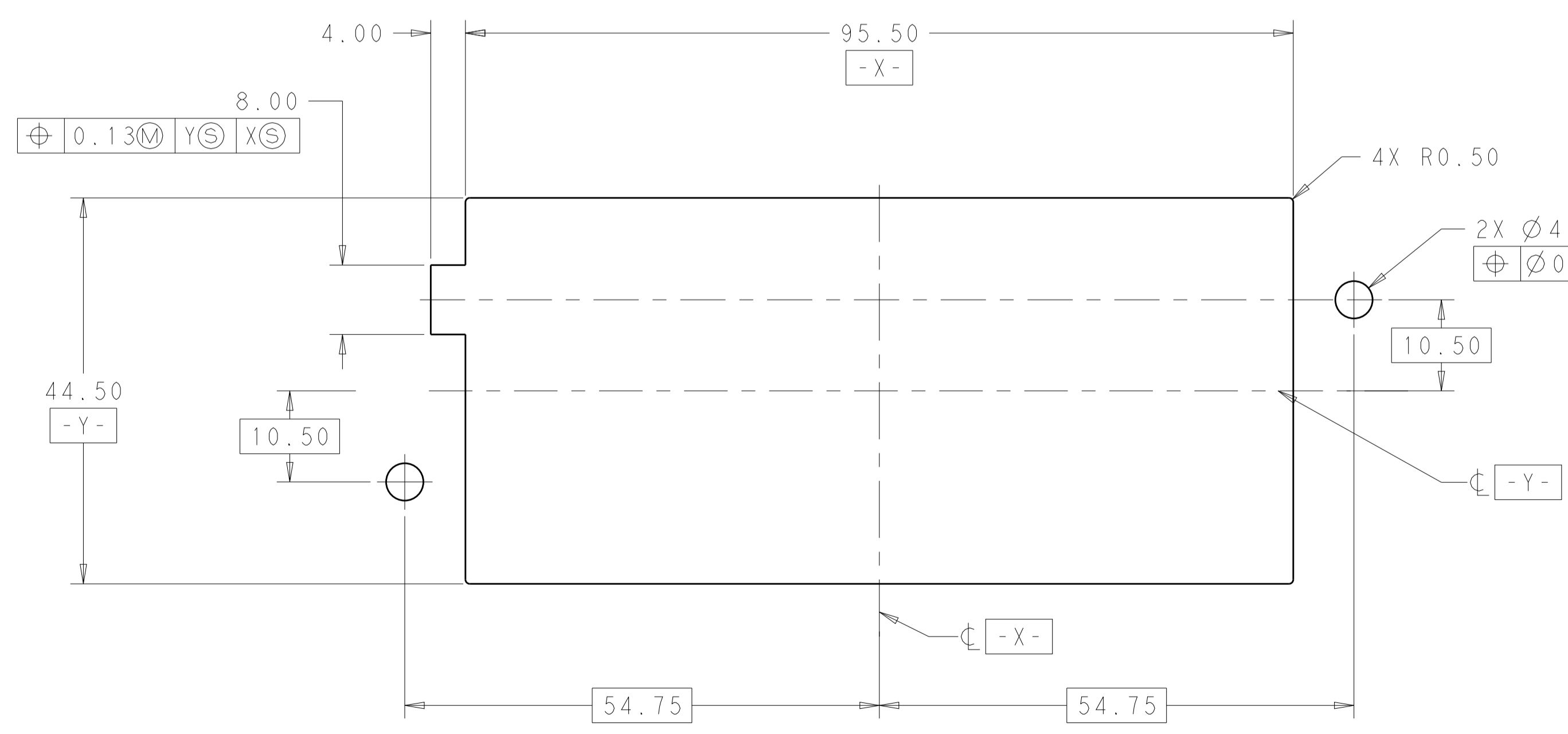
THIS PRINT IS
PRELIMINARY
 UNQUALIFIED PRODUCT
 CONTACT PRODUCT ENGINEERING
 BEFORE USING THIS PRINT

| | | | |
|--|--|--|------------------|
| THIS DRAWING IS A CONTROLLED DOCUMENT. | | OWN: R. TIRA 20JAN2015 | TE Connectivity |
| DIMENSIONS: mm | | CHK: E. WICKES 20JAN2015 | |
| TOLERANCES UNLESS OTHERWISE SPECIFIED: | | APVD: S. STRICKLER 20JAN2015 | |
| 0 PLC ±N/A 1 PLC ±N/A 2 PLC ±0.25 3 PLC ±0.13 4 PLC ±N/A ANGLES ±N/A FINISH: | | NAME: CONNECTOR, SOCKET, FORGE 06x#0,3x#4,1x#8,0x#12,0x#22 CONFIGURATION PRODUCT SPEC: 108-2323 APPLICATION SPEC: 114-13299 WEIGHT: - Customer Drawing | |
| MATERIAL: △ | | SIZE: A100779 | RESTRICTED TO: - |
| | | SCALE: 2:1 | SHEET 1 OF 2 |
| | | REV: 2 | |

| LOC | | DIST | | REVISIONS | | | |
|-----|---|------|---|-----------|-------------|----|------|
| | | | | REV | DATE | BY | APPV |
| - | - | - | - | - | - | - | - |
| - | - | - | - | - | SEE SHEET 1 | - | - |



PCB LAYOUT
SCALE 3:1



RECOMMENDED PANEL CUTOUT
SCALE 2:1

| | | | | |
|--|--|---------------------|-----------|--|
| THIS DRAWING IS A CONTROLLED DOCUMENT. | | OWN R. IREDA | 20JAN2015 | TE Connectivity |
| DIMENSIONS: | | CHK E. WICKES | 20JAN2015 | |
| mm | TOLERANCES UNLESS OTHERWISE SPECIFIED: | APV S. STRICKLER | 20JAN2015 | NAME |
| 0 PLC | ±N/A | PRODUCT SPEC | | CONNECTOR, SOCKET, FORGE 06x#0, 3x#4, 1x#8, 0x#12, 0x#22 CONFIGURATION |
| 1 PLC | ±N/A | APPLICATION SPEC | | |
| 2 PLC | ±0.25 | 108-2323 | | |
| 3 PLC | ±0.13 | 114-13299 | | |
| 4 PLC | ±N/A | WEIGHT | | SIZE |
| ANGLES | ±N/A | 114-13299 | | CAGE CODE |
| FINISH | ±N/A | Customer Drawing | | DRAWING NO |
| | | SCALE 2:1 | | RESTRICTED TO |
| | | SHEET 2 OF 2 | | REV 2 |

Mouser Electronics

Authorized Distributor

Click to View Pricing, Inventory, Delivery & Lifecycle Information:

[TE Connectivity:](#)

[2212171-1](#)