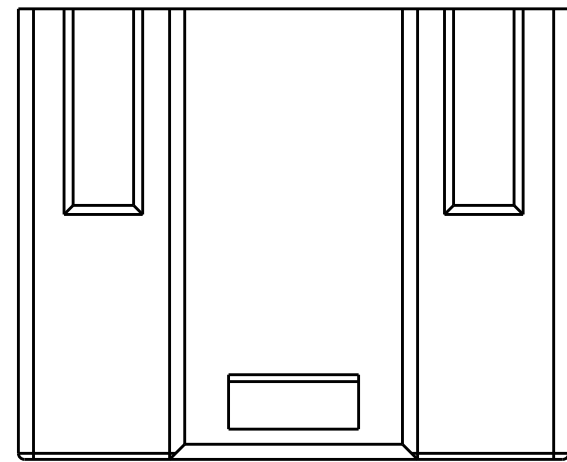
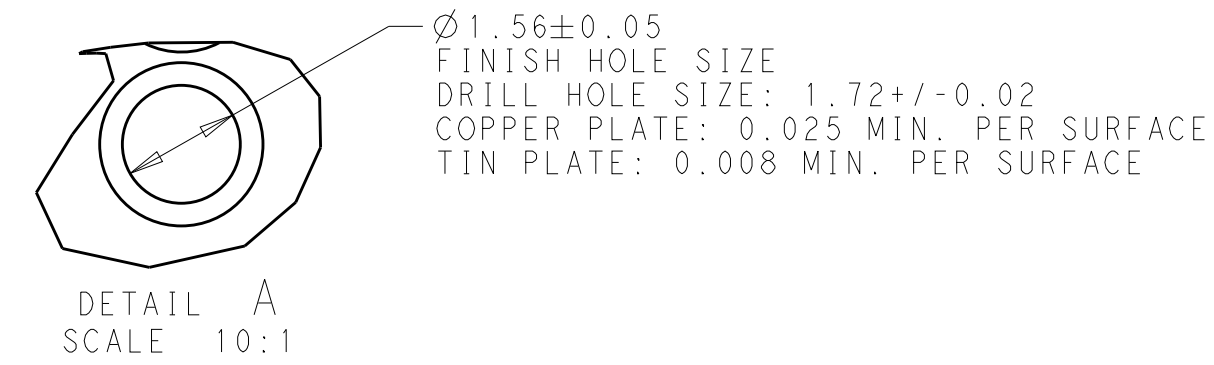
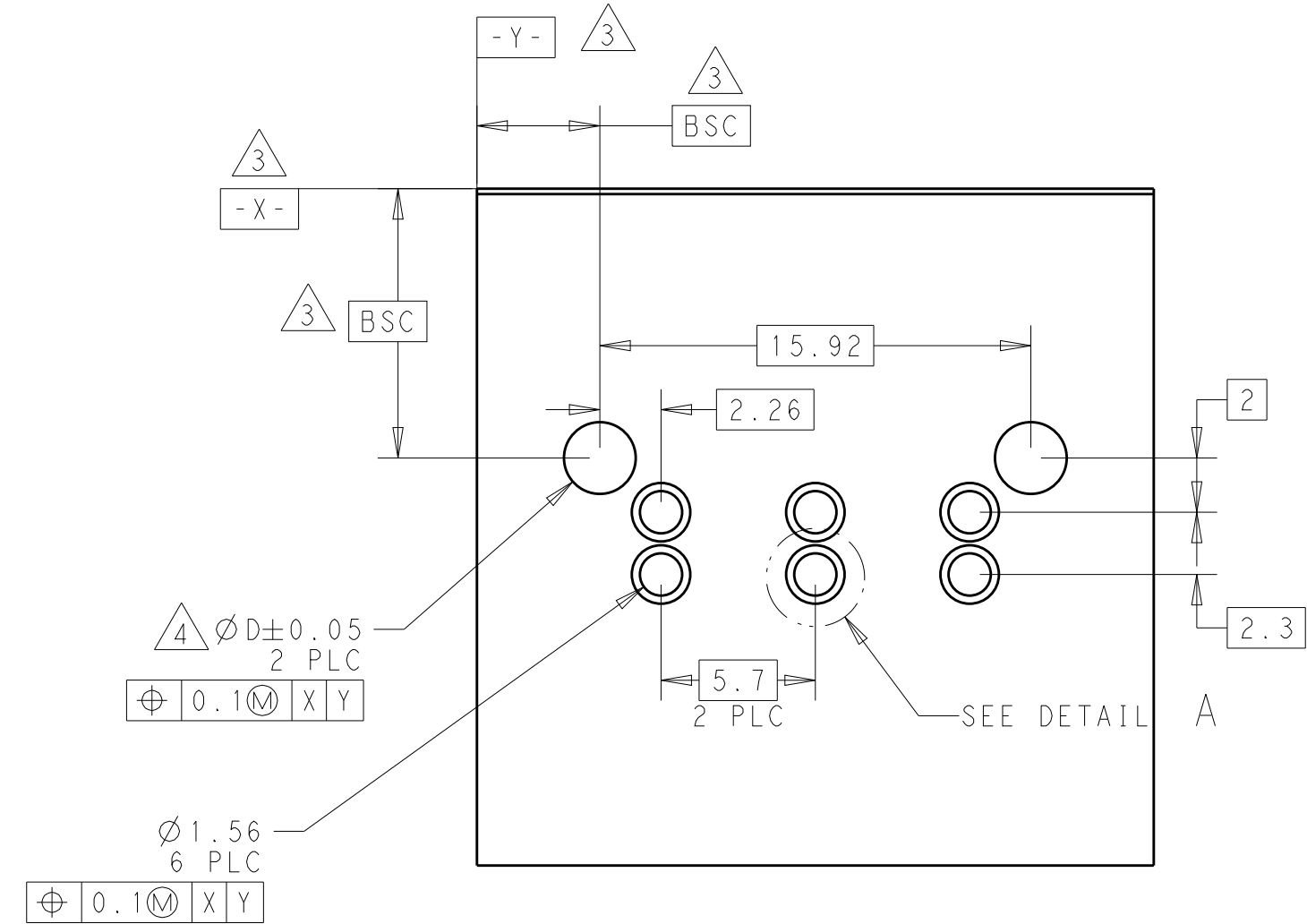
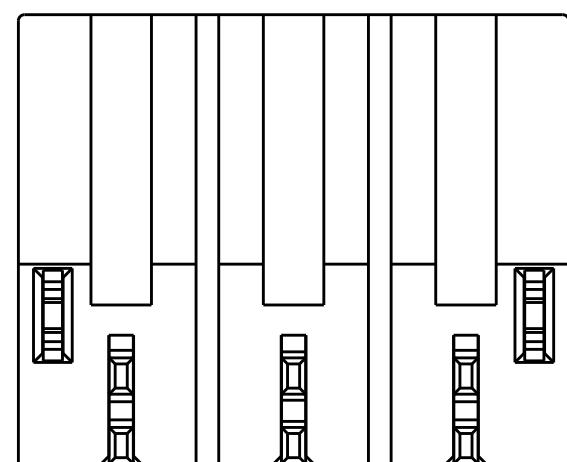
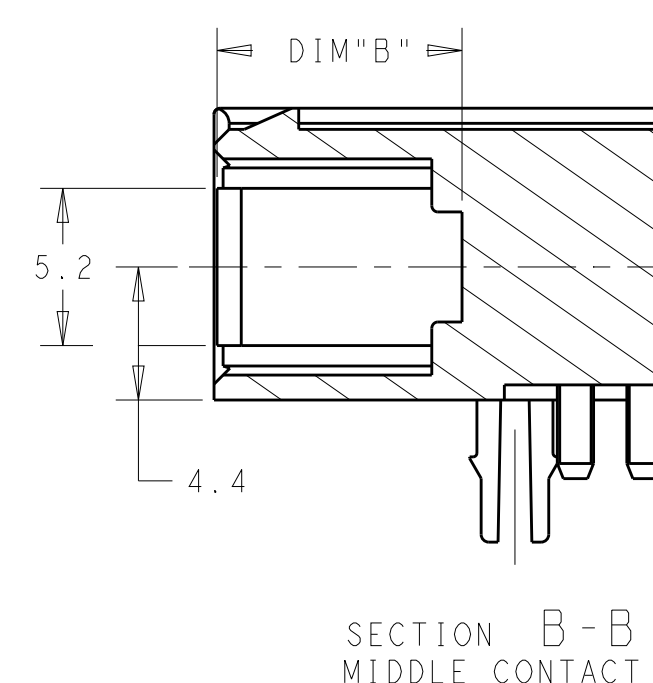
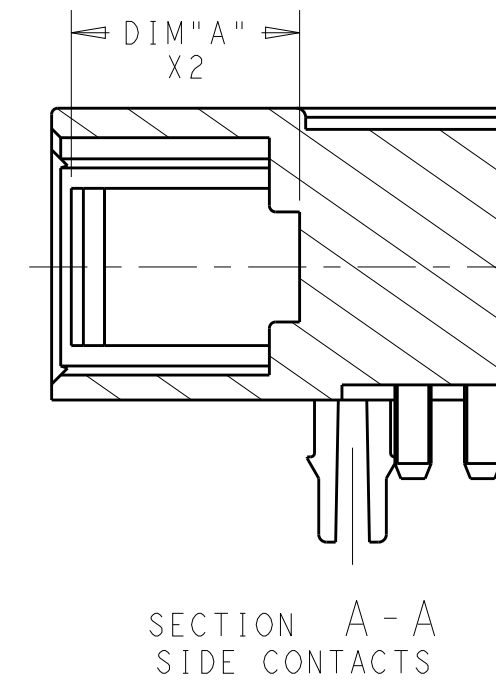
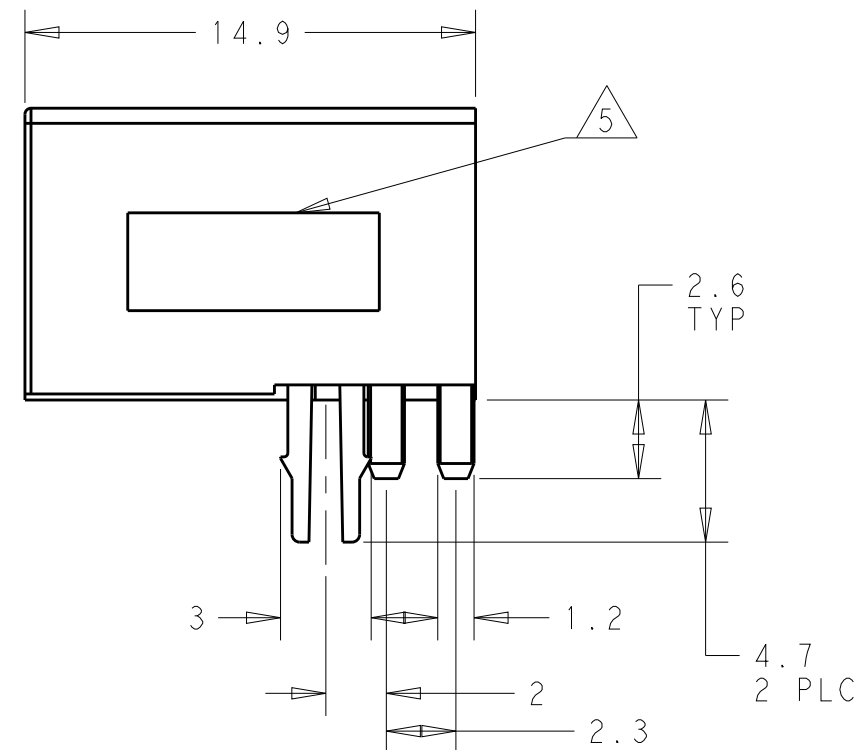
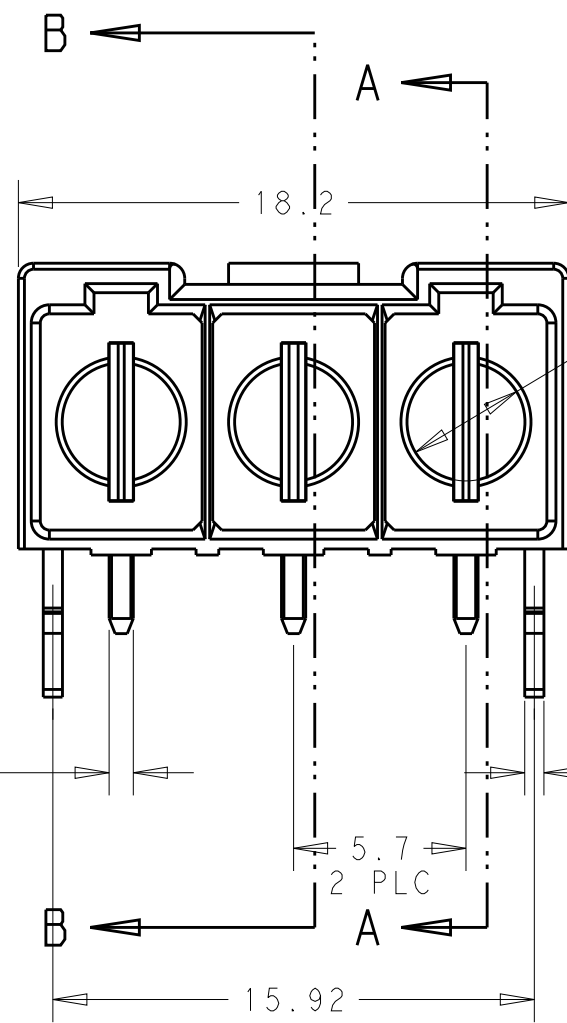


THIS DRAWING IS UNPUBLISHED. RELEASED FOR PUBLICATION 20  
 © COPYRIGHT 20 BY - ALL RIGHTS RESERVED.

REVISIONS				
P	LTR	DESCRIPTION	DATE	APVD
A		REV PER ECR-16-006138	28APR2016	OL SZ
B		REV PER ECO-16-014059	09JAN2017	WY SZ
B1		REV PER ECO-18-000140	04JAN2018	OL SZ
B2		REV PER ECO-19-000285	09JAN2019	OL SZ



- 1 MATERIAL:  
HOUSING: LCP BLACK, UL94V-0; CONTACT AND RETENTION CLIP: COPPER ALLOY
- 2 PLATING:  
POWER CONTACT: 3UM SILVER OVER NICKEL PLATED;  
RETENTION CLIP: TIN PLATED
- 3 DATUM AND BASIC DIMENSIONS ESTABLISHED BY CUSTOMER
- 4 UNPLATED THROUGH HOLE; THE RECOMMENDED HOLE SIZE IS 2.75MM OR 2.65MM.
- 5 "TE", PART NUMBER AND DATECODE TO BE MARKED IN AREA SHOWN



Ø 1.56  
6 PLC  
⊕ 0.1 M X Y

Ø 3.9  
3 PLC

⊕ 0.1 M X Y

6.6	6.6	NO	2204529-2
8.1	7.55	YES	2204529-1
DIM "B"	DIM "A"	PROBE PROOF	PART NUMBER

THIS DRAWING IS A CONTROLLED DOCUMENT.		DWN ORANDO LI 03APR2015	TE Connectivity		
DIMENSIONS: mm		CHK ZHAO SUNY 03APR2015			
TOLERANCES UNLESS OTHERWISE SPECIFIED:		APVD SUNY ZHAO 03APR2015			
0 PLC ±0.25 1 PLC ±0.1 2 PLC ±0.05 3 PLC ± 4 PLC ± ANGLES ± FINISH -		PRODUCT SPEC 108-128027 APPLICATION SPEC 114-128029 WEIGHT -	NAME ELCON Mini, 3-position header right-angle, solder type SIZE A2 CAGE CODE - DRAWING NO C-2204529 RESTRICTED TO -		
MATERIAL TBD		CUSTOMER DRAWING	SCALE 4:1	SHEET 1 OF 1	REV B2

# Mouser Electronics

Authorized Distributor

Click to View Pricing, Inventory, Delivery & Lifecycle Information:

[TE Connectivity:](#)

[2204529-1](#)