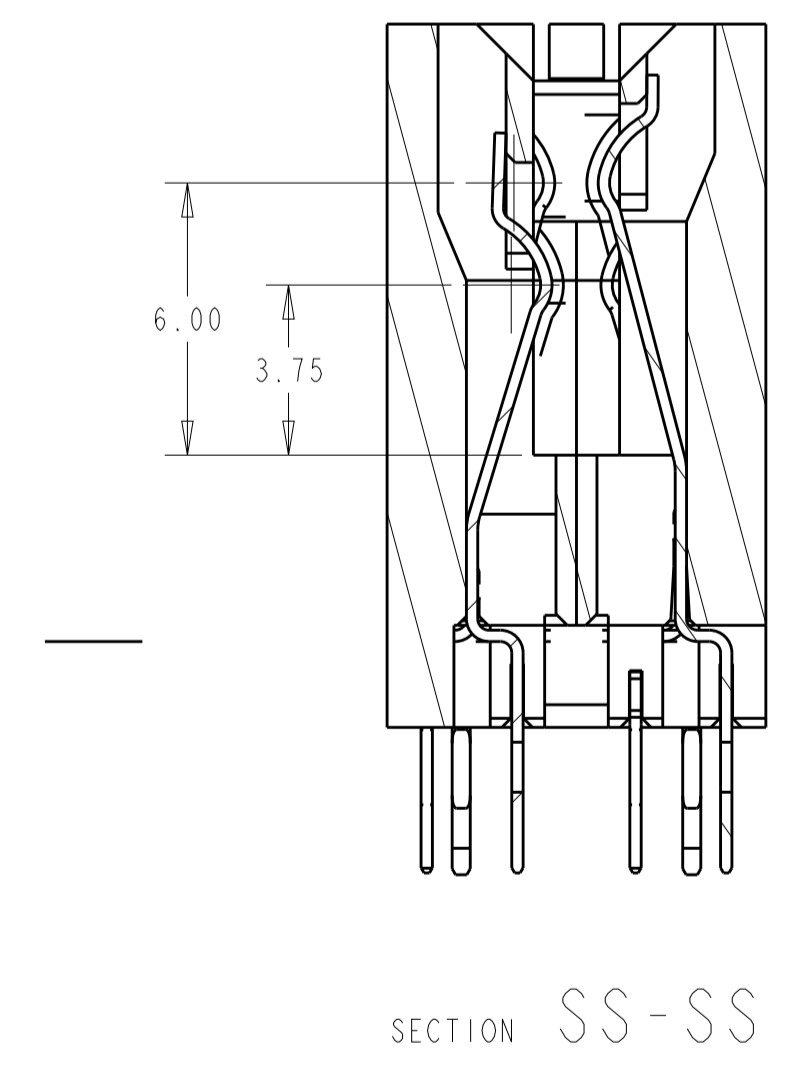
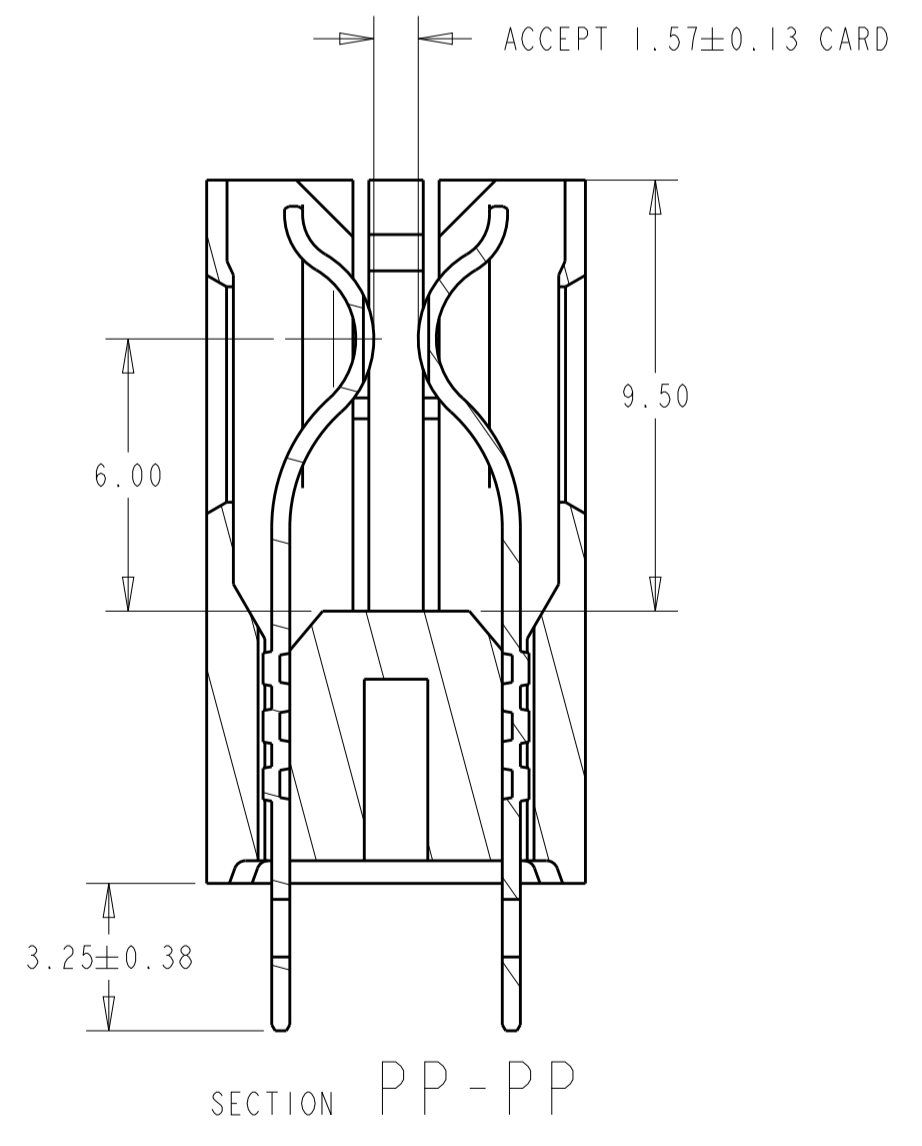
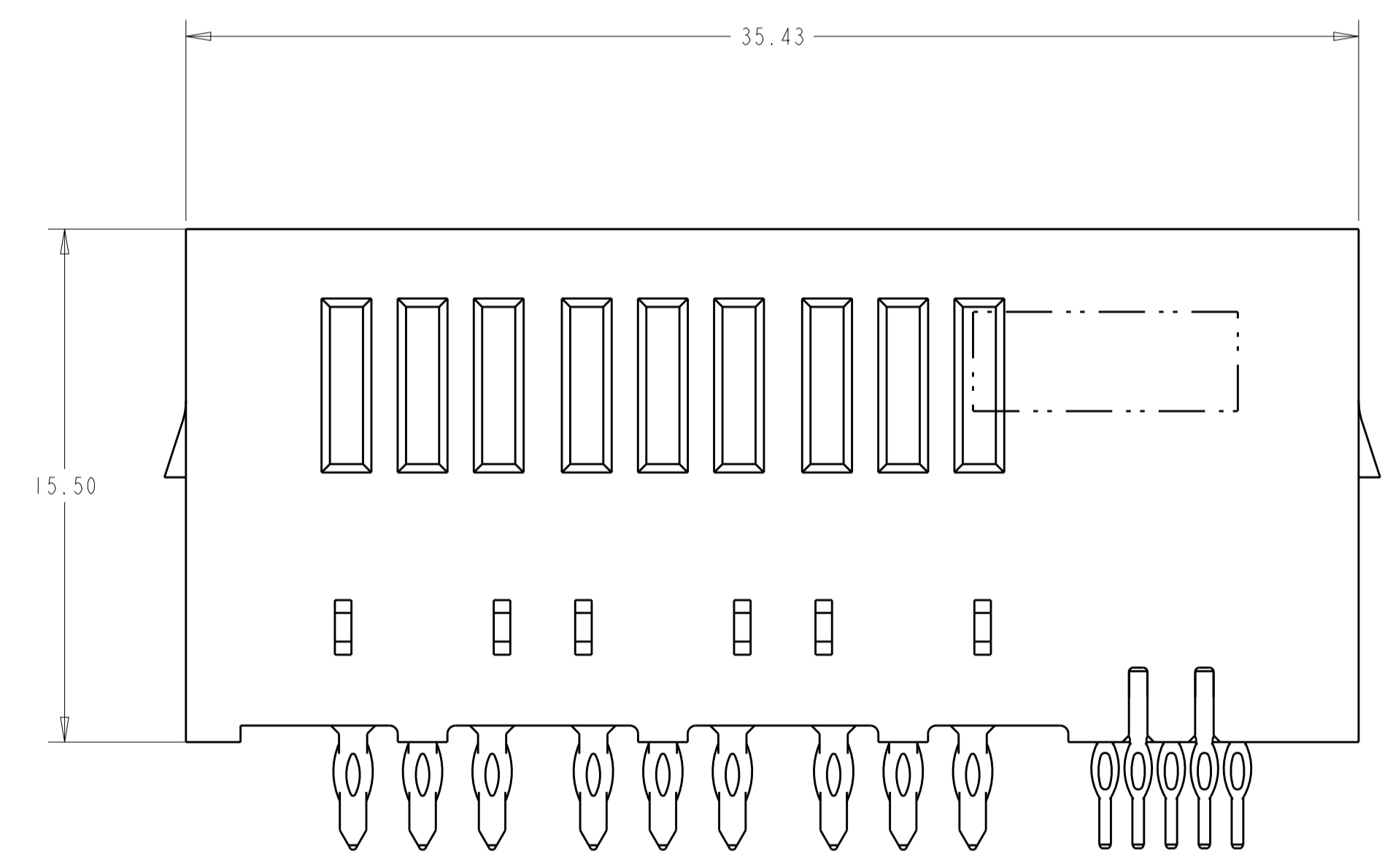
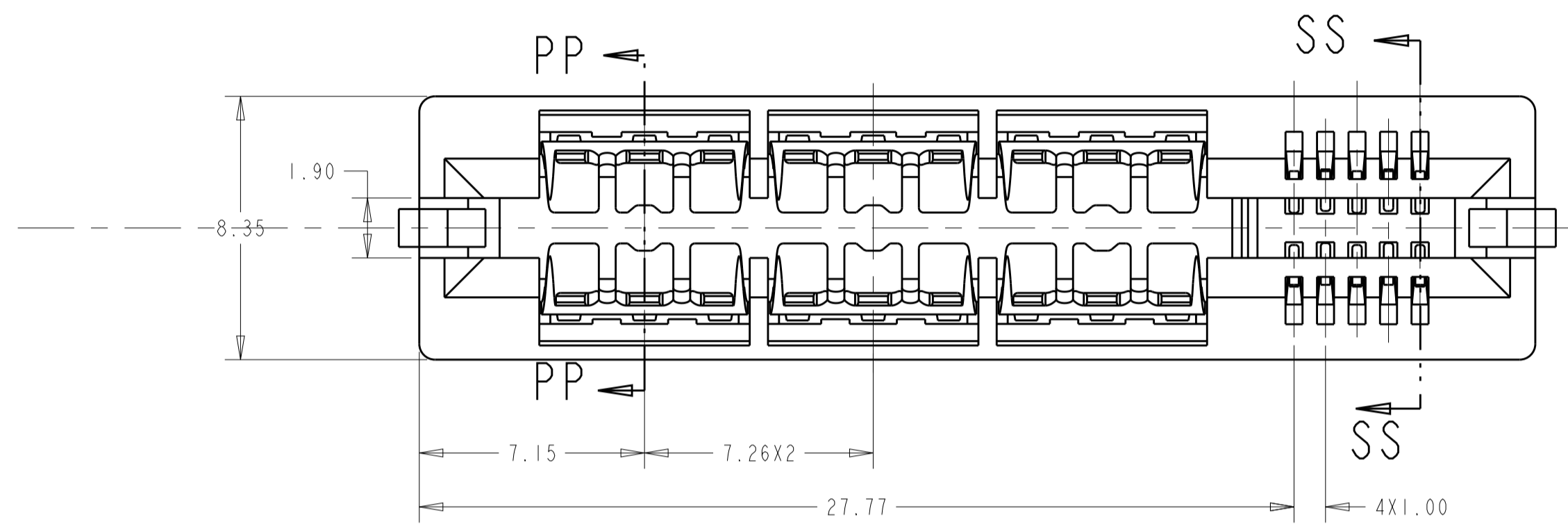


REVISIONS				
P.	LTN.	DESCRIPTION	DATE	APVD.
A		FIRST RELEASE	30AUG2016	SZ SZ

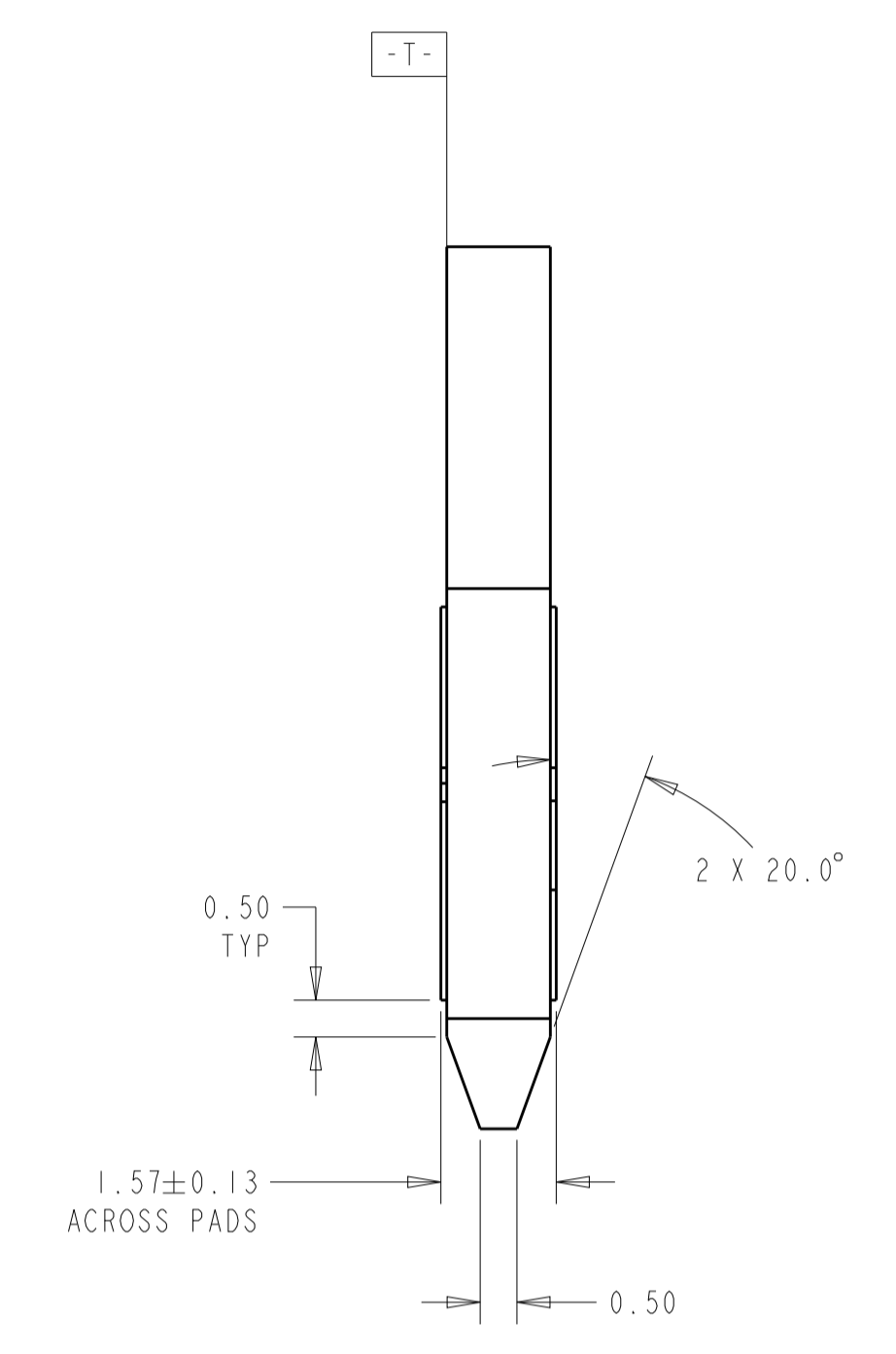
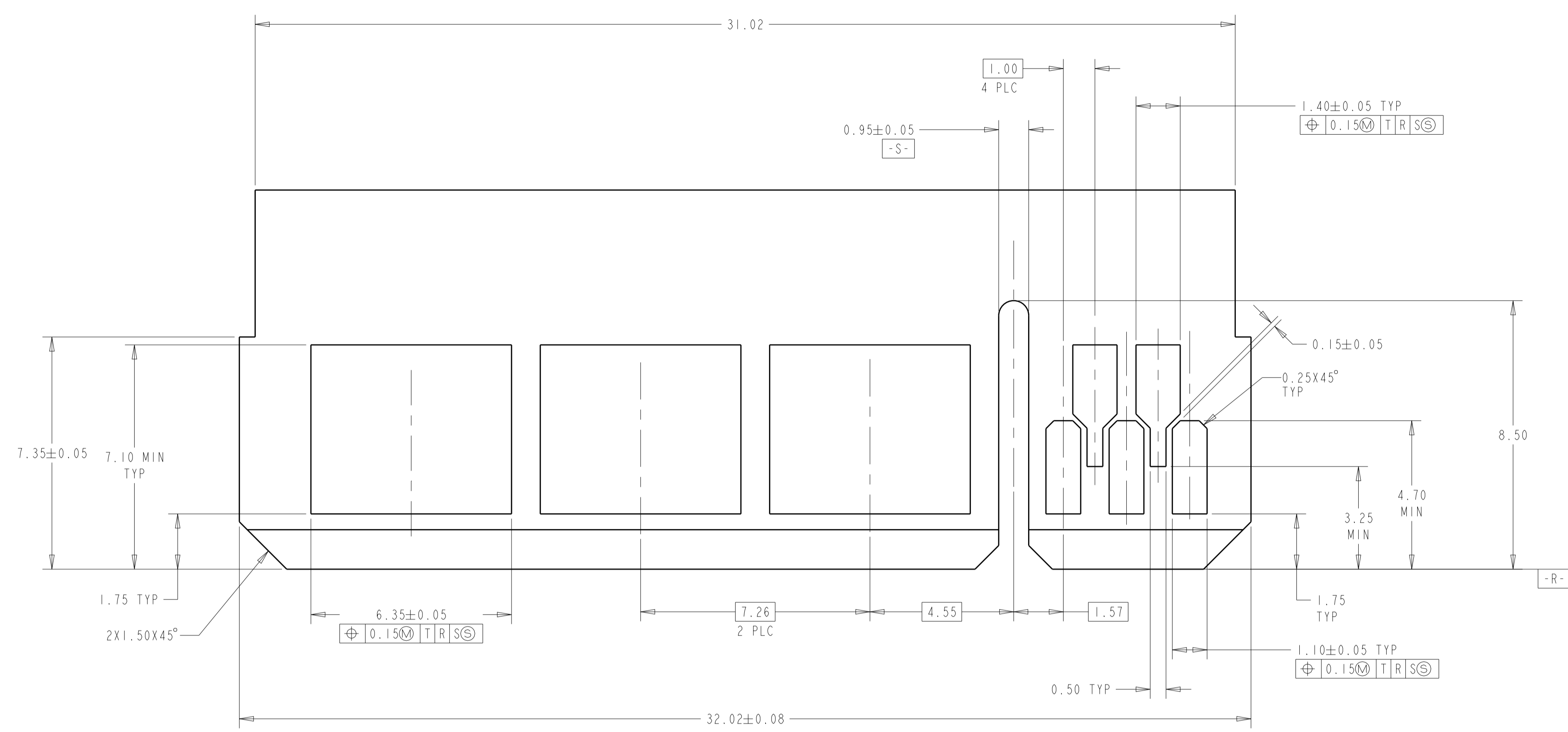
1. MATERIAL: HOUSING - THERMOPLASTIC, GLASS REINFORCED. COLOR: BLACK
CONTACT - COPPER ALLOY
2. FINISH: CONTACT - GOLD PLATED OVER NICKEL.
SOLDER TAILS - MATTE TIN OVER NICKEL
3. CONNECTOR ASSEMBLY MARKED WITH PART NUMBER AND DATE CODE IN THE APPROXIMATE AREA SHOWN
4. DATUMS AND BASIC DIMENSIONS TO BE ESTABLISHED BY CUSTOMER
5. MANUFACTURING TOLERANCE FOR 1.07mm DIAMETER FINISHED HOLE:
DRILLED HOLE = 1.15+/-0.03mm
COPPER PLATE = 0.050/0.025mm (MAX HARDNESS 150 KNOOP)
TIN/LEAD PLATE (HASL) = 0.010/0.004mm
6. MANUFACTURING TOLERANCE FOR 0.70mm DIAMETER FINISHED HOLE:
DRILLED HOLE = 0.78+/-0.03mm
COPPER PLATE = 0.050/0.025mm (MAX HARDNESS 150 KNOOP)
TIN/LEAD PLATE (HASL) = 0.010/0.004mm



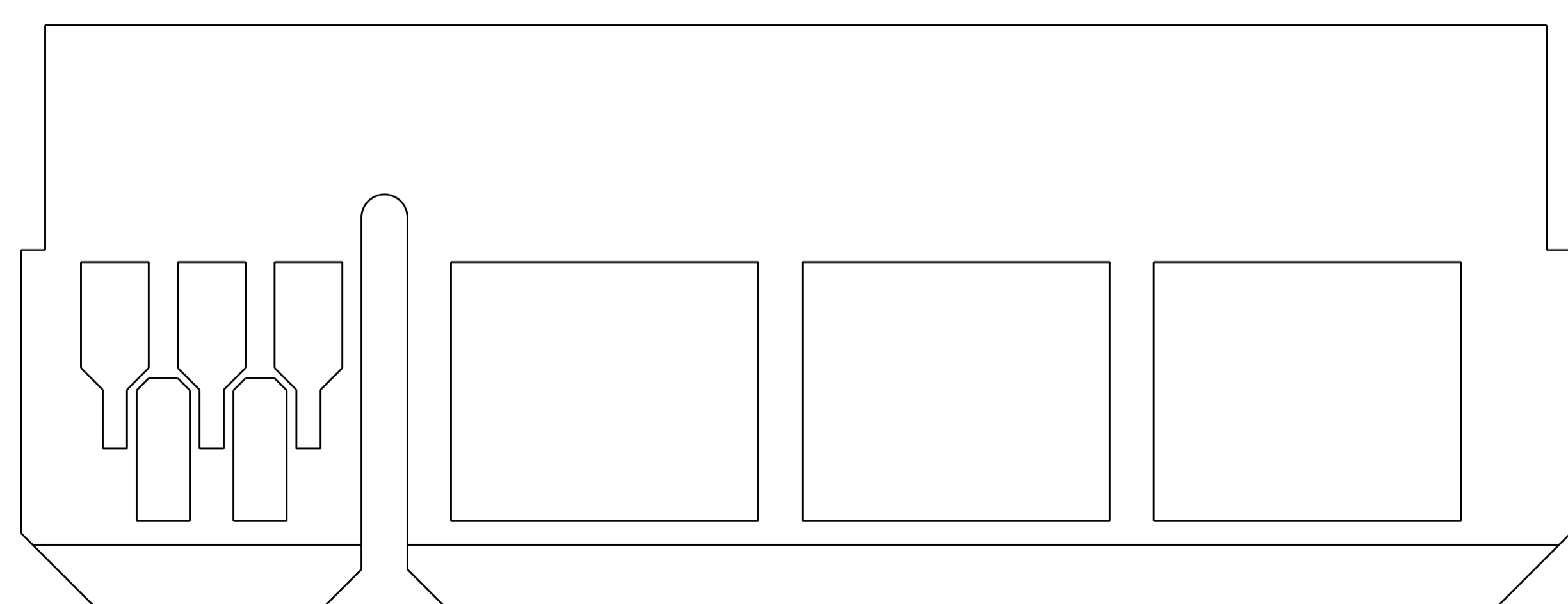
PART 2204072-1

THIS DRAWING IS A CONTROLLED DOCUMENT.		DWN L.A.WENSEL 05APR2012	TE Connectivity NAME: CONNECTOR ASSEMBLY, MULTI-BEAM CE POWER/SIGNAL, VERTICAL, EYE OF THE NEEDLE
DIMENSIONS: mm		CHK D.DEFIRAUGH 05APR2012	
TOLERANCES UNLESS OTHERWISE SPECIFIED:		APVD S.FLICKINGER 05APR2012	
0 PLC ± 1 PLC ±0.5 2 PLC ±0.25 3 PLC ± 4 PLC ± ANGLES ±4°		PRODUCT SPEC	
MATERIAL SEE NOTE 1	FINISH SEE NOTE 2	WEIGHT	SIZE CAGE CODE DRAWING NO. RESTRICTED TO
CUSTOMER DRAWING		A1 00779 C=2204072	SCALE 3:1 SHEET 1 OF 3 REV A

REVISIONS				
P.	LTN.	DESCRIPTION	DATE	APVD.
-	-	SEE SHEET 1	-	-



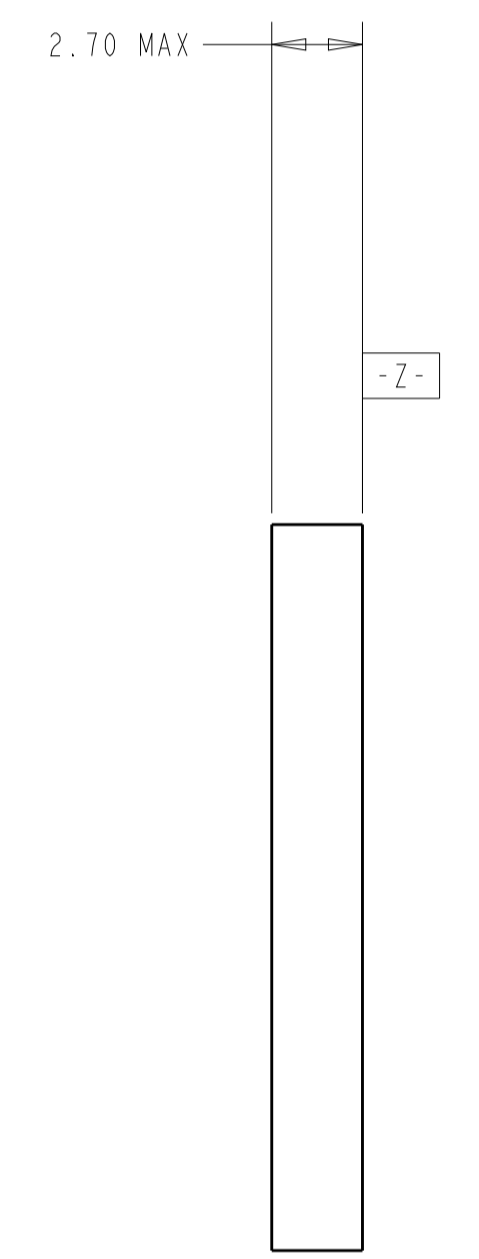
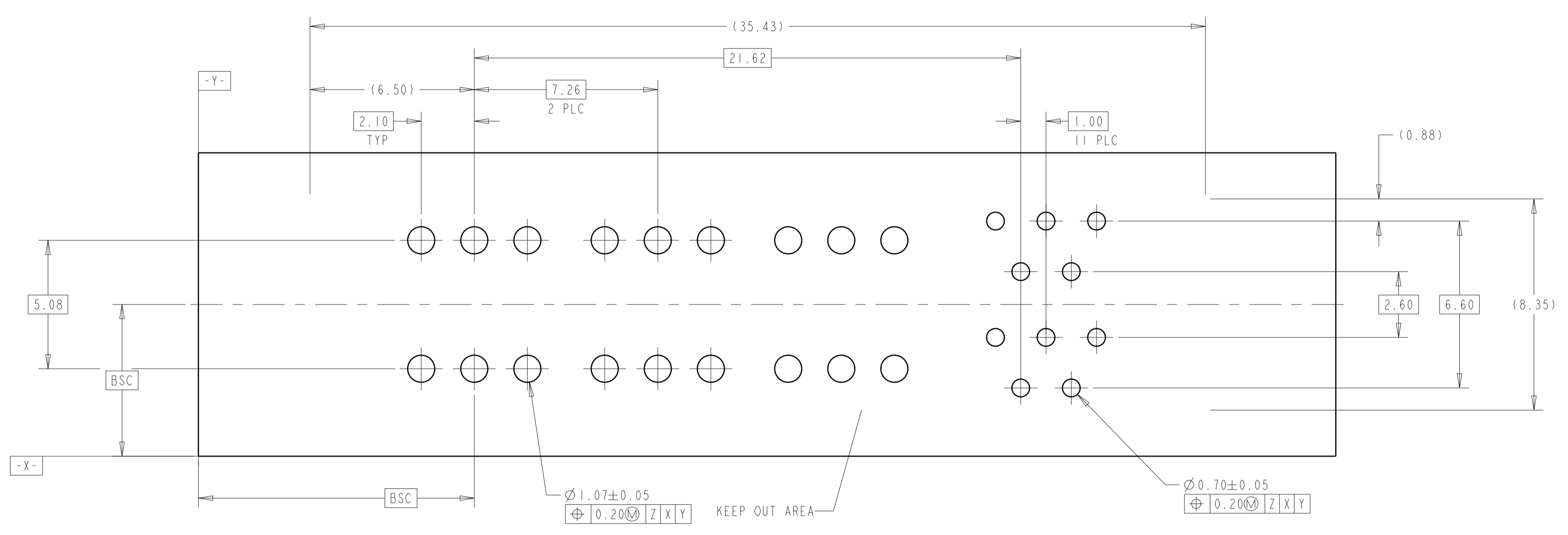
RECOMMENDED MATING CARD EDGE CONFIGURATION



RECOMMENDED MATING CARD EDGE CONFIGURATION
SECOND SIDE SHOW

THIS DRAWING IS A CONTROLLED DOCUMENT.		DWN L.A. WENSEL 05APR2012	TE Connectivity
DIMENSIONS: mm		CHK D. DEFIBAUGH 05APR2012	
TOLERANCES UNLESS OTHERWISE SPECIFIED:		APVD S. FLICKINGER 05APR2012	NAME
0 PLC ±	1 PLC ±0.3	PRODUCT SPEC	CONNECTOR ASSEMBLY, MULTI-BEAM CE
2 PLC ±0.13	3 PLC ±	APPLICATION SPEC	POWER/SIGNAL, VERTICAL,
4 PLC ±	ANGLES ±0.5°	WEIGHT	EYE OF THE NEEDLE
MATERIAL SEE NOTE 1	FINISH SEE NOTE 2	SIZE CAGE CODE DRAWING NO	RESTRICTED TO
CUSTOMER DRAWING		A1 00779 C=2204072	-
SCALE 4:1		SHEET 2 OF 3	REV A

REVISIONS				
P.	LTN	DESCRIPTION	DATE	OWN APVD
-	-	SEE SHEET 1	-	-



RECOMMEND FOOTPRINT

THIS DRAWING IS A CONTROLLED DOCUMENT.		DWN L.A. WENSEL 05APR2012	TE Connectivity
DIMENSIONS: mm		CHK D. DEFIBAUGH 05APR2012	
TOLERANCES UNLESS OTHERWISE SPECIFIED: 0 PLC ±0.3 1 PLC ±0.13 2 PLC ±0.13 3 PLC ±0.13 4 PLC ±0.13 ANGLES ±0.5°		APVD S. FLICKINGER 05APR2012	NAME
MATERIAL SEE NOTE 1		FINISH SEE NOTE 2	PRODUCT SPEC
WEIGHT		REVISIONS	APPLICATION SPEC
CUSTOMER DRAWING		SCALE 4:1	RESTRICTED TO
SHEET 3 OF 3		REV A	SIZE CAGE CODE DRAWING NO A1 00779 C=2204072

Mouser Electronics

Authorized Distributor

Click to View Pricing, Inventory, Delivery & Lifecycle Information:

[TE Connectivity:](#)

[2204072-1](#)