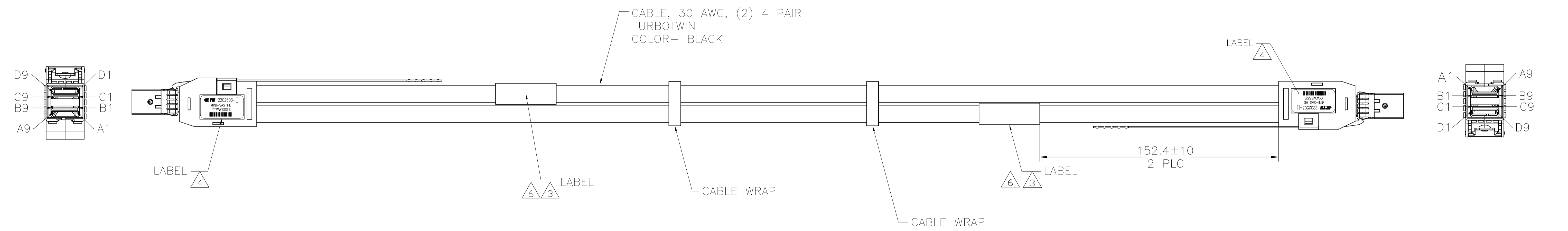
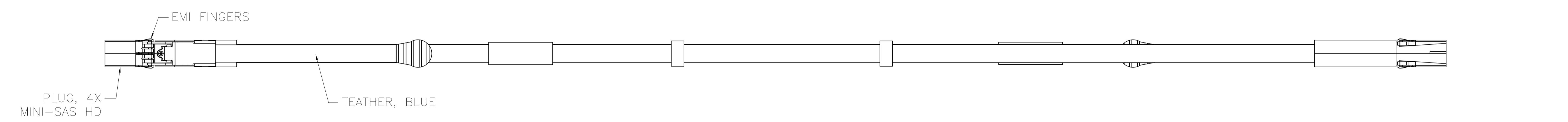
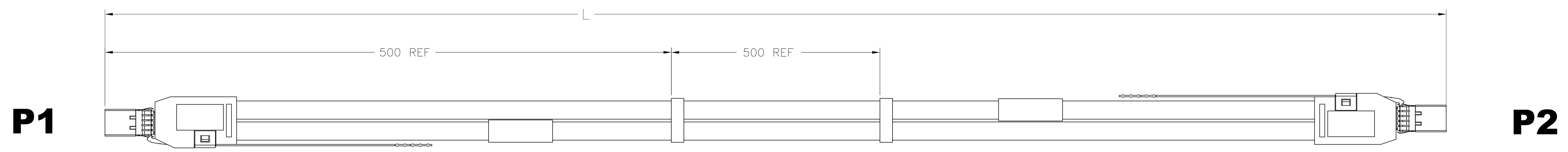


REVISIONS					
P	LTR	DESCRIPTION	DATE	DWN	APVD
D	PER	ECO-15-016946	21MAR2016	PL	FG



- ASSEMBLY TESTED FOR CONTINUITY, OPENS, SHORTS, EEPROM PROGRAM AND SIGNAL INTEGRITY.
- ROHS AND REACH COMPLIANCE: PRODUCT AND PROCESSING MEETS REQUIREMENTS OF TE SPECIFICATION TEC-138-702.

3 LABEL INFORMATION:

	2202503-[ ]	TE LOGO AND P/N
---	METERS	LENGTH
YYWW		DATE CODE
MADE IN	---	COUNTRY OF ORIGIN

4 LABEL INFORMATION:

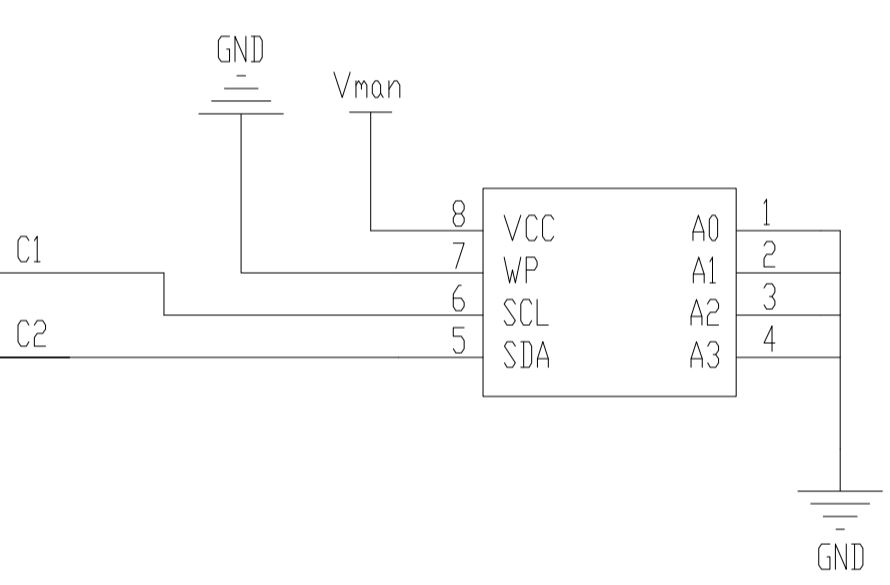
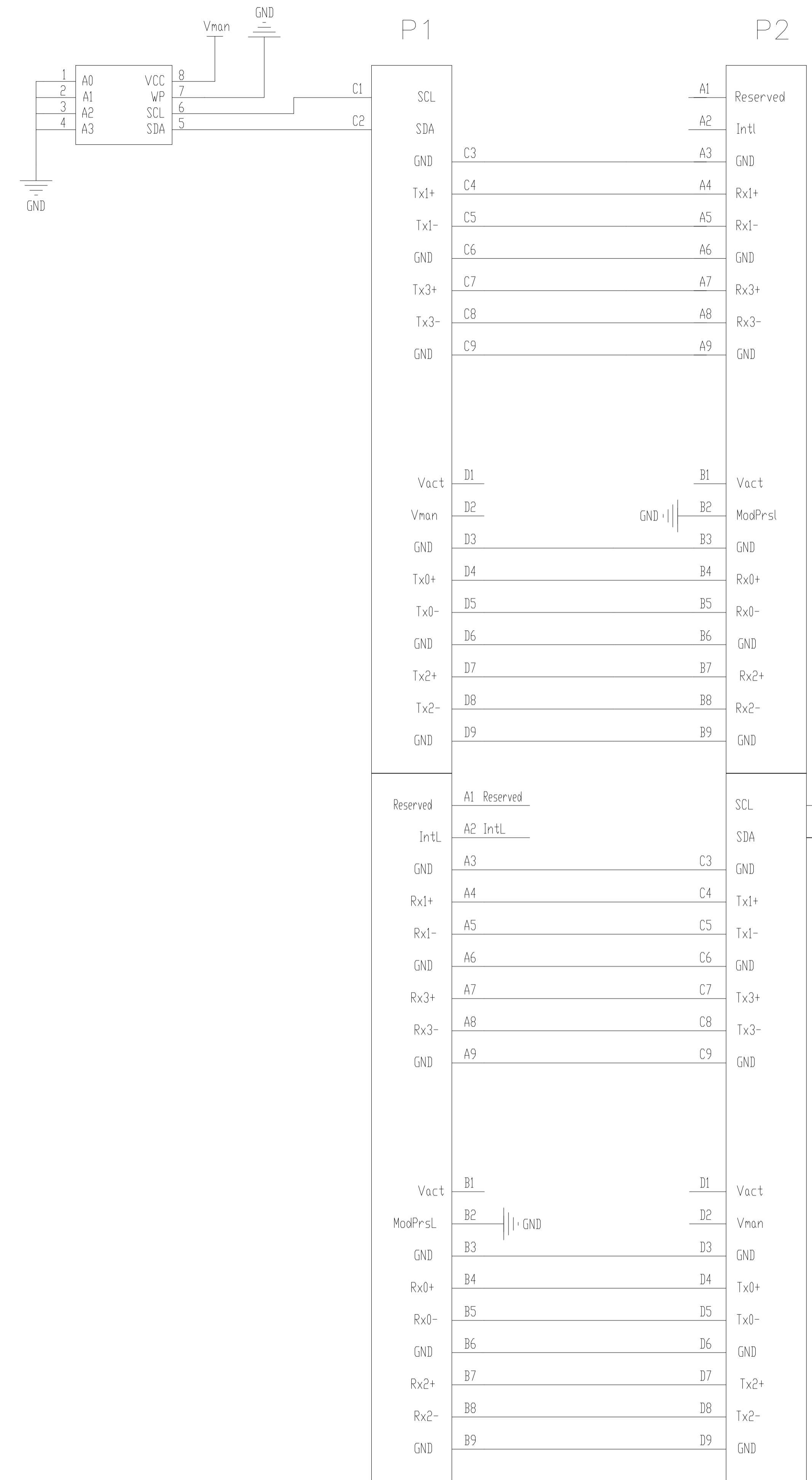
	2202503-[ ]	TE LOGO AND P/N
	MINI-SAS HD	
YYWW	SSSS	YYWW= DATE CODE, SSSS= SERIAL NUMBER
		BARCODE

- EEPROM PROGRAMMED PER TE DOCUMENT 2202503\_EEPROM.
- 6 -1 ONLY: LABEL IS APPLIED TO THE CENTER OF CABLE ASSEMBLY.

3 <sup>+0.08</sup> / <sub>0</sub> METERS	2202503-4
2 <sup>+0.08</sup> / <sub>0</sub> METERS	2202503-3
1 <sup>+0.05</sup> / <sub>0</sub> METERS	2202503-2
0.5 <sup>+0.05</sup> / <sub>0</sub> METERS	2202503-1
L	PART NO

THIS DRAWING IS A CONTROLLED DOCUMENT.		DIN P.LI 09MAR2012	TE Connectivity	
DIMENSIONS: mm	TOLERANCES UNLESS OTHERWISE SPECIFIED:	CHK J.MEYERS 09MAR2012	APVD J.MEYERS 09MAR2012	NAME
	0 PLC ± - 1 PLC ± - 2 PLC ± - 3 PLC ± - 4 PLC ± - ANGLES ± ±	PRODUCT SPEC		CABLE ASSEMBLY, 30 AWG TURBOTWIN, MINI-SAS HD, 4X
MATERIAL	FINISH	APPLICATION SPEC	SIZE	CAGE CODE
		WEIGHT 0	A1	00779
CUSTOMER DRAWING		DRAWING NO C=2202503	RESTRICTED TO	
SCALE 1:1		SHEET 1 OF 2	REV D	

REVISIONS				
P	LTR	DESCRIPTION	DATE	OWN
-	-	SEE SHEET 1	-	-



THIS DRAWING IS A CONTROLLED DOCUMENT.		DIN P. LI 09MAR2012	TE Connectivity	
DIMENSIONS: mm		CHK J. MEYERS 09MAR2012		
TOLERANCES UNLESS OTHERWISE SPECIFIED:		APVD J. MEYERS 09MAR2012	NAME CABLE ASSEMBLY, 30 AWG TURBOTWIN, MINI-SAS HD, 4X	
0. PLC ± - 1. PLC ± - 2. PLC ± - 3. PLC ± - 4. PLC ± - ANGLES ± -		PRODUCT SPEC		RESTRICTED TO
		APPLICATION SPEC		SIZE A1
MATERIAL		WEIGHT		CAGE CODE 00779
FINISH		DRAWING NO 2202503		SCALE 1:1
CUSTOMER DRAWING		SHEET 2 OF 2		REV D

# Mouser Electronics

Authorized Distributor

Click to View Pricing, Inventory, Delivery & Lifecycle Information:

[TE Connectivity:](#)

[2202503-2](#)