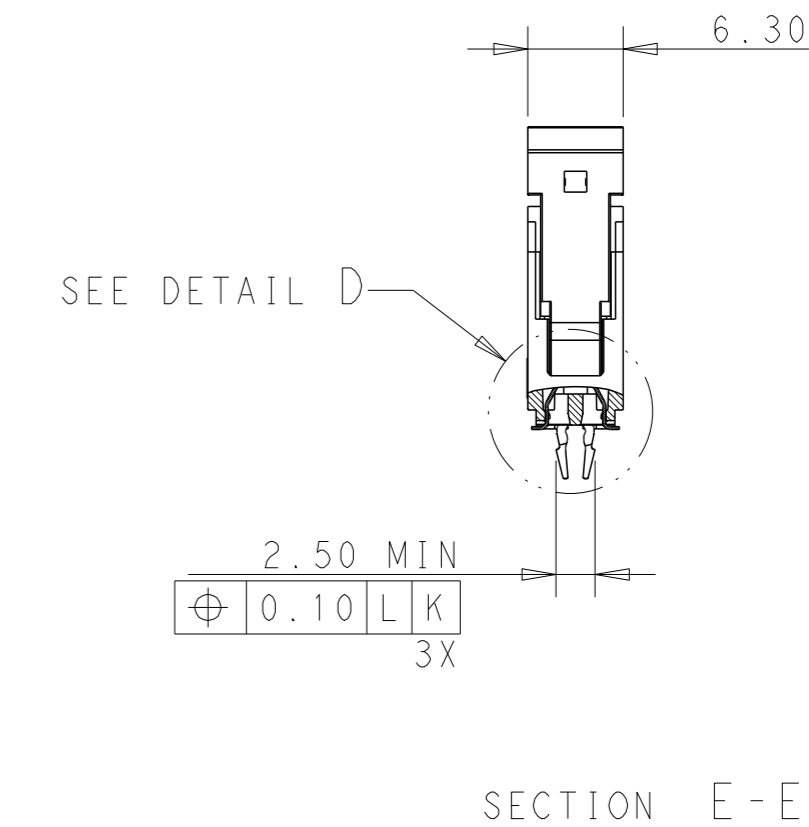
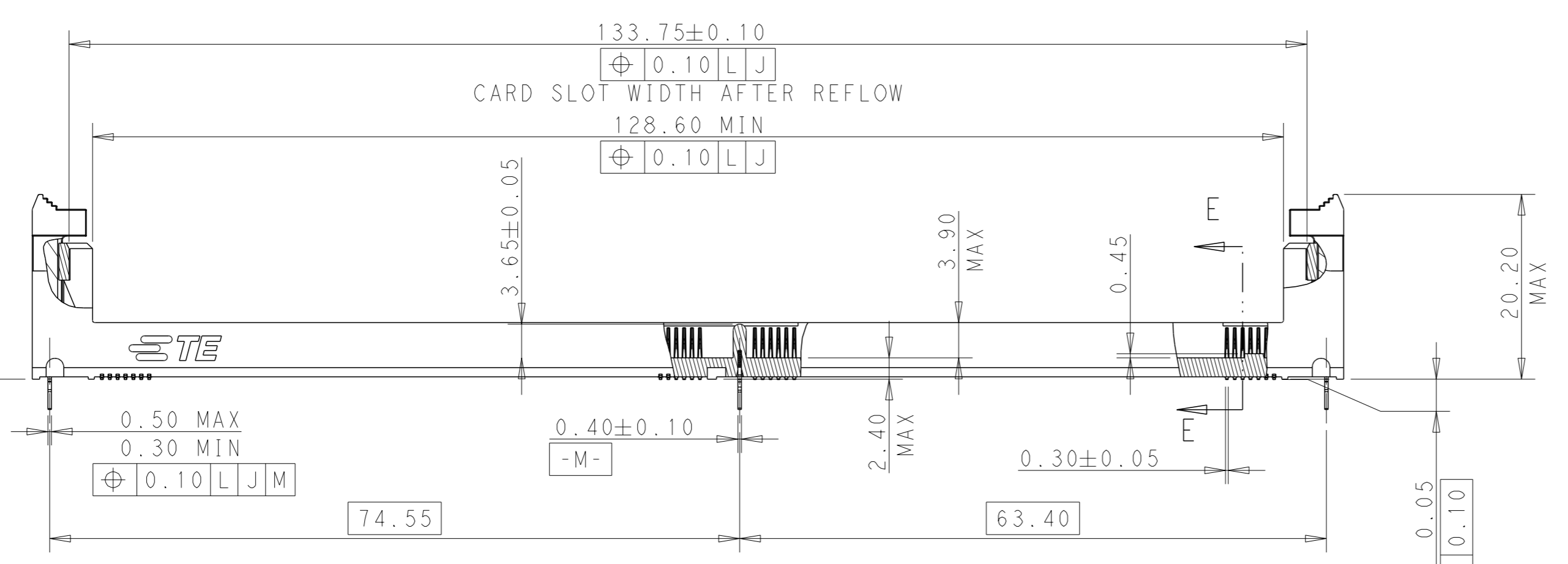
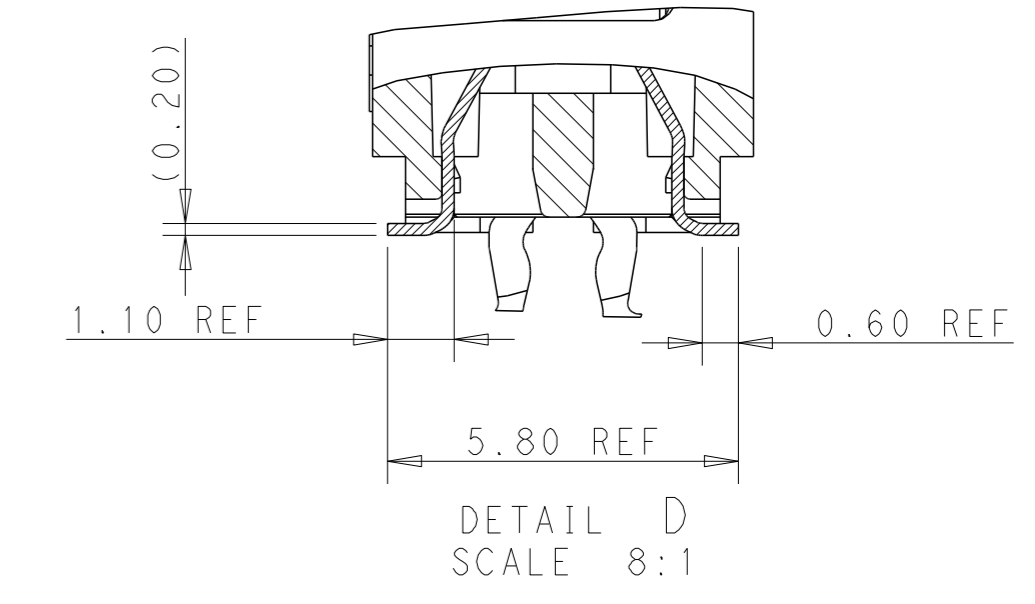
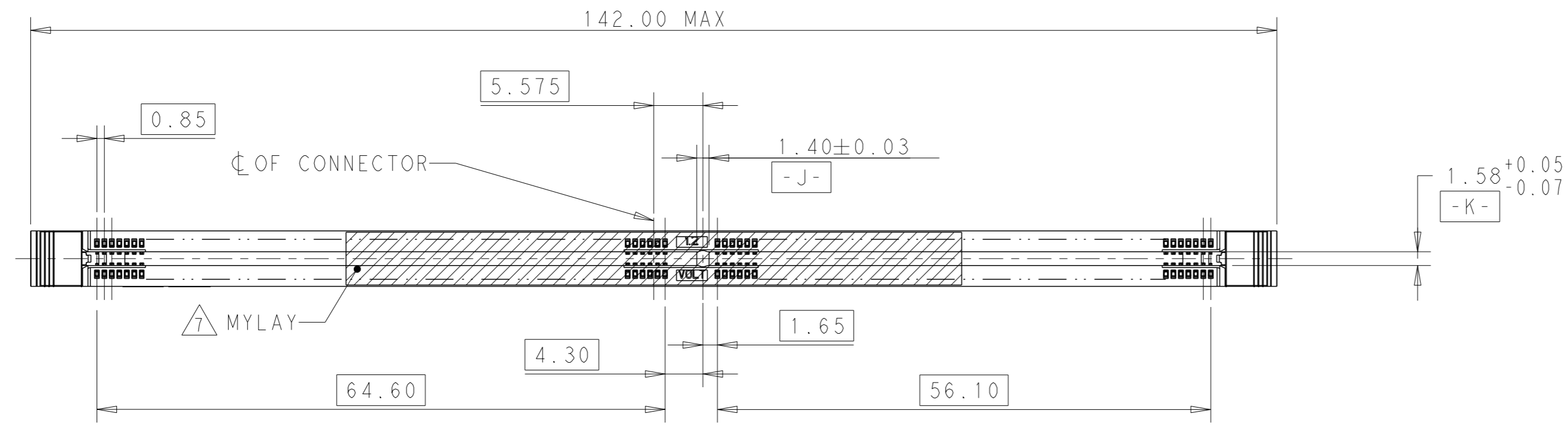


THIS DRAWING IS UNPUBLISHED. RELEASED FOR PUBLICATION 20
 © COPYRIGHT 20 TE CONNECTIVITY ALL RIGHTS RESERVED.

| LOC | | DIST | | REVISIONS | | | |
|-----|-----|---------------------|-----------|-----------|------|--|--|
| P | LTR | DESCRIPTION | DATE | DWN | APVD | | |
| | B | REVISED | 23NOV2020 | SS | DZ | | |
| | B1 | REVISED | 25NOV2020 | DZ | SS | | |
| | B2 | ADD TYPE VI PACKAGE | 25DEC2020 | SS | DZ | | |



- 1 MATERIAL:
 HOUSING: HIGH TEMPERATURE NYLON,UL94 V-0
 LATCH: HIGH TEMPERATURE NYLON,UL94 V-0
 CONTACT: COPPER ALLOY
 RETENTION BARB: STAINLESS STEEL
- 2 INTERFACE FINISH:
 (1) 0.00076 MIN THICK GOLD OVER 0.00127 MIN THICK NICKEL.
 (2) 0.00038 MIN THICK GOLD OVER 0.00127 MIN THICK NICKEL.
 (3) 0.00050 MIN THICK GOLD OVER 0.00228 MIN THICK NICKEL.
 (4) 0.00045 MIN THICK GOLD OVER 0.00127 MIN THICK NICKEL.
- 3 SOLDER TAIL FINISH:
 0.00300 MIN THICK MATTE TIN OVER 0.00127 MIN THICK NICKEL.
- 4 KEEP OUT ZONE.
- 5 KEEP OUT AREA RESERVED FOR SOCKET LATCHES, BOTH ENDS.
- 6 DATUM [Z] IS CONNECTOR SIDE SURFACE OF PCB.
- 7 MYLAR WITH SIZE 70X6 IS LOCATED IN THE CENTER OF CONNECTOR.
- 8 SLOT LENGTH IS INSPECTED AFTER REFLOW.

| | | | | |
|--|--|---------------------------|-----------------------------|-----------------|
| THIS DRAWING IS A CONTROLLED DOCUMENT. | | DWN RICHARD MA 17JAN2014 | TE Connectivity | |
| DIMENSIONS: mm | | CHK SIMON LI 17JAN2014 | | |
| TOLERANCES UNLESS OTHERWISE SPECIFIED: | | APVD COREI WANG 17JAN2014 | NAME SOCKET ASSEMBLY | |
| 0 PLC ± | | PRODUCT SPEC 108-115068 | DDR4 DIMM, SMT TYPE GENERAL | |
| 1 PLC ±0.25 | | APPLICATION SPEC | 288 POSITION | |
| 2 PLC ±0.15 | | WEIGHT - | SIZE A2 | CAGE CODE 00779 |
| 3 PLC ±0.10 | | RESTRICTED CUSTOMER | DRAWING NO C-2199155 | RESTRICTED TO |
| 4 PLC ± | | SCALE 2:1 | SHEET 1 OF 14 | REV B2 |
| ANGLES ± | | | | |
| FINISH | | | | |

Printed on 4 Jan 2021 12:09 from F6086959

4

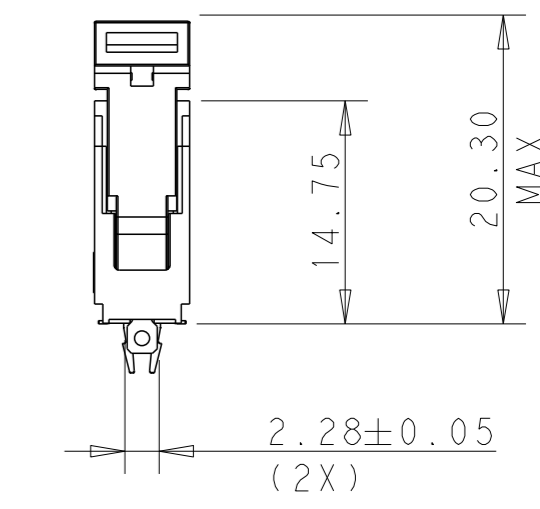
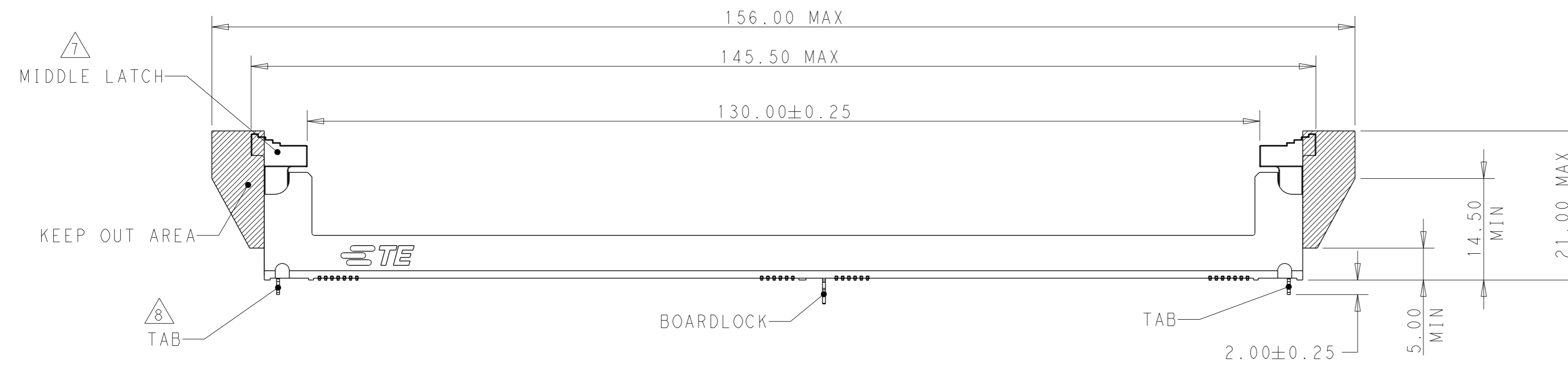
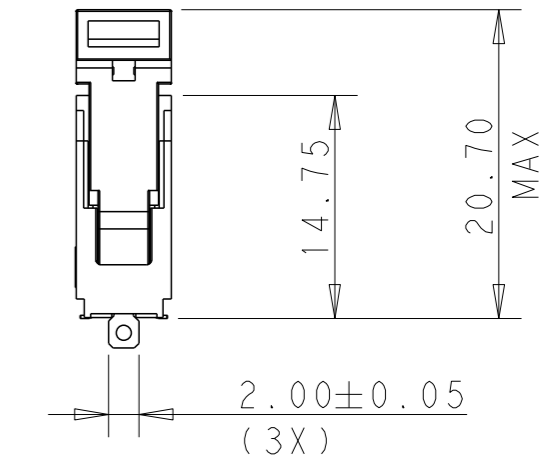
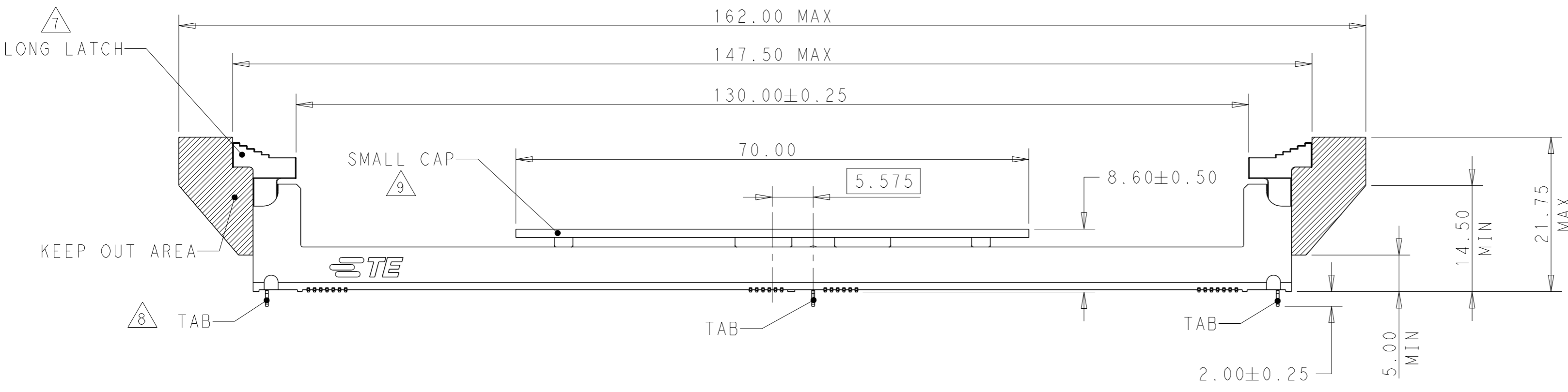
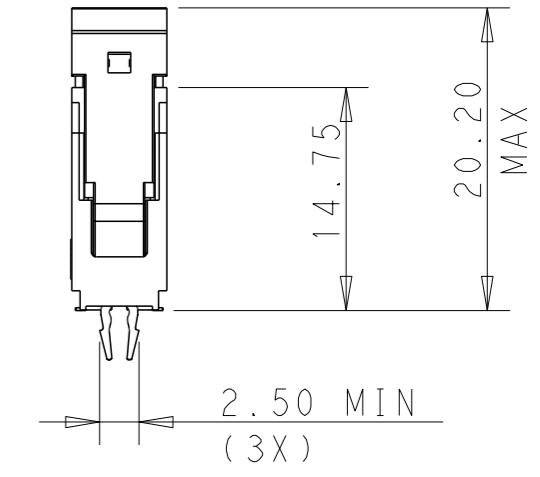
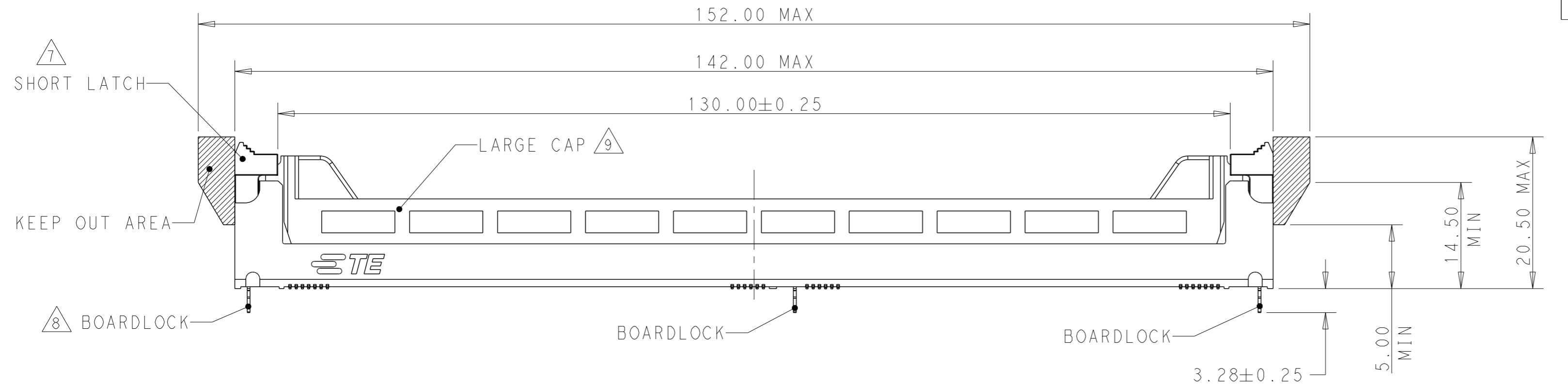
3

2

1

THIS DRAWING IS UNPUBLISHED. RELEASED FOR PUBLICATION 20
 © COPYRIGHT 20 TE CONNECTIVITY ALL RIGHTS RESERVED.

| LOC | | DIST | | REVISIONS | | | |
|-----|-----|-------------|------|-----------|------|--|--|
| P | LTR | DESCRIPTION | DATE | DWN | APVD | | |
| - | - | | | | | | |



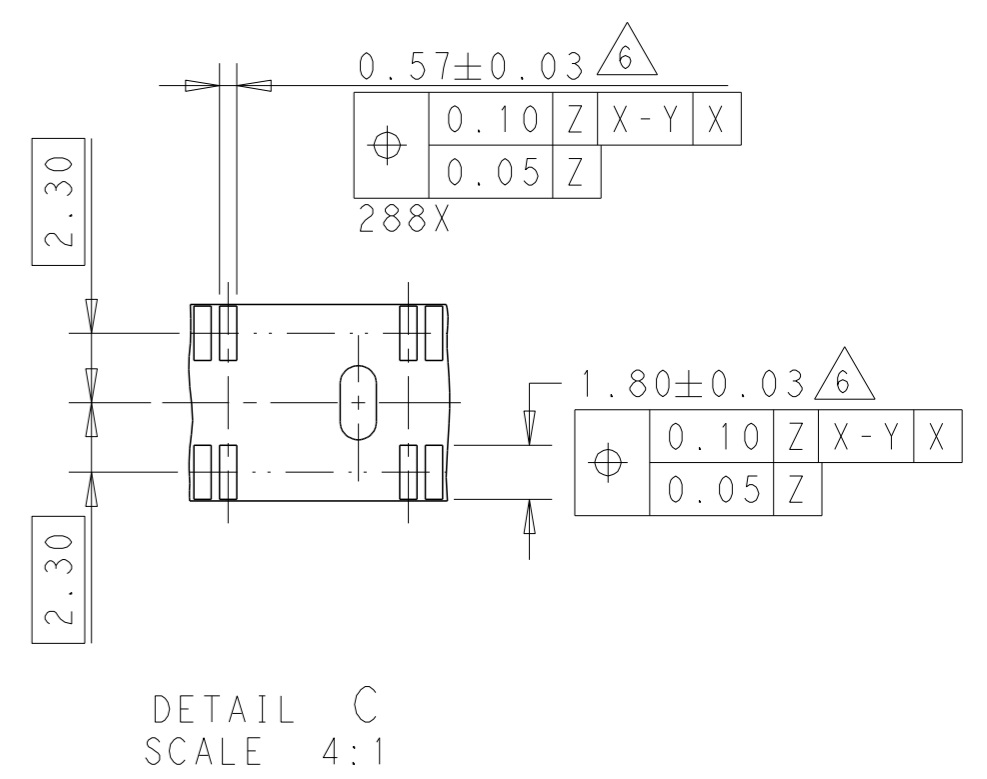
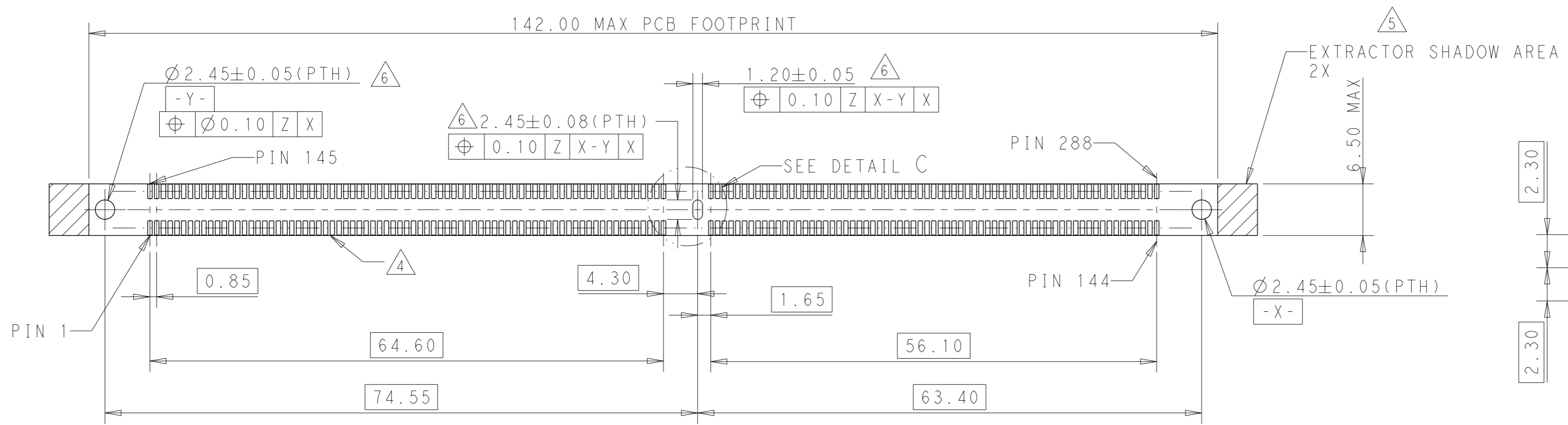
- ⑦ SHORT, LONG AND MIDDLE LATCH ARE OPTIONAL FOR DIFFERENT KEEPOUT APPLICATION.
- ⑧ BOARDLOCK AND TAB ARE OPTIONAL FOR DIFFERENT APPLICATION.
- ⑨ MYLAR AND LARGE CAP & SMALL CAP ARE OPTIONAL FOR DIFFERENT APPLICATION.

| | | | | |
|--|--|---------------------------|-----------------------------|-----------------|
| THIS DRAWING IS A CONTROLLED DOCUMENT. | | DWN RICHARD MA 17JAN2014 | TE Connectivity | |
| DIMENSIONS: mm | | CHK SIMON LI 17JAN2014 | | |
| TOLERANCES UNLESS OTHERWISE SPECIFIED: | | APVD COREL WANG 17JAN2014 | NAME SOCKET ASSEMBLY | |
| 0 PLC ± | | PRODUCT SPEC 108-115068 | DDR4 DIMM, SMT TYPE GENERAL | |
| 1 PLC ±0.25 | | APPLICATION SPEC | 288 POSITION | |
| 2 PLC ±0.15 | | WEIGHT - | SIZE A2 | CAGE CODE 00779 |
| 3 PLC ±0.10 | | RESTRICTED CUSTOMER | DRAWING NO C-2199155 | RESTRICTED TO |
| 4 PLC ANGLES ± | | | SCALE 3:1 | SHEET 2 OF 14 |
| FINISH | | | | REV B2 |

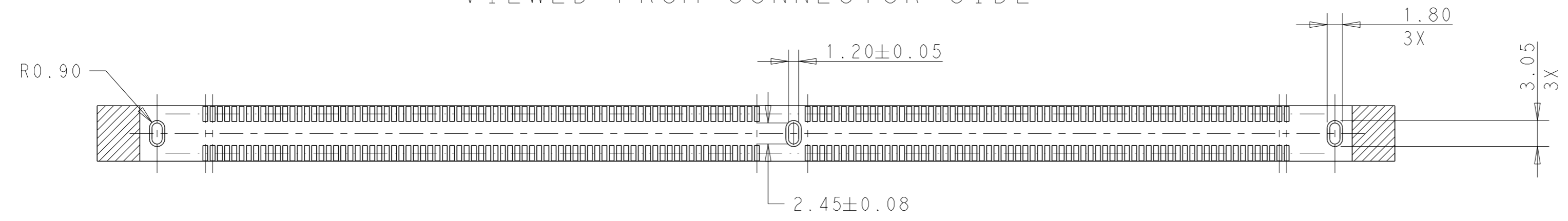
Printed on 4 Jan 2021 12:09 from F6086959

THIS DRAWING IS UNPUBLISHED. RELEASED FOR PUBLICATION 20
 © COPYRIGHT 20 TE CONNECTIVITY ALL RIGHTS RESERVED.

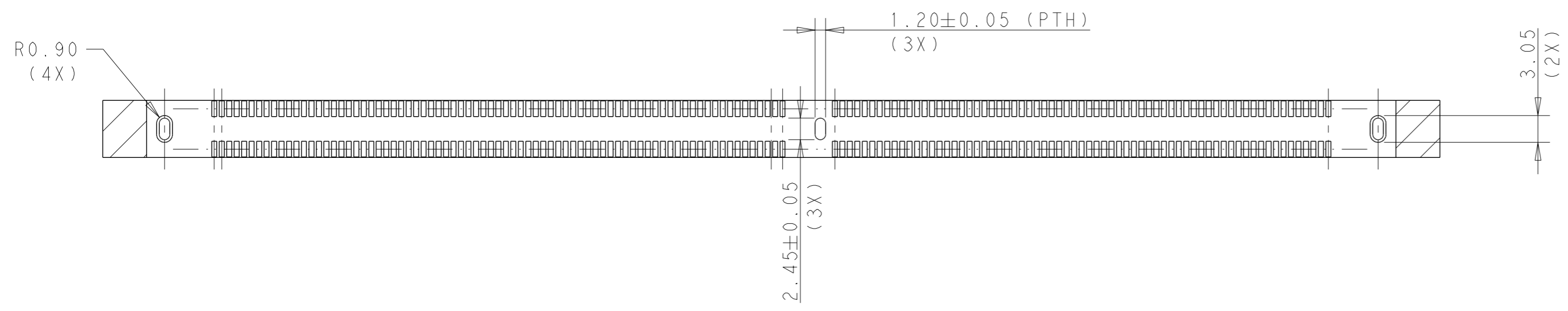
| LOC | | DIST | | REVISIONS | | | |
|-----|-----|-------------|------|-----------|------|--|--|
| P | LTR | DESCRIPTION | DATE | DWN | APVD | | |
| | | | | | | | |



RECOMMENDED PCB LAYOUT FOR 3 BOARDLOCKS
 VIEWED FROM CONNECTOR SIDE



RECOMMENDED PCB LAYOUT FOR 3 TABS



RECOMMENDED PCB LAYOUT FOR 2 SIDE TABS

1. DATUM Z IS THE TOP SIZE OF PCB.
2. HOLD DOWN HOLE SHOULD BE PLATED THROUGH HOLE.

| | | | | |
|--|-------------|---------------------------|-----------------------------|-----------------|
| THIS DRAWING IS A CONTROLLED DOCUMENT. | | DWN RICHARD MA 17JAN2014 | TE Connectivity | |
| DIMENSIONS: mm | | CHK SIMON LI 17JAN2014 | | |
| TOLERANCES UNLESS OTHERWISE SPECIFIED: | | APVD COREL WANG 17JAN2014 | NAME SOCKET ASSEMBLY | |
| 0 PLC ± | 1 PLC ±0.25 | PRODUCT SPEC 108-115068 | DDR4 DIMM, SMT TYPE GENERAL | |
| 2 PLC ±0.15 | 3 PLC ±0.10 | APPLICATION SPEC - | 288 POSITION | |
| 4 PLC ± | ANGLES ± | WEIGHT - | SIZE A2 | CAGE CODE 00779 |
| FINISH | | RESTRICTED CUSTOMER | DRAWING NO C-2199155 | RESTRICTED TO |
| | | | SCALE 1:1 | SHEET 3 OF 14 |
| | | | | REV B2 |

Printed on 4 Jan 2021 12:09 from F6086959

THIS DRAWING IS UNPUBLISHED. RELEASED FOR PUBLICATION 20
 © COPYRIGHT 20 TE CONNECTIVITY ALL RIGHTS RESERVED.


| LOC | | DIST | | REVISIONS | | | |
|-----|-----|-------------|------|-----------|------|--|--|
| P | LTR | DESCRIPTION | DATE | DWN | APVD | | |
| - | - | | | | | | |

SHORT LATCH TYPE

| | | | | | | | |
|--------------|--------------|-------------|-------------------|-------------|---------------|------------------------|-------------|
| TYPE V | NO MYLAR | SHORT LATCH | 3 TAB | NATURAL | BLACK | 0.00038 MIN | 2368060-4 |
| TYPE V | NO MYLAR | SHORT LATCH | 3 TAB | BLACK | BLACK | 0.00038 MIN | 2368060-3 |
| TYPE I | MYLAR | SHORT LATCH | 3 TAB | NATURAL | YELLOW(107C) | 0.00038 MIN | 9-2199155-3 |
| TYPE I | MYLAR | SHORT LATCH | 3 TAB | NATURAL | BLACK | 0.00076 MIN | 9-2199155-2 |
| TYPE I | MYLAR | SHORT LATCH | 3 TAB | NATURAL | BLACK | 0.00038 MIN | 9-2199155-1 |
| TYPE I | MYLAR | SHORT LATCH | 3 BOARDLOCK | GREEN(375C) | BLACK | 0.00050 MIN | 8-2199155-1 |
| TYPE I | MYLAR | SHORT LATCH | 3 BOARDLOCK | BLUE(2935U) | BLUE(2935U) | 0.00076 MIN | 6-2199155-9 |
| TYPE I | NO MYLAR | SHORT LATCH | 3 BOARDLOCK | NATURAL | BLACK | 0.00076 MIN | 6-2199155-8 |
| TYPE I | NO MYLAR | SHORT LATCH | 3 BOARDLOCK | BLACK | BLACK | 0.00076 MIN | 6-2199155-4 |
| TYPE I | MYLAR | SHORT LATCH | 3 BOARDLOCK | BLACK | BLACK | 0.00050 MIN | 5-2199155-2 |
| TYPE I | MYLAR | SHORT LATCH | 3 BOARDLOCK | NATURAL | BLACK | 0.00050 MIN | 5-2199155-1 |
| TYPE I | MYLAR | SHORT LATCH | 3 BOARDLOCK | NATURAL | BLUE(2935U) | 0.00038 MIN | 5-2199155-0 |
| TYPE I | MYLAR | SHORT LATCH | 3 BOARDLOCK | BLACK | NATURAL | 0.00076 MIN | 4-2199155-8 |
| TYPE I | NO MYLAR | SHORT LATCH | 3 BOARDLOCK | NATURAL | NATURAL | 0.00076 MIN | 4-2199155-7 |
| TYPE I | MYLAR | SHORT LATCH | 3 TAB | NATURAL | NATURAL | 0.00076 MIN | 4-2199155-6 |
| TYPE I | MYLAR | SHORT LATCH | 3 TAB | BLACK | BLACK | 0.00076 MIN | 4-2199155-5 |
| TYPE III | NO MYLAR | SHORT LATCH | 3 TAB | NATURAL | BLACK | 0.00038 MIN | 3-2199155-4 |
| TYPE III | NO MYLAR | SHORT LATCH | 3 TAB | BLACK | BLACK | 0.00038 MIN | 3-2199155-3 |
| TYPE I | MYLAR | SHORT LATCH | 3 TAB | BLACK | BLACK | 0.00038 MIN | 3-2199155-2 |
| TYPE I | MYLAR | SHORT LATCH | 3 BOARDLOCK | NATURAL | BLUE(2935U) | 0.00076 MIN | 1-2199155-3 |
| TYPE I | MYLAR | SHORT LATCH | 3 BOARDLOCK | GREEN(375C) | BLACK | 0.00076 MIN | 2199155-7 |
| TYPE I | MYLAR | SHORT LATCH | 3 BOARDLOCK | NATURAL | NATURAL | 0.00076 MIN | 2199155-6 |
| TYPE I | MYLAR | SHORT LATCH | 3 TAB | NATURAL | BLUE(2935U) | 0.00076 MIN | 2199155-5 |
| TYPE I | MYLAR | SHORT LATCH | 3 BOARDLOCK | BLACK | BLACK | 0.00076 MIN | 2199155-4 |
| TYPE I | MYLAR | SHORT LATCH | 3 BOARDLOCK | BLACK | BLACK | 0.00038 MIN | 2199155-3 |
| TYPE I | MYLAR | SHORT LATCH | 3 BOARDLOCK | NATURAL | BLACK | 0.00076 MIN | 2199155-2 |
| TYPE I | MYLAR | SHORT LATCH | 3 BOARDLOCK | NATURAL | BLACK | 0.00038 MIN | 2199155-1 |
| PACKAGE TYPE | PICK-UP TYPE | LATCH TYPE | HOUSING HOLD DOWN | LATCH COLOR | HOUSING COLOR | CONTACT GOLD INTERFACE | PART NUMBER |

Printed on 4 Jan 2021 12:09 from F608699

THIS DRAWING IS A CONTROLLED DOCUMENT.

| | | | |
|-------------------|---|---|---|
| DIMENSIONS: mm | TOLERANCES UNLESS OTHERWISE SPECIFIED: 0 PLC ± 1 PLC ±0.25 2 PLC ±0.15 3 PLC ±0.10 4 PLC ± ANGLES ± FINISH | DWN RICHARD MA 17JAN2014 CHK SIMON LI 17JAN2014 APVD COREI WANG 17JAN2014 PRODUCT SPEC 108-115068 APPLICATION SPEC WEIGHT - RESTRICTED CUSTOMER |  TE Connectivity NAME SOCKET ASSEMBLY DDR4 DIMM, SMT TYPE GENERAL 288 POSITION SIZE A2 CAGE CODE 00779 DRAWING NO C-2199155 RESTRICTED TO |
|-------------------|---|---|---|

SCALE 1:1 SHEET 4 OF 14 REV B2

THIS DRAWING IS UNPUBLISHED. RELEASED FOR PUBLICATION 20
 © COPYRIGHT 20 TE CONNECTIVITY ALL RIGHTS RESERVED.

| LOC | DIST | REVISIONS | | | |
|-----|------|-------------|------|-----|------|
| P | LTR | DESCRIPTION | DATE | DWN | APVD |
| - | - | | | | |

LONG LATCH TYPE

OBSOLETE

| | | | | | | | |
|--------------|--------------|------------|-------------------|-------------|---------------|------------------------|-------------|
| TYPE VI | NO MYLAR | LONG LATCH | 3 BOARDLOCK | NATURAL | BLUE(2935U) | 0.00076 MIN | 1-2368060-9 |
| TYPE VI | NO MYLAR | LONG LATCH | 3 BOARDLOCK | NATURAL | BLACK | 0.00076 MIN | 1-2368060-8 |
| TYPE I | MYLAR | LONG LATCH | 3 TAB | BLACK | BLACK | 0.00076 MIN | 9-2199155-9 |
| TYPE I | MYLAR | LONG LATCH | 3 TAB | NATURAL | BLACK | 0.00076 MIN | 9-2199155-6 |
| TYPE I | MYLAR | LONG LATCH | 3 TAB | NATURAL | YELLOW(107C) | 0.00038 MIN | 9-2199155-5 |
| TYPE I | MYLAR | LONG LATCH | 3 TAB | NATURAL | BLACK | 0.00038 MIN | 9-2199155-4 |
| TYPE I | MYLAR | LONG LATCH | 3 BOARDLOCK | BLACK | BLACK | 0.00038 MIN | 9-2199155-0 |
| TYPE I | NO MYLAR | LONG LATCH | 3 TAB | NATURAL | BLUE(2935U) | 0.00038 MIN | 8-2199155-9 |
| TYPE I | NO MYLAR | LONG LATCH | 3 TAB | NATURAL | BLACK | 0.00038 MIN | 8-2199155-8 |
| TYPE I | MYLAR | LONG LATCH | 3 TAB | NATURAL | BLUE(2935U) | 0.00076 MIN | 8-2199155-5 |
| TYPE I | MYLAR | LONG LATCH | 3 BOARDLOCK | NATURAL | NATURAL | 0.00038 MIN | 8-2199155-4 |
| TYPE I | MYLAR | LONG LATCH | 3 BOARDLOCK | BLUE(2935U) | BLUE(2935U) | 0.00038 MIN | 8-2199155-3 |
| TYPE I | MYLAR | LONG LATCH | 3 TAB | BLUE(2935U) | BLUE(2935U) | 0.00076 MIN | 8-2199155-2 |
| TYPE I | NO MYLAR | LONG LATCH | 3 BOARDLOCK | BLACK | BLACK | 0.00076 MIN | 7-2199155-8 |
| TYPE II | MYLAR | LONG LATCH | 2TAB+1BOARDLOCK | NATURAL | NATURAL | 0.00038 MIN | 7-2199155-7 |
| TYPE II | MYLAR | LONG LATCH | 2TAB+1BOARDLOCK | BLACK | BLACK | 0.00038 MIN | 7-2199155-6 |
| TYPE I | NO MYLAR | LONG LATCH | 3 BOARDLOCK | BLUE(2935U) | BLUE(2935U) | 0.00076 MIN | 7-2199155-5 |
| TYPE I | NO MYLAR | LONG LATCH | 3 BOARDLOCK | BLUE(2935U) | BLUE(2935U) | 0.00038 MIN | 7-2199155-4 |
| TYPE I | NO MYLAR | LONG LATCH | 3 BOARDLOCK | BLACK | BLACK | 0.00038 MIN | 7-2199155-3 |
| TYPE I | MYLAR | LONG LATCH | 3 BOARDLOCK | BLACK | BLACK | 0.00076 MIN | 7-2199155-2 |
| TYPE I | MYLAR | LONG LATCH | 3 BOARDLOCK | NATURAL | BLUE(2935U) | 0.00045 MIN | 7-2199155-1 |
| TYPE I | MYLAR | LONG LATCH | 3 BOARDLOCK | NATURAL | BLACK | 0.00045 MIN | 7-2199155-0 |
| TYPE I | MYLAR | LONG LATCH | 3 TAB | GREEN(375C) | YELLOW(107C) | 0.00038 MIN | 6-2199155-7 |
| TYPE I | MYLAR | LONG LATCH | 3 TAB | GREEN(375C) | BLACK | 0.00038 MIN | 6-2199155-6 |
| TYPE I | MYLAR | LONG LATCH | 3 TAB | NATURAL | YELLOW(107C) | 0.00038 MIN | 6-2199155-5 |
| TYPE I | NO MYLAR | LONG LATCH | 3 BOARDLOCK | NATURAL | YELLOW(107C) | 0.00038 MIN | 6-2199155-3 |
| TYPE I | MYLAR | LONG LATCH | 3 BOARDLOCK | BLUE(2935U) | BLUE(2935U) | 0.00076 MIN | 4-2199155-9 |
| TYPE I | NO MYLAR | LONG LATCH | 3 TAB | NATURAL | YELLOW(107C) | 0.00038 MIN | 2-2199155-4 |
| TYPE I | MYLAR | LONG LATCH | 3 BOARDLOCK | NATURAL | NATURAL | 0.00076 MIN | 2-2199155-3 |
| TYPE I | MYLAR | LONG LATCH | 3 TAB | NATURAL | NATURAL | 0.00076 MIN | 2-2199155-2 |
| TYPE VI | NO MYLAR | LONG LATCH | 3 BOARDLOCK | NATURAL | BLUE(2935U) | 0.00076 MIN | 1-2199155-9 |
| TYPE VI | NO MYLAR | LONG LATCH | 3 BOARDLOCK | NATURAL | BLACK | 0.00076 MIN | 1-2199155-8 |
| TYPE I | MYLAR | LONG LATCH | 3 TAB | BLACK | BLACK | 0.00038 MIN | 1-2199155-6 |
| TYPE I | MYLAR | LONG LATCH | 3 TAB | NATURAL | BLUE(2935U) | 0.00038 MIN | 1-2199155-5 |
| PACKAGE TYPE | PICK-UP TYPE | LATCH TYPE | HOUSING HOLD DOWN | LATCH COLOR | HOUSING COLOR | CONTACT GOLD INTERFACE | PART NUMBER |

Printed on 4 Jan 2021 12:09 from F0086959

THIS DRAWING IS A CONTROLLED DOCUMENT.

DWN RICHARD MA 17JAN2014
 CHK SIMON LI 17JAN2014
 APVD COREL WANG 17JAN2014

STE TE Connectivity

NAME SOCKET ASSEMBLY
 DDR4 DIMM, SMT TYPE GENERAL
 288 POSITION

PRODUCT SPEC 108-115068
 APPLICATION SPEC -

SIZE A2 CAGE CODE 00779 DRAWING NO C-2199155 RESTRICTED TO

WEIGHT -

RESTRICTED CUSTOMER SCALE 1:1 SHEET 5 OF 14 REV B2

THIS DRAWING IS UNPUBLISHED. RELEASED FOR PUBLICATION 20
 © COPYRIGHT 20 TE CONNECTIVITY ALL RIGHTS RESERVED.


| LOC | | DIST | | REVISIONS | | | |
|-----|-----|-------------|------|-----------|------|--|--|
| P | LTR | DESCRIPTION | DATE | DWN | APVD | | |
| - | - | | | | | | |

MIDDLE LATCH TYPE

| | | | | | | | |
|--------------|--------------|--------------|-------------------|-------------|---------------|------------------------|-------------|
| TYPE I | MYLAR | MIDDLE LATCH | 3 TAB | NATURAL | BLACK | 0.00076 MIN | 2368060-6 |
| TYPE I | MYLAR | MIDDLE LATCH | 3 TAB | BLACK | BLACK | 0.00076 MIN | 2368060-5 |
| TYPE I | MYLAR | MIDDLE LATCH | 3 BOARDLOCK | NATURAL | YELLOW(107C) | 0.00038 MIN | 2368060-2 |
| TYPE I | MYLAR | MIDDLE LATCH | 3 BOARDLOCK | NATURAL | BLACK | 0.00038 MIN | 2368060-1 |
| TYPE I | MYLAR | MIDDLE LATCH | 3 TAB | NATURAL | NATURAL | 0.00076 MIN | 6-2199155-2 |
| TYPE I | MYLAR | MIDDLE LATCH | 3 TAB | BLACK | BLACK | 0.00076 MIN | 6-2199155-1 |
| TYPE I | MYLAR | MIDDLE LATCH | 2TAB+1BOARDLOCK | NATURAL | BLACK | 0.00038 MIN | 6-2199155-0 |
| TYPE I | MYLAR | MIDDLE LATCH | 2TAB+1BOARDLOCK | NATURAL | BLUE(2935U) | 0.00038 MIN | 5-2199155-9 |
| TYPE I | NO MYLAR | MIDDLE LATCH | 3 BOARDLOCK | NATURAL | BLACK | 0.00038 MIN | 5-2199155-8 |
| TYPE I | NO MYLAR | MIDDLE LATCH | 3 BOARDLOCK | NATURAL | YELLOW(107C) | 0.00038 MIN | 5-2199155-7 |
| TYPE I | NO MYLAR | MIDDLE LATCH | 3 BOARDLOCK | NATURAL | BLACK | 0.00076 MIN | 5-2199155-6 |
| TYPE I | NO MYLAR | MIDDLE LATCH | 3 BOARDLOCK | NATURAL | YELLOW(107C) | 0.00076 MIN | 5-2199155-5 |
| TYPE I | MYLAR | MIDDLE LATCH | 3 BOARDLOCK | BLACK | BLACK | 0.00076 MIN | 5-2199155-4 |
| TYPE I | MYLAR | MIDDLE LATCH | 3 BOARDLOCK | NATURAL | BLACK | 0.00076 MIN | 5-2199155-3 |
| TYPE I | LARGE CAP | MIDDLE LATCH | 3 TAB | NATURAL | BLACK | 0.00038 MIN | 3-2199155-7 |
| TYPE I | LARGE CAP | MIDDLE LATCH | 3 TAB | BLACK | BLACK | 0.00038 MIN | 3-2199155-6 |
| TYPE I | NO MYLAR | MIDDLE LATCH | 3 TAB | BLACK | BLACK | 0.00076 MIN | 2-2199155-6 |
| TYPE I | NO MYLAR | MIDDLE LATCH | 3 TAB | NATURAL | NATURAL | 0.00076 MIN | 2-2199155-5 |
| TYPE IV | SMALL CAP | MIDDLE LATCH | 3 TAB | NATURAL | BLACK | 0.00038 MIN | 2-2199155-1 |
| TYPE IV | SMALL CAP | MIDDLE LATCH | 3 TAB | BLACK | BLACK | 0.00038 MIN | 2-2199155-0 |
| TYPE I | MYLAR | MIDDLE LATCH | 3 TAB | NATURAL | BLACK | 0.00076 MIN | 1-2199155-7 |
| TYPE I | NO MYLAR | MIDDLE LATCH | 3 BOARDLOCK | NATURAL | BLUE(2935U) | 0.00045 MIN | 1-2199155-4 |
| TYPE I | NO MYLAR | MIDDLE LATCH | 3 TAB | BLACK | BLUE(2935U) | 0.00076 MIN | 1-2199155-0 |
| PACKAGE TYPE | PICK-UP TYPE | LATCH TYPE | HOUSING HOLD DOWN | LATCH COLOR | HOUSING COLOR | CONTACT GOLD INTERFACE | PART NUMBER |

Printed on 4 Jan 2021 12:09 from F6086959

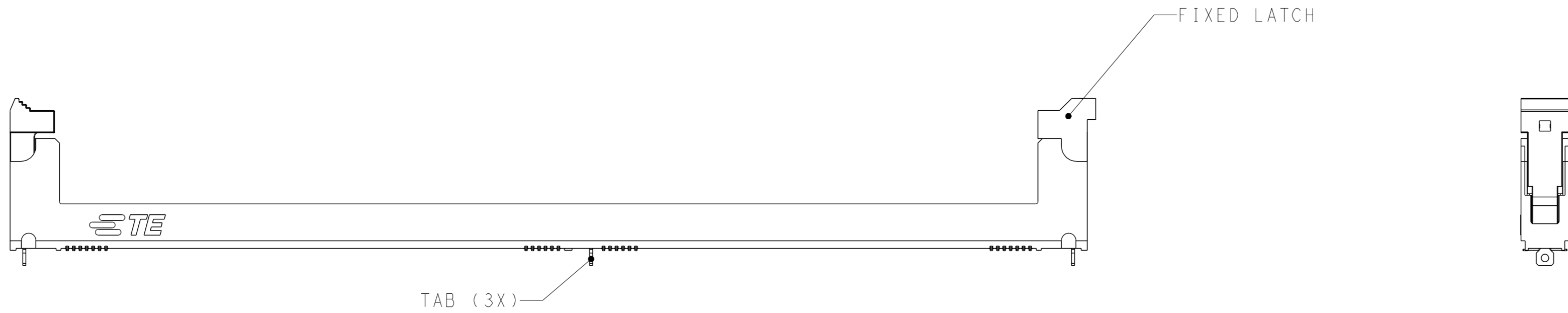
THIS DRAWING IS A CONTROLLED DOCUMENT.

| | | | | |
|---|---|-----------------|----------------------|---------------|
| DWN RICHARD MA 17JAN2014 |  TE Connectivity | | | |
| CHK SIMON LI 17JAN2014 | | | | |
| APVD COREI WANG 17JAN2014 | | | | |
| NAME SOCKET ASSEMBLY DDR4 DIMM, SMT TYPE GENERAL 288 POSITION | | | | |
| PRODUCT SPEC 108-115068 | SIZE A2 | CAGE CODE 00779 | DRAWING NO C-2199155 | RESTRICTED TO |
| APPLICATION SPEC | WEIGHT - | SCALE 1:1 | SHEET 6 OF 14 | REV B2 |
| MATERIAL - | RESTRICTED CUSTOMER | | | |

THIS DRAWING IS UNPUBLISHED. RELEASED FOR PUBLICATION 20
 © COPYRIGHT 20 TE CONNECTIVITY ALL RIGHTS RESERVED.

| LOC | | DIST | | REVISIONS | | | |
|-----|-----|-------------|------|-----------|------|--|--|
| P | LTR | DESCRIPTION | DATE | DWN | APVD | | |
| - | - | | | | | | |

FIXED LATCH TYPE



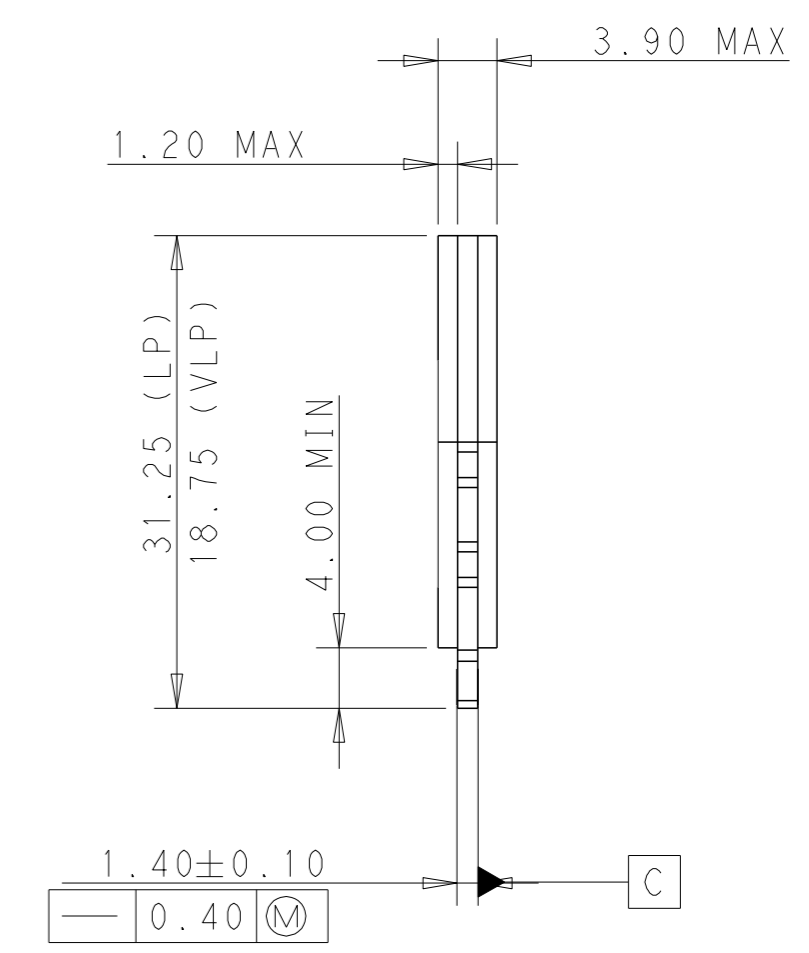
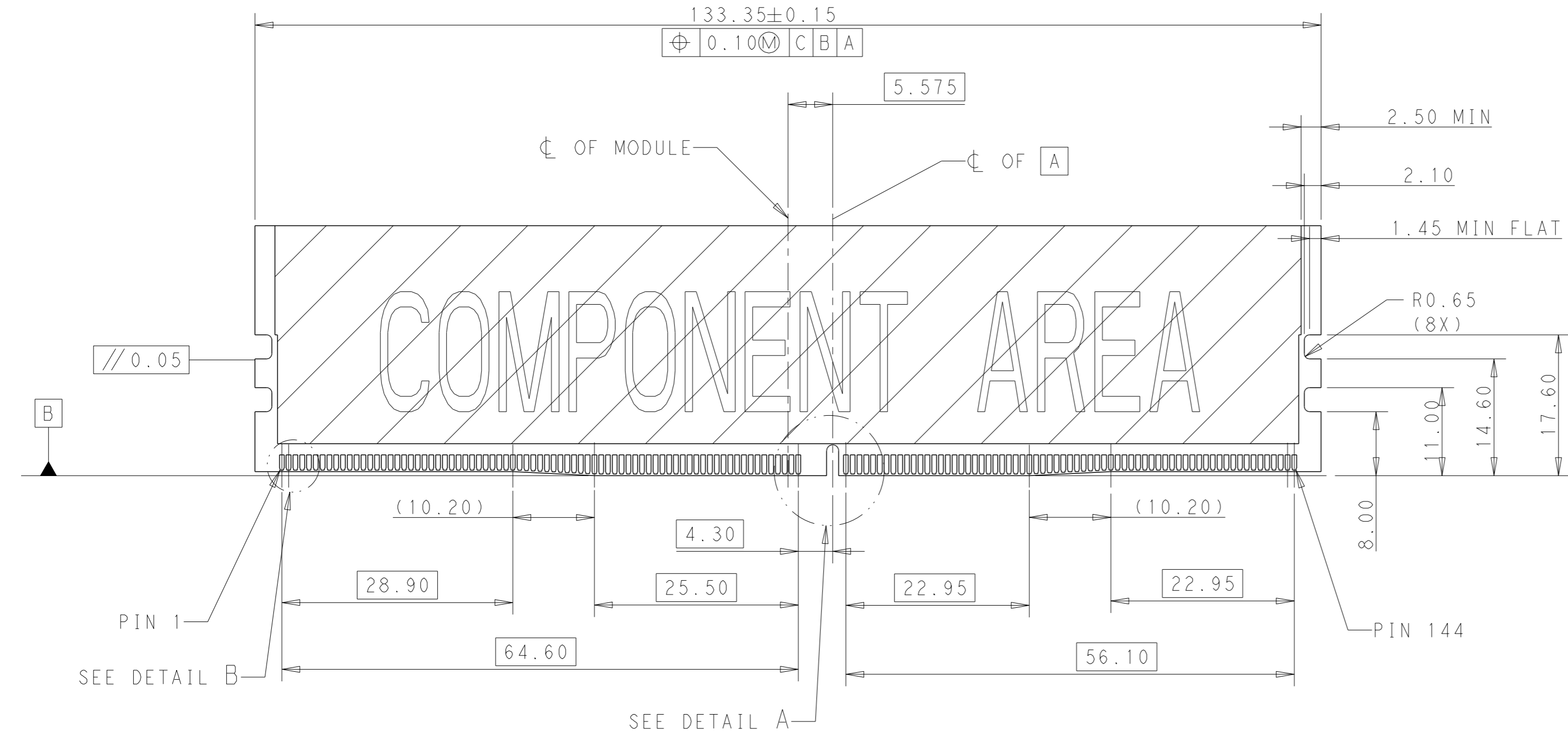
| | | | | | | | | |
|--------------|--------------|------------|-------------|-------------------|-------------|---------------|------------------------|-------------|
| TYPE I | MYLAR | SHORT | FIXED | 3 TAB | NATURAL | BLUE (2935U) | 0.00038 MIN | 3-2199155-0 |
| PACKAGE TYPE | PICK-UP TYPE | LEFT LATCH | RIGHT LATCH | HOUSING HOLD DOWN | LATCH COLOR | HOUSING COLOR | CONTACT GOLD INTERFACE | PART NUMBER |

| | | | | |
|---|--|------------------------------|--|--|
| THIS DRAWING IS A CONTROLLED DOCUMENT. | | DWN 17JAN2014 RICHARD MA | STE TE Connectivity | |
| | | CHK 17JAN2014 SIMON LI | | |
| DIMENSIONS: mm | | APVD 17JAN2014 COREI WANG | NAME SOCKET ASSEMBLY DDR4 DIMM, SMT TYPE GENERAL 288 POSITION | |
| TOLERANCES UNLESS OTHERWISE SPECIFIED: 0 PLC ± 1 PLC ±0.25 2 PLC ±0.15 3 PLC ±0.10 4 PLC ± ANGLES ± FINISH | | PRODUCT SPEC 108-115068 | SIZE CAGE CODE DRAWING NO RESTRICTED TO A200779 C-2199155 | |
| MATERIAL | | WEIGHT - | SCALE 1:1 SHEET 7 OF 14 REV B2 | |
| | | RESTRICTED CUSTOMER | | |

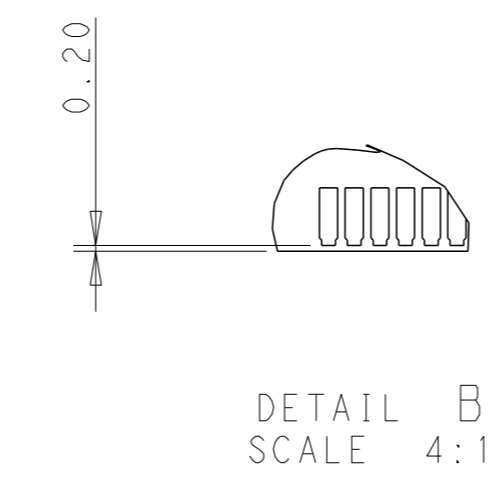
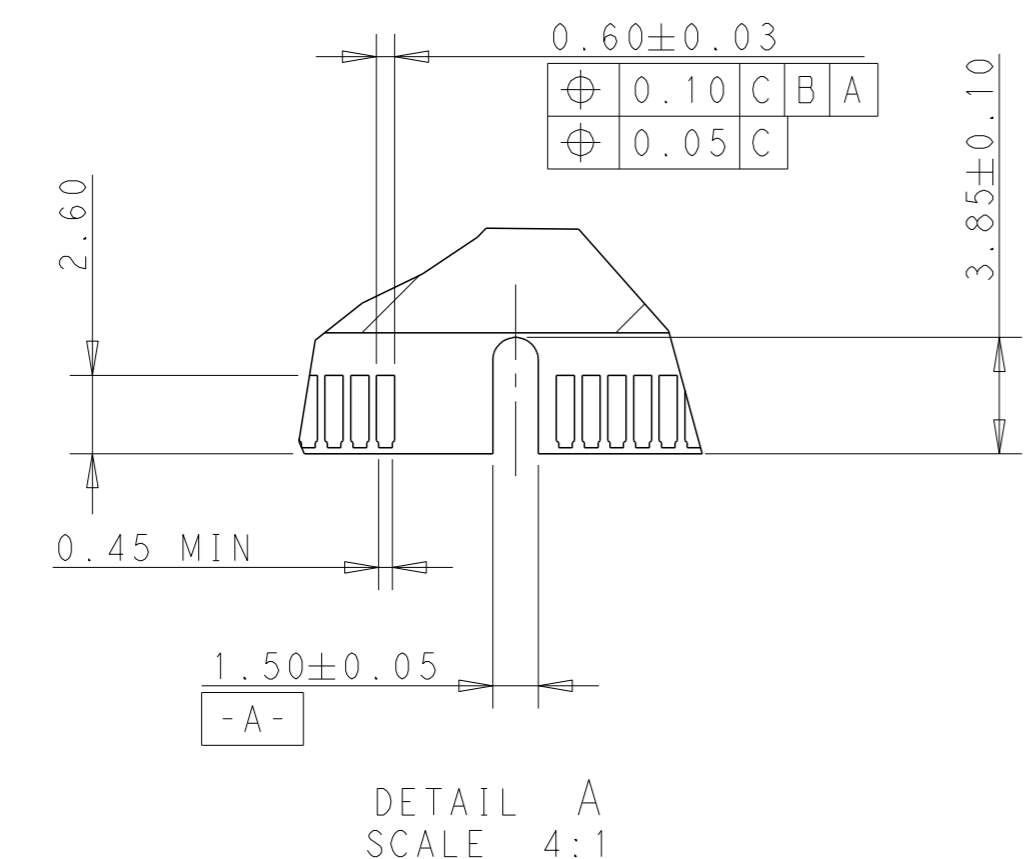
Printed on 4 Jan 2021 12:09 from F6086999

THIS DRAWING IS UNPUBLISHED. RELEASED FOR PUBLICATION 20
 © COPYRIGHT 20 TE CONNECTIVITY ALL RIGHTS RESERVED.

| LOC | | DIST | | REVISIONS | | | |
|-----|-----|-------------|------|-----------|------|--|--|
| P | LTR | DESCRIPTION | DATE | DWN | APVD | | |
| - | - | | | | | | |



RECOMMENDED MODULE LAYOUT

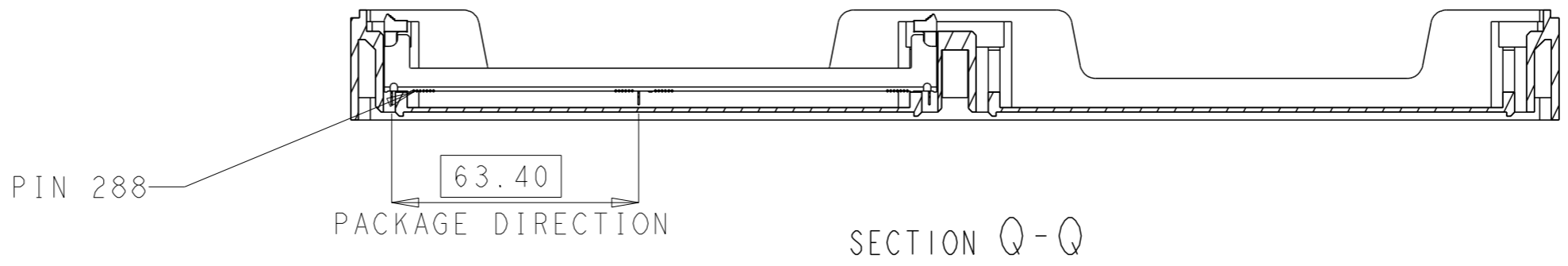
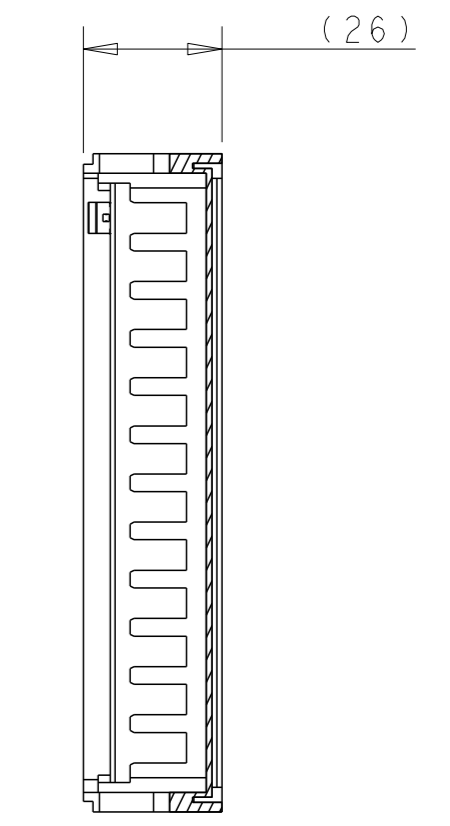
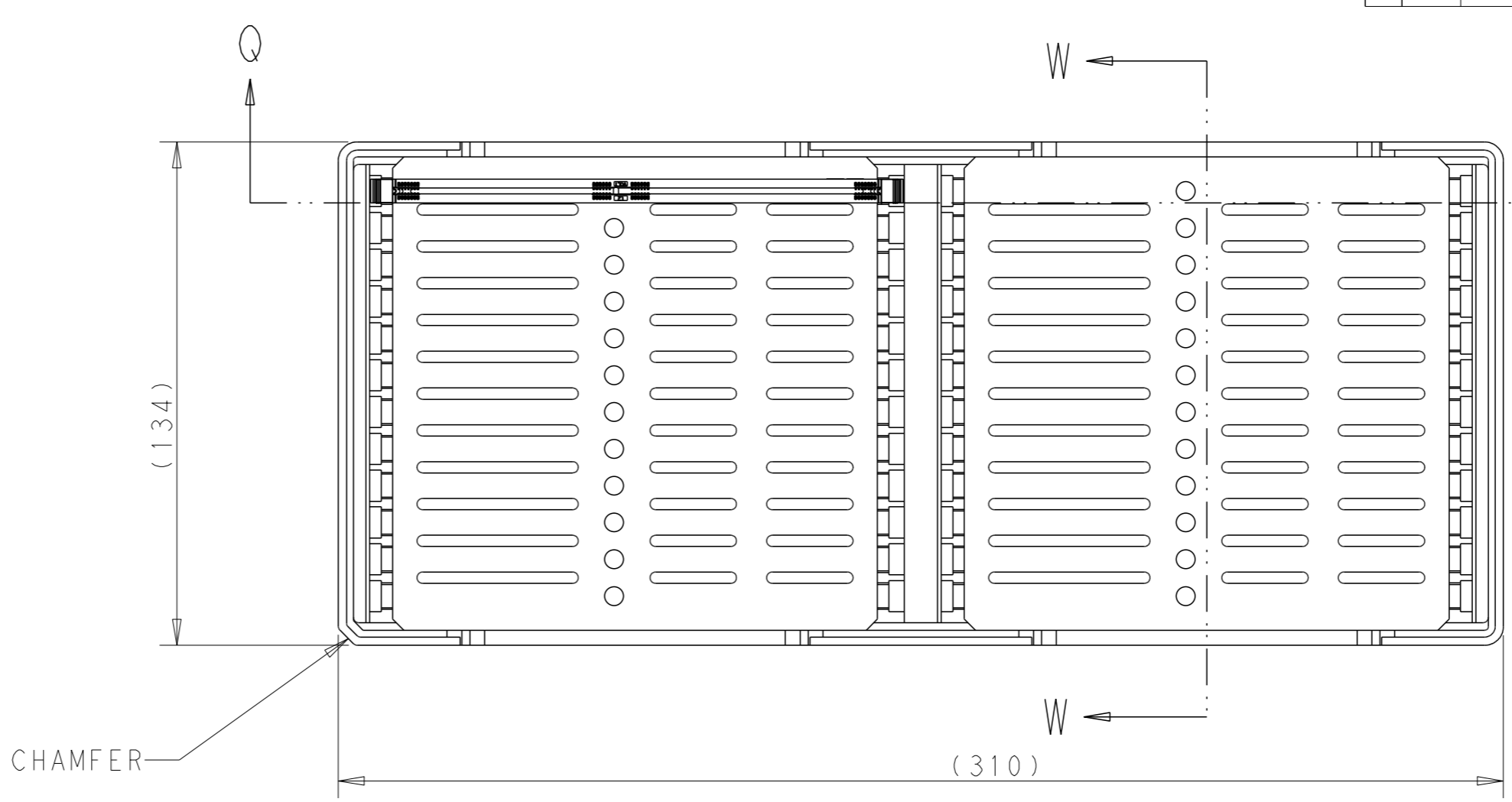
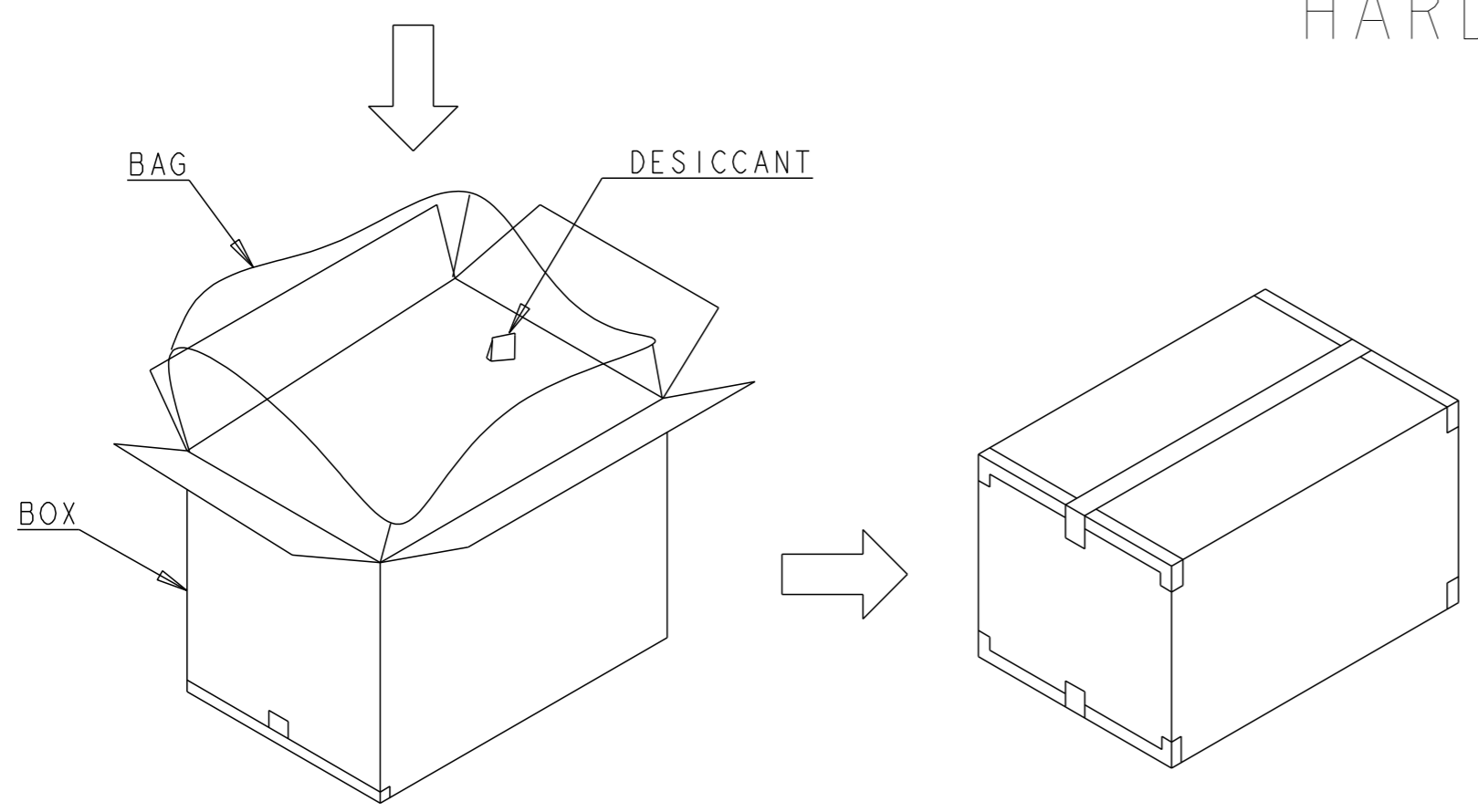
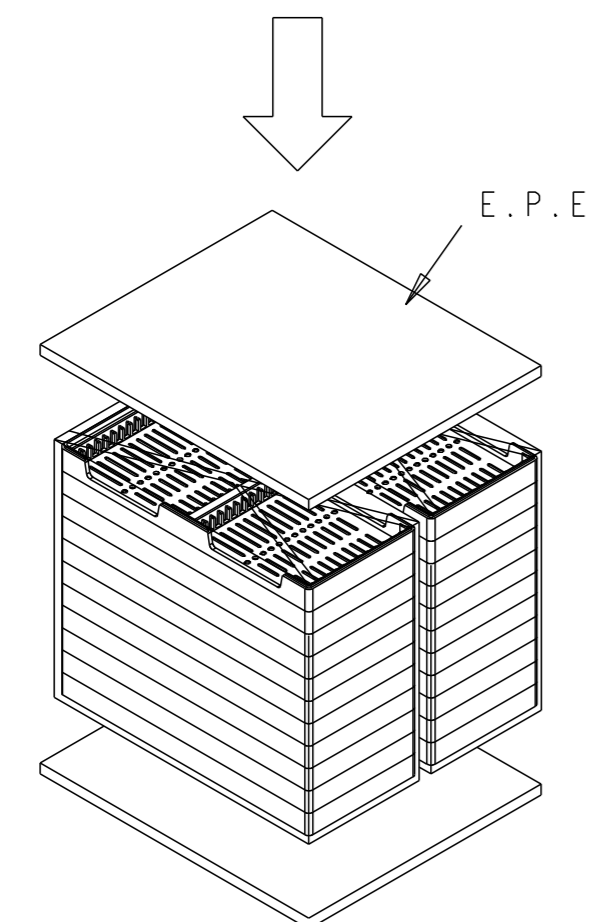
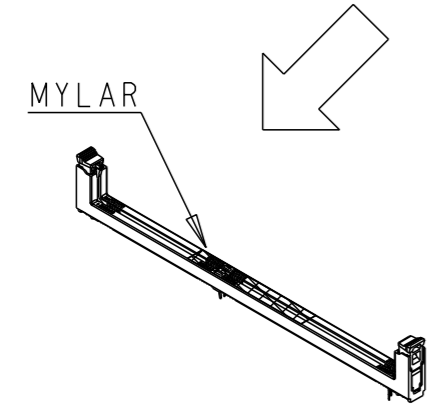
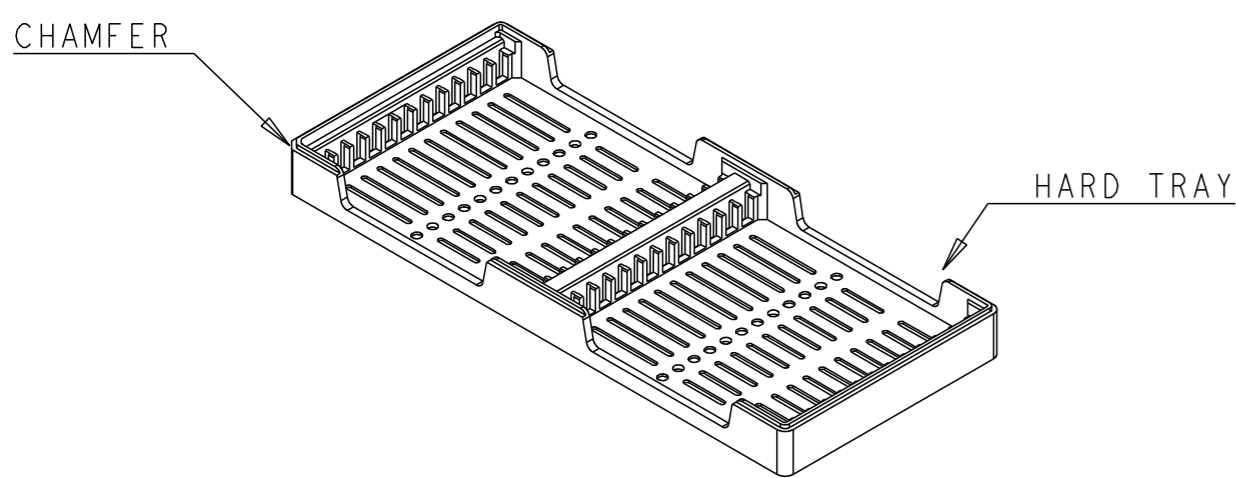


| | | | | |
|--|--|---------------------------|---|--|
| THIS DRAWING IS A CONTROLLED DOCUMENT. | | DWN RICHARD MA 17JAN2014 | TE Connectivity | |
| DIMENSIONS: mm | | CHK SIMON LI 17JAN2014 | | |
| TOLERANCES UNLESS OTHERWISE SPECIFIED: | | APVD COREI WANG 17JAN2014 | NAME SOCKET ASSEMBLY DDR4 DIMM, SMT TYPE GENERAL 288 POSITION | |
| 0 PLC ± | | PRODUCT SPEC 108-115068 | SIZE CAGE CODE DRAWING NO RESTRICTED TO | |
| 1 PLC ±0.25 | | APPLICATION SPEC - | A200779 C-2199155 | |
| 2 PLC ±0.15 | | WEIGHT - | SCALE 1:1 SHEET 8 OF 14 REV B2 | |
| 3 PLC ±0.10 | | RESTRICTED CUSTOMER | | |
| 4 PLC ± | | | | |
| ANGLES ± | | | | |
| FINISH | | | | |

Printed on 4 Jan 2021 12:09 from F6086959

THIS DRAWING IS UNPUBLISHED. RELEASED FOR PUBLICATION 20
 © COPYRIGHT 20 TE CONNECTIVITY ALL RIGHTS RESERVED.

| LOC | | DIST | | REVISIONS | | | |
|-----|-----|-------------|------|-----------|------|--|--|
| P | LTR | DESCRIPTION | DATE | DWN | APVD | | |
| - | - | | | | | | |



HARD TRAY TYPE I

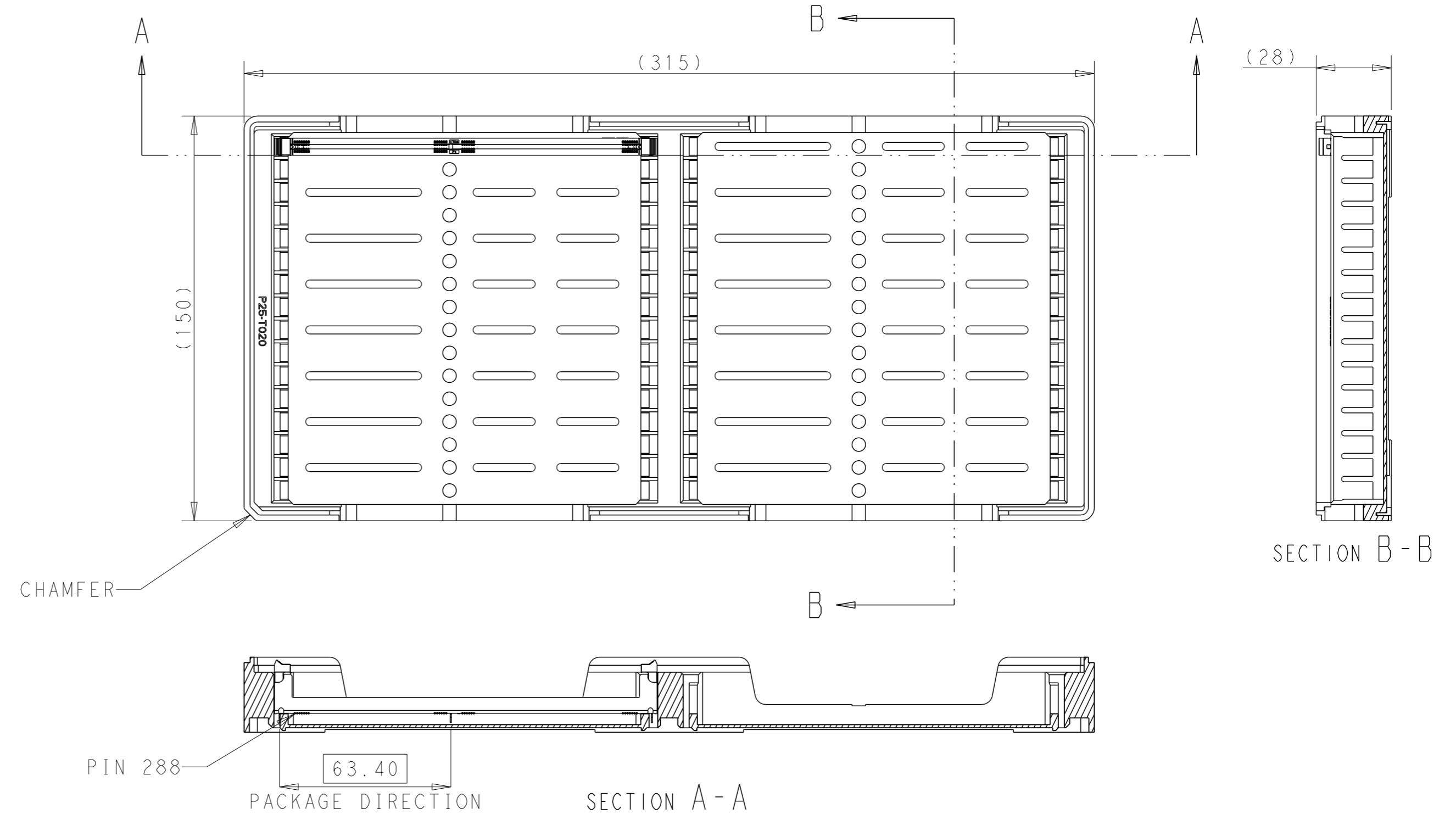
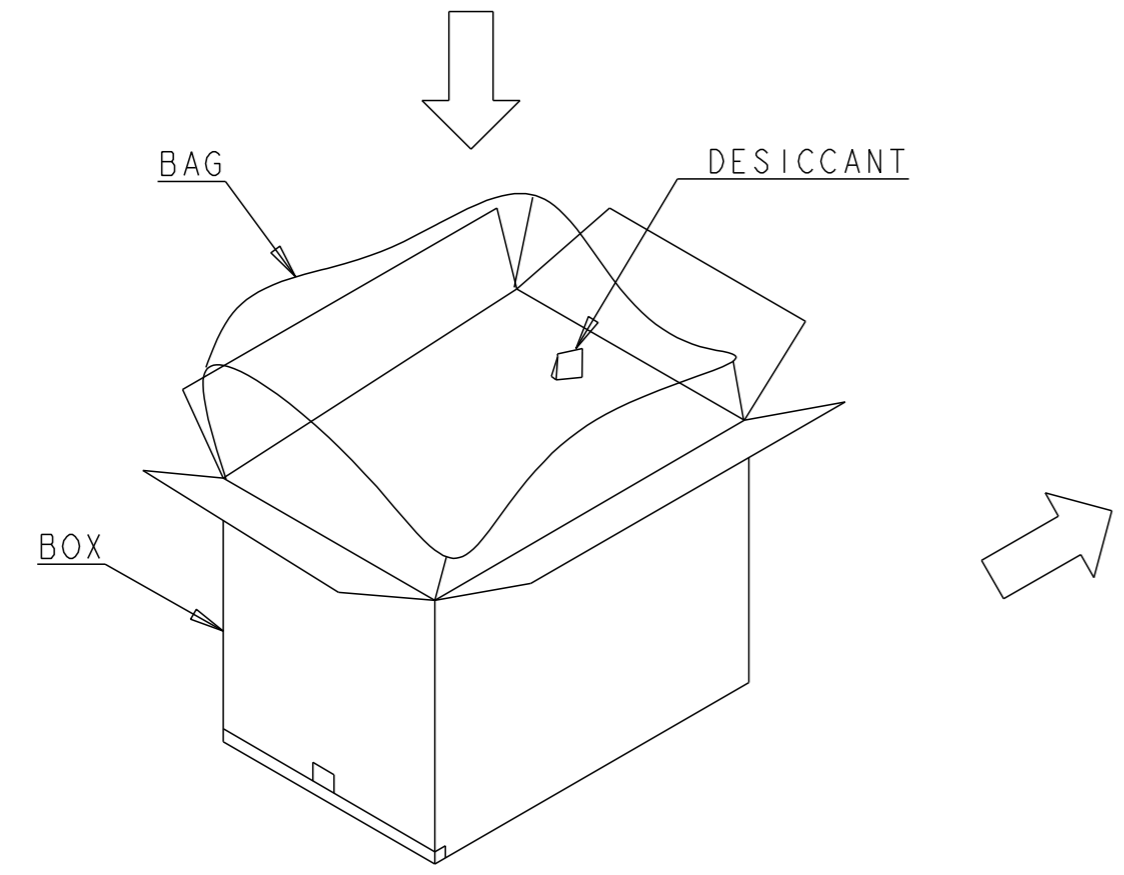
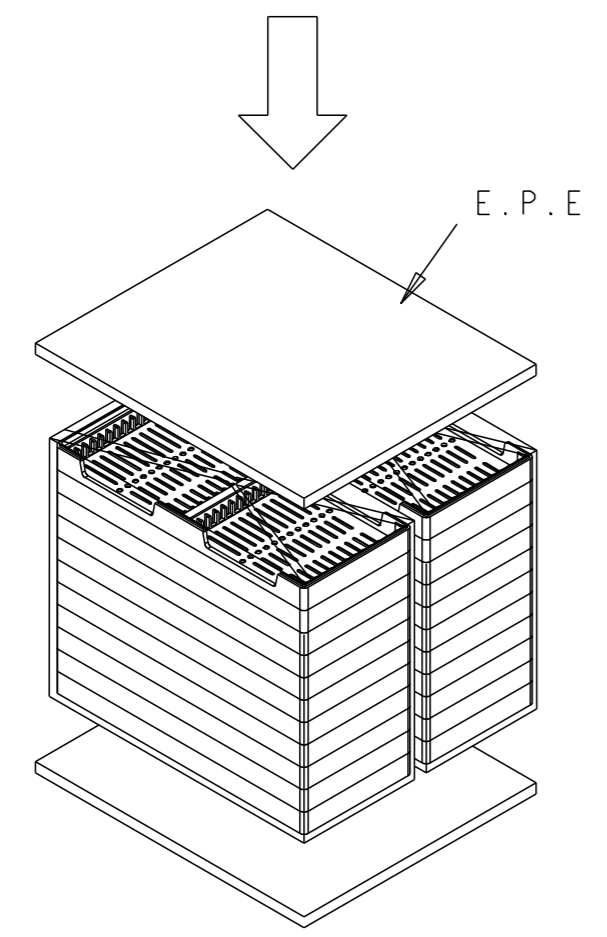
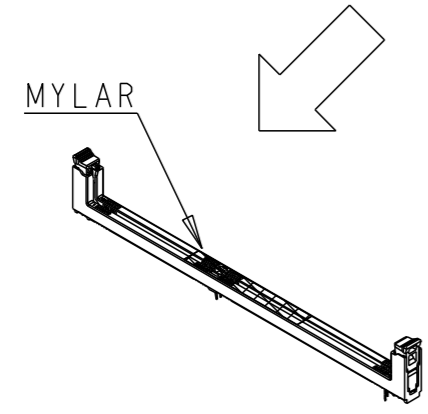
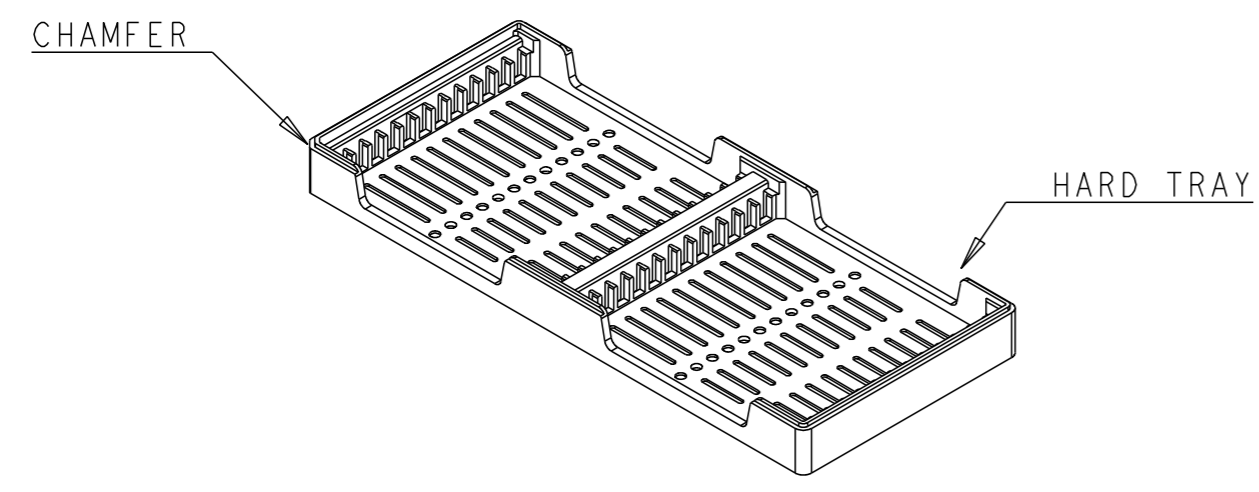
- MATERIALS :
 TRAY: HIPS, COLOR: BLACK
 BOX: CORRUGATED FIBERBOARD
 TRANSPARENT BAG: PE
- DIMENSIONS:
 TRAY: L=310;W=134;H=26
 BOX: L=340;W=300;H=310
- QUANTITY:
 24 PCS/TRAY
 480 PCS/BOX
- WEIGHT:
 NET WEIGHT: 2.6KG
 GROSS WEIGHT: 5.8KG

| | | | | | | | | | | | | | | | | | | |
|---|-------|---------------------------------|--|----------------------|-------|-------|-------|-------|-------|-------|---|--------|---|--------|---|----------------------------|-----------------|-------------------------|
| THIS DRAWING IS A CONTROLLED DOCUMENT. | | DWN RICHARD MA 17JAN2014 | | | | | | | | | | | | | | | | |
| DIMENSIONS: mm | | CHK SIMON LI 17JAN2014 | | | | | | | | | | | | | | | | |
| TOLERANCES UNLESS OTHERWISE SPECIFIED: | | APVD COREI WANG 17JAN2014 | NAME SOCKET ASSEMBLY DDR4 DIMM, SMT TYPE GENERAL 288 POSITION | | | | | | | | | | | | | | | |
| <table border="1"> <tr><td>0 PLC</td><td>±</td></tr> <tr><td>1 PLC</td><td>±0.25</td></tr> <tr><td>2 PLC</td><td>±0.15</td></tr> <tr><td>3 PLC</td><td>±0.10</td></tr> <tr><td>4 PLC</td><td>±</td></tr> <tr><td>ANGLES</td><td>±</td></tr> <tr><td>FINISH</td><td>±</td></tr> </table> | | 0 PLC | ± | 1 PLC | ±0.25 | 2 PLC | ±0.15 | 3 PLC | ±0.10 | 4 PLC | ± | ANGLES | ± | FINISH | ± | PRODUCT SPEC 108-115068 | SIZE A200779 | DRAWING NO C-2199155 |
| 0 PLC | ± | | | | | | | | | | | | | | | | | |
| 1 PLC | ±0.25 | | | | | | | | | | | | | | | | | |
| 2 PLC | ±0.15 | | | | | | | | | | | | | | | | | |
| 3 PLC | ±0.10 | | | | | | | | | | | | | | | | | |
| 4 PLC | ± | | | | | | | | | | | | | | | | | |
| ANGLES | ± | | | | | | | | | | | | | | | | | |
| FINISH | ± | | | | | | | | | | | | | | | | | |
| MATERIAL | | APPLICATION SPEC | CAGE CODE | RESTRICTED TO | | | | | | | | | | | | | | |
| | | WEIGHT | SCALE 1:1 | SHEET 9 OF 14 REV B2 | | | | | | | | | | | | | | |
| | | RESTRICTED CUSTOMER | | | | | | | | | | | | | | | | |

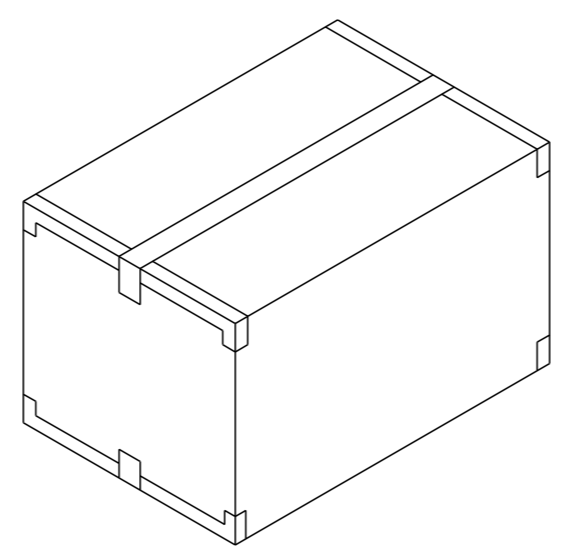
Printed on 4 Jan 2021 12:09 from F6086959

THIS DRAWING IS UNPUBLISHED. RELEASED FOR PUBLICATION 20
 © COPYRIGHT 20 TE CONNECTIVITY ALL RIGHTS RESERVED.

| LOC | | DIST | | REVISIONS | | | |
|-----|-----|-------------|------|-----------|------|--|--|
| P | LTR | DESCRIPTION | DATE | DWN | APVD | | |
| - | - | | | | | | |



HARD TRAY TYPE II

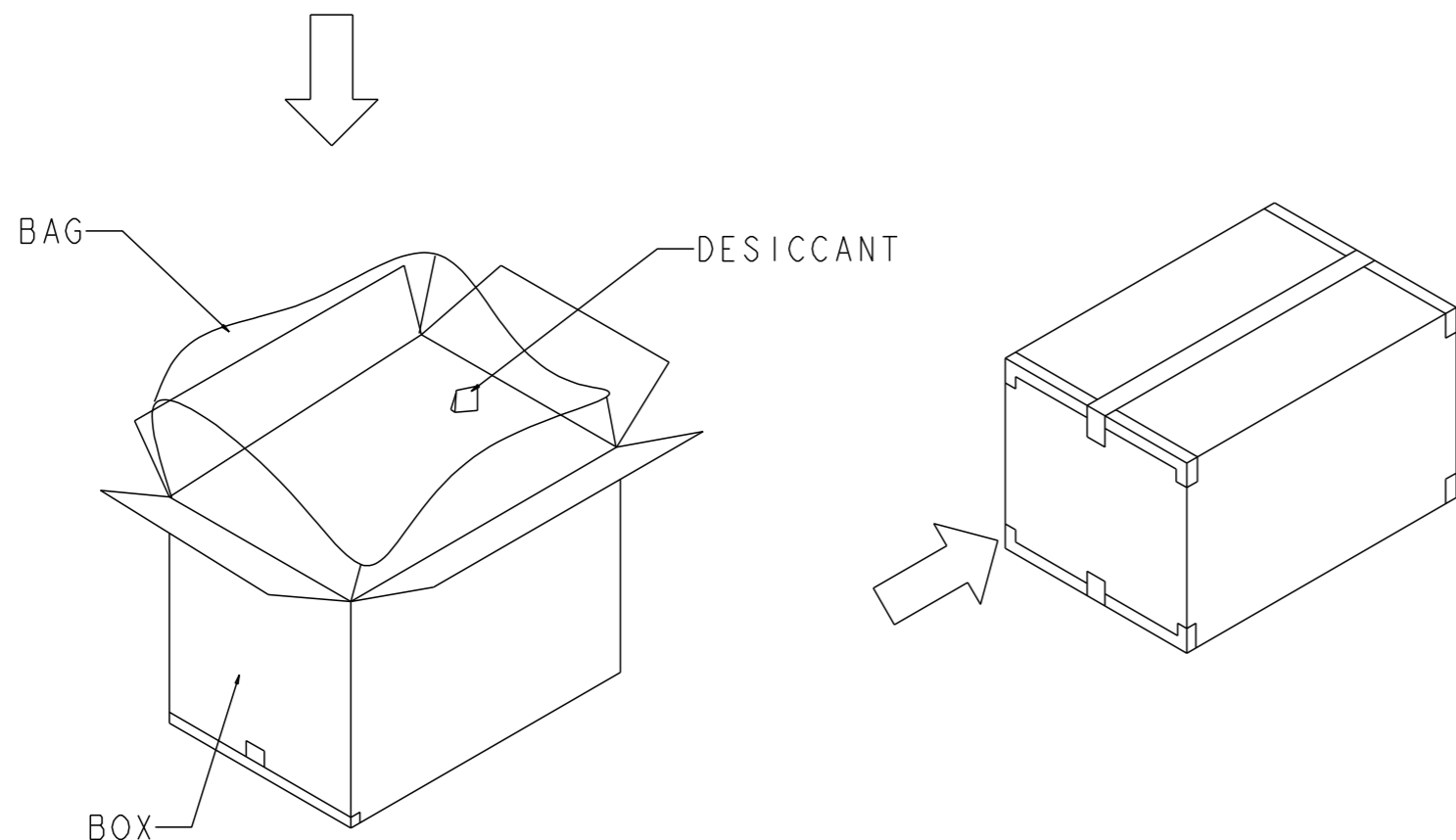
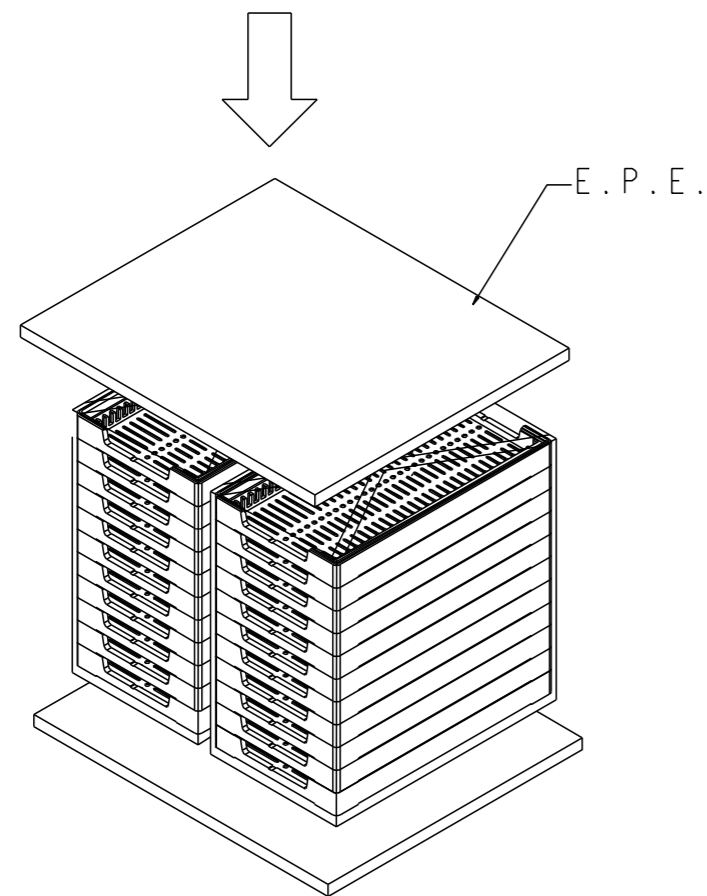
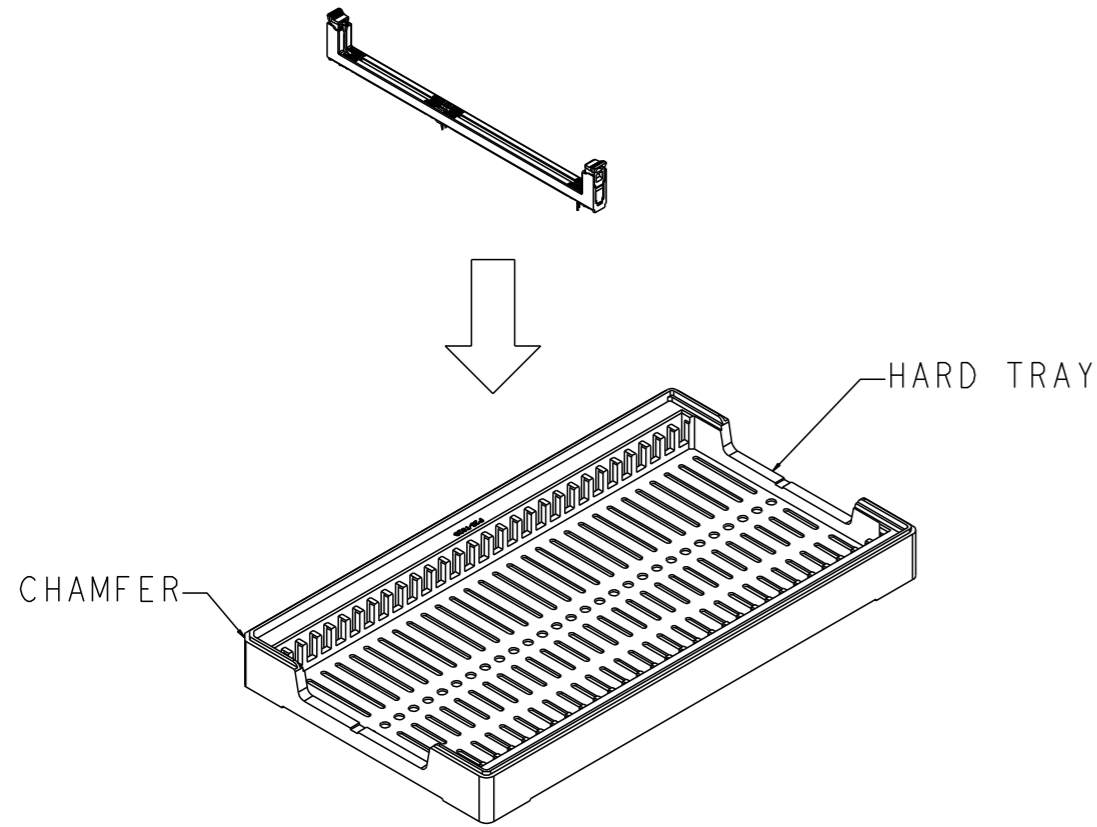


- MATERIALS :
 TRAY: HIPS, COLOR: BLACK
 BOX: CORRUGATED FIBERBOARD
 TRANSPARENT BAG: PE
- DIMENSIONS:
 TRAY: L=315;W=150;H=28;PITCH=8.5
 BOX: L=330;W=320;H=335
- QUANTITY:
 32 PCS/TRAY
 640 PCS/BOX

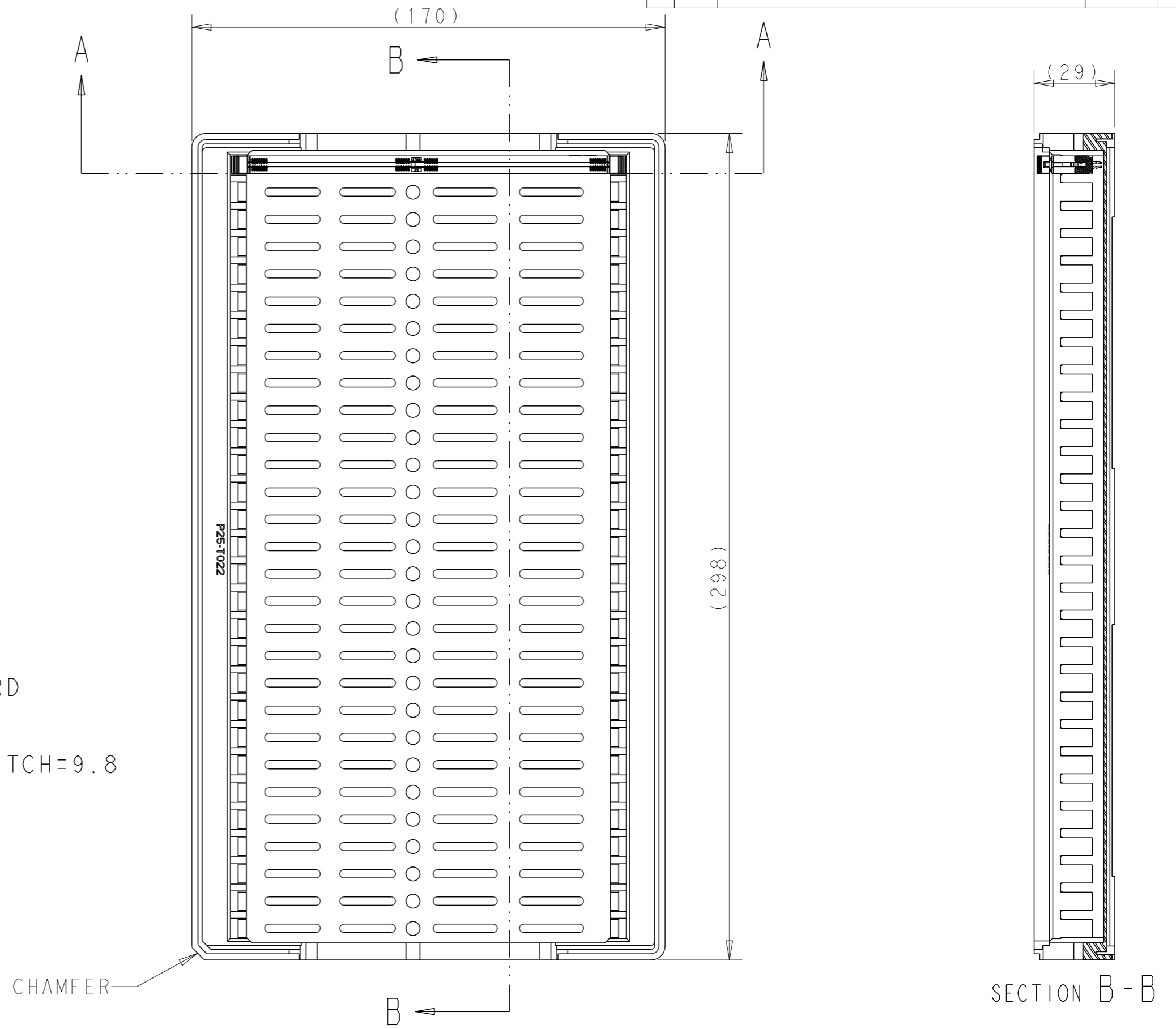
| | | | | | | | | | | | | | | |
|---|-------|---------------------------------|--|-------|-------|-------|-------|-------|-------|-------|---|----------------------------|-----------------|--|
| THIS DRAWING IS A CONTROLLED DOCUMENT. | | DWN RICHARD MA 17JAN2014 | | | | | | | | | | | | |
| DIMENSIONS: mm | | CHK SIMON LI 17JAN2014 | | | | | | | | | | | | |
| TOLERANCES UNLESS OTHERWISE SPECIFIED: | | APVD COREL WANG 17JAN2014 | NAME SOCKET ASSEMBLY DDR4 DIMM, SMT TYPE GENERAL 288 POSITION | | | | | | | | | | | |
| <table border="1"> <tr><td>0 PLC</td><td>±</td></tr> <tr><td>1 PLC</td><td>±0.25</td></tr> <tr><td>2 PLC</td><td>±0.15</td></tr> <tr><td>3 PLC</td><td>±0.10</td></tr> <tr><td>4 PLC</td><td>±</td></tr> </table> | | 0 PLC | ± | 1 PLC | ±0.25 | 2 PLC | ±0.15 | 3 PLC | ±0.10 | 4 PLC | ± | PRODUCT SPEC 108-115068 | SIZE A200779 | |
| 0 PLC | ± | | | | | | | | | | | | | |
| 1 PLC | ±0.25 | | | | | | | | | | | | | |
| 2 PLC | ±0.15 | | | | | | | | | | | | | |
| 3 PLC | ±0.10 | | | | | | | | | | | | | |
| 4 PLC | ± | | | | | | | | | | | | | |
| MATERIAL | | APPLICATION SPEC | DRAWING NO C-2199155 | | | | | | | | | | | |
| | | WEIGHT | RESTRICTED TO | | | | | | | | | | | |
| | | RESTRICTED CUSTOMER | SCALE 1:1 SHEET 10 OF 14 REV B2 | | | | | | | | | | | |

Printed on 4 Jan 2021 12:09 from F6086959

| LOC | | DIST | | REVISIONS | | | |
|-----|-----|-------------|------|-----------|------|--|--|
| P | LTR | DESCRIPTION | DATE | DWN | APVD | | |
| - | - | | | | | | |



- MATERIALS :
 TRAY: HIPS, COLOR: BLACK
 BOX: CORRUGATED FIBERBOARD
 TRANSPARENT BAG: PE
- DIMENSIONS:
 TRAY: L=298;W=170;H=29;PITCH=9.8
 BOX: L=355;W=315;H=350
- QUANTITY:
 29 PCS/TRAY
 580 PCS/BOX



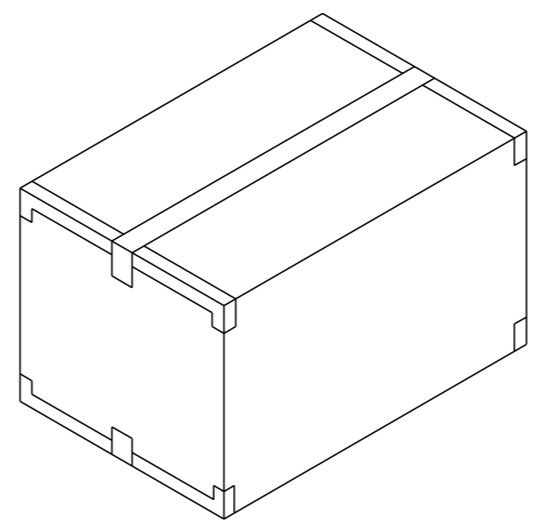
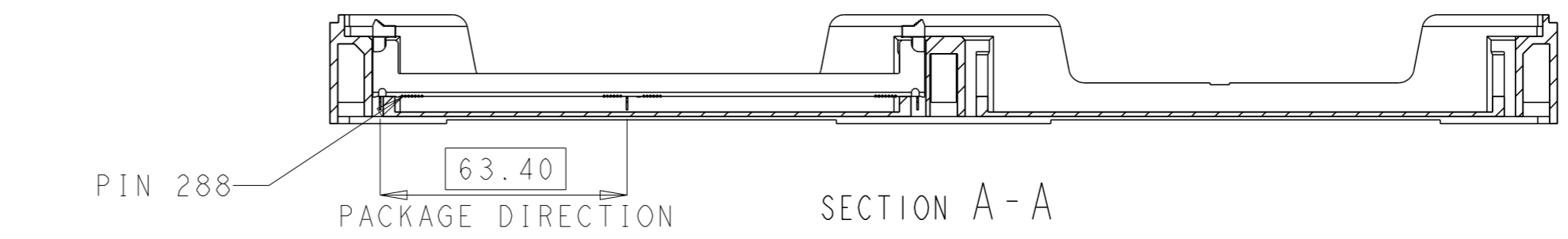
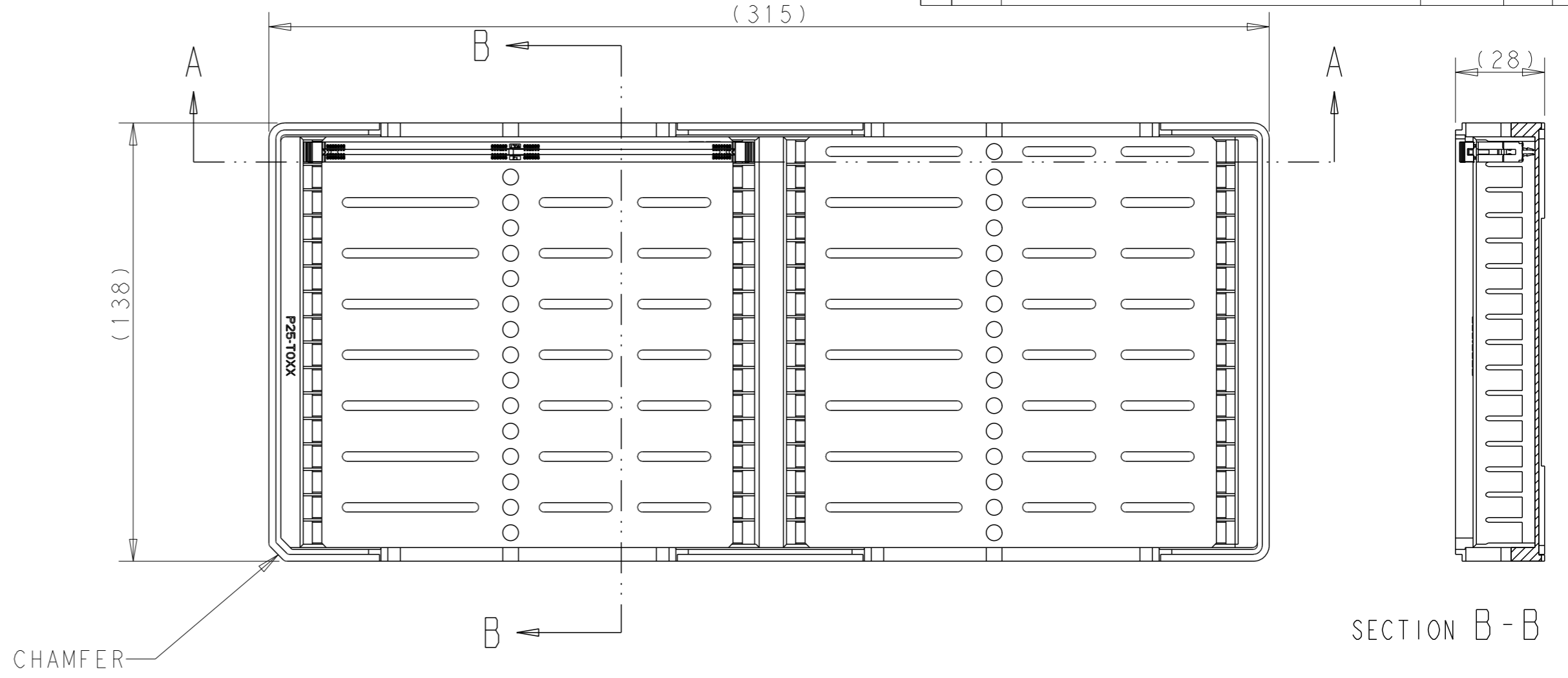
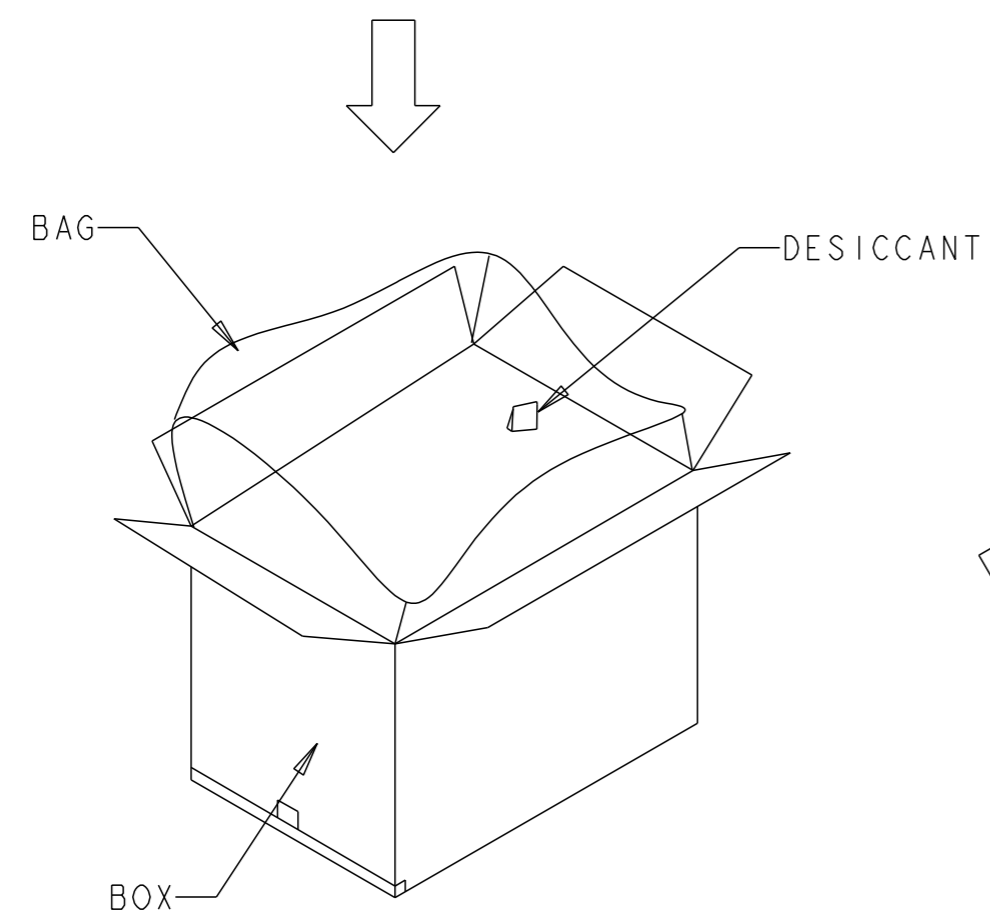
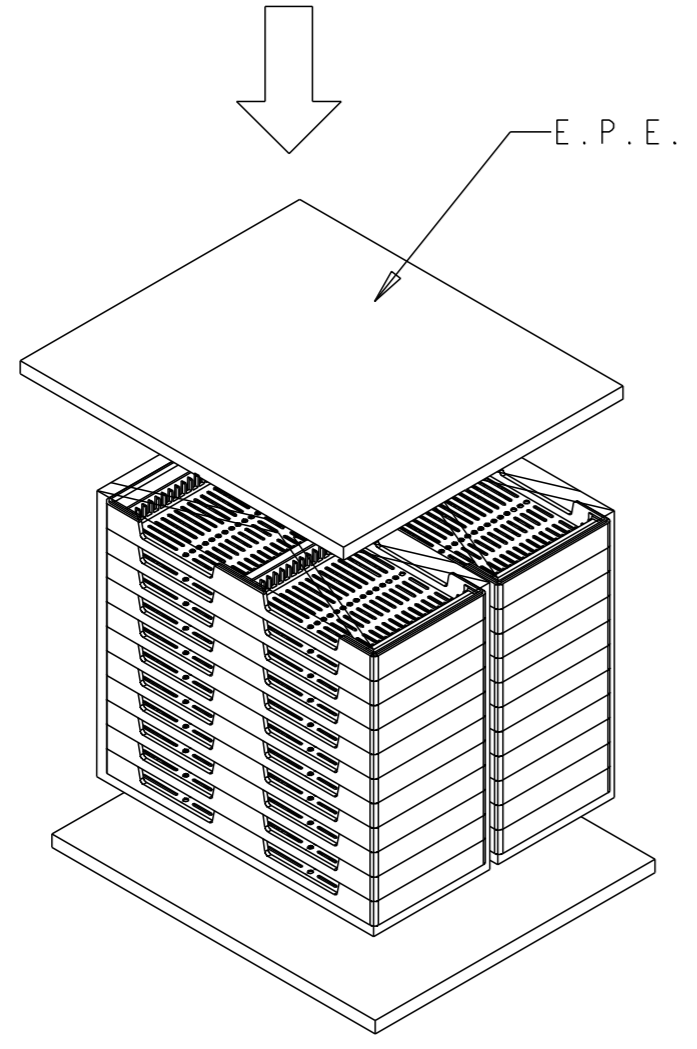
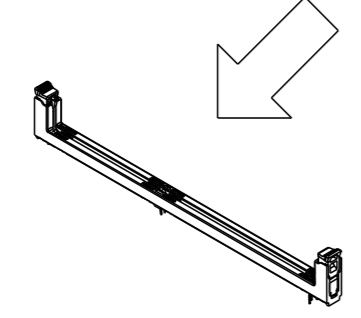
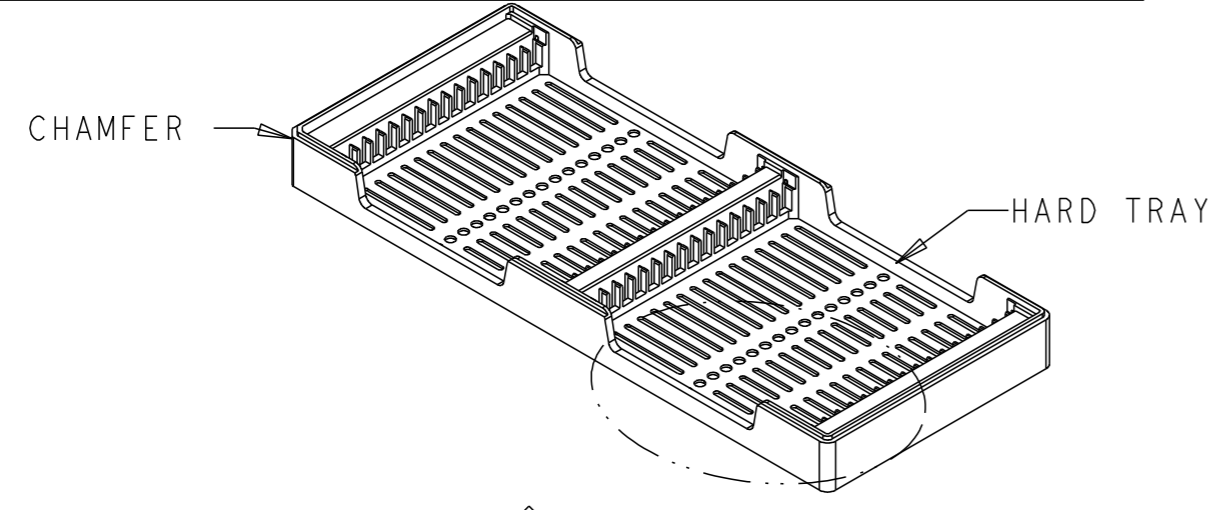
HARD TRAY TYPE III

| | | | | |
|--|--|---------------------------|-----------------------------|-----------------|
| THIS DRAWING IS A CONTROLLED DOCUMENT. | | DWN RICHARD MA 17JAN2014 | STE TE Connectivity | |
| | | CHK SIMON LI 17JAN2014 | | |
| DIMENSIONS: mm | | APVD COREL WANG 17JAN2014 | NAME SOCKET ASSEMBLY | |
| TOLERANCES UNLESS OTHERWISE SPECIFIED: | | PRODUCT SPEC 108-115068 | DDR4 DIMM, SMT TYPE GENERAL | |
| 0 PLC ± | | APPLICATION SPEC | 288 POSITION | |
| 1 PLC ±0.25 | | WEIGHT - | SIZE A2 | CAGE CODE 00779 |
| 2 PLC ±0.15 | | RESTRICTED CUSTOMER | DRAWING NO C-2199155 | RESTRICTED TO |
| 3 PLC ±0.10 | | | SCALE 1:1 | SHEET 11 OF 14 |
| 4 PLC ± | | | | REV B2 |
| ANGLES ± | | | | |
| FINISH | | | | |

Printed on 4 Jan 2021 12:09 from F6086959

THIS DRAWING IS UNPUBLISHED. RELEASED FOR PUBLICATION 20
 © COPYRIGHT 20 TE CONNECTIVITY ALL RIGHTS RESERVED.

| LOC | | DIST | | REVISIONS | | | |
|-----|-----|-------------|------|-----------|------|--|--|
| P | LTR | DESCRIPTION | DATE | DWN | APVD | | |
| - | - | | | | | | |



- MATERIALS :
 TRAY: HIPS, COLOR: BLACK
 BOX: CORRUGATED FIBERBOARD
 TRANSPARENT BAG: PE
- DIMENSIONS:
 TRAY: L=315;W=138;H=28;PITCH=8.0
 BOX: L=330;W=295;H=335
- QUANTITY:
 32 PCS/TRAY
 640 PCS/BOX

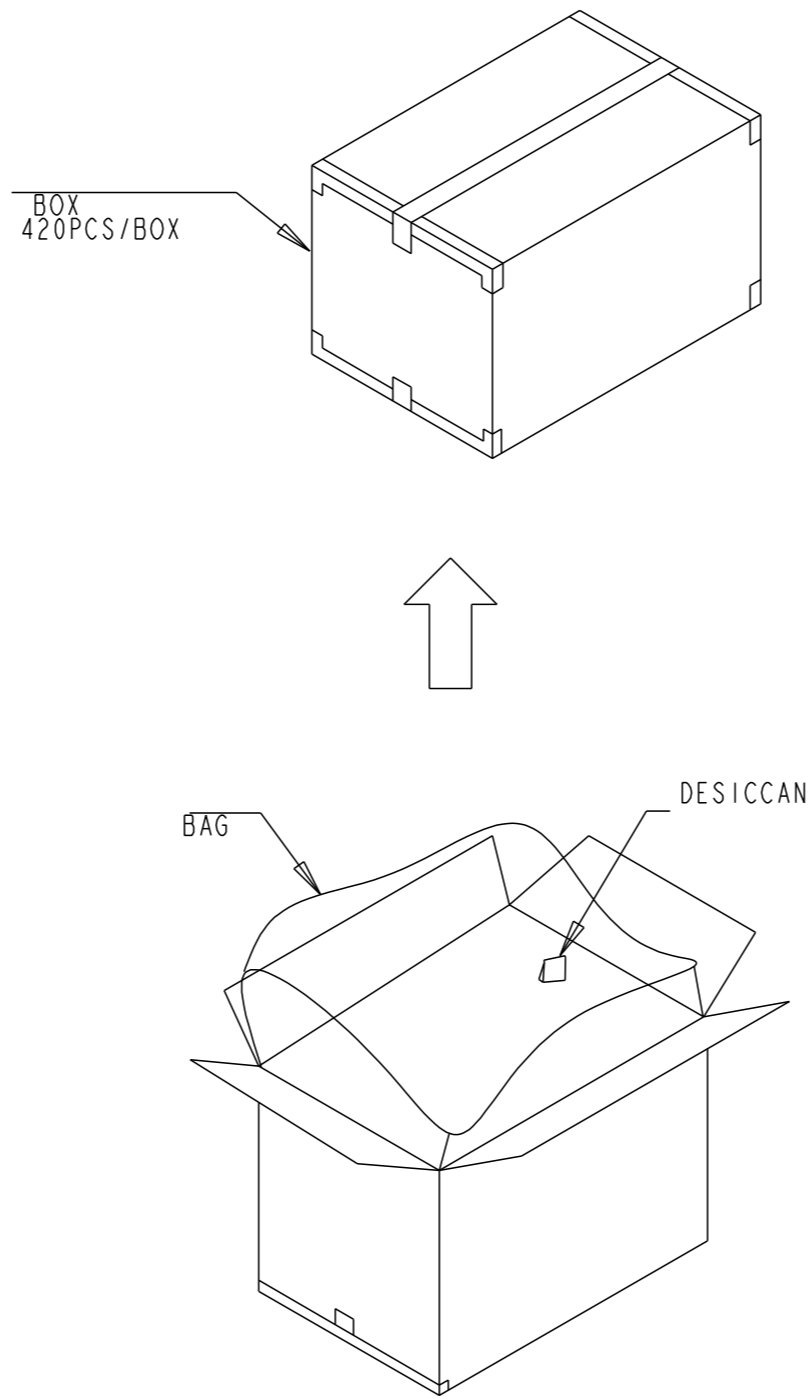
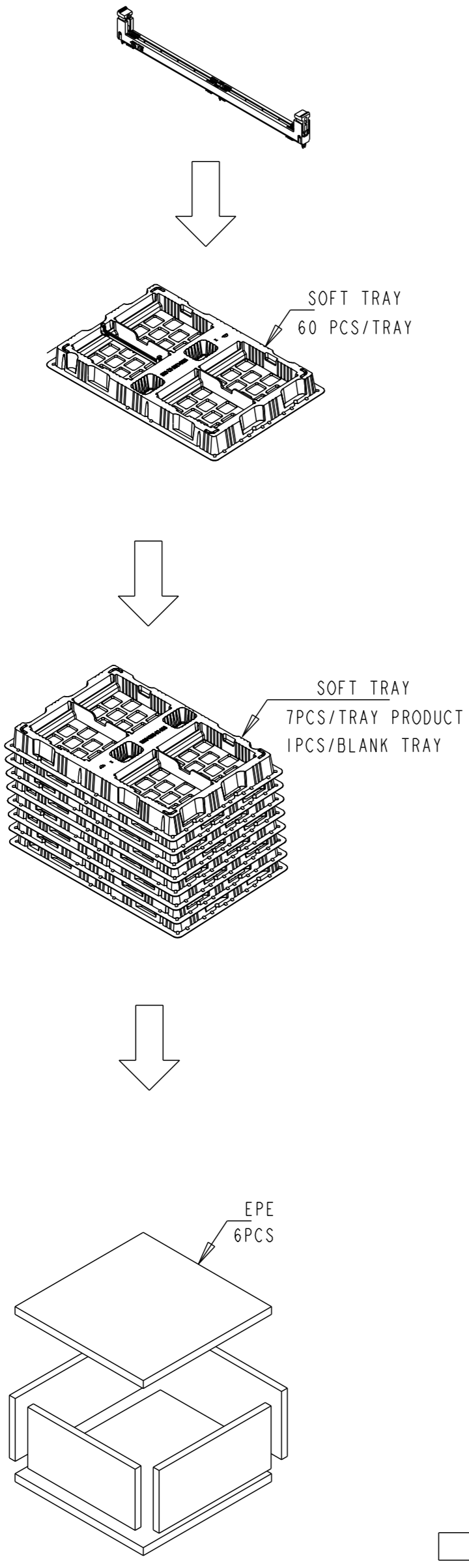
HARD TRAY TYPE IV

| | | | | |
|---|--|---------------------------------|--|--------------------|
| THIS DRAWING IS A CONTROLLED DOCUMENT. | | DWN RICHARD MA 17JAN2014 | TE Connectivity | |
| DIMENSIONS: mm | | CHK SIMON LI 17JAN2014 | | |
| TOLERANCES UNLESS OTHERWISE SPECIFIED: | | APVD COREL WANG 17JAN2014 | NAME SOCKET ASSEMBLY DDR4 DIMM, SMT TYPE GENERAL 288 POSITION | |
| 0 PLC ± 1 PLC ±0.25 2 PLC ±0.15 3 PLC ±0.10 4 PLC ± ANGLES ± FINISH ± | | PRODUCT SPEC 108-115068 | SIZE A2 | CAGE CODE 00779 |
| MATERIAL | | APPLICATION SPEC | DRAWING NO C-2199155 | RESTRICTED TO |
| | | WEIGHT | SCALE 1:1 SHEET 12 OF 14 REV B2 | |
| | | RESTRICTED CUSTOMER | | |

Printed on 4 Jan 2021 12:09 from F6086959

THIS DRAWING IS UNPUBLISHED. RELEASED FOR PUBLICATION 20
 © COPYRIGHT 20 TE CONNECTIVITY ALL RIGHTS RESERVED.

| LOC | | DIST | | REVISIONS | | | |
|-----|-----|-------------|------|-----------|------|--|--|
| P | LTR | DESCRIPTION | DATE | DWN | APVD | | |
| - | - | | | | | | |



- MATERIALS :
 TRAY: PVC, COLOR: TRANSPARENT
 BOX: CORRUGATED FIBERBOARD
 TRANSPARENT BAG: PE
- DIMENSIONS:
 TRAY: L=410;W=270;H=36.3;
 BOX: L=460;W=320;H=290
- QUANTITY:
 60 PCS/TRAY
 420 PCS/BOX

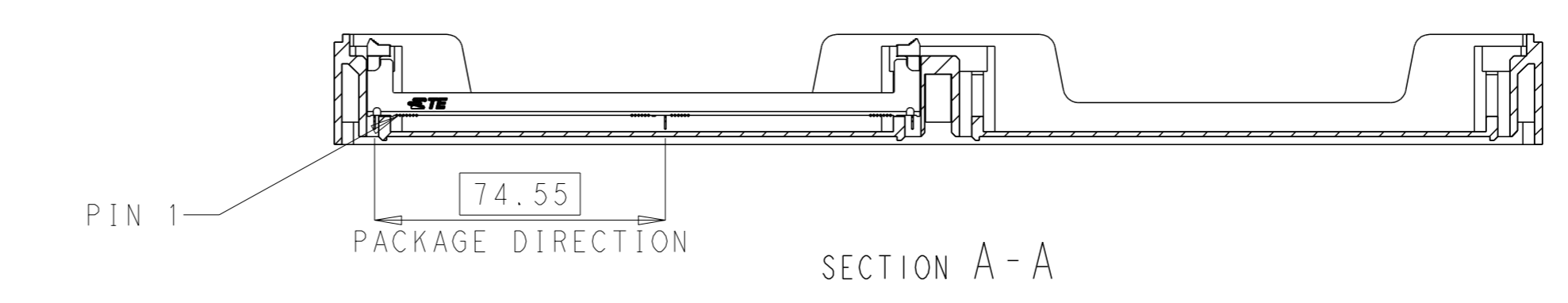
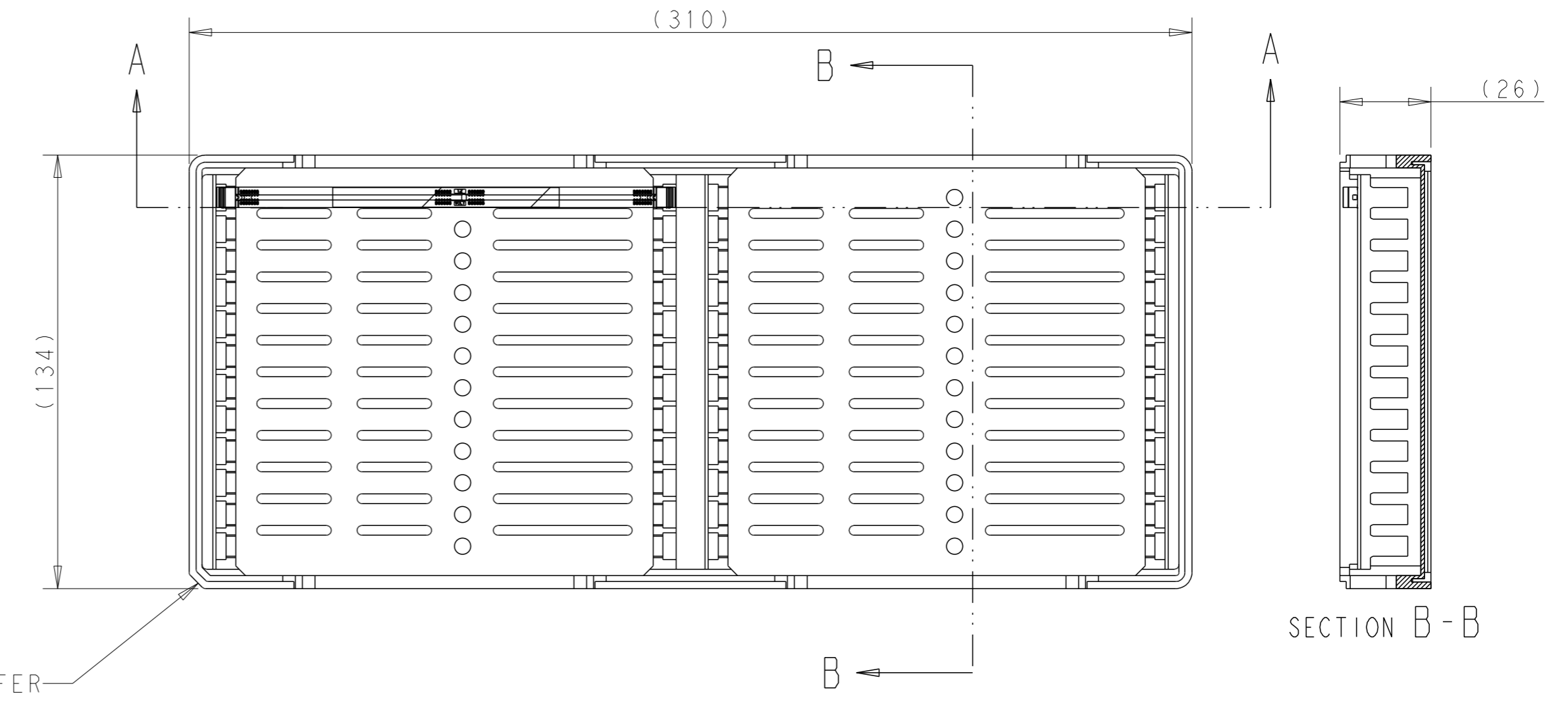
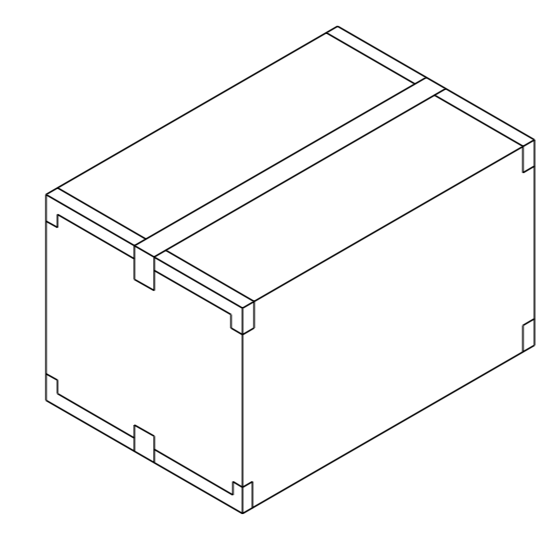
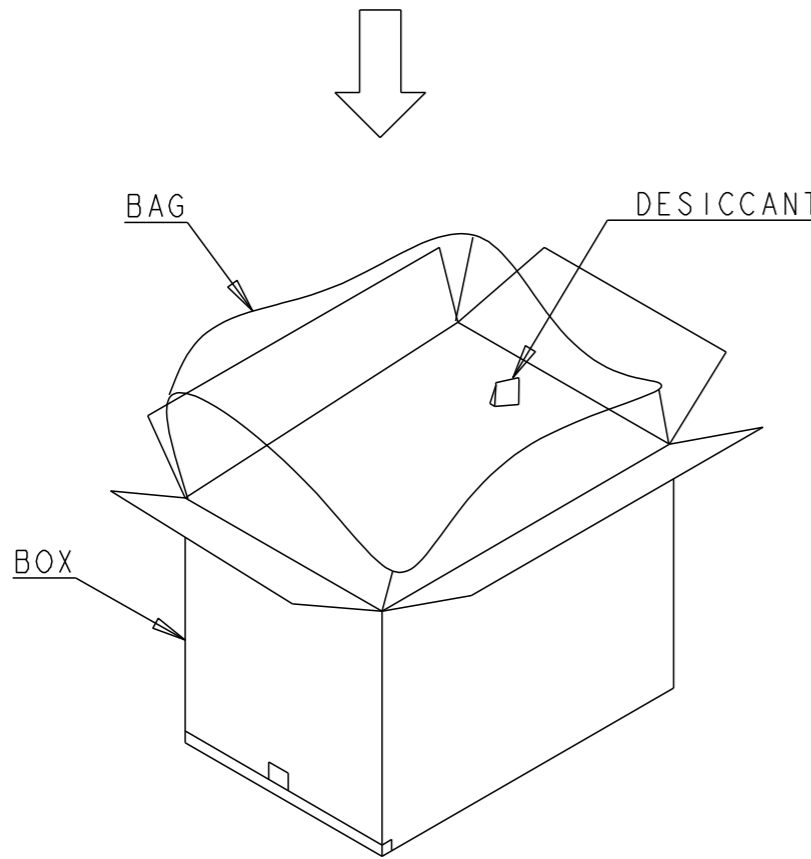
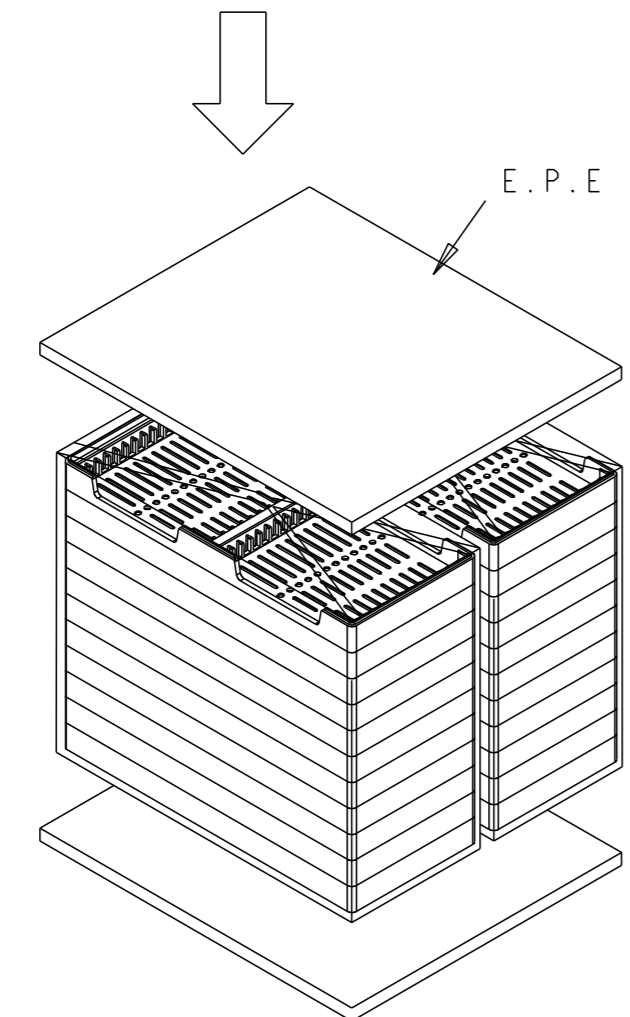
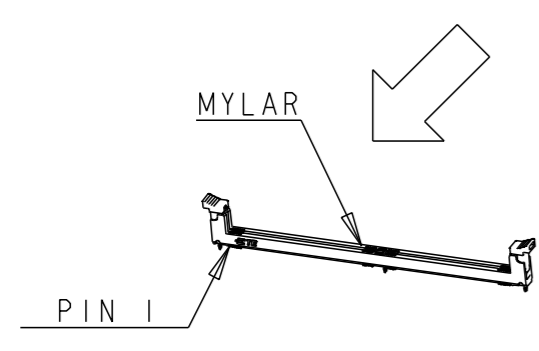
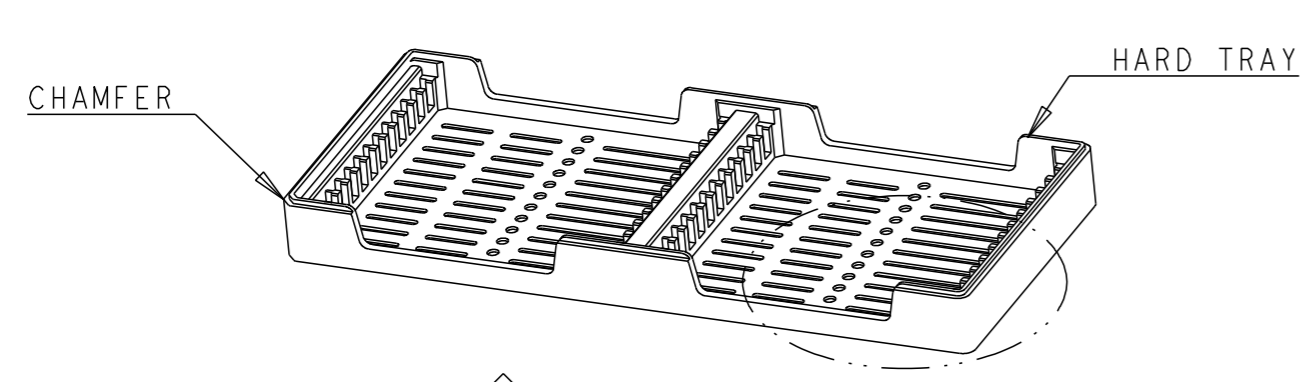
SOFT TRAY TYPE V

| | | | | |
|---|--|---------------------------------|--|---------------------------------|
| THIS DRAWING IS A CONTROLLED DOCUMENT. | | DWN RICHARD MA 17JAN2014 | STE TE Connectivity | |
| DIMENSIONS: mm | | CHK SIMON LI 17JAN2014 | | |
| TOLERANCES UNLESS OTHERWISE SPECIFIED: 0 PLC ± 1 PLC ±0.25 2 PLC ±0.15 3 PLC ±0.10 4 PLC ± | | APVD COREI WANG 17JAN2014 | NAME SOCKET ASSEMBLY DDR4 DIMM, SMT TYPE GENERAL 288 POSITION | |
| MATERIAL | | PRODUCT SPEC 108-115068 | SIZE A200779 | CAGE CODE C-2199155 |
| FINISH | | WEIGHT - | DRAWING NO RESTRICTED TO | |
| | | RESTRICTED CUSTOMER | | SCALE 1:1 SHEET 13 OF 14 REV B2 |

Printed on 4 Jan 2021 12:09 from F6086959

THIS DRAWING IS UNPUBLISHED. RELEASED FOR PUBLICATION 20
 © COPYRIGHT 20 TE CONNECTIVITY ALL RIGHTS RESERVED.

| LOC | | DIST | | REVISIONS | | | |
|-----|-----|-------------|------|-----------|------|--|--|
| P | LTR | DESCRIPTION | DATE | DWN | APVD | | |
| - | - | | | | | | |



- MATERIALS :
 TRAY: HIPS, COLOR: BLACK
 BOX: CORRUGATED FIBERBOARD
 TRANSPARENT BAG: PE
- DIMENSIONS:
 TRAY: L=310;W=134;H=26
 BOX: L=340;W=300;H=310
- QUANTITY:
 24 PCS/TRAY
 480 PCS/BOX
- WEIGHT:
 NET WEIGHT: 2.6KG
 GROSS WEIGHT: 5.8KG

HARD TRAY TYPE VI

| | | | | |
|---|--|---------------------------------|--|-------------------------|
| THIS DRAWING IS A CONTROLLED DOCUMENT. | | DWN RICHARD MA 17JAN2014 | TE Connectivity | |
| | | CHK SIMON LI 17JAN2014 | | |
| DIMENSIONS: mm | | APVD COREL WANG 17JAN2014 | NAME SOCKET ASSEMBLY DDR4 DIMM, SMT TYPE GENERAL 288 POSITION | |
| TOLERANCES UNLESS OTHERWISE SPECIFIED: 0 PLC ± 1 PLC ±0.25 2 PLC ±0.15 3 PLC ±0.10 4 PLC ± ANGLES ± FINISH | | PRODUCT SPEC 108-115068 | SIZE A200779 | DRAWING NO C-2199155 |
| MATERIAL | | APPLICATION SPEC | CAGE CODE | RESTRICTED TO |
| | | WEIGHT | SCALE 1:1 | SHEET 14 OF 14 REV B2 |
| | | RESTRICTED CUSTOMER | | |

Printed on 4 Jan 2021 12:09 from F6086959

Mouser Electronics

Authorized Distributor

Click to View Pricing, Inventory, Delivery & Lifecycle Information:

[TE Connectivity:](#)

[2199155-2](#)