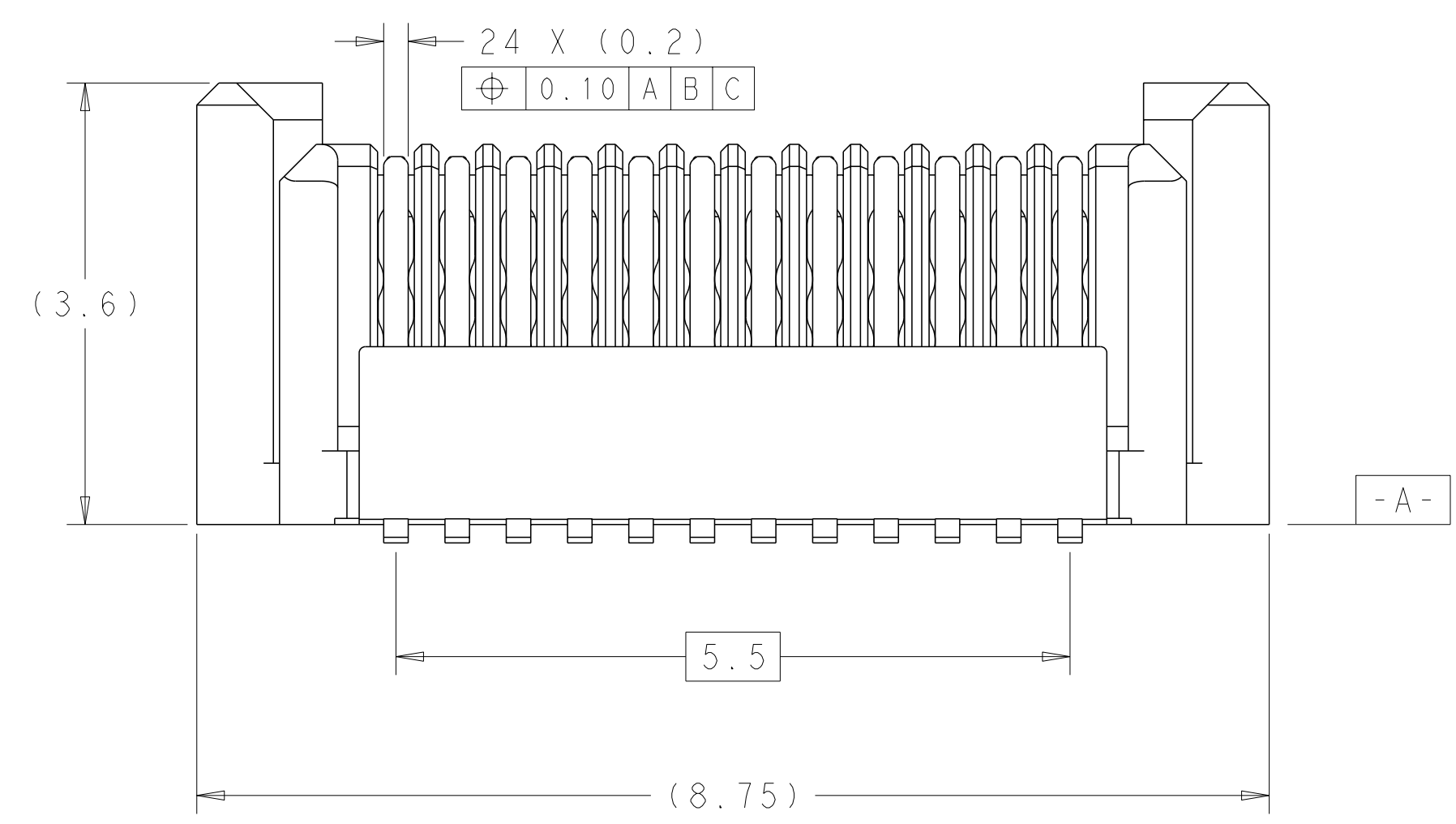
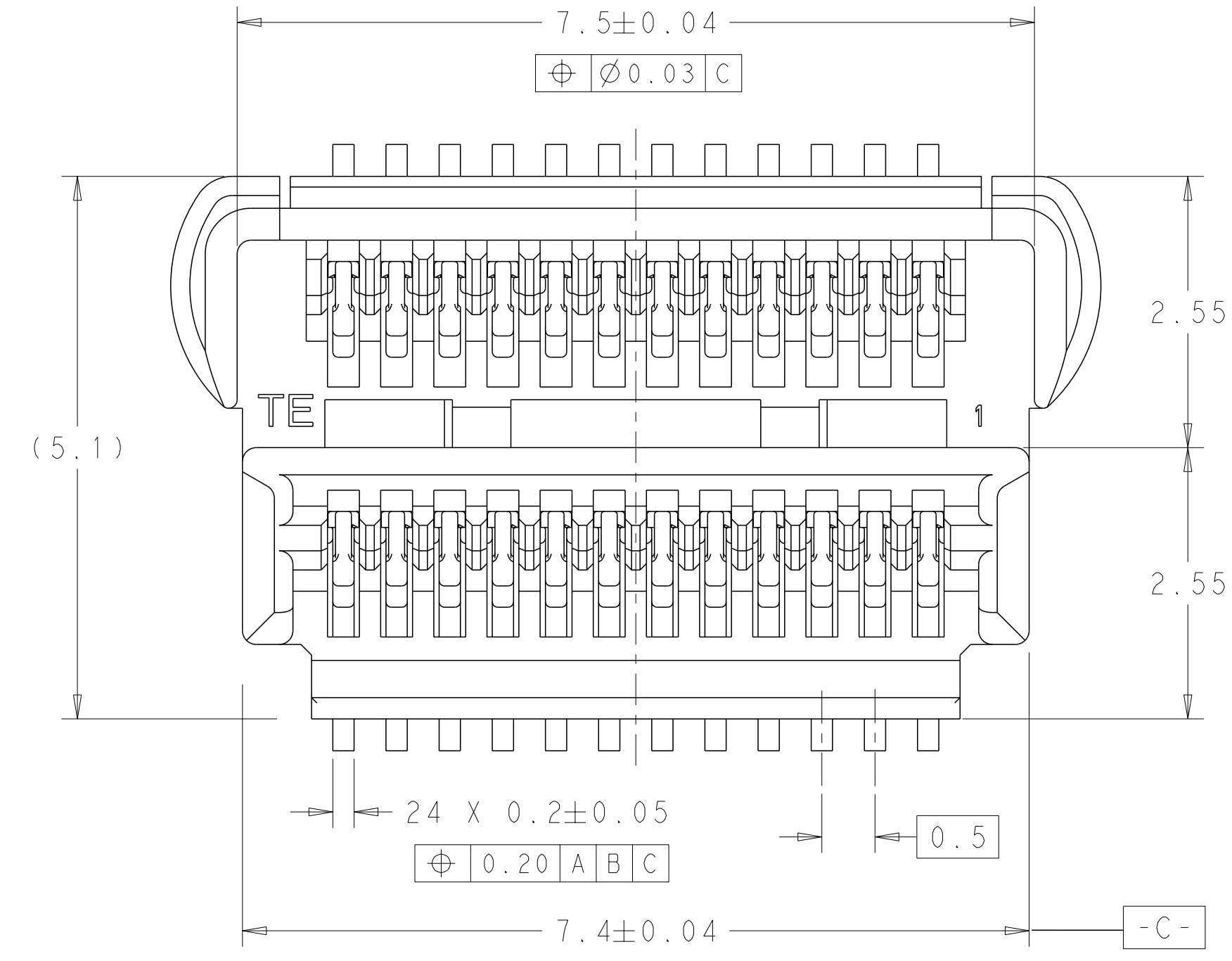


THIS DRAWING IS UNPUBLISHED. RELEASED FOR PUBLICATION 20
 © COPYRIGHT 20 ALL RIGHTS RESERVED.

LOC		DIST		REVISIONS			
P	LTR	DESCRIPTION	DATE	DWN	APVD		
	A1	REVISED PER ECR-15-008402	04JUN2015	I.T	W.H		



NOTES:

1. MATERIALS:

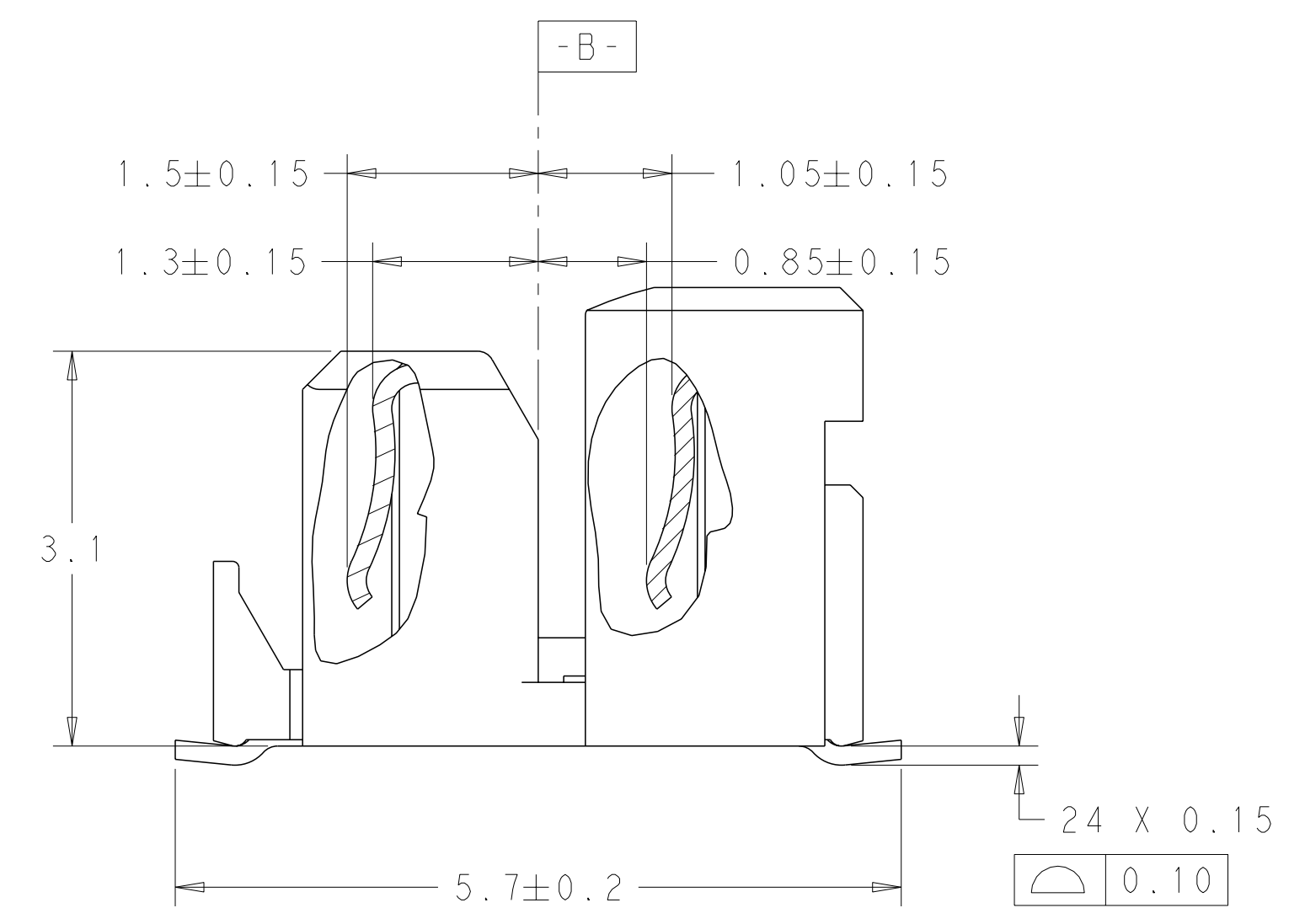
HOUSING: L.C.P (HIGH TEMP THERMO PLASTIC) UL 94V-0

CAP: L.C.P (HIGH TEMP THERMO PLASTIC) UL 94V-0

CONTACT: COPPER ALLOY

2. FINISH:

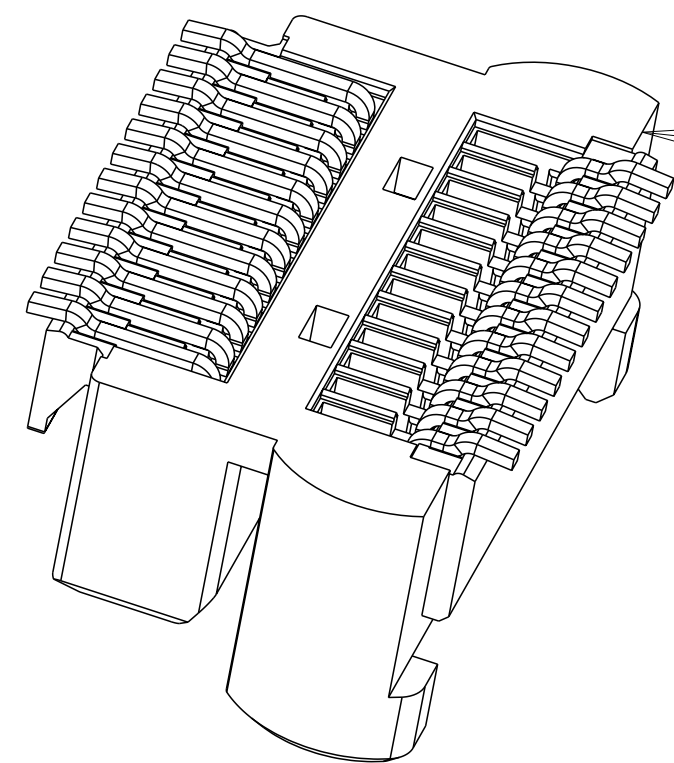
ENGAGEMENT AREA: 0.00038MM MIN GOLD
 SOLDERING AREA: 0.00005MM MIN GOLD
 UNDERCOAT: 0.00127MM MIN NICKEL ALL OVER



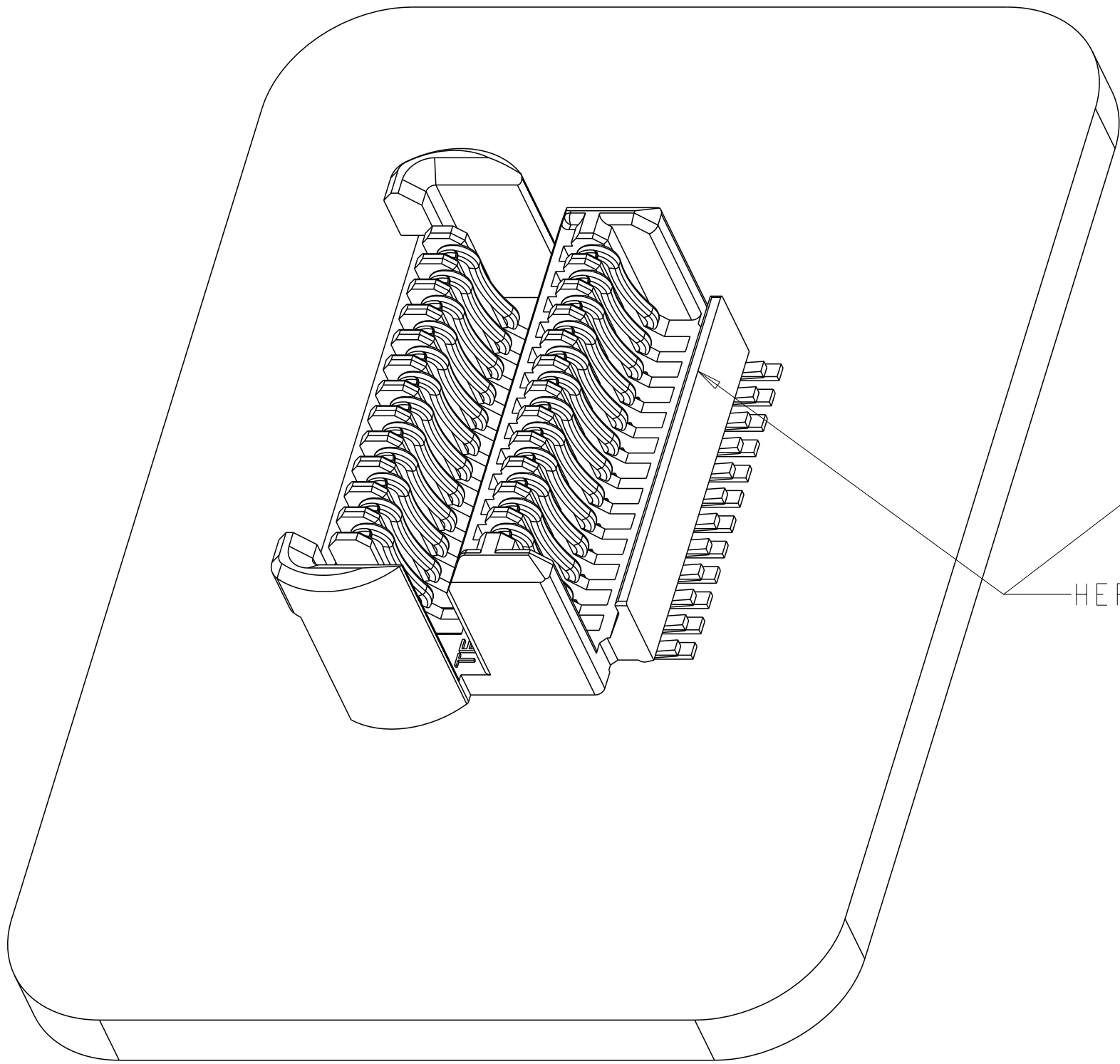
THIS DRAWING IS A CONTROLLED DOCUMENT.		DWN	29 JUL 2012	STE TE Connectivity	
DIMENSIONS: mm		CHK	29 JUL 2012		
TOLERANCES UNLESS OTHERWISE SPECIFIED:		APVD	29 JUL 2012		
0 PLC ± 1 PLC ±0.30 2 PLC ±0.10 3 PLC ± 4 PLC ± ANGLES ±1° FINISH		NAME	STEVEN YAO		
MATERIAL		PRODUCT SPEC	108-115057	NAME	0.5MM FINE STACKING BTB, 24 POS 4MM HEIGHT, EMBOSS, WITH CAP HERMAPHRODITIC TYPE CONNECTOR
SEE NOTE 1		APPLICATION SPEC	114-115008	SIZE	A2
SEE P/N TABLE		WEIGHT	0.167 G	CAGE CODE	00779
CUSTOMER DRAWING		SCALE	11:1	DRAWING NO	C-2199070
		SHEET	1	RESTRICTED TO	/
		OF	5	REV	A1

THIS DRAWING IS UNPUBLISHED. RELEASED FOR PUBLICATION 20
 © COPYRIGHT 20 ALL RIGHTS RESERVED.

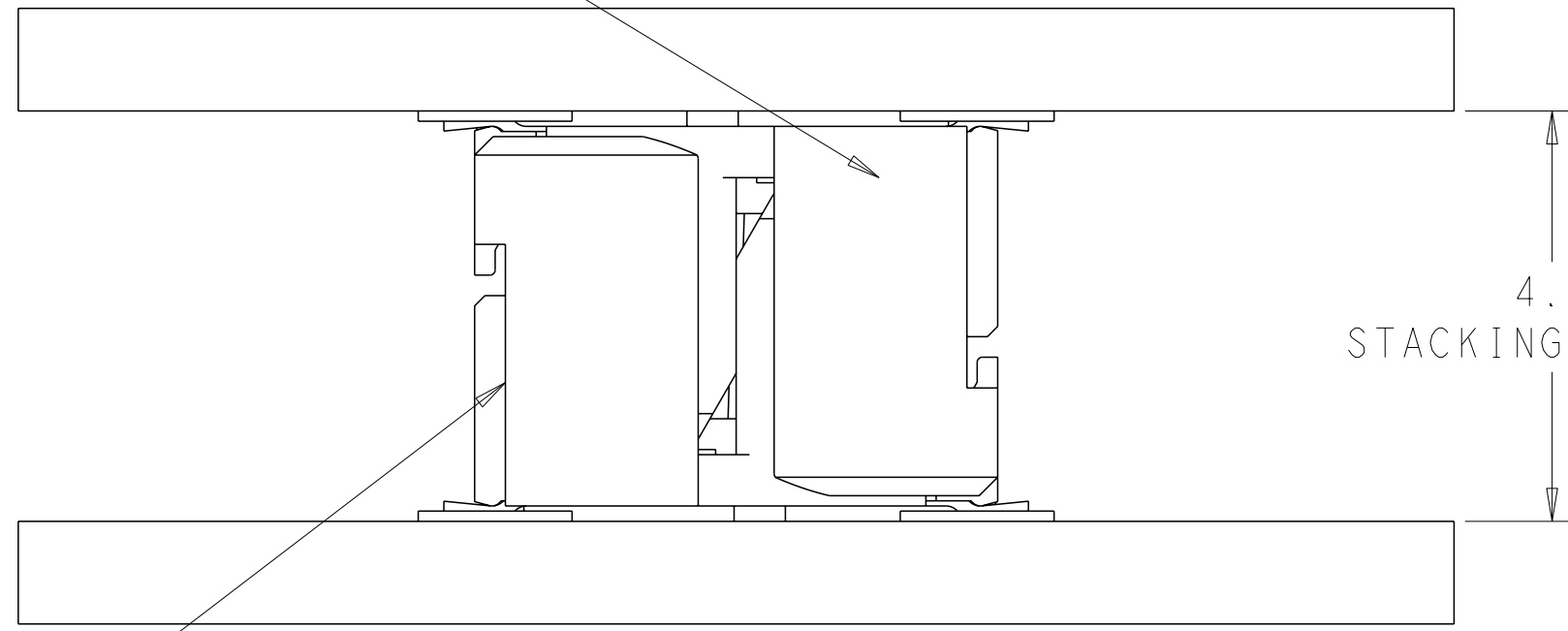
LOC		DIST		REVISIONS			
P	LTR	DESCRIPTION	DATE	DWN	APVD		
CN	-						



HERMAPHRODITIC CONNECTOR 1



HERMAPHRODITIC CONNECTOR 2



4.0
STACKING HEIGHT

MATED WITH SAME CONNECTOR

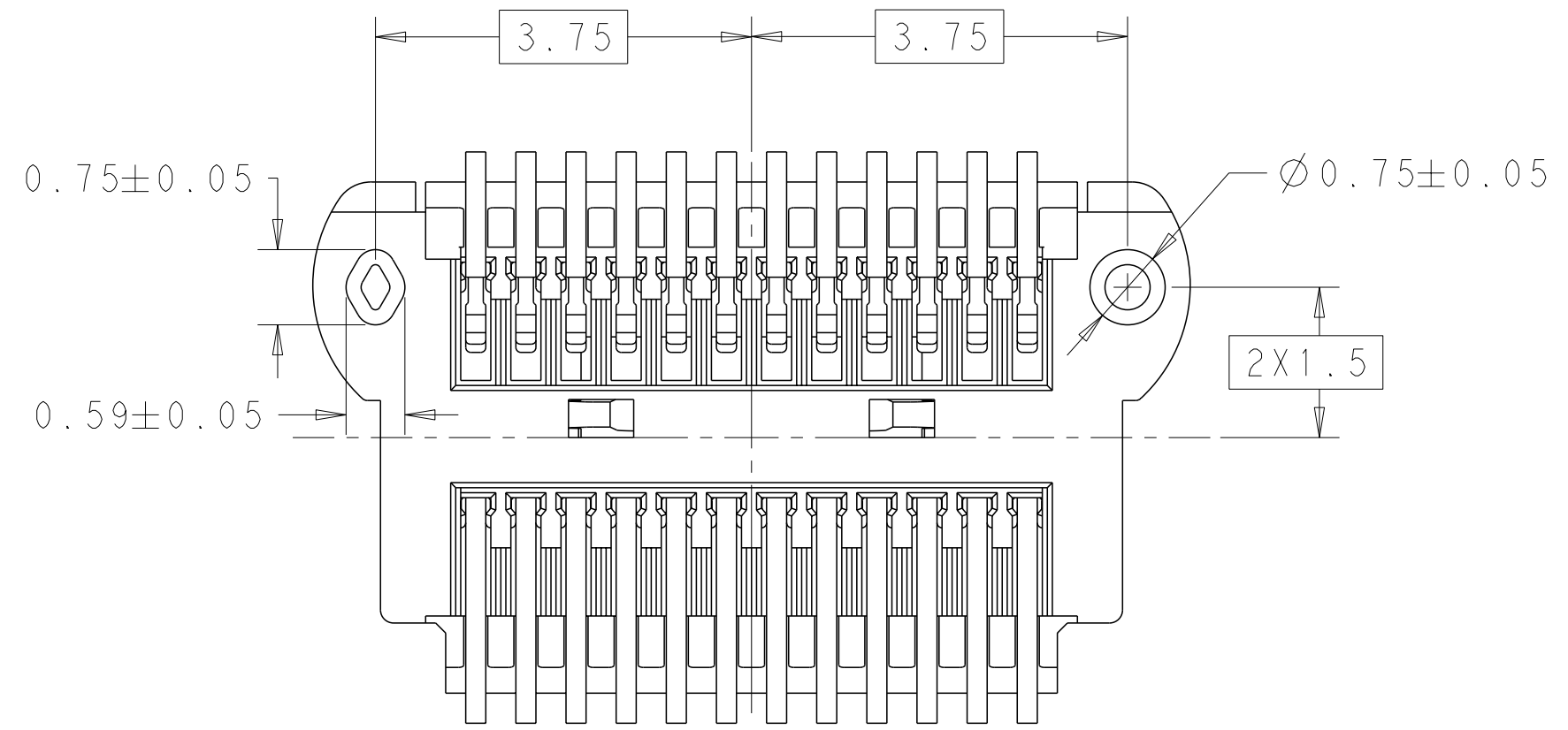
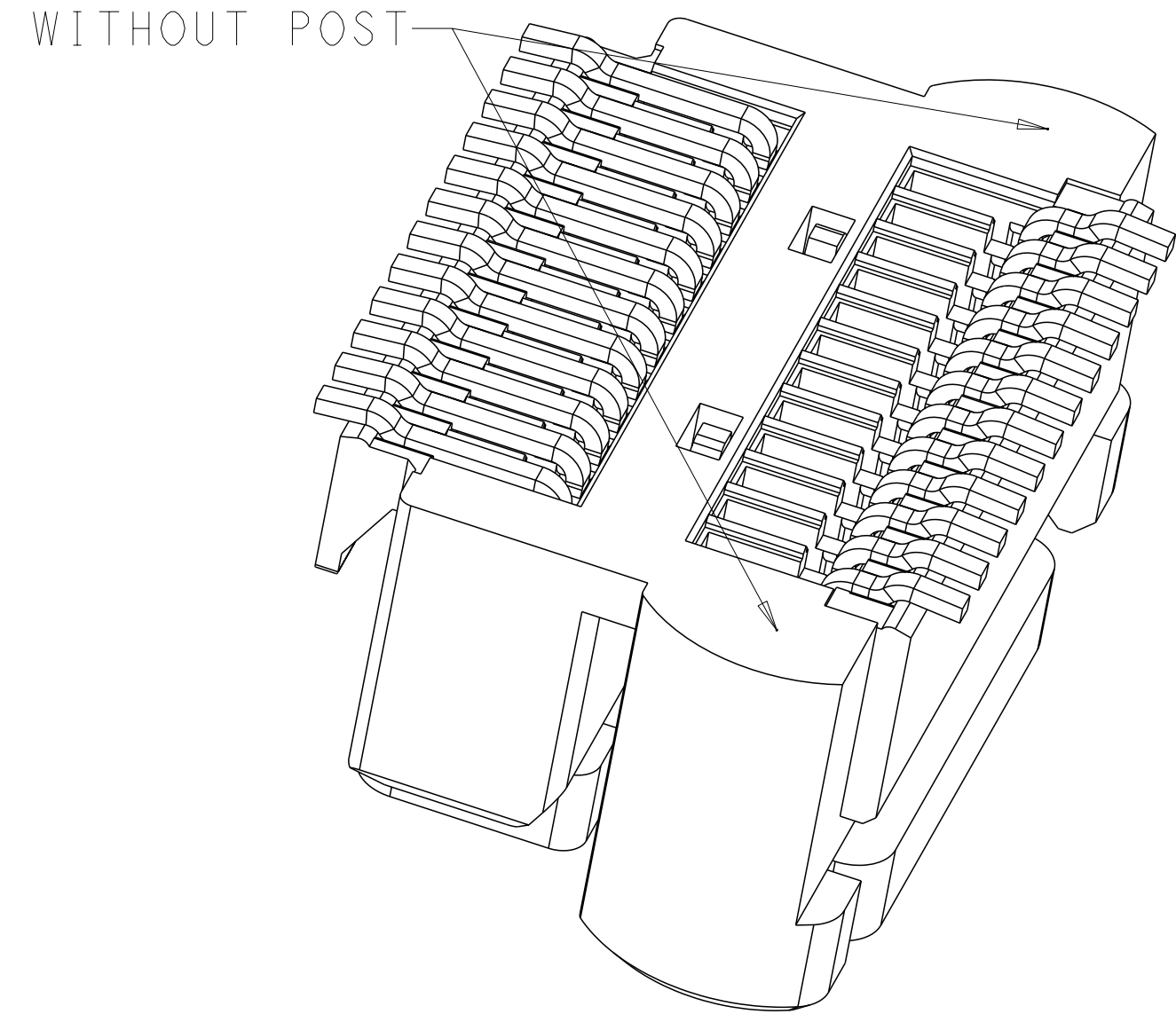
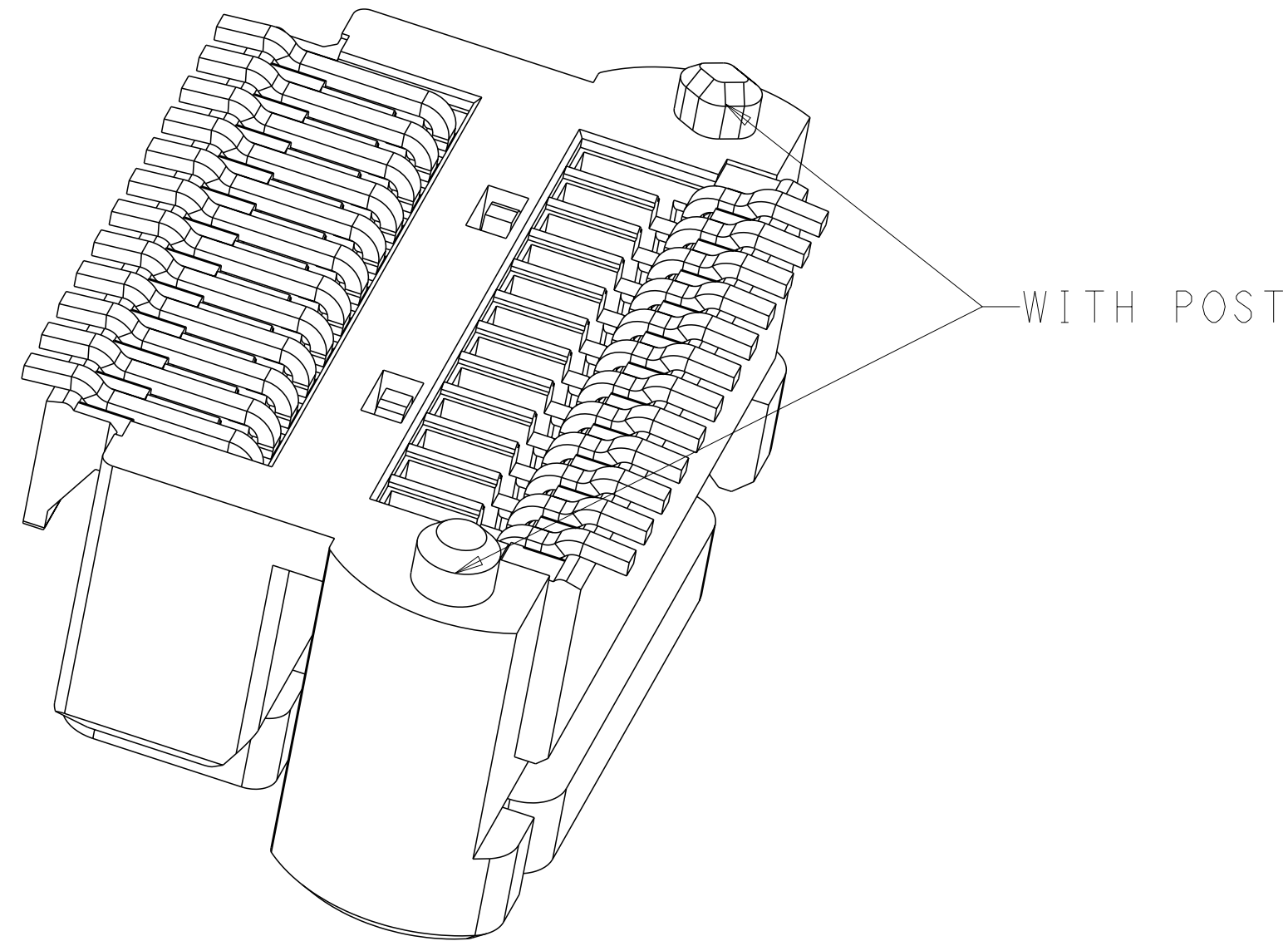
THIS DRAWING IS A CONTROLLED DOCUMENT.		DWN	29 JUL 2012	TE Connectivity
DIMENSIONS:		CHK	29 JUL 2012	
mm		APVD	29 JUL 2012	
		PRODUCT SPEC		
TOLERANCES UNLESS OTHERWISE SPECIFIED:		NAME		0.5MM FINE STACKING BTB, 24 POS 4MM HEIGHT, EMBOSS, WITH CAP HERMAPHRODITIC TYPE CONNECTOR
0 PLC	±	STEVEN YAO		
1 PLC	±0.3	RESTRICTED TO		
2 PLC	±0.10	SIZE		A200779
3 PLC	±	CAGE CODE		C-2199070
4 PLC	±	DRAWING NO		
ANGLES	±1°	SCALE		11:1
FINISH	-	SHEET		2 OF 5
MATERIAL	-	REV		A1
		CUSTOMER DRAWING		

THIS DRAWING IS UNPUBLISHED. RELEASED FOR PUBLICATION 20
 © COPYRIGHT 20 ALL RIGHTS RESERVED.

LOC		DIST		REVISIONS			
P	LTR	DESCRIPTION	DATE	DWN	APVD		
CN	-						

1-2199070-4 AS SHOW

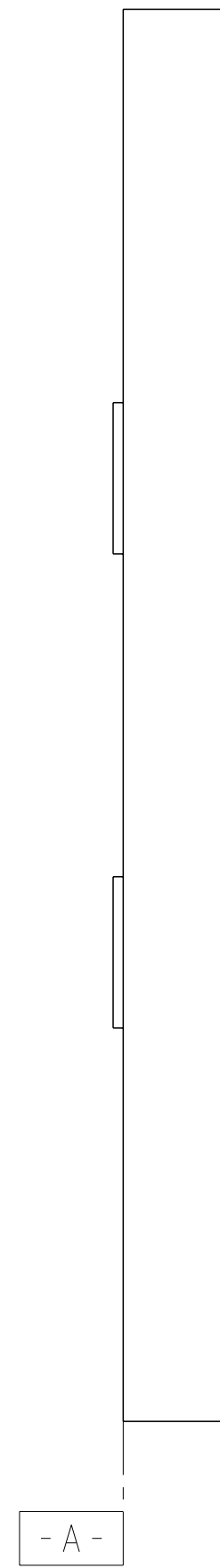
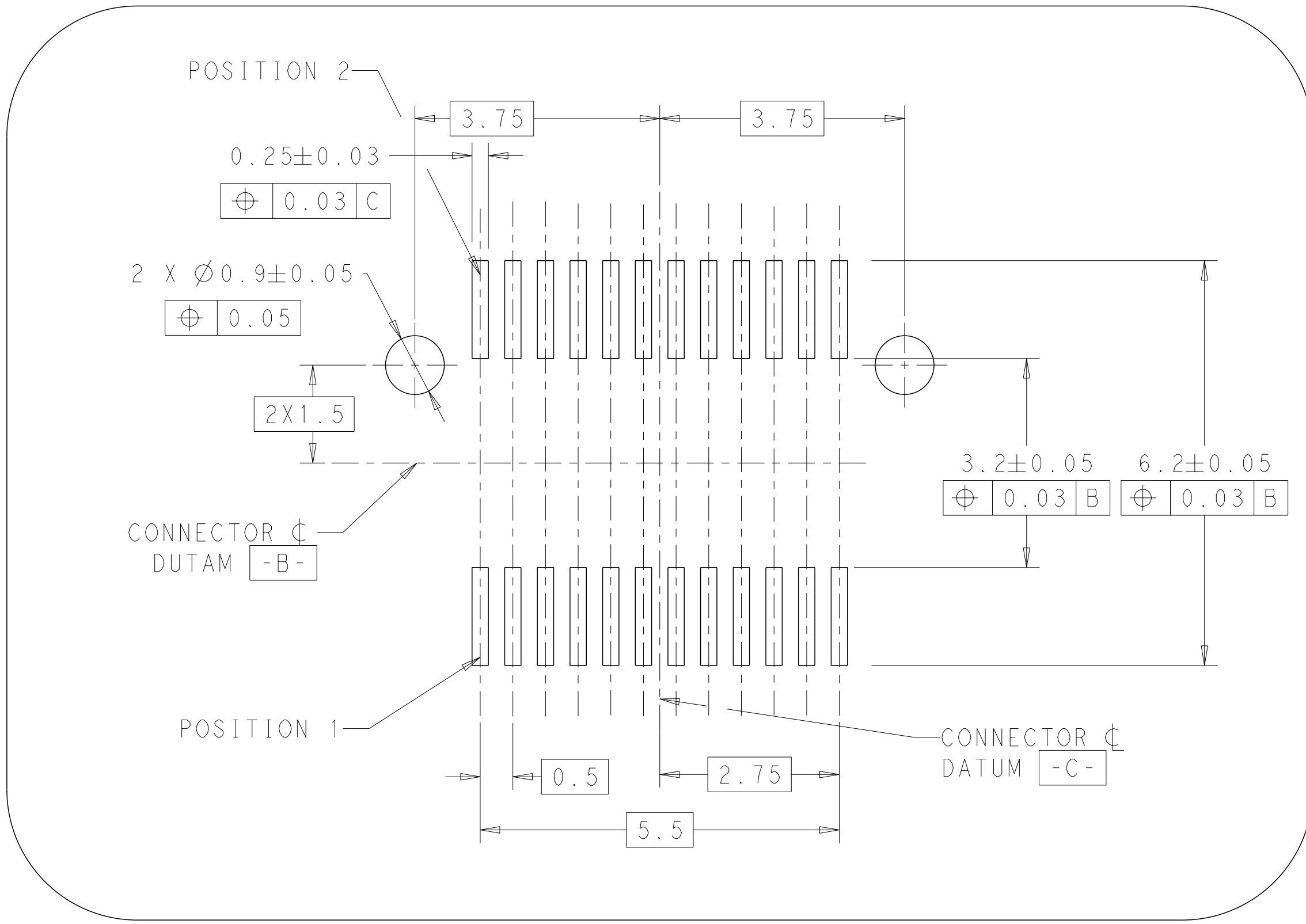
2199070-4 AS SHOW



THIS DRAWING IS A CONTROLLED DOCUMENT.		DWN IVAN TIAN 29 JUL 2012	STE TE Connectivity
DIMENSIONS: mm		CHK WENKE HE 29 JUL 2012	
TOLERANCES UNLESS OTHERWISE SPECIFIED:		APVD STEVEN YAO 29 JUL 2012	NAME 0.5MM FINE STACKING BTB, 24 POS 4MM HEIGHT, EMBOSS, WITH CAP HERMAPHRODITIC TYPE CONNECTOR
0 PLC ± 1 PLC ±0.30 2 PLC ±0.10 3 PLC ± 4 PLC ±		PRODUCT SPEC 108-115057	SIZE A200779
ANGLES ±1°		APPLICATION SPEC 114-115008	CAGE CODE C-2199070
FINISH		WEIGHT 0.167 G	DRAWING NO C-2199070
MATERIAL SEE NOTE 1		CUSTOMER DRAWING	RESTRICTED TO /
SEE P/N TABLE		SCALE 11:1	SHEET 3 OF 5
		REV A1	

THIS DRAWING IS UNPUBLISHED. RELEASED FOR PUBLICATION 20
 © COPYRIGHT 20 ALL RIGHTS RESERVED.

LOC		DIST		REVISIONS			
P	LTR	DESCRIPTION	DATE	DWN	APVD		
CN	-						

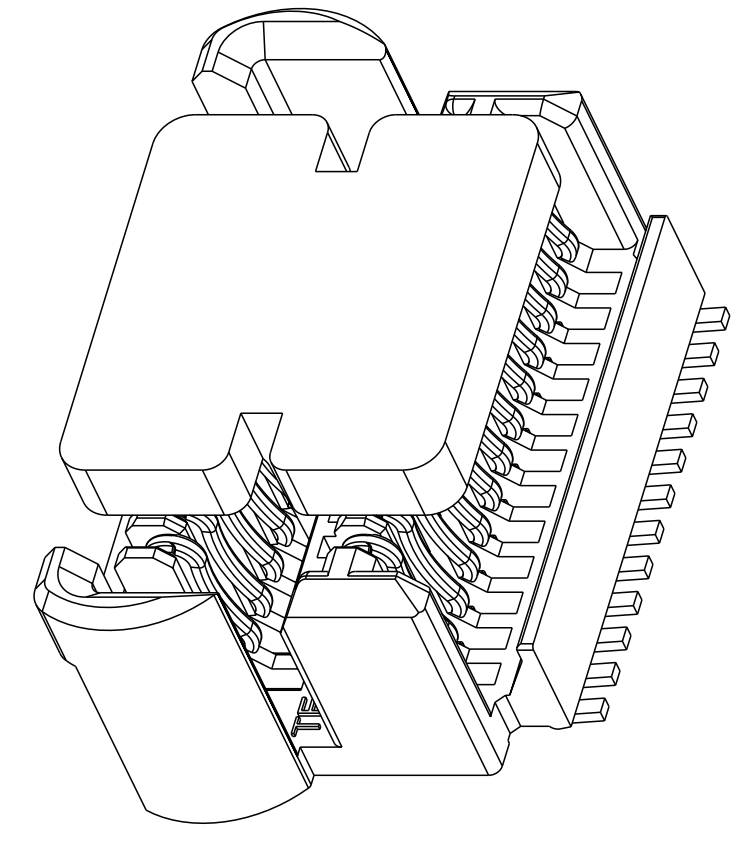
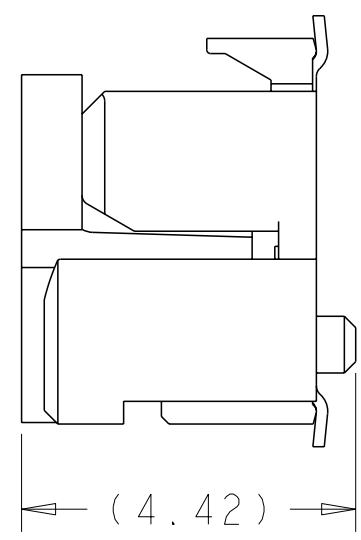
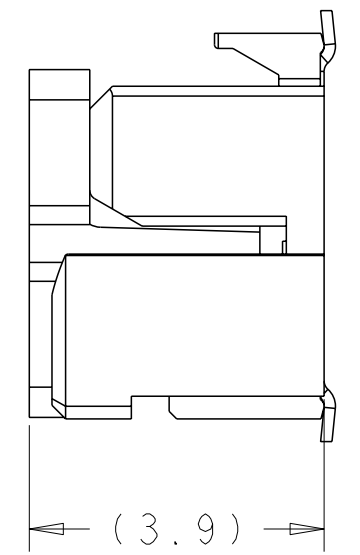
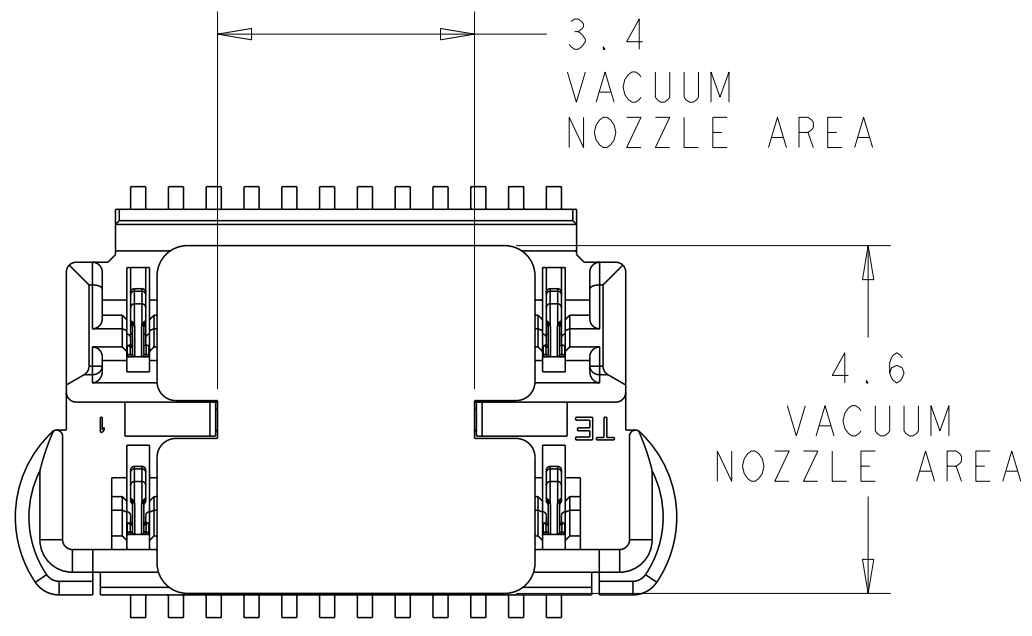
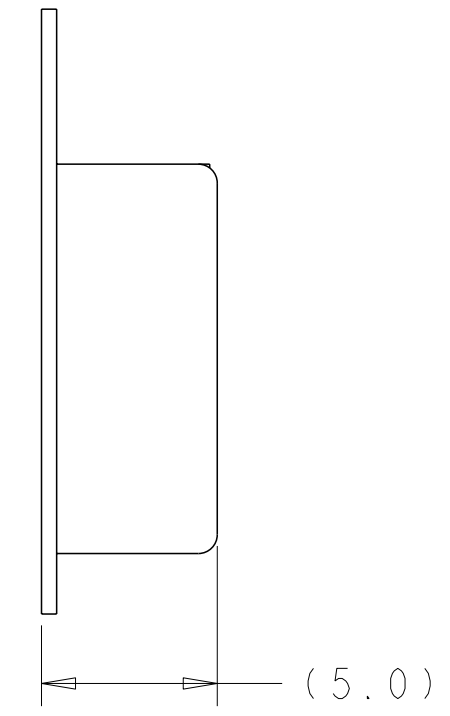
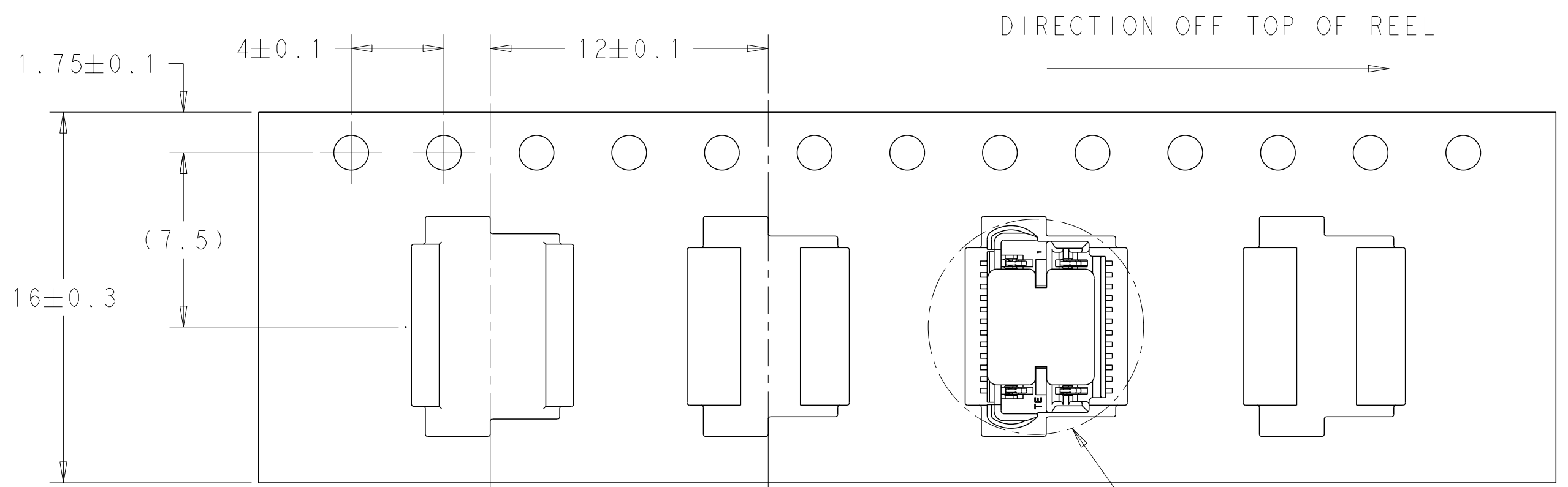


RECOMMENDED FOOTPRINT

THIS DRAWING IS A CONTROLLED DOCUMENT.		DWN	29 JUL 2012	TE Connectivity
DIMENSIONS: mm		CHK	29 JUL 2012	
		APVD	29 JUL 2012	
TOLERANCES UNLESS OTHERWISE SPECIFIED:		NAME		0.5MM FINE STACKING BTB, 24POS 4MM HEIGHT, EMBOSS, WITH CAP HERMAPHRODITIC TYPE CONNECTOR
0 PLC ± 1 PLC ±0.3 2 PLC ±0.10 3 PLC ± 4 PLC ± ANGLES ±1° FINISH		STEVEN YAO PRODUCT SPEC		
MATERIAL		APPLICATION SPEC		SIZE
		WEIGHT		CAGE CODE
		CUSTOMER DRAWING		DRAWING NO
		SCALE 11:1		A200779
		SHEET 4 OF 5		C-2199070
		REV A1		RESTRICTED TO

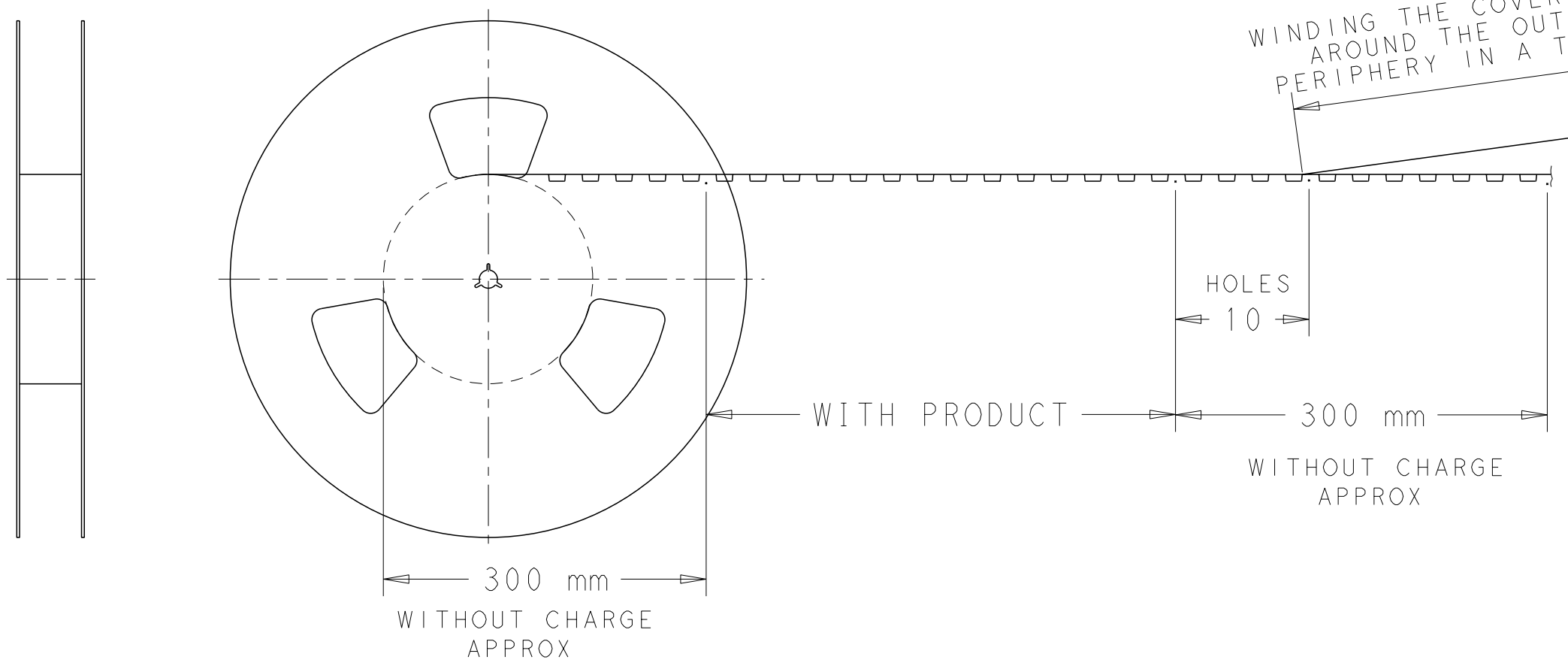
THIS DRAWING IS UNPUBLISHED. RELEASED FOR PUBLICATION 20
 © COPYRIGHT 20 ALL RIGHTS RESERVED.

LOC		DIST		REVISIONS			
P	LTR	DESCRIPTION	DATE	DWN	APVD		
CN	-						



DETAIL CONNECTOR

WINDING THE COVER TAPE AROUND THE OUTER PERIPHERY IN A TURN.



NATURAL	NATURAL	WITH	△2	1100	24	1-2199070-4
NATURAL	NATURAL	WITHOUT	△2	1100	24	2199070-4
CAP COLOR	HSG COLOR	LOCATION POST	FINISH	QTY/R	POS	P/N

THIS DRAWING IS A CONTROLLED DOCUMENT.

DIMENSIONS: mm	TOLERANCES UNLESS OTHERWISE SPECIFIED: 0 PLC ± 1 PLC ±0.3 2 PLC ±0.10 3 PLC ± 4 PLC ± ANGLES ±1° FINISH	DWN: IVAN TIAN 29 JUL 2012 CHK: STEVEN YAO 29 JUL 2012 APVD: WENKE HE PRODUCT SPEC APPLICATION SPEC WEIGHT CUSTOMER DRAWING	NAME: STEVEN YAO SIZE: A2 CAGE CODE: 00779 DRAWING NO: C-2199070 RESTRICTED TO: -	SCALE: 11:1 SHEET 5 OF 5 REV A1
----------------	--	---	---	---------------------------------------

STE TE Connectivity
 0.5MM FINE STACKING BTB, 24POS
 4MM HEIGHT, EMBOSS, WITH CAP
 HERMAPHRODITIC TYPE CONNECTOR

Mouser Electronics

Authorized Distributor

Click to View Pricing, Inventory, Delivery & Lifecycle Information:

[TE Connectivity:](#)

[1-2199070-4](#)