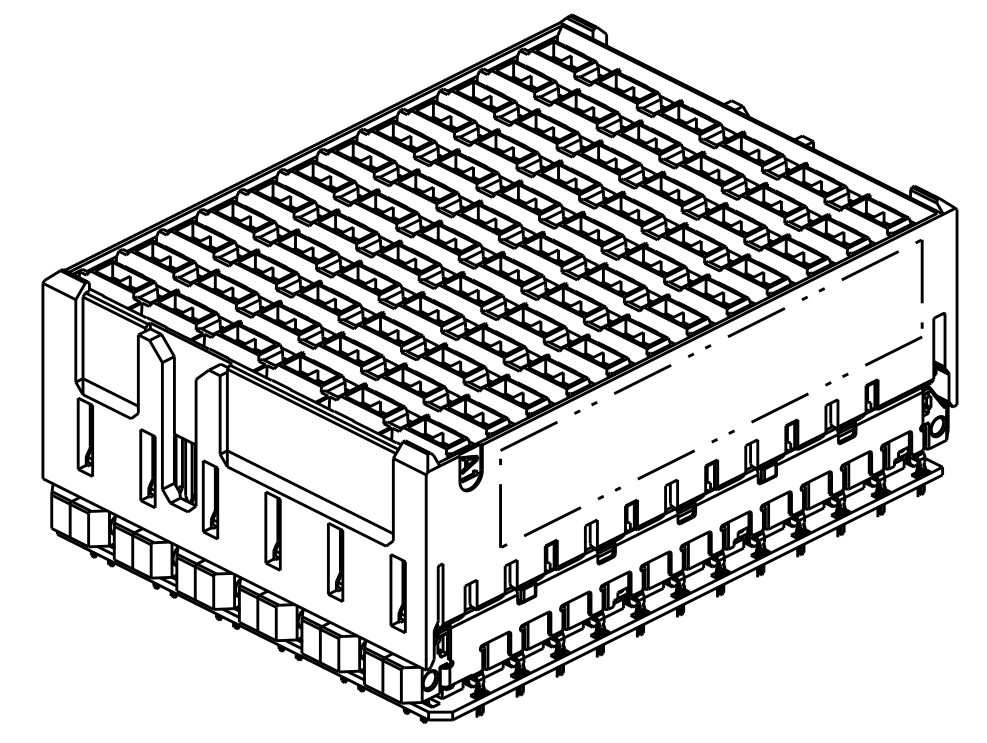
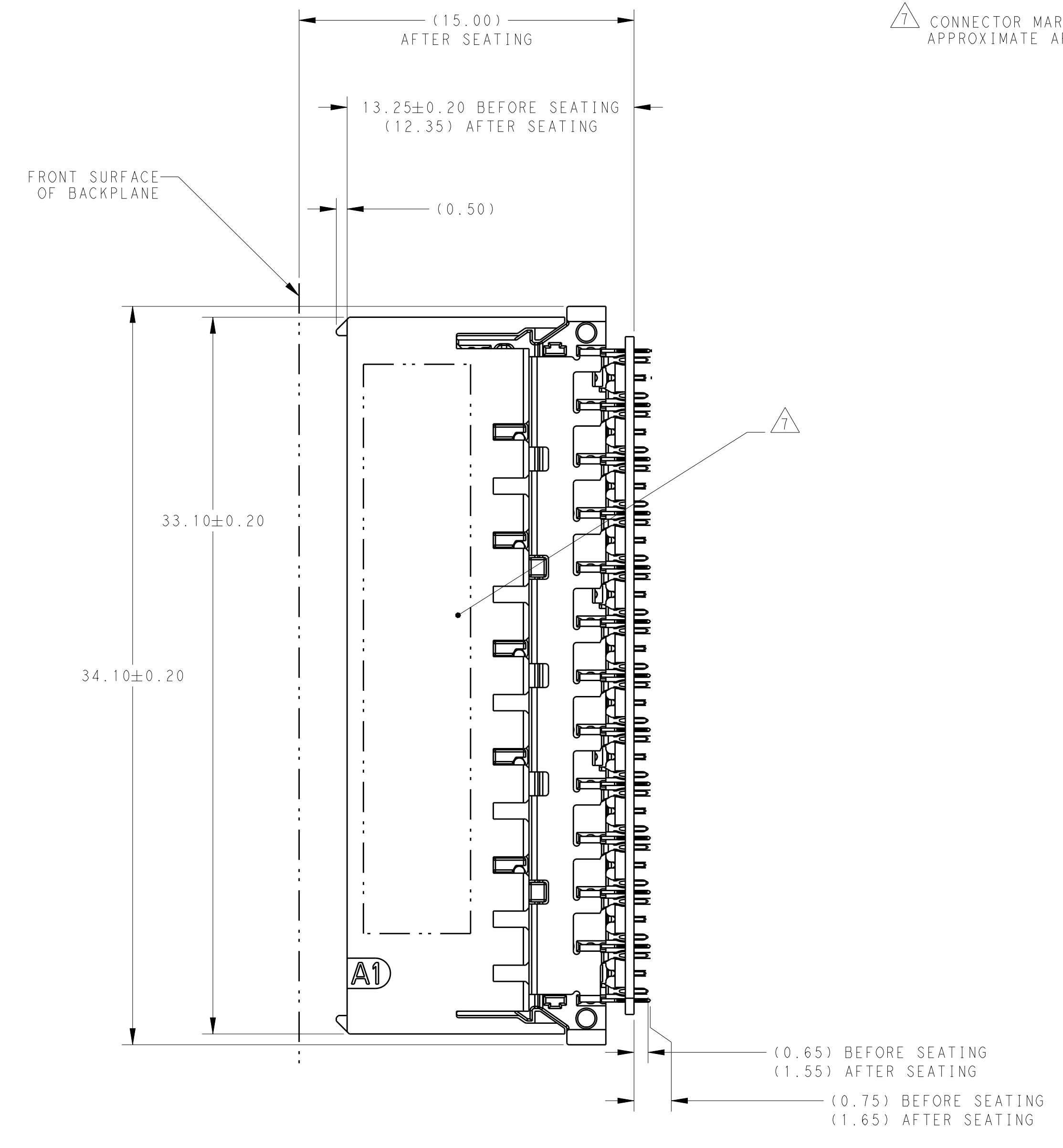
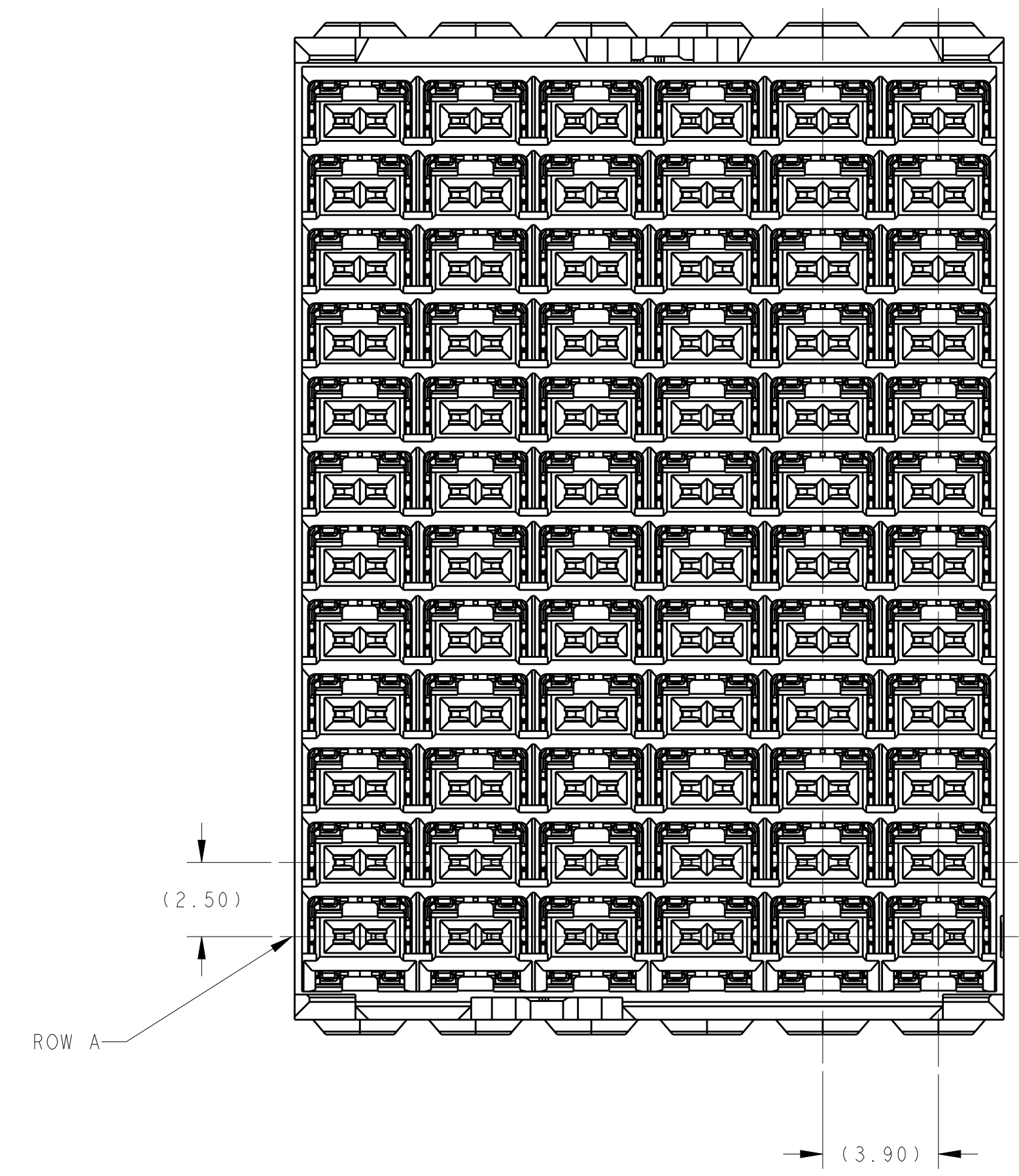
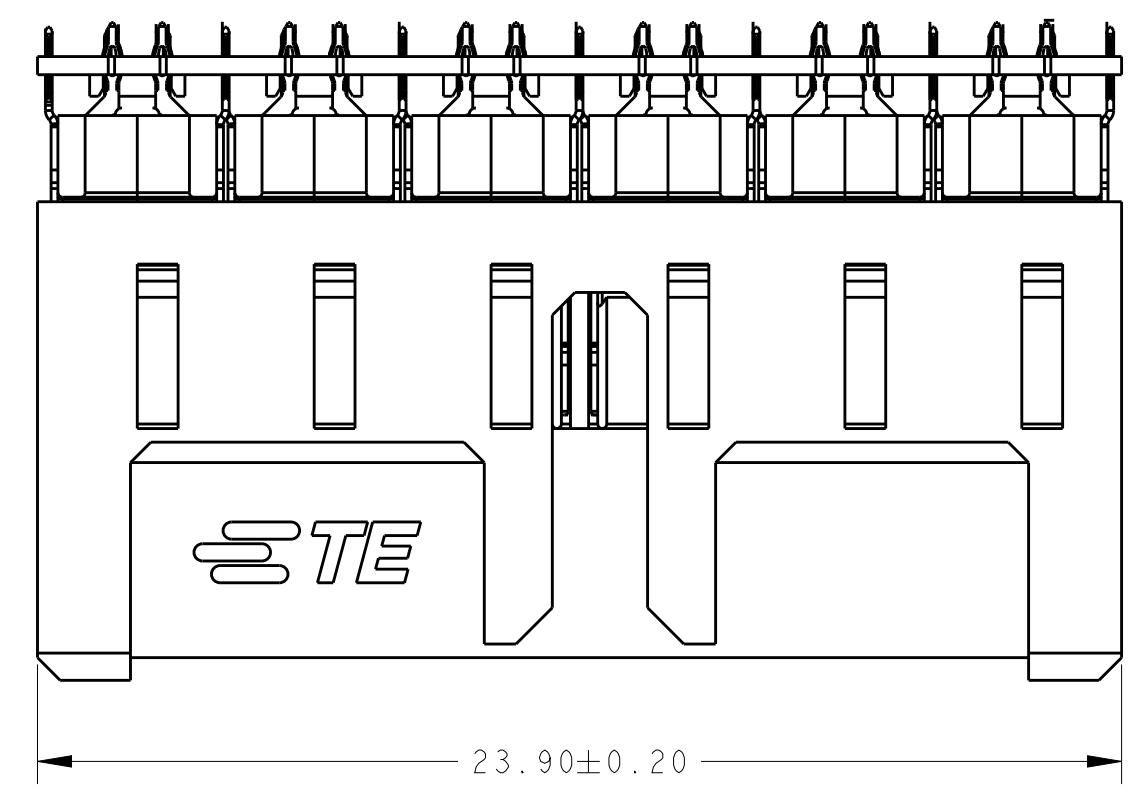


REVISIONS				
P.	LTN	DESCRIPTION	DATE	OWN APVD
A		REVISED PER ECO-16-016761	24NOV2016	AP RP
A1		ECO-17-005634	20APR2017	MH DS
A2		ECO-17-010749	24JUL2017	MH DS
B		REVISED PER ECO-18-005518	12APR2018	AP RP

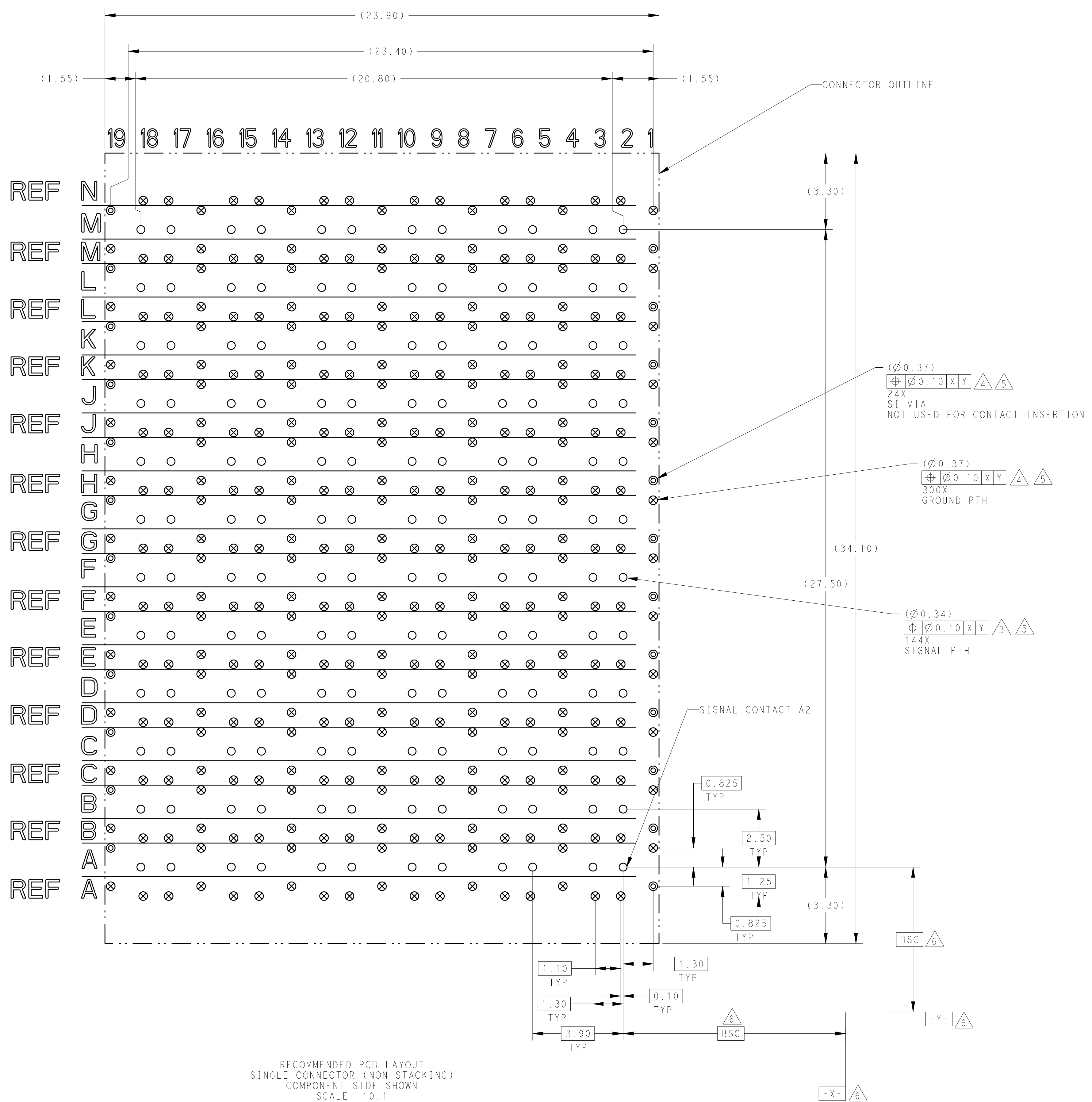


- 1 MATERIAL:
CONTACTS AND SHIELDS - COPPER ALLOY
HOUSINGS AND TAIL ORGANIZER - THERMOPLASTIC, UL 94V-0, BLACK
- 2 FINISH:
- CONFORMS TO THE REQUIREMENTS OF TE PRODUCT SPECIFICATION 108-32112 BASED ON TELCORDIA GR-1217-CORE FOR SYSTEM QUALITY LEVEL III, APPLICATIONS IN CONTROLLED ENVIRONMENTS (CENTRAL OFFICE).
- COMPLIANT PIN AREA: 0.5µm MIN MATTE TIN.
- 3 SIGNAL PLATED THRU HOLE REQUIREMENTS:
FINISHED HOLE = Ø0.34 ± 0.05
HOLE SIZE PRIOR TO PLATING = Ø0.420 ± 0.025
COPPER THICKNESS = 0.025 MIN
IMMERSION TIN IF APPLICABLE = (0.00095)
- 4 GROUND AND SI VIA PLATED THRU HOLE REQUIREMENTS:
FINISHED HOLE = Ø0.37 ± 0.05
HOLE SIZE PRIOR TO PLATING = Ø0.450 ± 0.025
COPPER THICKNESS = 0.025 MIN
IMMERSION TIN IF APPLICABLE = (0.00095)
- 5 PTH DIMENSIONS APPLY TO THE TOP 1.25mm OF THE PCB THICKNESS FROM THE CONNECTOR MOUNTING SIDE.
- 6 DATUMS AND BASIC DIMENSIONS ESTABLISHED BY CUSTOMER
- 7 CONNECTOR MARKED WITH PART NUMBER, DATE CODE, AND "100 OHM" IN APPROXIMATE AREA SHOWN, ON EITHER SIDE OF HOUSING.

2187626-1
PART NUMBER

THIS DRAWING IS A CONTROLLED DOCUMENT.		OWN: N. EVANS 09FEB2015		12 PAIR, 6 COLUMN, 100 OHM, PAIR-IN-ROW, STRADA WHISPER VERTICAL RECEPTACLE	
DIMENSIONS: mm		CHK: N. EVANS 09FEB2015		NAME: S. FLICKINGER	SIZE: A1
TOLERANCES UNLESS OTHERWISE SPECIFIED:		APVD: S. FLICKINGER 09FEB2015	PRODUCT SPEC: 108-32112	CAGE CODE: 114-32029	DRAWING NO: C=2187626
MATERIAL: -		FINISH: -	APPLICATION SPEC: -	WEIGHT: -	CUSTOMER DRAWING
ANGLES: -		FINISH: -	WEIGHT: -	SCALE: 6:1	SHEET 1 OF 2 REV B

REVISIONS				
P.	LTN	DESCRIPTION	DATE	APVD
-	-	SEE SHEET 1	-	-



○ = SIGNAL
 ⊗ = GROUND
 ⊙ = SIGNAL INTEGRITY VIA TO GROUND

THIS DRAWING IS A CONTROLLED DOCUMENT.		OWN: N. EVANS 09FEB2015 CHK: N. EVANS 09FEB2015 APVD: S. FLICKINGER 09FEB2015	TE Connectivity NAME: 12 PAIR, 6 COLUMN, 100 OHM, PAIR-IN-ROW, STRADA WHISPER VERTICAL RECEPTACLE PRODUCT SPEC: 108-32112 APPLICATION SPEC: 114-32029 MATERIAL: - FINISH: - WEIGHT: - CUSTOMER DRAWING
DIMENSIONS:	TOLERANCES UNLESS OTHERWISE SPECIFIED:	SIZE: A1 CAGE CODE: 00779 DRAWING NO: C=2187626 SCALE: 1:1 SHEET: 2 OF 2 REV: B	

Mouser Electronics

Authorized Distributor

Click to View Pricing, Inventory, Delivery & Lifecycle Information:

[TE Connectivity:](#)

[2187626-1](#)