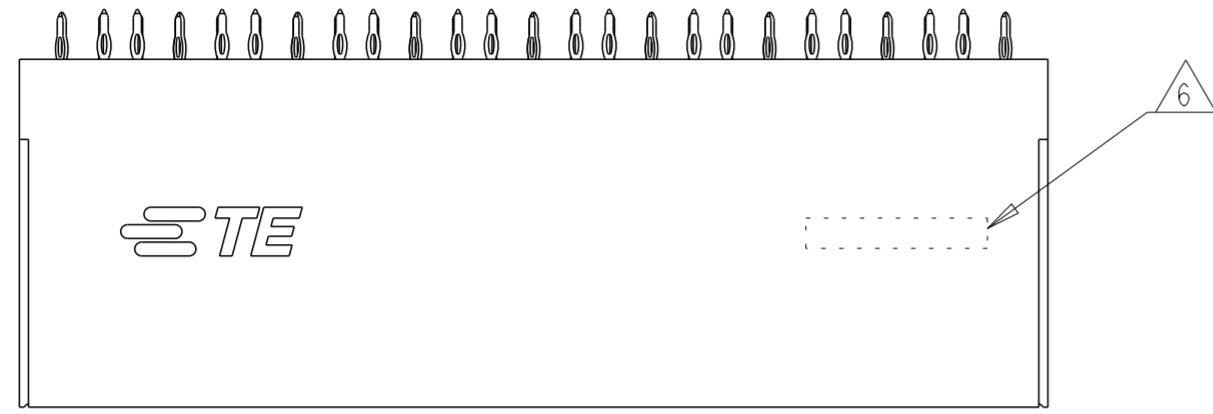
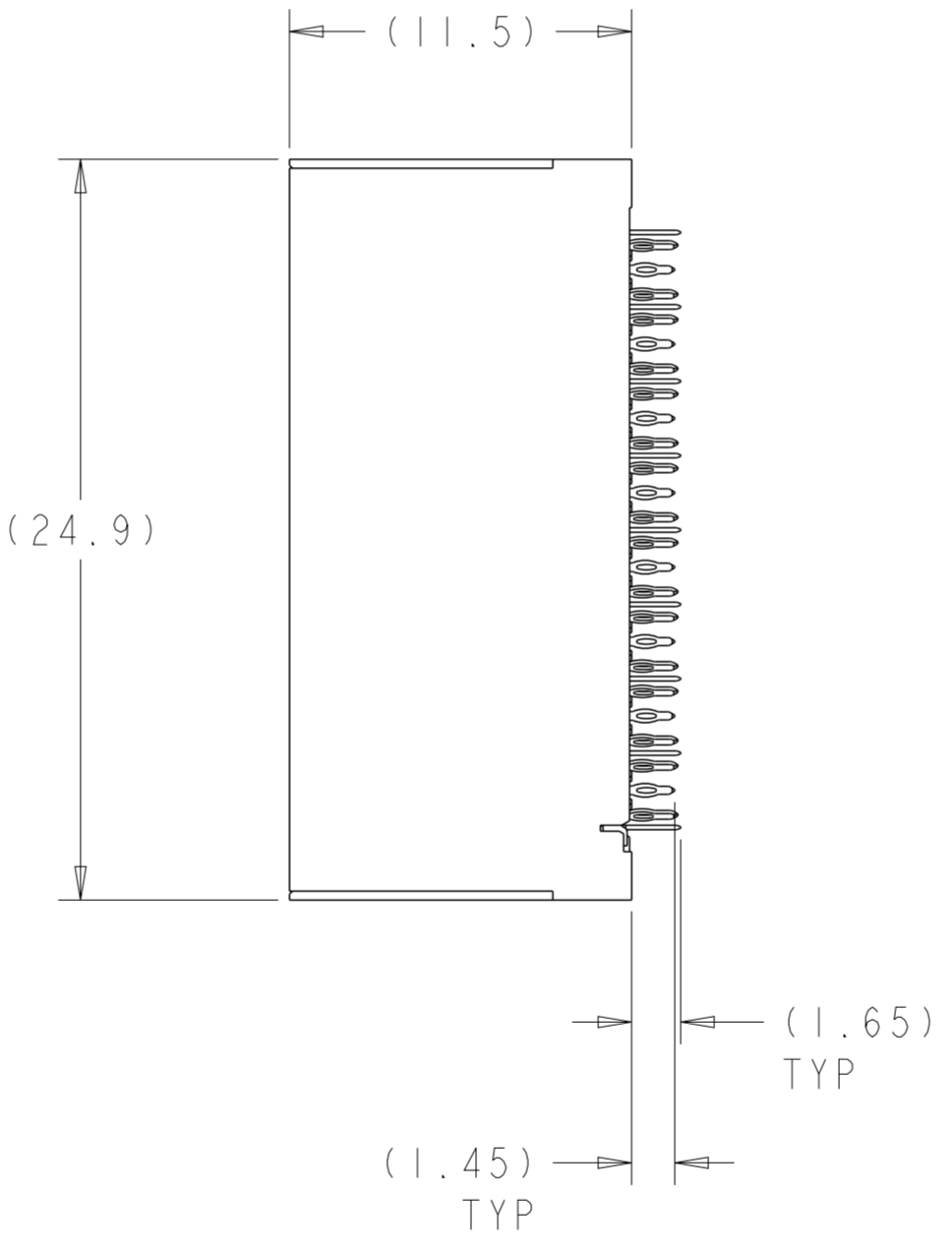
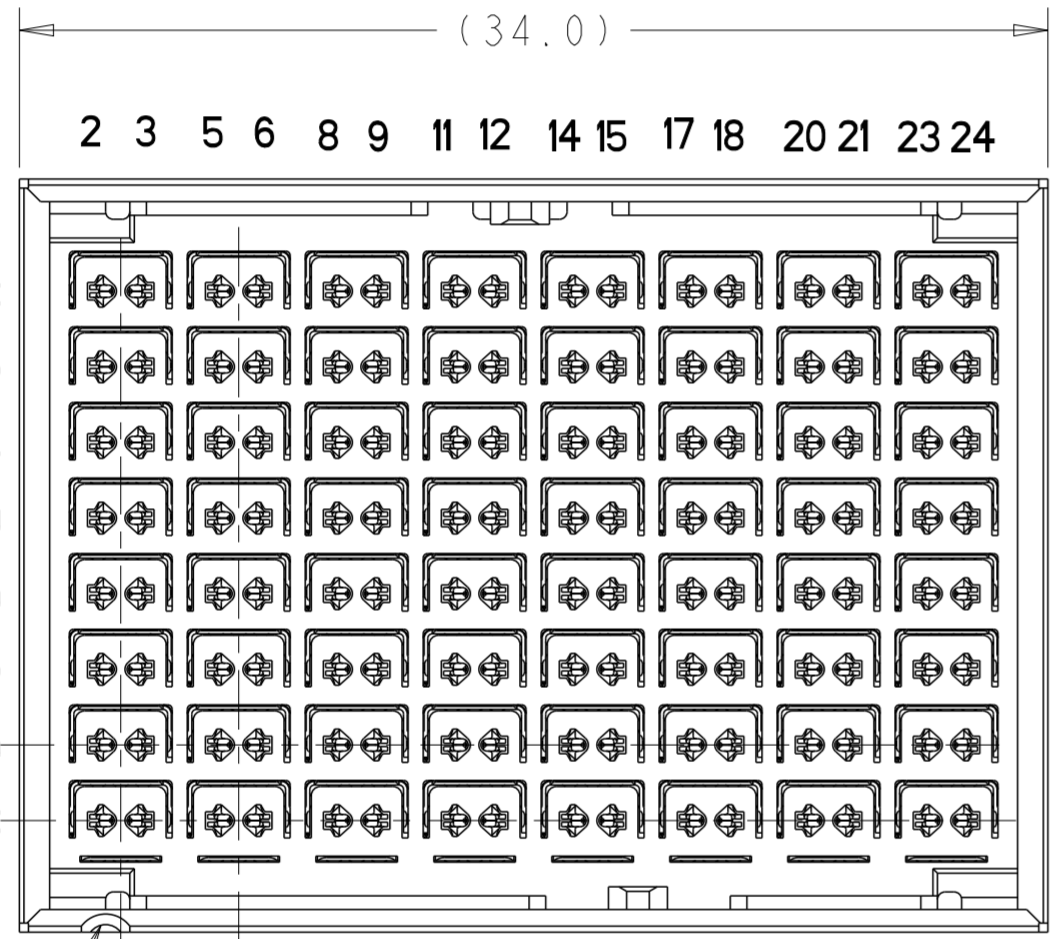


THIS DRAWING IS UNPUBLISHED. RELEASED FOR PUBLICATION 20
 © COPYRIGHT 20 BY - ALL RIGHTS RESERVED.

LOC		DIST		REVISIONS			
GP	00	P	LTR	DESCRIPTION	DATE	DWN	APVD
		A		REVISED PER ECO-16-000464	02FEB2016	AP	RP
		B		REVISED PER ECO-16-015291	25OCT2016	AP	RP
		C		REVISED PER ECO-20-008552	02JUL2020	AP	RP



- △1 HOUSING: THERMOPLASTIC, UL 94V-0, BLACK.
CONTACTS AND SHIELDS: COPPER ALLOY
- △2 FINISH:
- CONFORMS TO THE REQUIREMENTS OF TE PRODUCT SPECIFICATION 108-32021 BASED ON TELCORDIA GR-1217-CORE FOR SYSTEM QUALITY LEVEL III, APPLICATIONS IN CONTROLLED ENVIRONMENTS (CENTRAL OFFICE).
- COMPLIANT PIN AREA: 0.5µm MIN MATTE TIN.
- △3 SIGNAL, GROUND, AND SI VIA PLATED THRU HOLE REQUIREMENTS:
FINISHED HOLE = $\varnothing 0.37 \pm 0.05$
HOLE SIZE PRIOR TO PLATING = $\varnothing 0.450 \pm 0.025$
COPPER THICKNESS = 0.025 MIN
IMMERSION TIN IF APPLICABLE = (0.00095)
- △4 PTH DIMENSIONS APPLY TO THE TOP 1.00mm OF THE PCB THICKNESS FROM THE CONNECTOR MOUNTING SIDE.
- △5 APPLIES TO FINISHED HOLE DIAMETER.
- △6 CONNECTOR MARKED WITH PART NUMBER, DATE CODE, AND "85 OHM" IN APPROXIMATE AREA SHOWN.
- △7 DATUMS AND BASIC DIMENSIONS ESTABLISHED BY CUSTOMER.



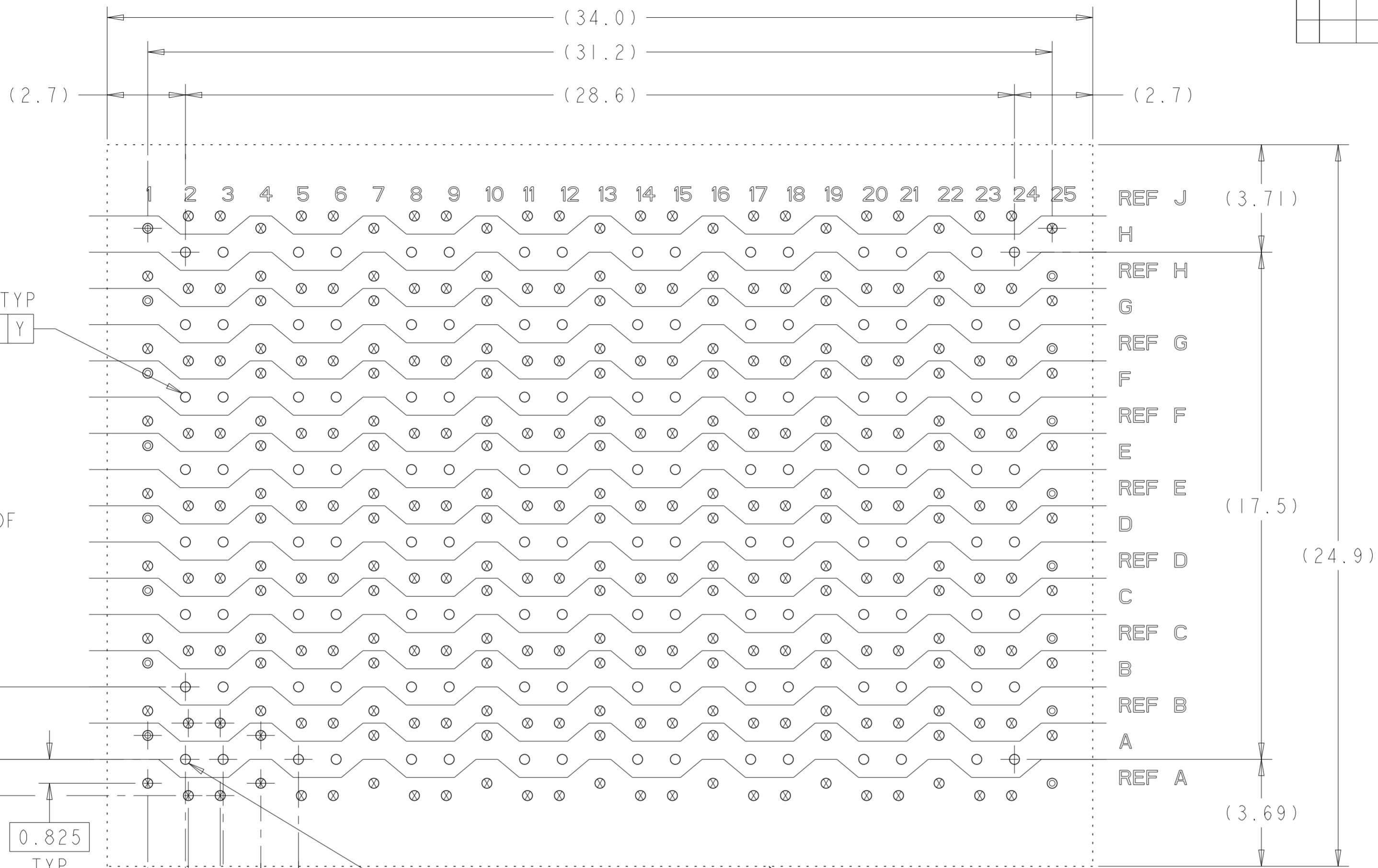
(3.9) TYP
 POSITION A1 CORNER INDICATOR

2187345-1
 PART NO

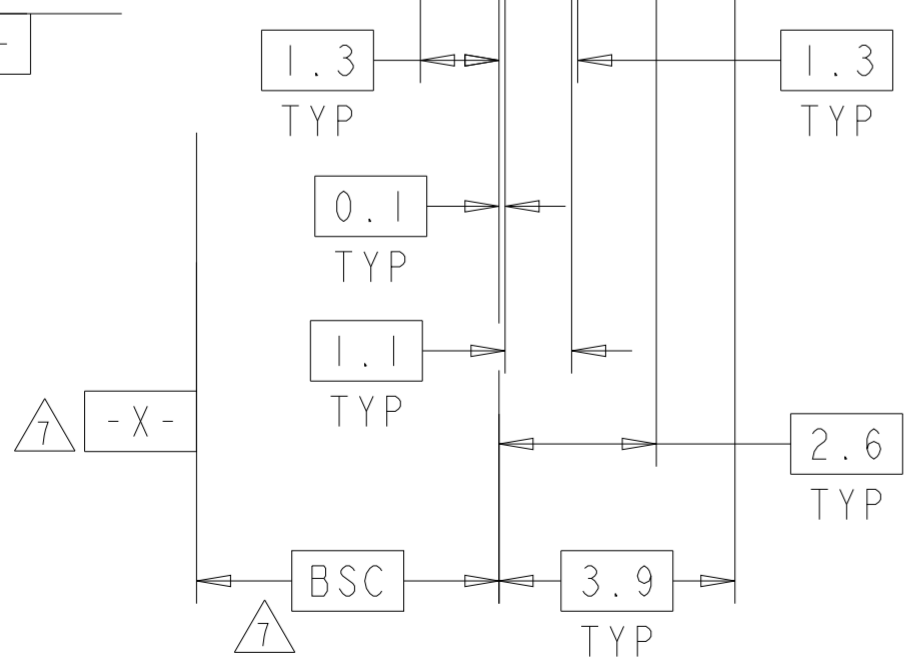
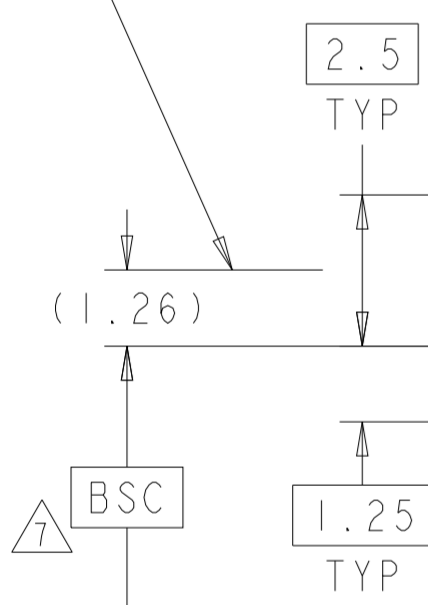
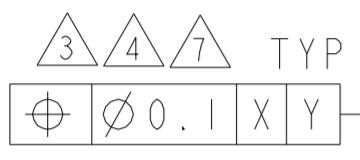
THIS DRAWING IS A CONTROLLED DOCUMENT.		DWN J. McCLINTON 13AUG2015	TE Connectivity	
DIMENSIONS: mm		CHK R. PATTERSON 13AUG2015		
TOLERANCES UNLESS OTHERWISE SPECIFIED:		APVD R. PATTERSON 13AUG2015	NAME HEADER ASSEMBLY, 8 PAIR 8 COLUMN, BACKPLANE, 85 OHM, PAIR-IN-ROW, STRADA WHISPER	
0 PLC ± 1 PLC ± 2 PLC ± 3 PLC ± 4 PLC ± ANGLES ± FINISH		PRODUCT SPEC 108-32021	SIZE A2	CAGE CODE 00779
MATERIAL △1 - △2 -		APPLICATION SPEC 114-32029	DRAWING NO C-2187345	RESTRICTED TO -
		WEIGHT -	SCALE 4:1	SHEET 1 OF 2
		CUSTOMER DRAWING	REV C	

THIS DRAWING IS UNPUBLISHED. RELEASED FOR PUBLICATION 20
 © COPYRIGHT 20 BY - ALL RIGHTS RESERVED.

LOC		DIST		REVISIONS			
P	LTR	DESCRIPTION	DATE	DWN	APVD		
-	-	SEE SHEET 1	-	-	-		



TOP SURFACE OF DAUGHTERCARD



SIGNAL CONTACT A2 CONNECTOR OUTLINE

RECOMMENDED PCB LAYOUT COMPONENT SIDE SHOWN SCALE 8:1

- = SIGNAL
- ⊗ = GROUND
- ⊙ = SIGNAL INTEGRITY VIA TO GROUND

THIS DRAWING IS A CONTROLLED DOCUMENT.		DWN J. McCLINTON 13AUG2015	TE Connectivity	
DIMENSIONS: mm		CHK R. PATTERSON 13AUG2015		
TOLERANCES UNLESS OTHERWISE SPECIFIED:		APVD R. PATTERSON 13AUG2015	NAME HEADER ASSEMBLY, 8 PAIR 8 COLUMN, BACKPLANE, 85 OHM, PAIR-IN-ROW, STRADA WHISPER	
0 PLC ±		PRODUCT SPEC 108-32021	SIZE A2	
1 PLC ±		APPLICATION SPEC 114-32029	CAGE CODE 00779	
2 PLC ±		WEIGHT -	DRAWING NO C-2187345	
3 PLC ±		MATERIAL material_2	RESTRICTED TO -	
4 PLC ±		FINISH finish_spec_2	SCALE 2:1	
ANGLES ±		Customer Drawing	SHEET 2 OF 2	
FINISH			REV C	

Mouser Electronics

Authorized Distributor

Click to View Pricing, Inventory, Delivery & Lifecycle Information:

[TE Connectivity:](#)

[2187345-1](#)