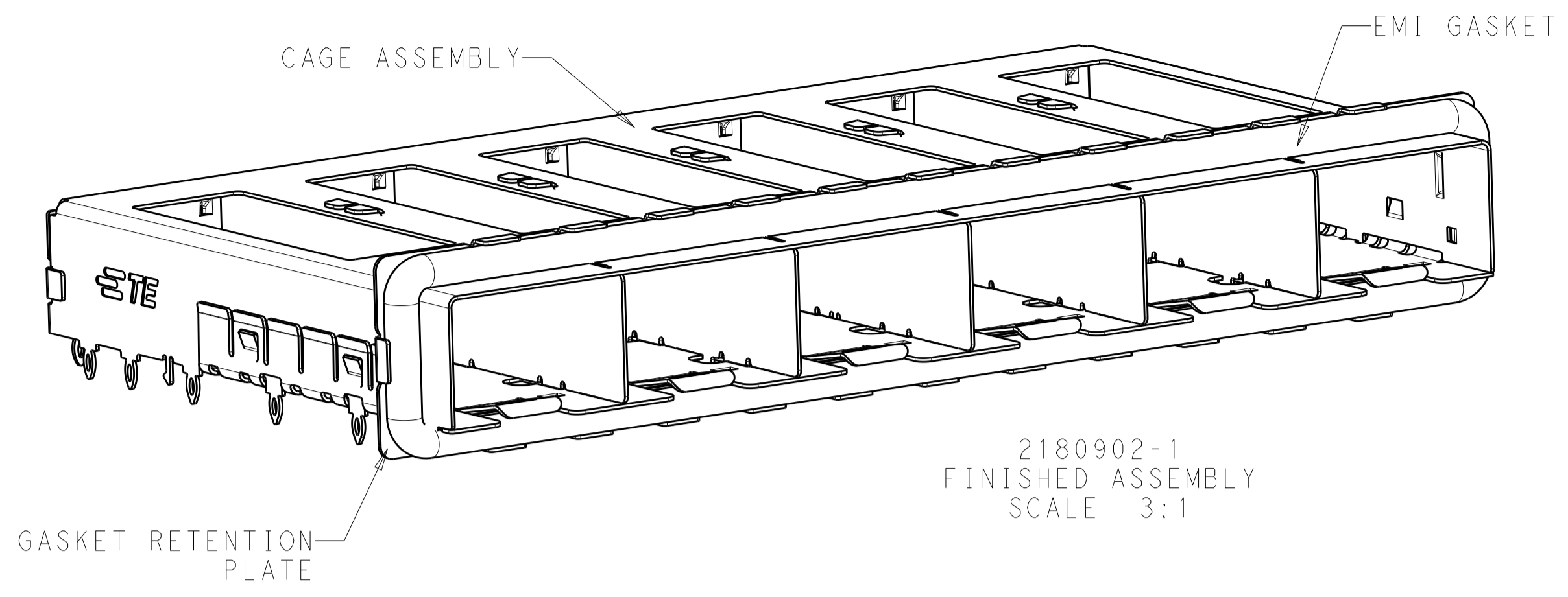
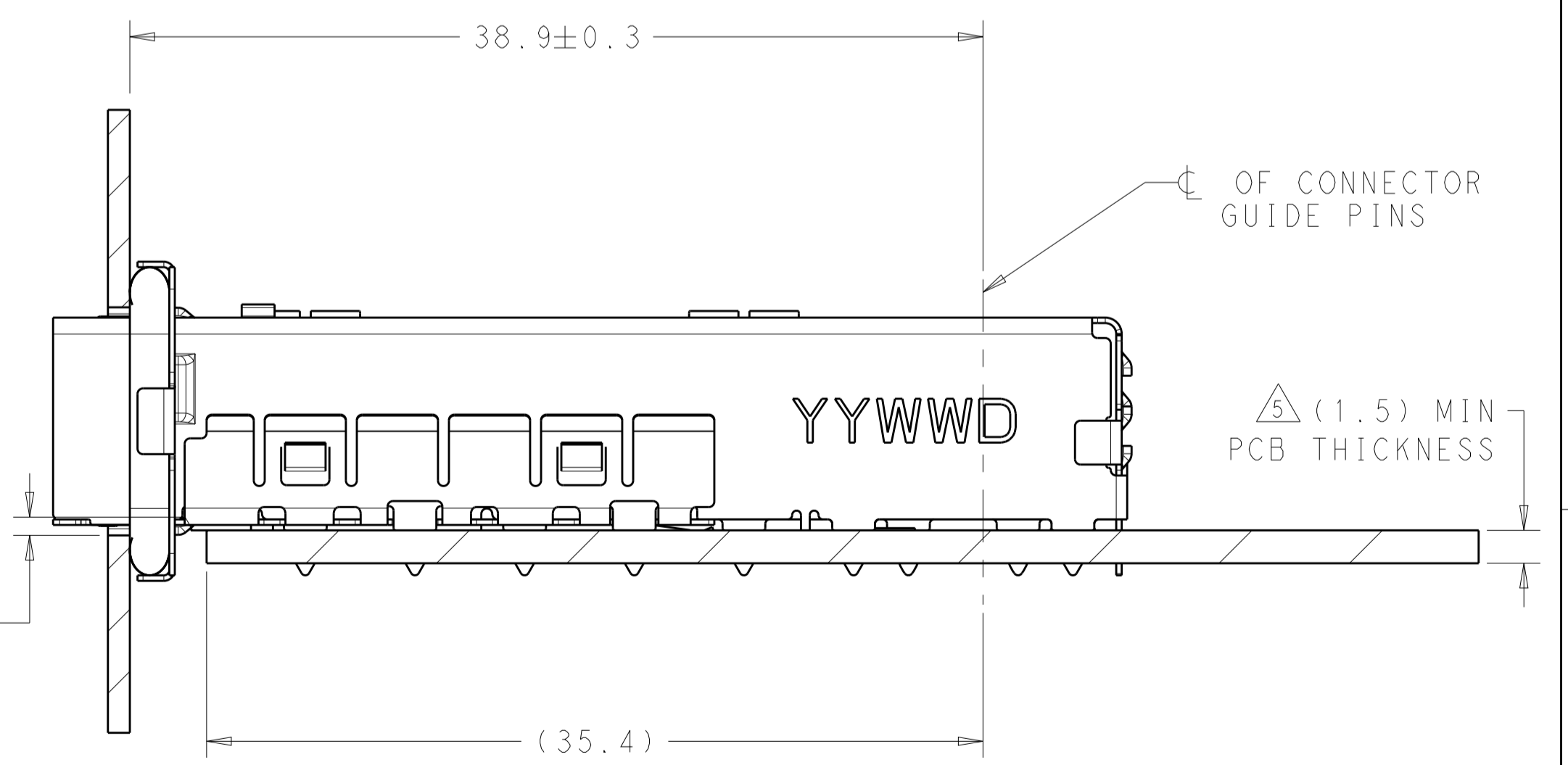
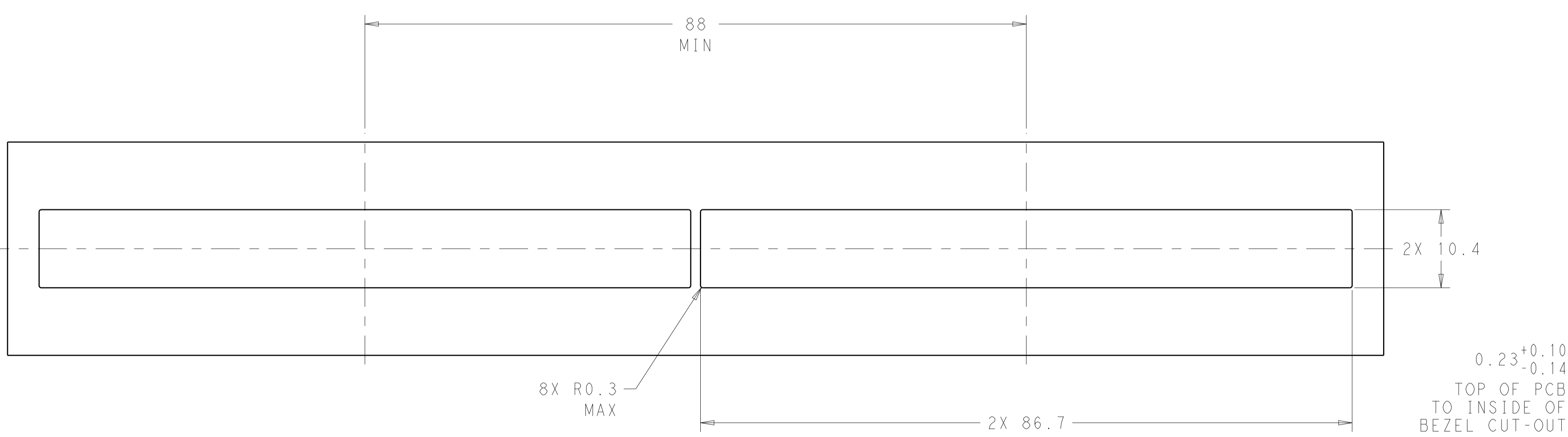
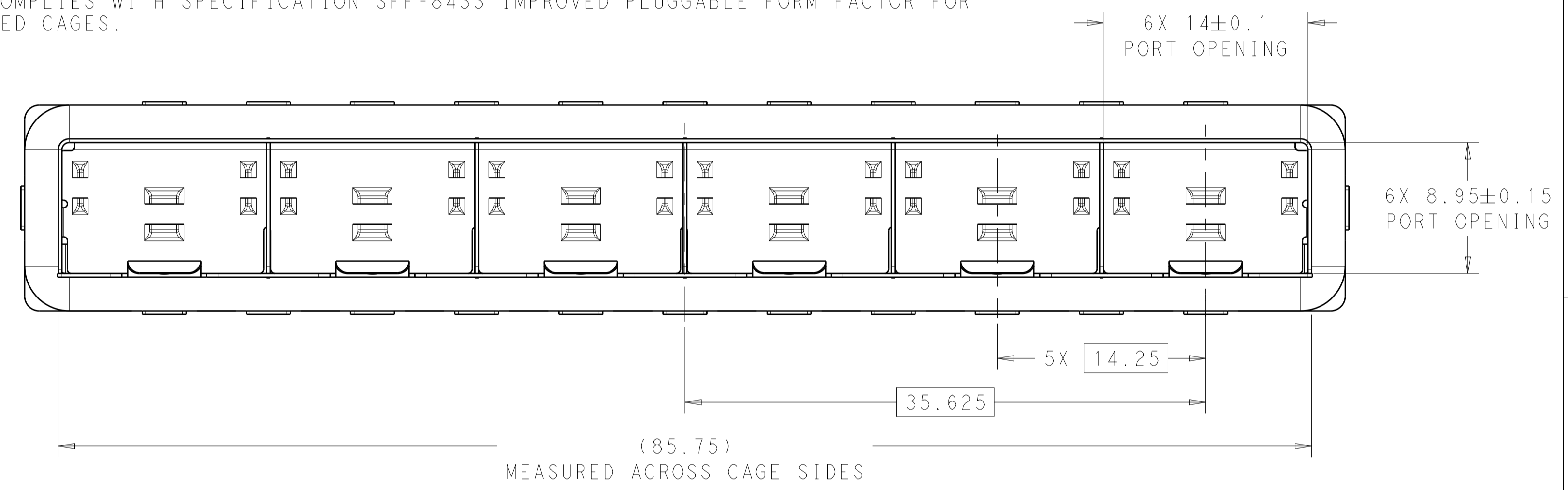
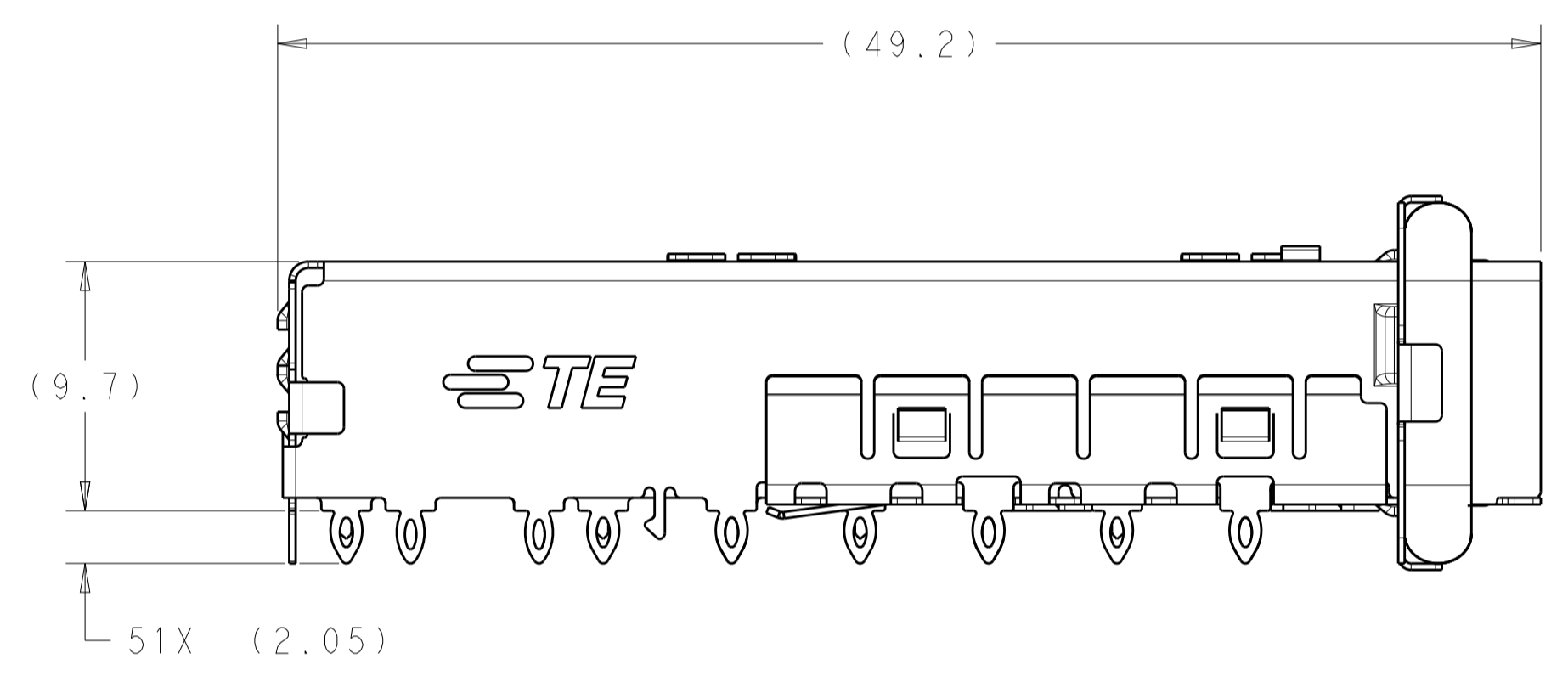


LOC	DIST	REVISIONS			
P	LTN	DESCRIPTION	DATE	DMN	APVD
GP	00	A	RELEASED PER ECO-12-013192	04SEP2012	BMM MRS



1. MATERIAL:
CAGE ASSEMBLY: NICKEL SILVER ALLOY, 0.25mm THICK.
GASKET RETENTION PLATE: STAINLESS STEEL
EMI GASKET: PLATED FILLED SILICONE
2. MATES WITH SFP MSA COMPLIANT TRANSCEIVERS.
3. PADS AND VIAS CHASSIS GROUND.
4. INTERPRETATION OF DATUM REFERENCE FRAME IN ACCORDANCE WITH SECT 4.4.1.1 OF ASME Y14.5M-1994.
5. MINIMUM PCB BOARD THICKNESS:
SINGLE SIDED = 1.50
6. HOLE PATTERN REPEATS FOR EACH PORT. SPACING BETWEEN PORTS IS 14.25mm.
7. DATUM AND BASIC DIMENSION ESTABLISHED BY CUSTOMER.
8. REFERENCE APPLICATION SPEC. 114-13120, HOLE A, FOR RECOMMENDED DRILL HOLE DIAMETER AND PLATING THICKNESS.
9. REFERENCE APPLICATION SPEC. 114-13120, HOLE B, FOR RECOMMENDED DRILL HOLE DIAMETER AND PLATING THICKNESS.
10. CERTAIN MATING TRANSCEIVERS MAY REQUIRE ADDITIONAL PCB THICKNESS THAT WOULD BE DETERMINED BY THE CUSTOMER.
11. PRODUCT COMPLIES WITH SPECIFICATION SFF-8433 IMPROVED PLUGGABLE FORM FACTOR FOR SFP+ GANGED CAGES.



RECOMMENDED BEZEL CUT-OUT
SINGLE SIDED APPLICATIONS
SCALE 5:2

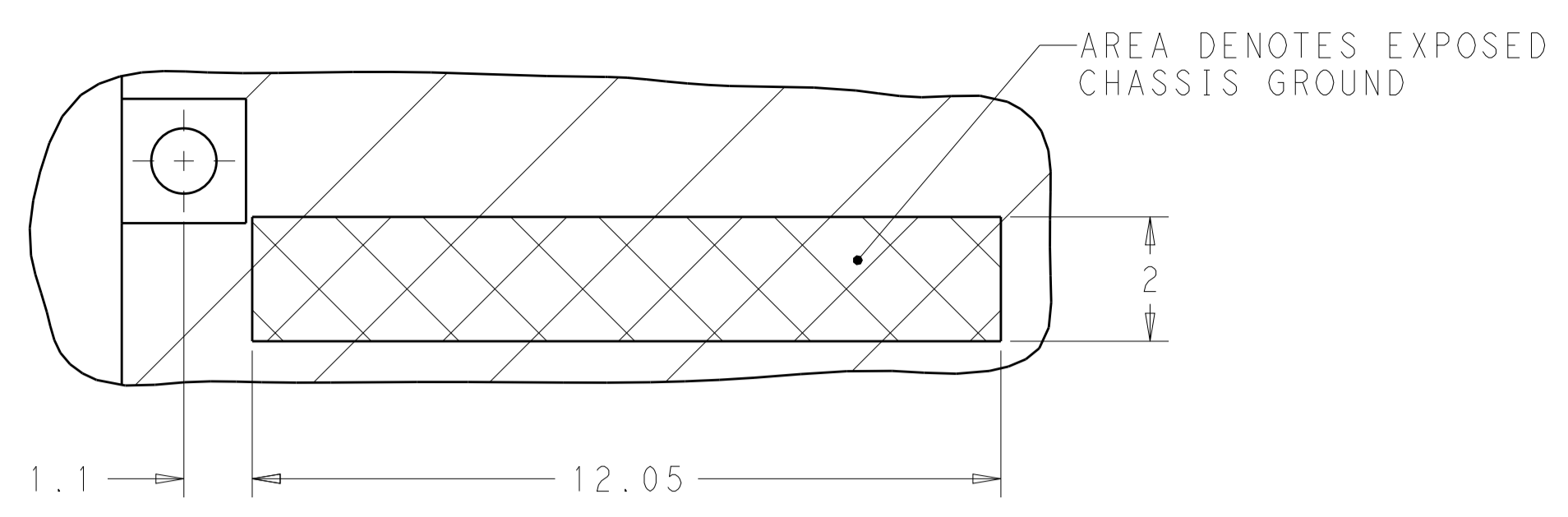
2180902-1
MOUNTED ON PC BOARD
SHOWN THRU RECOMMENDED BEZEL

2180902-1
PART
NUMBER

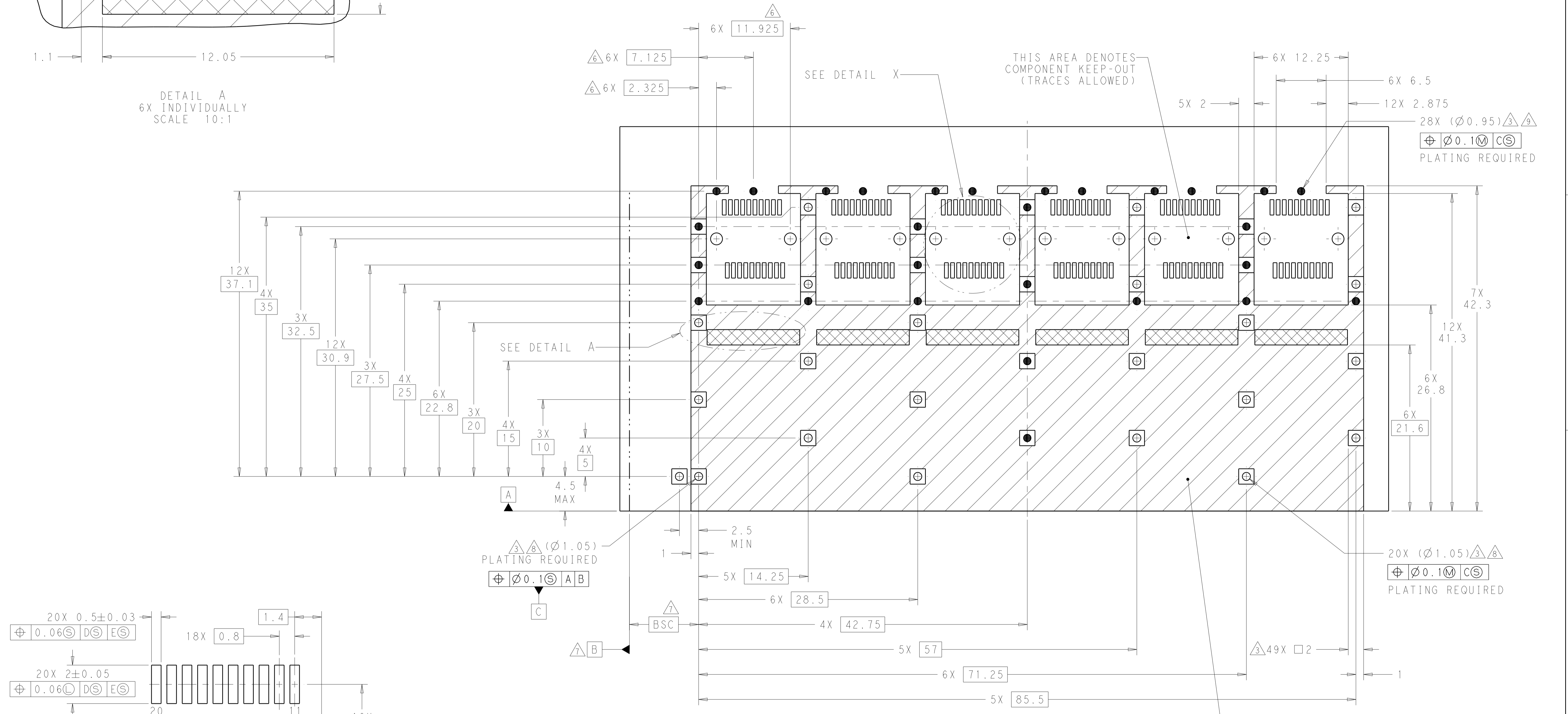
THIS DRAWING IS A CONTROLLED DOCUMENT.		DMN B. MATTHEWS 20JUL2011	STE TE Connectivity	
DIMENSIONS:		CHK M. SCHMITT 20JUL2011	NAME SFP+ ENHANCED 1X6 CAGE SUBASSEMBLY PRESS FIT, EMI GASKET	
TOLERANCES UNLESS OTHERWISE SPECIFIED:		APVD M. SCHMITT 20JUL2011	PRODUCT SPEC 108-2364	
mm		APPLICATION SPEC 114-13120	RESTRICTED TO	
0 PLC	±0.1	WEIGHT	A100779C=2180902	
1 PLC	±0.1	CUSTOMER DRAWING	SCALE 4:1 SHEET 1 OF 2 REV A	
2 PLC	±0.1			
3 PLC	±0.1			
4 PLC	±0.1			
ANGLES	±0.1			
FINISH	±1*			

LOC	DIST	REV	DATE	BY	APPV
GP	00				

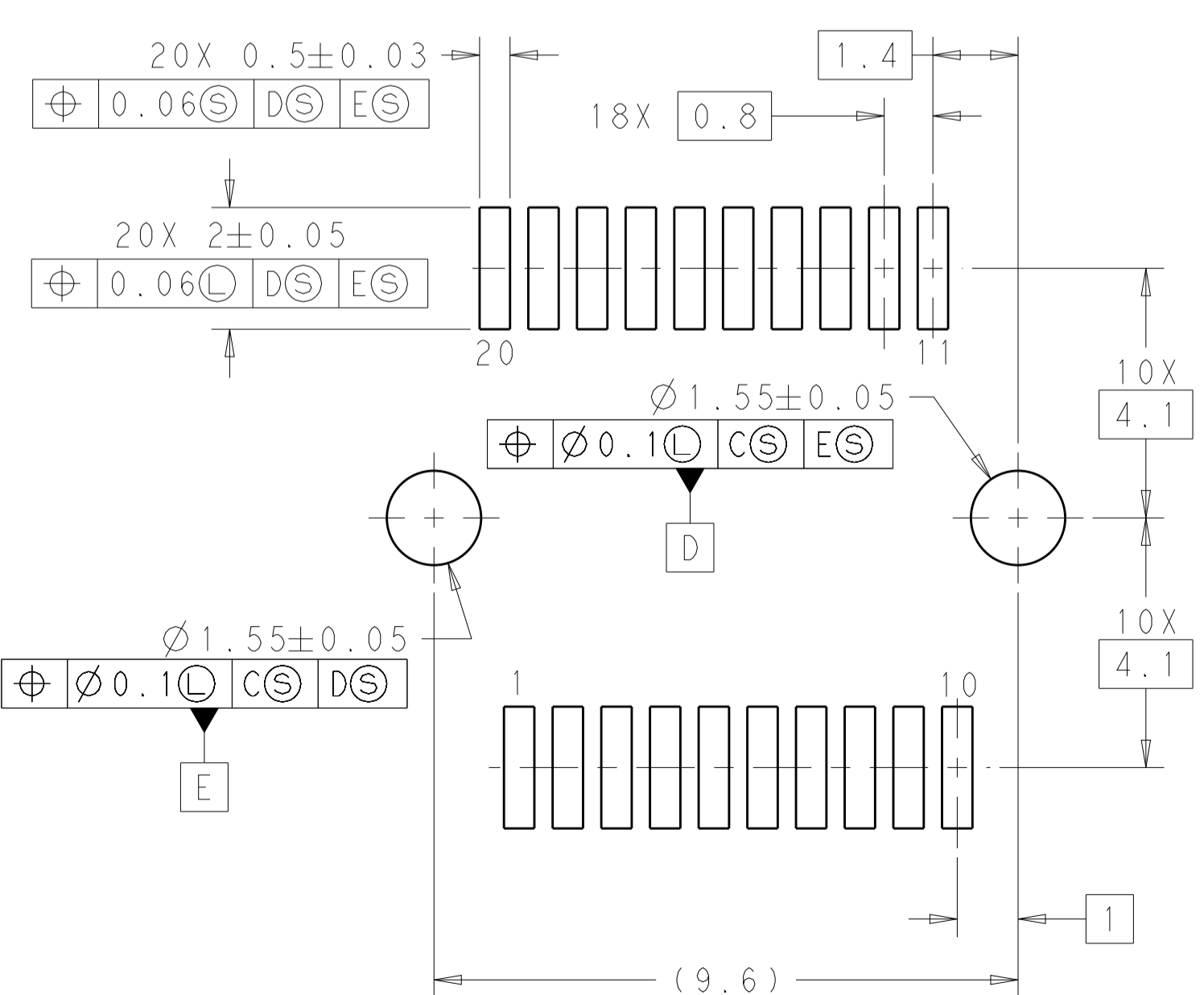
REVISIONS			
REV	DATE	BY	APPV
-	-	-	-
SEE SHEET 1			



DETAIL A
6X INDIVIDUALLY
SCALE 10:1



RECOMMENDED PCB CONFIGURATION
WITH KEEP-OUT AREAS
SINGLE SIDED APPLICATIONS
SCALE 4:1



DETAIL X
RECOMMENDED PT CONNECTOR LAYOUT
6X INDIVIDUALLY
SCALE 10:1

THIS DRAWING IS A CONTROLLED DOCUMENT.		OWN: B. MATTHEWS 20JUL2011	TE Connectivity
DIMENSIONS: mm		CHK: M. SCHMITT 20JUL2011	
TOLERANCES UNLESS OTHERWISE SPECIFIED:		APV: M. SCHMITT 20JUL2011	NAME: SFP+ ENHANCED 1X6 CAGE SUBASSEMBLY PRESS FIT, EMI GASKET
0 PLC ±0.1	1 PLC ±0.1	PRODUCT SPEC	SIZE: CAGE CODE DRAWING NO
2 PLC ±0.1	3 PLC ±0.1	APPLICATION SPEC	RESTRICTED TO
4 PLC ±0.1	ANGLES ±0.1	114-13120	A100779C=2180902
MATERIAL	FINISH	WEIGHT	SCALE 4:1 SHEET 2 OF 2 REV A
CUSTOMER DRAWING			

Mouser Electronics

Authorized Distributor

Click to View Pricing, Inventory, Delivery & Lifecycle Information:

[TE Connectivity:](#)

[2180902-1](#)