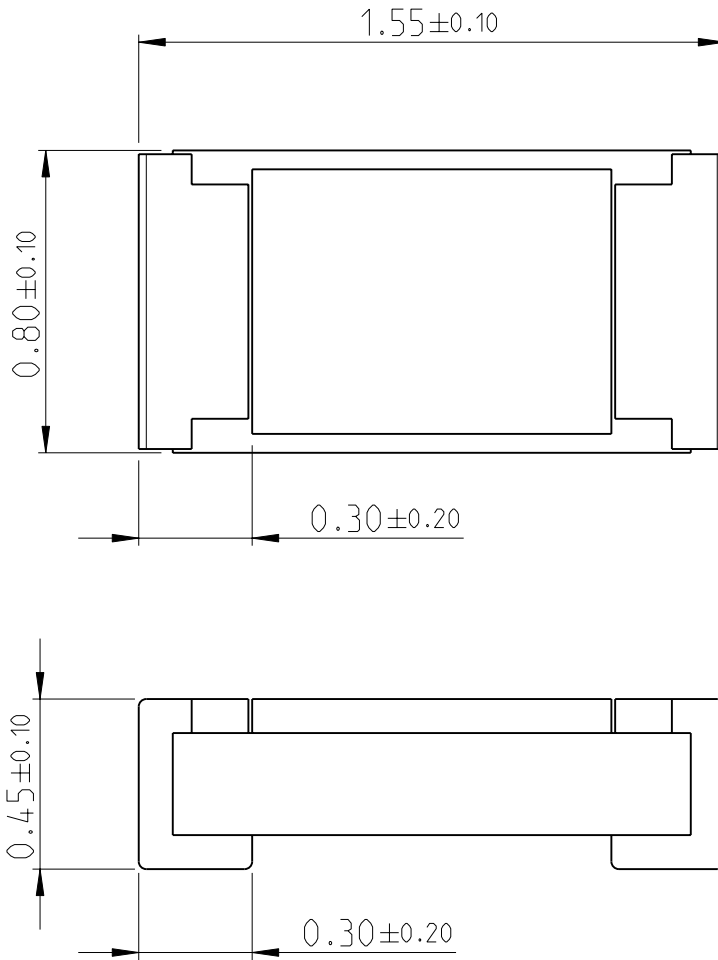
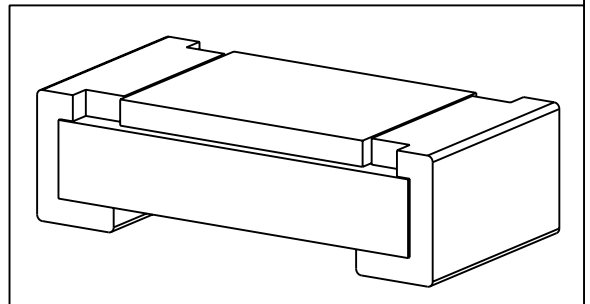


LOC	DIST	REVISIONS					
-	-	P	LTR	DESCRIPTION	DATE	DWN	APVD
		BA		NEW DRAWING	25APR2012	KR	St.P



FOR FURTHER INFORMATION SEE DATA SHEET FOR  
SMD HIGH POWER PRECISION RESISTORS - RP73 SERIES

RoHS Compliant



20


RELEASED FOR PUBLICATION

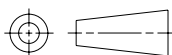
ALL RIGHTS RESERVED.

THIS DRAWING IS UNPUBLISHED.

BY -

© COPYRIGHT 20

DIMENSIONS: mm	DWN	RAGHAVENDRA K	25APR2012	MATERIAL	-	FINISH	-
	CHK	ALLAN P	25APR2012	 TE Connectivity			
TOLERANCES UNLESS OTHERWISE SPECIFIED:	APVD	STEPHEN.P	25APR2012				
	0 PLC ±	PRODUCT SPEC	-	SIZE	CAGE CODE	DRAWING NO	RESTRICTED TO
1 PLC ±0.5	APPLICATION SPEC	-	A 4	00779	©-2176087	-	
2 PLC ±0.13	WEIGHT	0.002 Gram	SCALE		40:1	SHEET	1 OF 1
3 PLC ±0.013	CUSTOMER DRAWING	SCALE		40:1	SHEET	1 OF 1	REV
4 PLC ±0.0001							BA
ANGLES ±							



# Mouser Electronics

Authorized Distributor

Click to View Pricing, Inventory, Delivery & Lifecycle Information:

[TE Connectivity:](#)

[5-2176087-3](#)