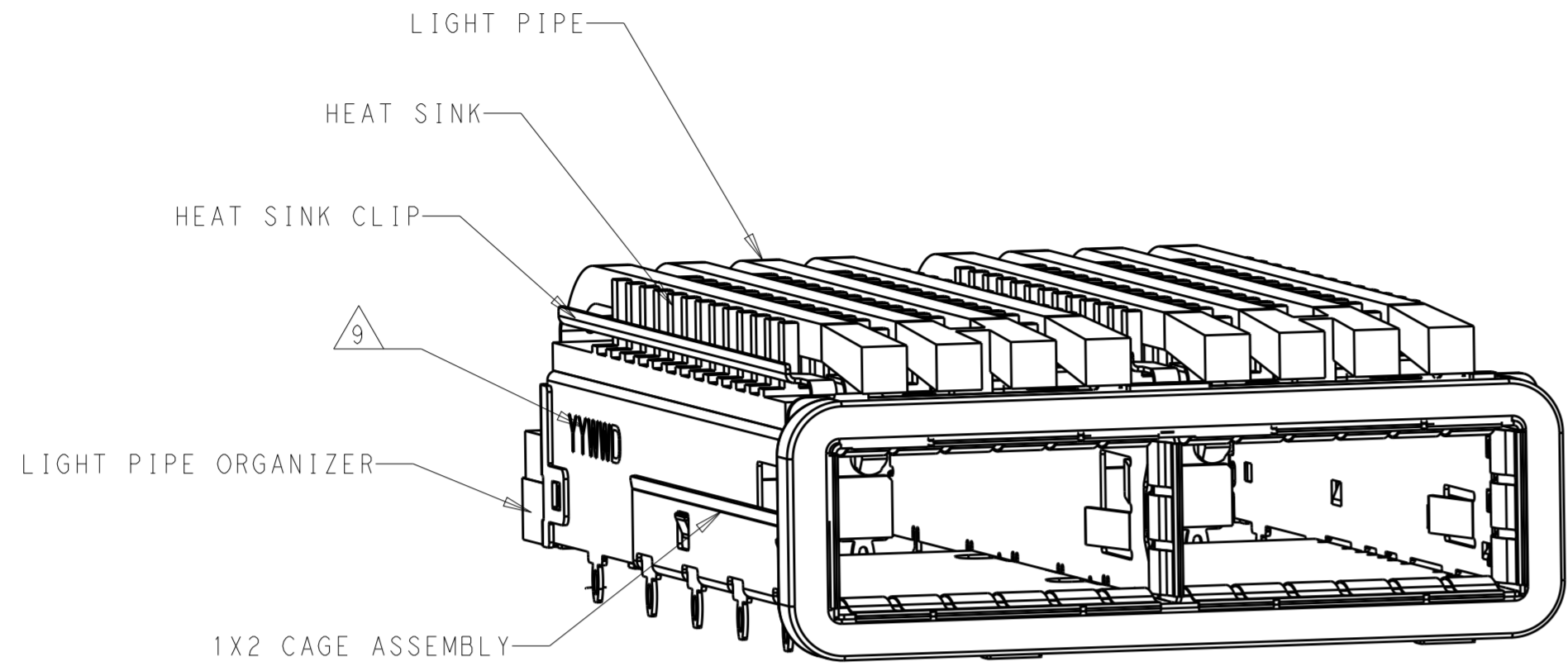


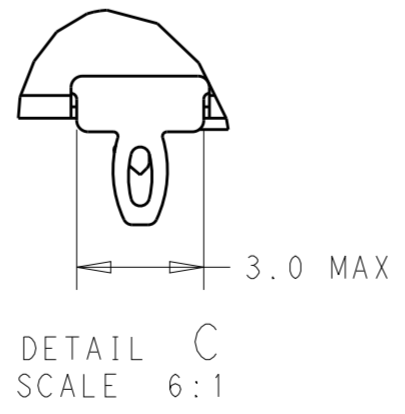
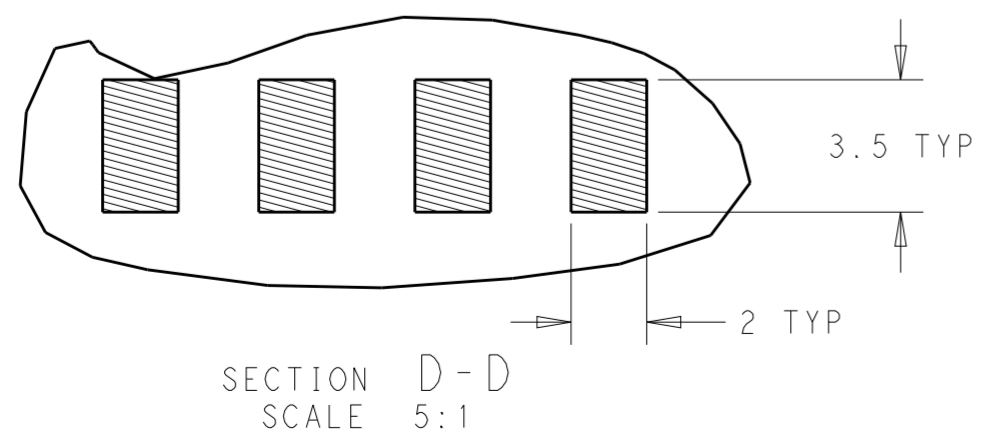
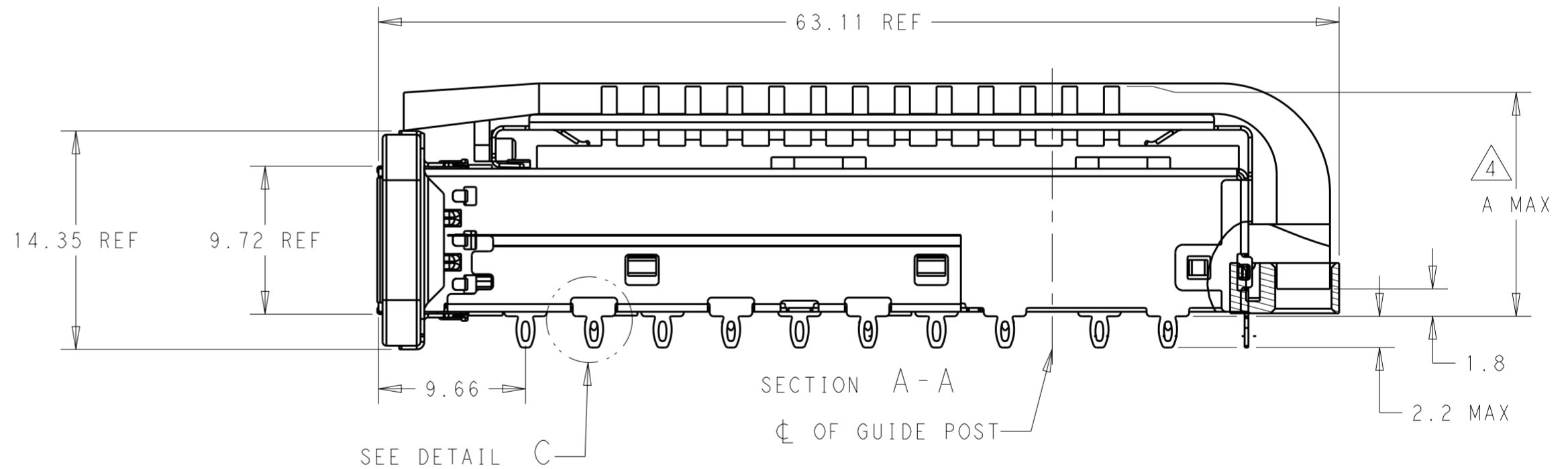
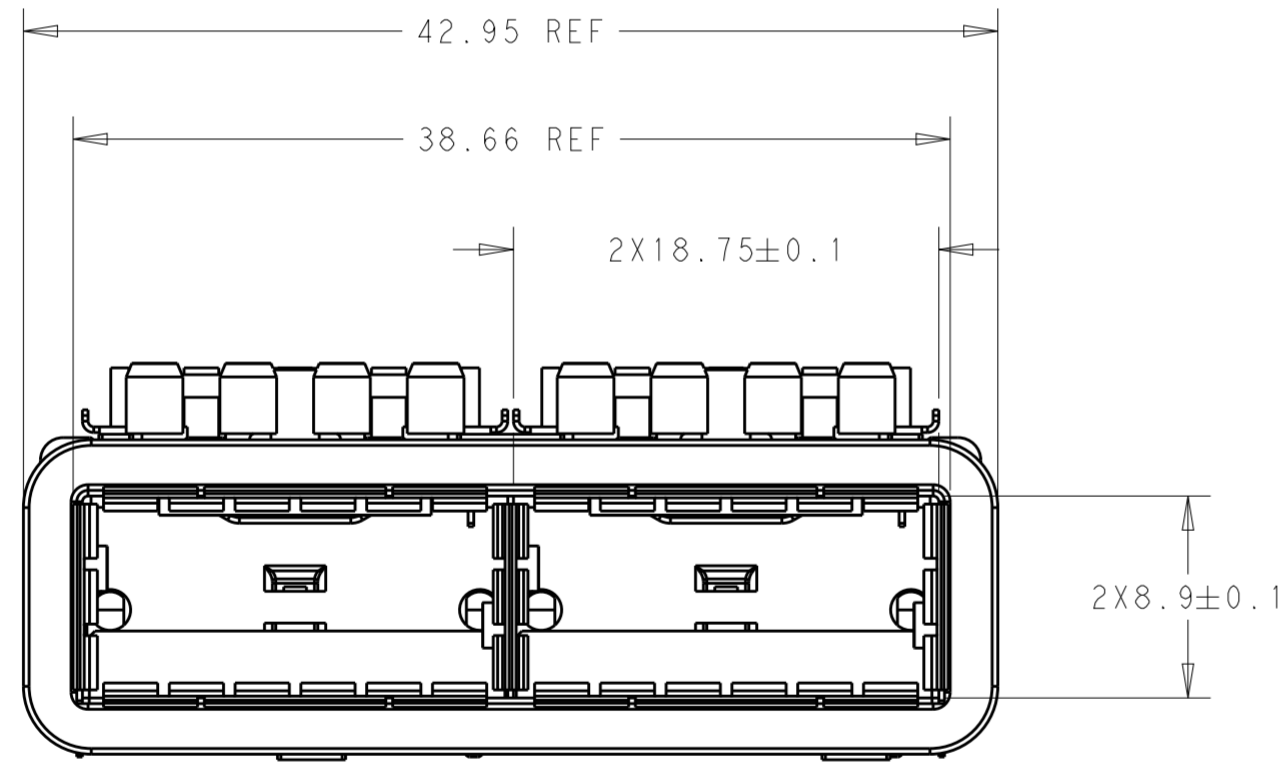
THIS DRAWING IS UNPUBLISHED. RELEASED FOR PUBLICATION 20  
 © COPYRIGHT 20 BY - ALL RIGHTS RESERVED.

LOC	DIST	REVISIONS					
GP	00	P	LTR	DESCRIPTION	DATE	DWN	APVD
			A	RELEASE	09NOV2016	JY	SH



PART NUMBER: 2170827-1

- COMPONENTS  
 CAGE ASSEMBLY: NICKEL-SILVER ALLOY  
 HEAT SINK: ALUMINUM/BLACK ANODIZE  
 HEAT SINK CLIP: STAINLESS STEEL  
 EMI SPRING: COPPER ALLOY/NICKEL PLATE  
 LIGHT PIPE: CLEAR POLYCARBONATE  
 EMI GASKET: PLATED FILLED SILICONE
- REFERENCE APPLICATION SPECIFICATION 114-32023 FOR RECOMMENDED DRILL HOLE DIAMETER AND PLATING THICKNESS
- DATUM AND BASIC DIMENSION ESTABLISHED BY CUSTOMER
- DIMENSION APPLIES WITH MODULE INSERTED IN CAGE
- HEAT SINKS, HEAT SINK CLIPS AND LIGHT PIPES ARE SHIPPED ASSEMBLED ON CAGE
- MINIMUM PC BOARD THICKNESS: SINGLE SIDED: 1.57 MIN  
 DOUBLE SIDED: 3.00 MIN
- DATUM **-A-** IS TOP SURFACE OF THE HOST BOARD.
- MATES WITH QSFP28 MSA COMPATIBLE TRANSCEIVER.
- DATE CODE (YYWWD) MARKED APPROXIMATELY AS SHOWN.
- NOTED DIMENSIONS ONLY APPLY TO CAGE ASSEMBLY WITH LIGHT PIPE.



CUSTOMERIZED HEAT SINK	N	20.0	2170827-4
CUSTOMERIZED HEAT SINK	Y	20.0	2170827-3
SAN HEAT SINK	N	16.0	2170827-2
SAN HEAT SINK	Y	16.0	2170827-1
HEAT SINK APPLICATION ORGANIZER		DIM A MAX	P/N

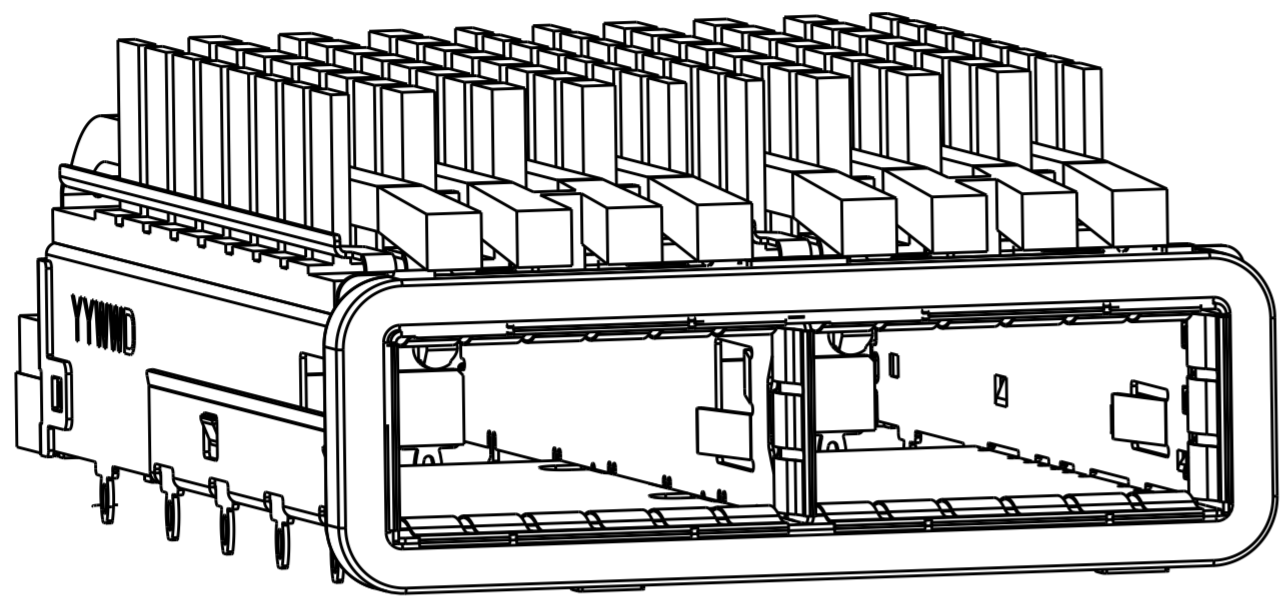
THIS DRAWING IS A CONTROLLED DOCUMENT.

DIMENSIONS: mm	TOLERANCES UNLESS OTHERWISE SPECIFIED: 0 PLC ± 1 PLC ±0.25 2 PLC ±0.2 3 PLC ± 4 PLC ± ANGLES ± FINISH ±	DWN JASON YANG 02NOV2015 CHK SEAN HAN 02NOV2015 APVD MARSHALL CHEN 02NOV2015	NAME RECEPTACLE CAGE ASSEMBLY WITH HEAT SINKS AND LIGHT PIPES, THRU BEZEL, 1X2, QSFP28, GASKET
MATERIAL SEE NOTES	SEE NOTES	PRODUCT SPEC 108-19428 APPLICATION SPEC 114-32023 WEIGHT -	SIZE A200779 CAGE CODE C-2170827 DRAWING NO C-2170827
CUSTOMER DRAWING		SCALE 3:1	SHEET 1 OF 8 REV A

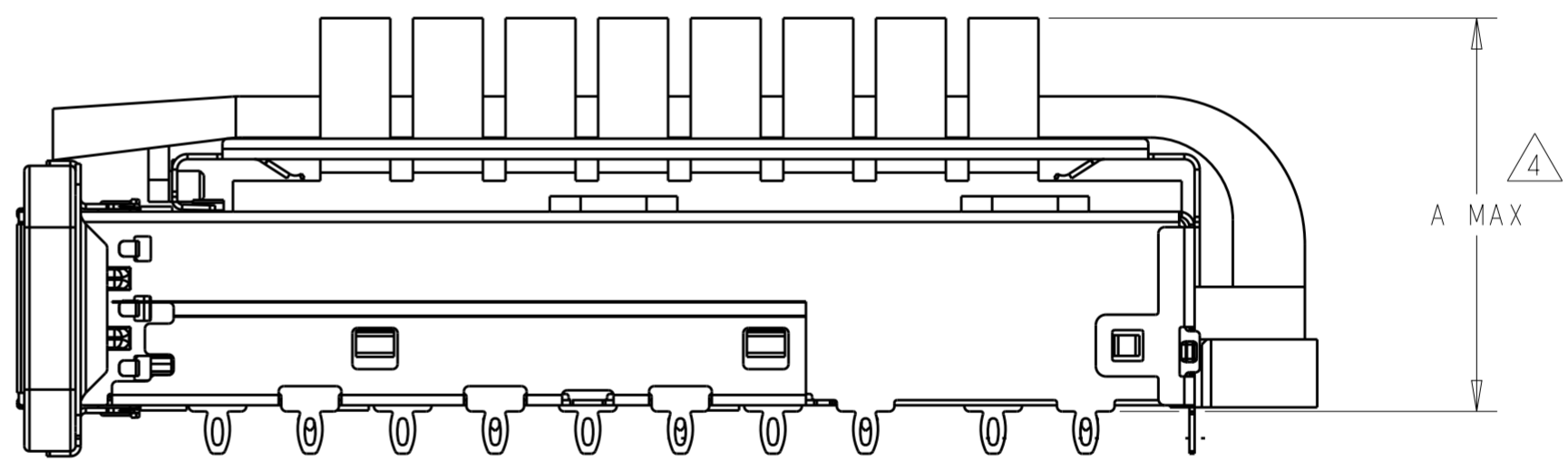
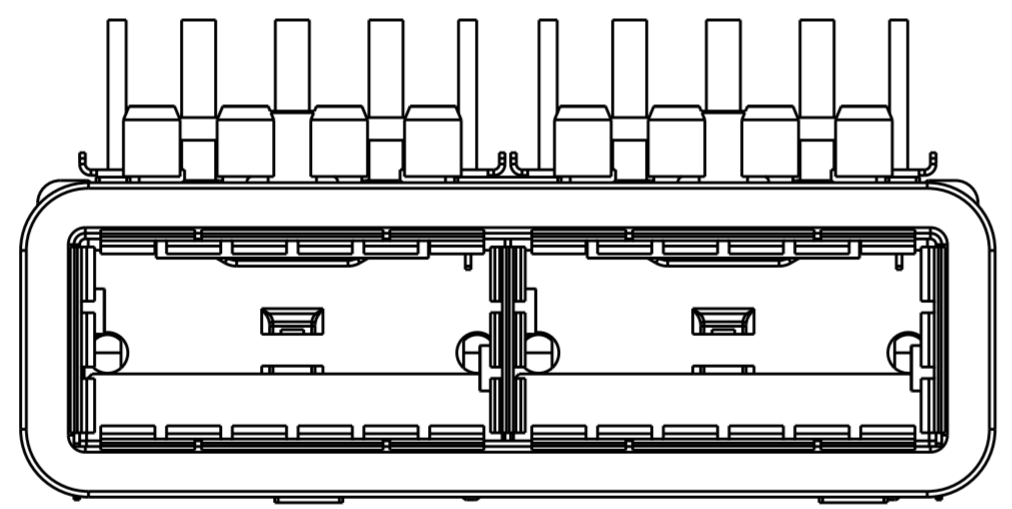
STE TE Connectivity

THIS DRAWING IS UNPUBLISHED. RELEASED FOR PUBLICATION 20  
 © COPYRIGHT 20 BY - ALL RIGHTS RESERVED.


LOC		DIST		REVISIONS			
P	LTR	DESCRIPTION	DATE	DWN	APVD		
-		SEE SHEET 1	-	-	-		



2170827-3 WITH CUSTOMIZED HEAT SINK  
 SCALE 3:1

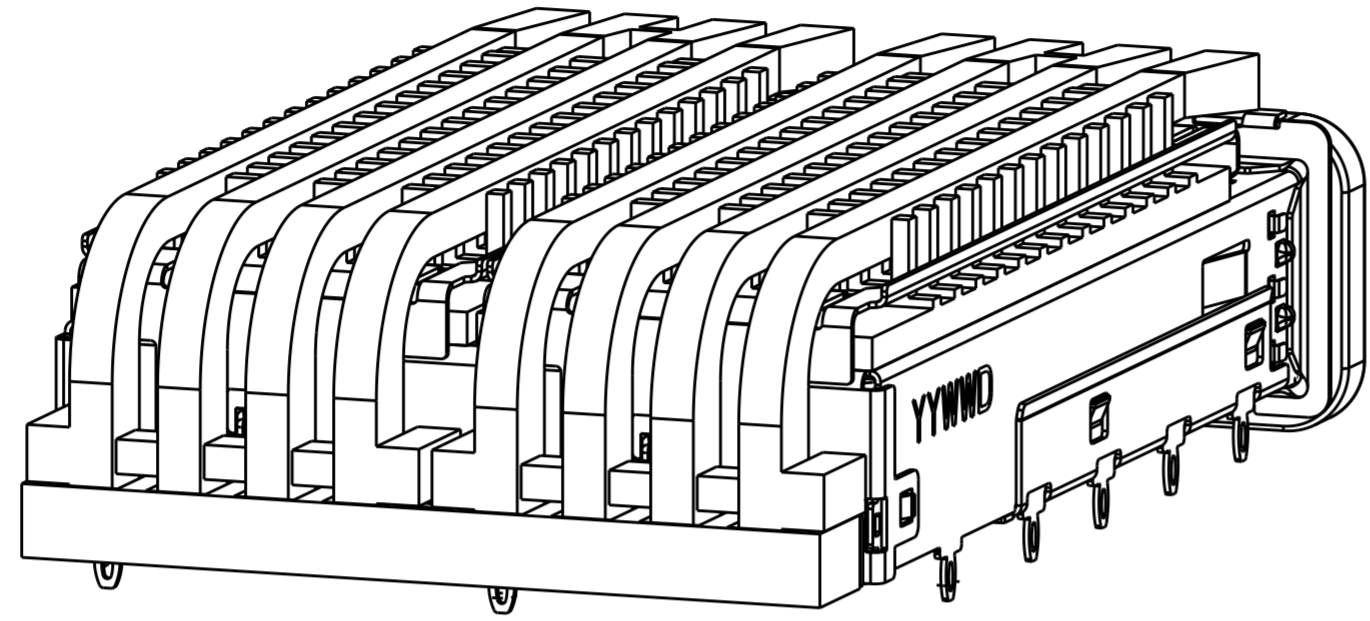


2170827-3 AS SHOWN  
 OTHER DIMENSIONS ARE SAME AS 2170827-1

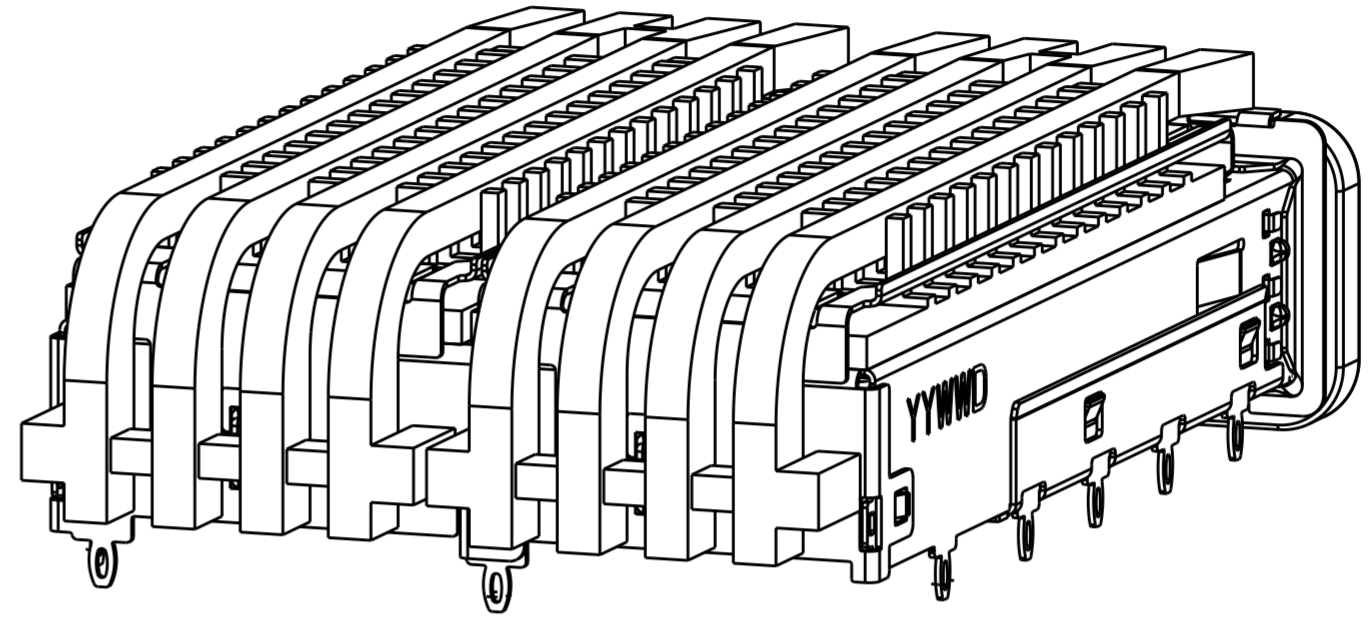
THIS DRAWING IS A CONTROLLED DOCUMENT.		DWN 02NOV2015 JASON YANG	 TE Connectivity													
DIMENSIONS: mm		CHK 02NOV2015 SEAN HAN														
TOLERANCES UNLESS OTHERWISE SPECIFIED:		APVD 02NOV2015 MARSHALL CHEN	NAME RECEPTACLE CAGE ASSEMBLY WITH HEAT SINKS AND LIGHT PIPES, THRU BEZEL, 1X2, QSFP28, GASKET													
<table border="1"> <tr><td>0 PLC</td><td>±</td></tr> <tr><td>1 PLC</td><td>±0.25</td></tr> <tr><td>2 PLC</td><td>±0.2</td></tr> <tr><td>3 PLC</td><td>±</td></tr> <tr><td>4 PLC</td><td>±</td></tr> <tr><td>ANGLES</td><td>±</td></tr> </table>		0 PLC	±	1 PLC	±0.25	2 PLC	±0.2	3 PLC	±	4 PLC	±	ANGLES	±	PRODUCT SPEC 108-19428	SIZE 114-32023	RESTRICTED TO -
0 PLC	±															
1 PLC	±0.25															
2 PLC	±0.2															
3 PLC	±															
4 PLC	±															
ANGLES	±															
MATERIAL SEE NOTES material_2	FINISH SEE NOTES finish_spec_2	APPLICATION SPEC 114-32023	WEIGHT -	SCALE 3:1												
		CUSTOMER DRAWING	SIZE A200779	CAGE CODE C-2170827												
			DRAWING NO C-2170827	SHEET 1 OF 8												
				REV A												

THIS DRAWING IS UNPUBLISHED. RELEASED FOR PUBLICATION 20  
 © COPYRIGHT 20 BY - ALL RIGHTS RESERVED.

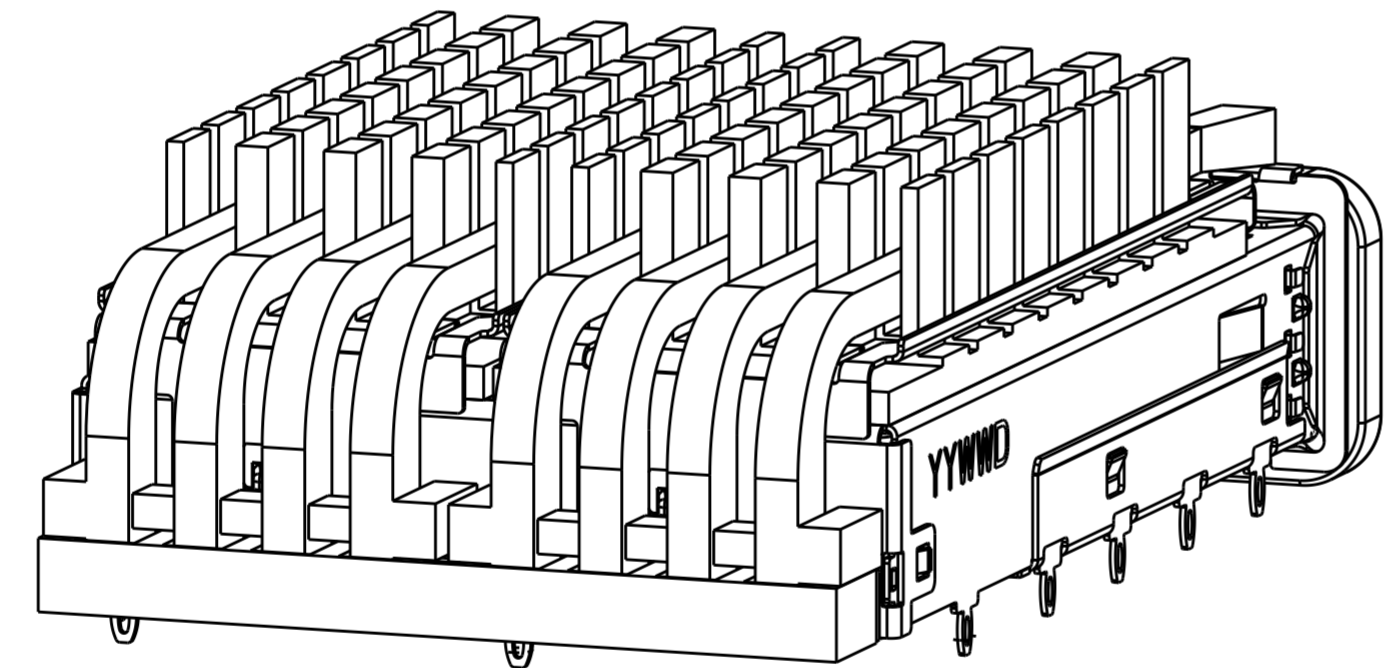
LOC		DIST		REVISIONS			
P	LTR	DESCRIPTION		DATE	DWN	APVD	
-		SEE SHEET 1		-	-	-	



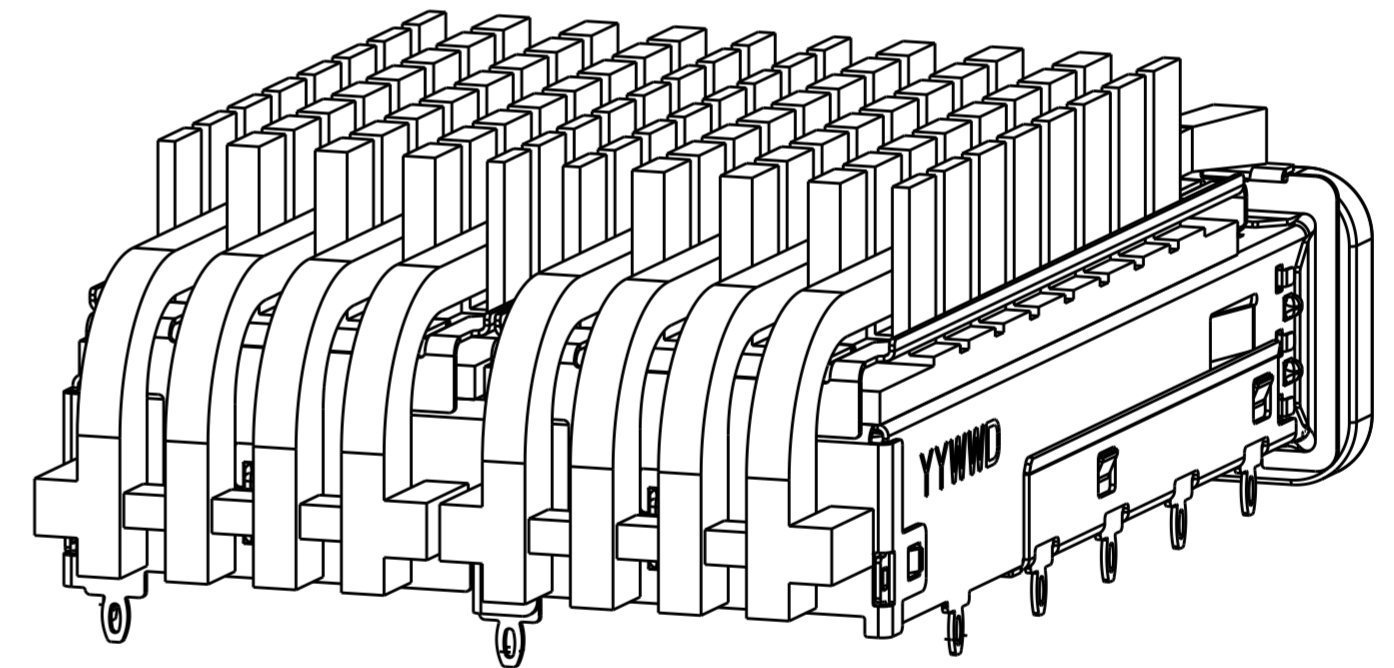
SCALE 3:1  
2170827-1 AS SHOWN




SCALE 3:1  
2170827-2 AS SHOWN



SCALE 3:1  
2170827-3 AS SHOWN

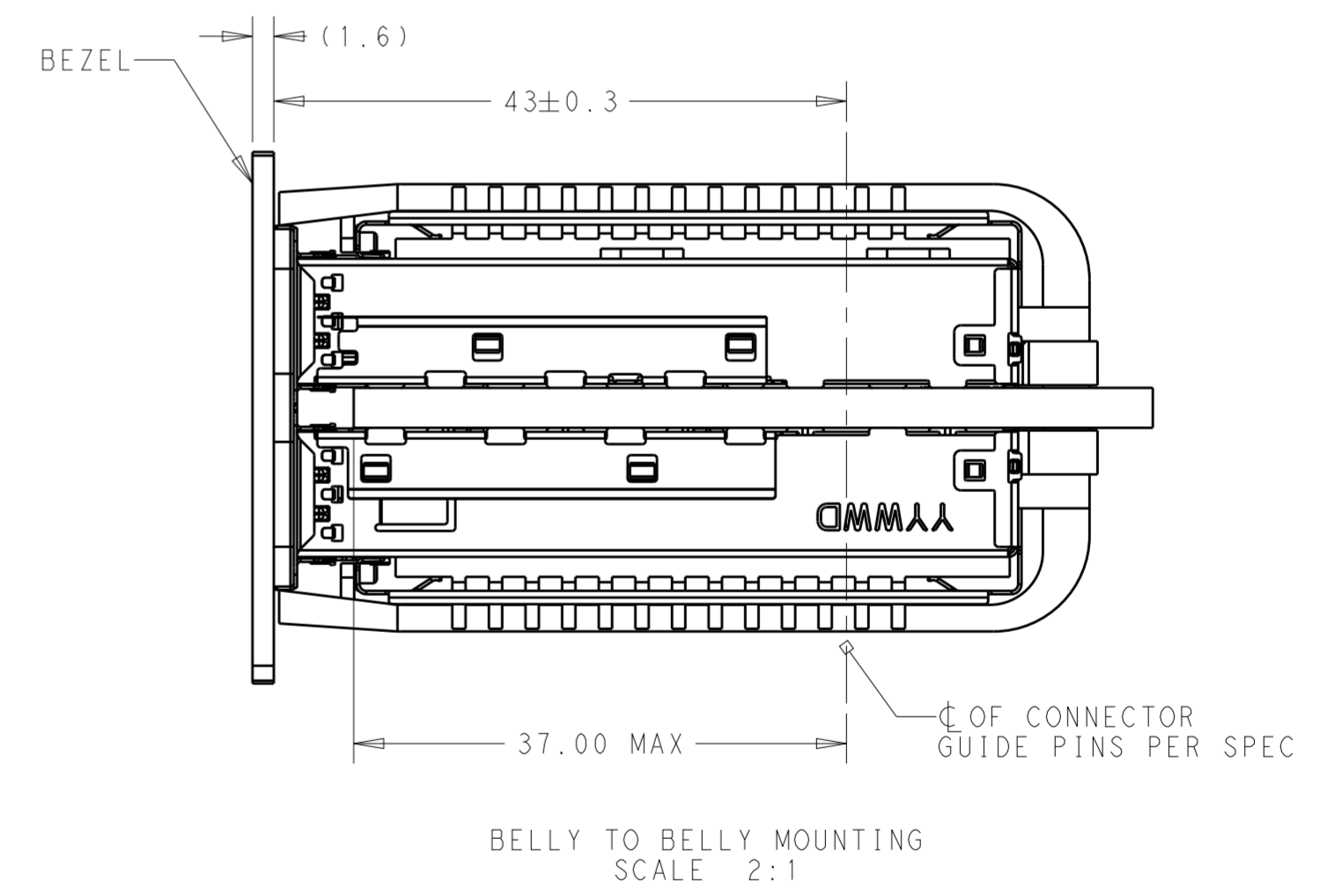
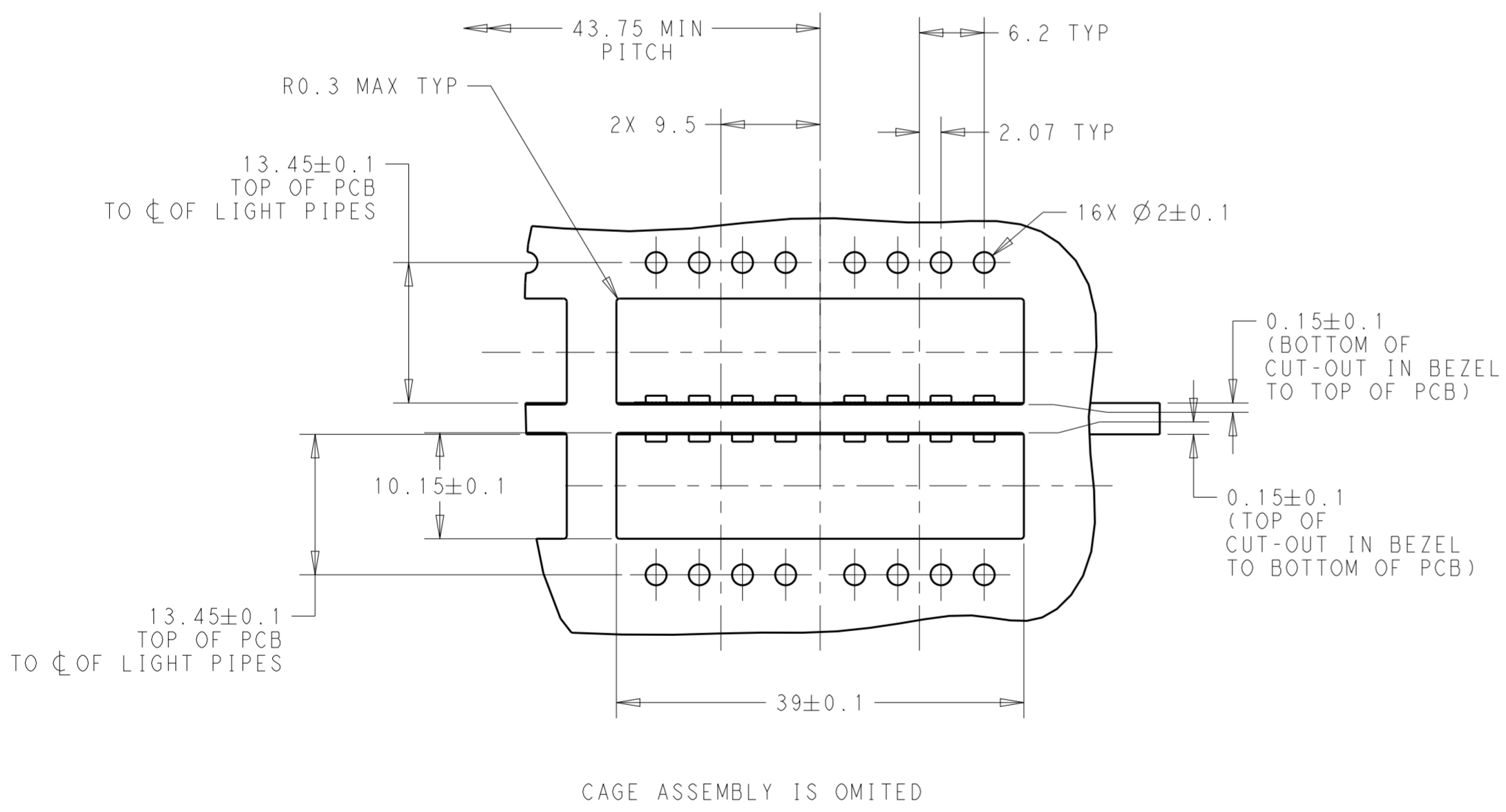
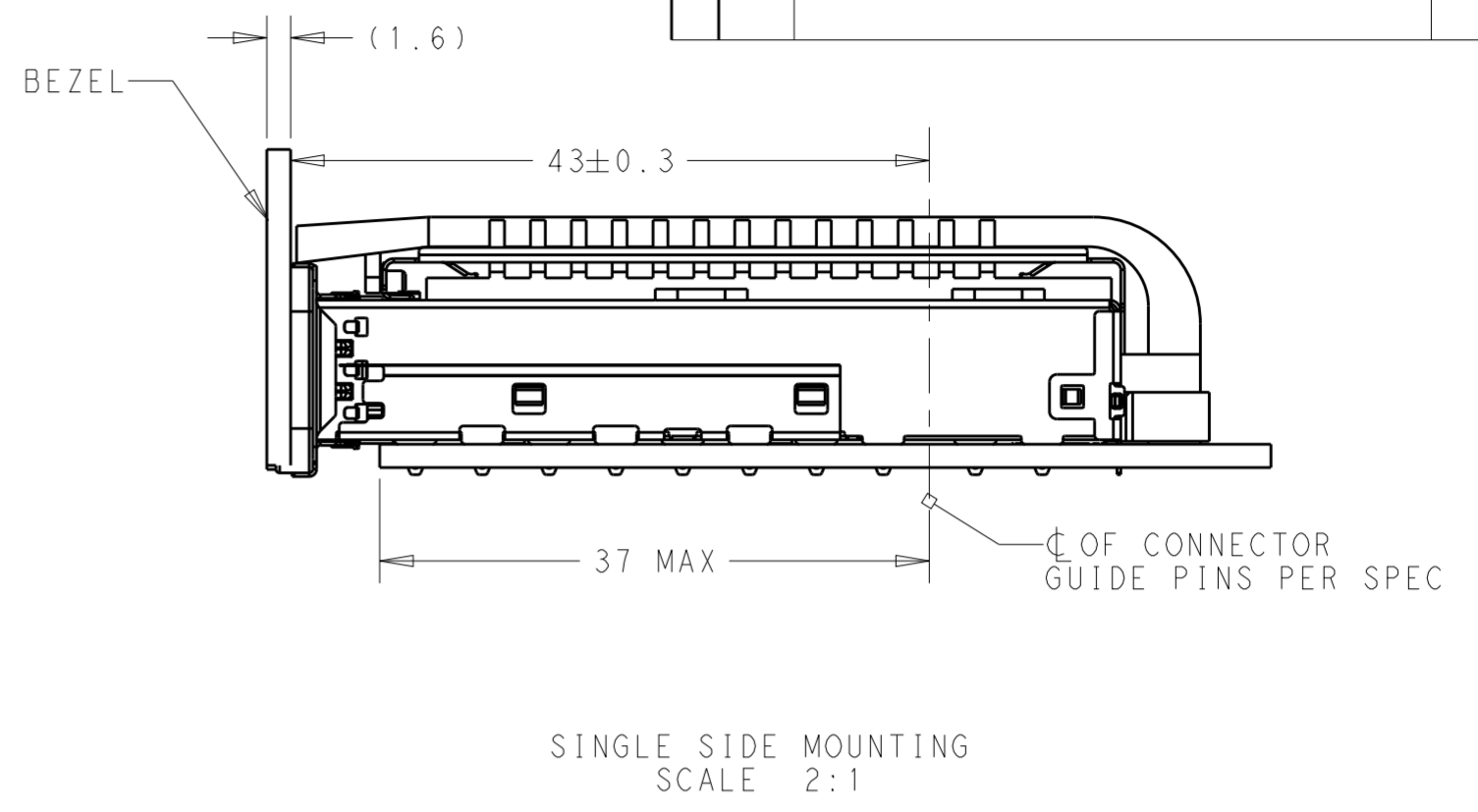
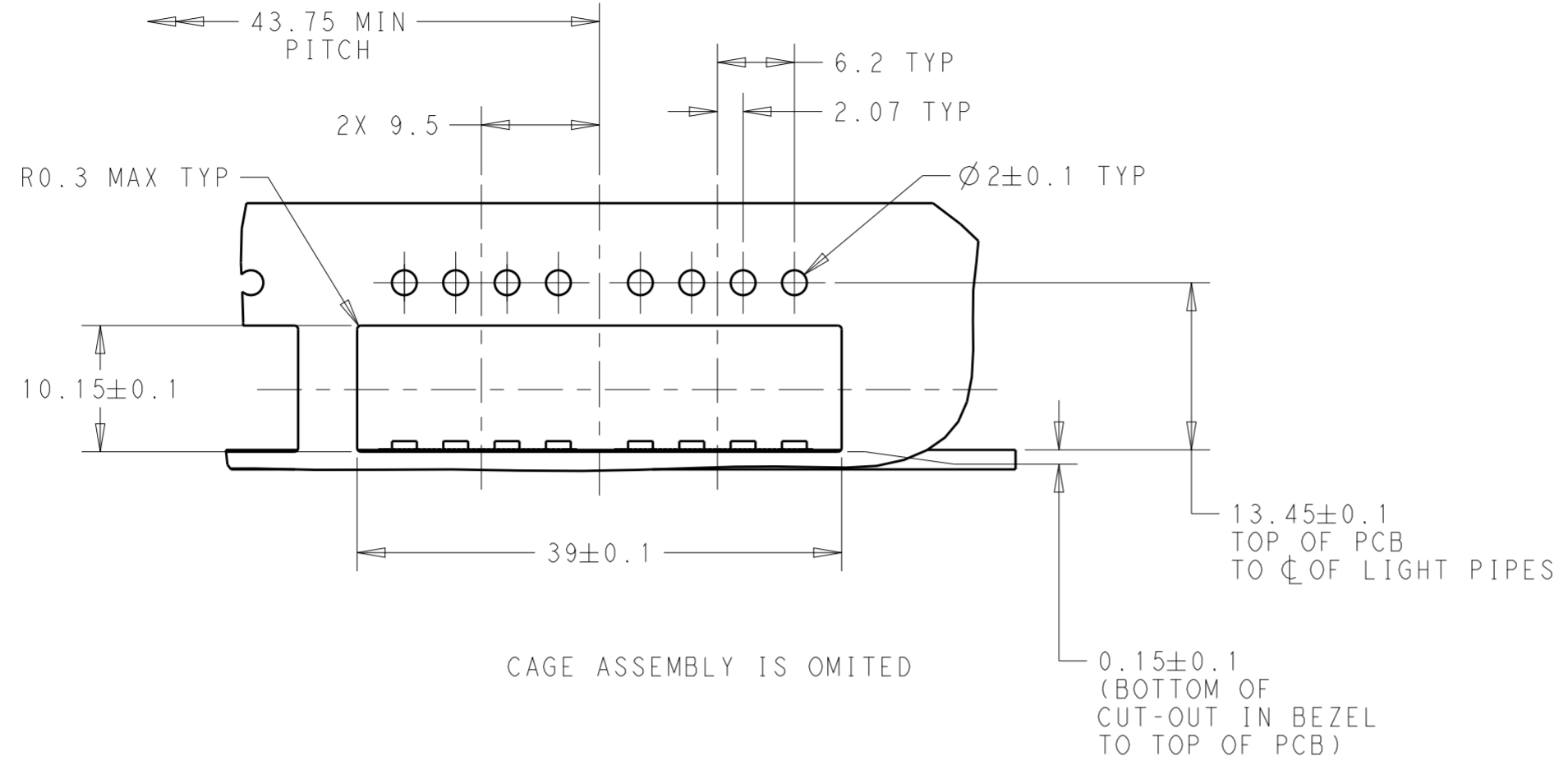


SCALE 3:1  
2170827-4 AS SHOWN

THIS DRAWING IS A CONTROLLED DOCUMENT.		DWN JASON YANG 02NOV2015		TE Connectivity	
DIMENSIONS: mm		CHK SEAN HAN 02NOV2015		NAME RECEPTACLE CAGE ASSEMBLY WITH HEAT SINKS AND LIGHT PIPES, THRU BEZEL, 1X2, QSFP28, GASKET	
TOLERANCES UNLESS OTHERWISE SPECIFIED: 0 PLC ± 1 PLC ±0.25 2 PLC ±0.2 3 PLC ± 4 PLC ± ANGLES ± FINISH		APVD MARSHALL CHEN 02NOV2015	PRODUCT SPEC 108-19428		
MATERIAL SEE NOTES material_2		APPLICATION SPEC 114-32023	SIZE A200779	CAGE CODE C-2170827	DRAWING NO G-2170827
FINISH SEE NOTES finish_spec_2		WEIGHT -	RESTRICTED TO -		SCALE 3:1 SHEET 1 OF 8 REV A
		CUSTOMER DRAWING			

THIS DRAWING IS UNPUBLISHED. RELEASED FOR PUBLICATION 20  
 © COPYRIGHT 20 BY - ALL RIGHTS RESERVED.

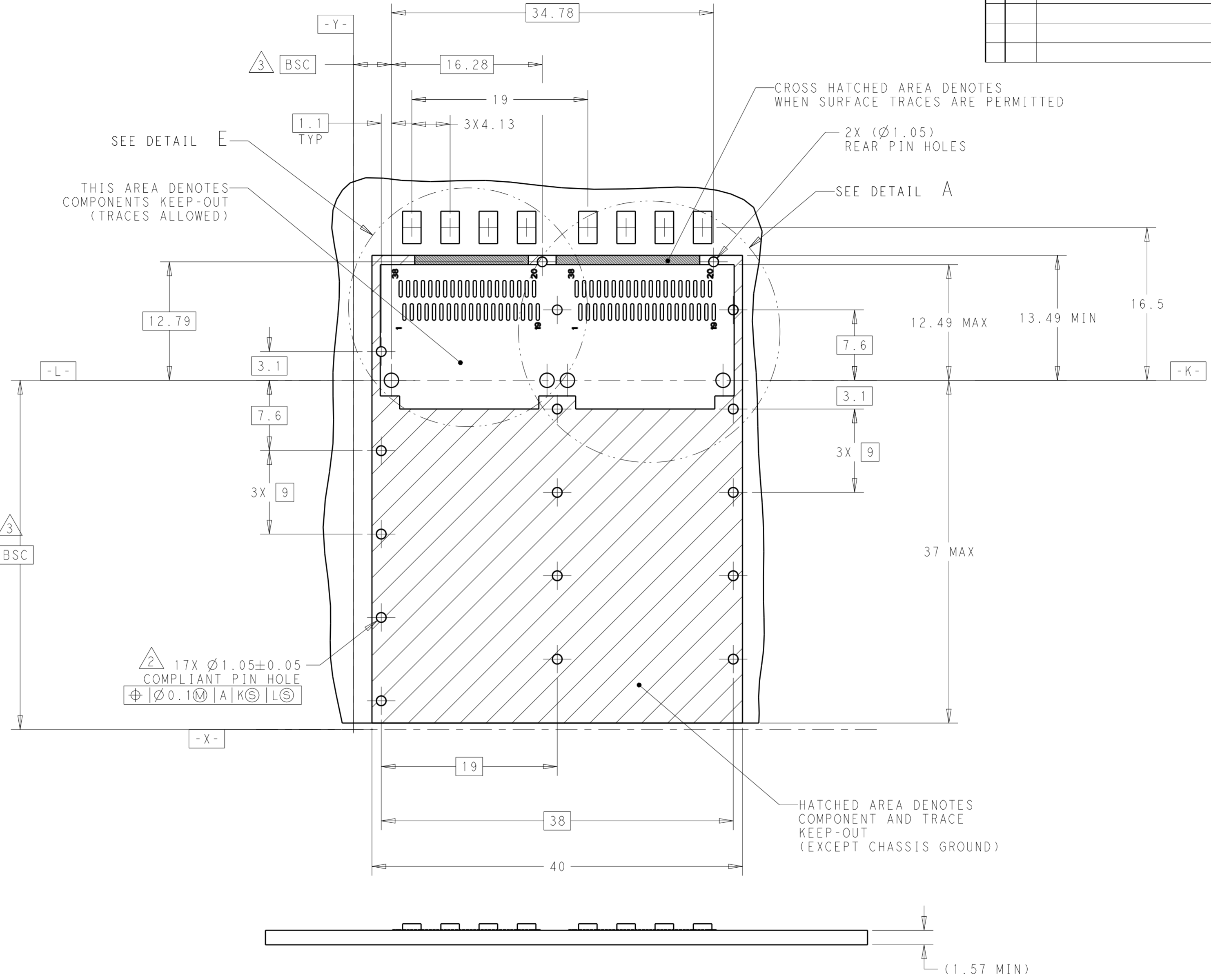
LOC		DIST		REVISIONS			
P	LTR	DESCRIPTION	DATE	DWN	APVD		
-	-	SEE SHEET 1	-	-	-		



THIS DRAWING IS A CONTROLLED DOCUMENT.		DWN JASON YANG 02NOV2015	<b>STE</b> TE Connectivity	
DIMENSIONS: mm		CHK SEAN HAN 02NOV2015		
TOLERANCES UNLESS OTHERWISE SPECIFIED:		APVD MARSHALL CHEN 02NOV2015	NAME RECEPTACLE CAGE ASSEMBLY WITH HEAT SINKS AND LIGHT PIPES, THRU BEZEL, 1X2, QSFP28, GASKET	
0 PLC ± 1 PLC ±0.25 2 PLC ±0.2 3 PLC ± 4 PLC ± ANGLES ±		PRODUCT SPEC 108-19428	SIZE A200779	
MATERIAL SEE NOTES material_2		APPLICATION SPEC 114-32023	DRAWING NO C-2170827	
FINISH SEE NOTES finish_spec_2		WEIGHT -	RESTRICTED TO -	
CUSTOMER DRAWING		SCALE 3:1	SHEET 1 OF 8 REV A	

THIS DRAWING IS UNPUBLISHED. RELEASED FOR PUBLICATION 20  
 © COPYRIGHT 20 BY - ALL RIGHTS RESERVED.

LOC	DIST	REVISIONS			
P	LTR	DESCRIPTION	DATE	DWN	APVD
-	-	SEE SHEET 1	-	-	-



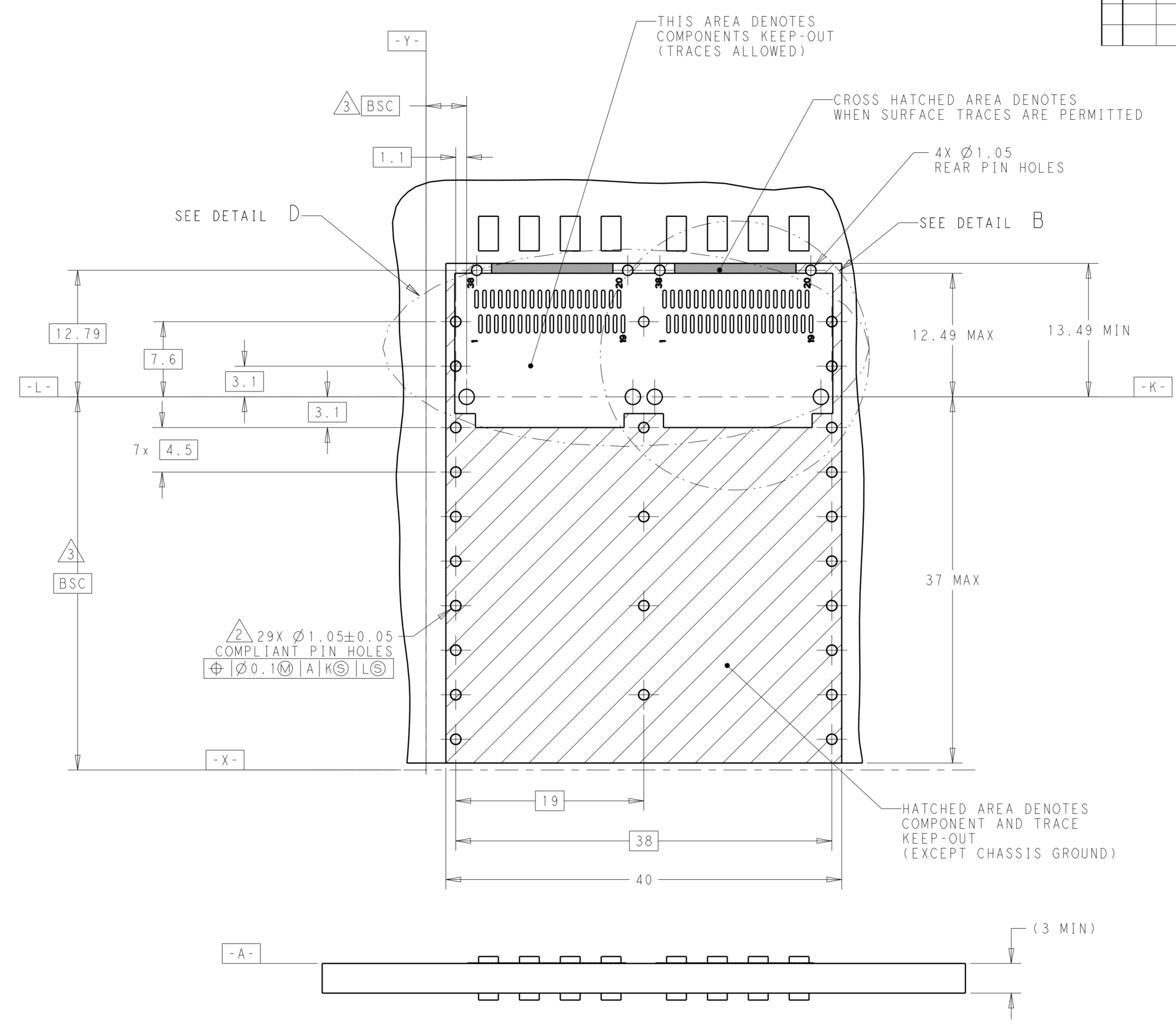
2 17X Ø1.05±0.05  
 COMPLIANT PIN HOLE  
 Ⓢ | Ⓢ0.1 | Ⓢ | A | K | Ⓢ | L | Ⓢ

RECOMMENDED PCB LAYOUT  
 SINGLE TYPE  
 PCB TOLERANCE: ±0.05  
 SCALE 3:1

THIS DRAWING IS A CONTROLLED DOCUMENT.		DWN 02NOV2015 JASON YANG	 TE Connectivity	NAME		
DIMENSIONS: mm		CHK 02NOV2015 SEAN HAN		RECEPTACLE CAGE ASSEMBLY WITH HEAT SINKS AND LIGHT PIPES, THRU BEZEL, 1X2, QSFP28, GASKET		
TOLERANCES UNLESS OTHERWISE SPECIFIED:		APVD 02NOV2015 MARSHALL CHEN		SIZE	CAGE CODE	DRAWING NO
0 PLC ± 1 PLC ±0.25 2 PLC ±0.2 3 PLC ± 4 PLC ± ANGLES ±		PRODUCT SPEC 108-19428		A2	00779	C-2170827
MATERIAL SEE NOTES material_2		FINISH SEE NOTES finish_spec_2	APPLICATION SPEC 114-32023	RESTRICTED TO		
		WEIGHT -	CUSTOMER DRAWING	SCALE 3:1	SHEET 1 OF 8 REV A	

THIS DRAWING IS UNPUBLISHED. RELEASED FOR PUBLICATION 20  
 © COPYRIGHT 20 BY - ALL RIGHTS RESERVED.

LOC	DIST	REVISIONS			
P	LTR	DESCRIPTION	DATE	DWN	APVD
-	-	SEE SHEET 1	-	-	-



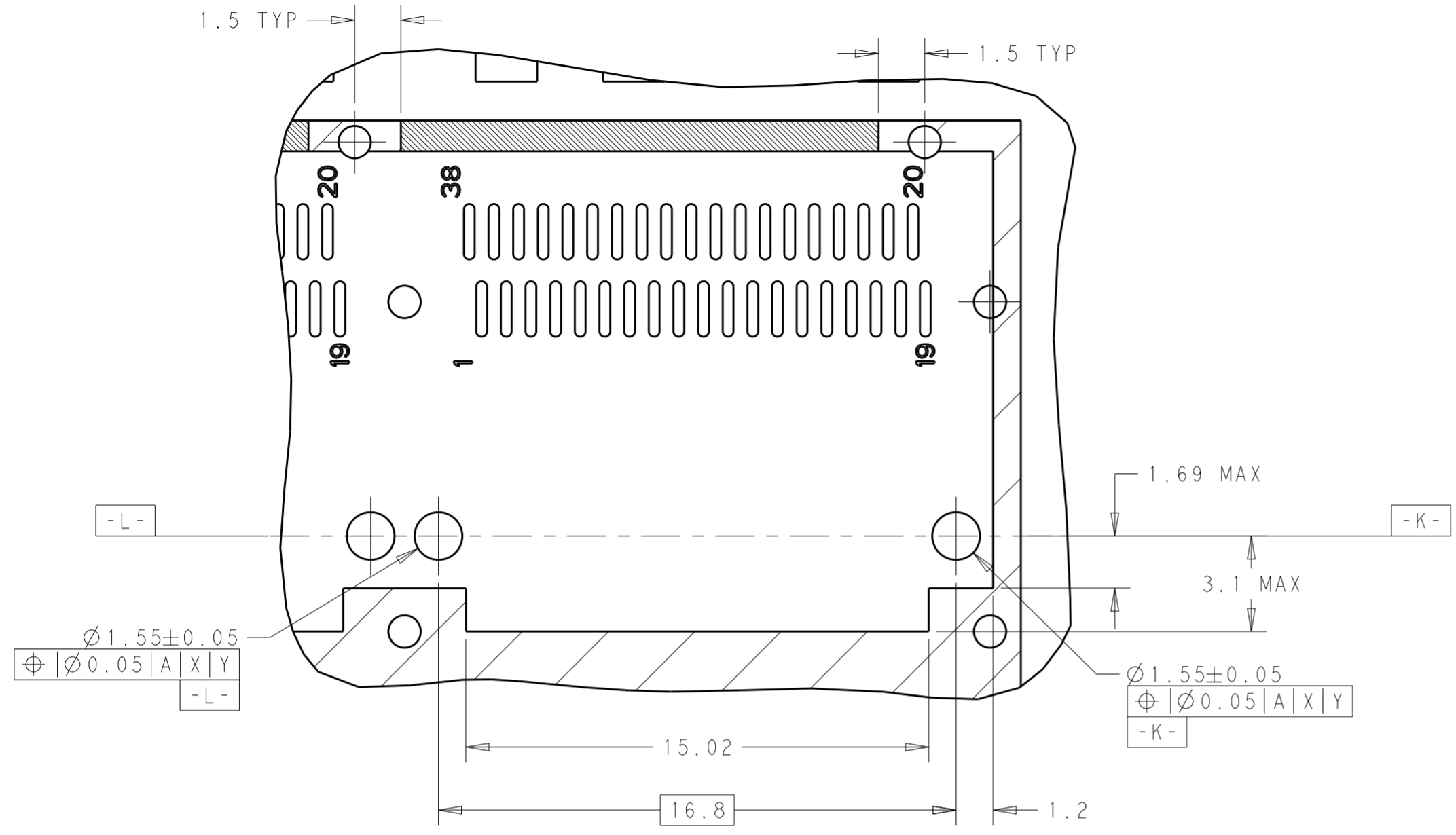
2 29X  $\phi 1.05 \pm 0.05$   
 COMPLIANT PIN HOLES  
 $\phi \pm 0.1$  M | A | K | S | L

RECOMMENDED PCB LAYOUT  
 BELLY TO BELLY TYPE  
 PCB TOLERANCE:  $\pm 0.05$   
 SCALE 3:1

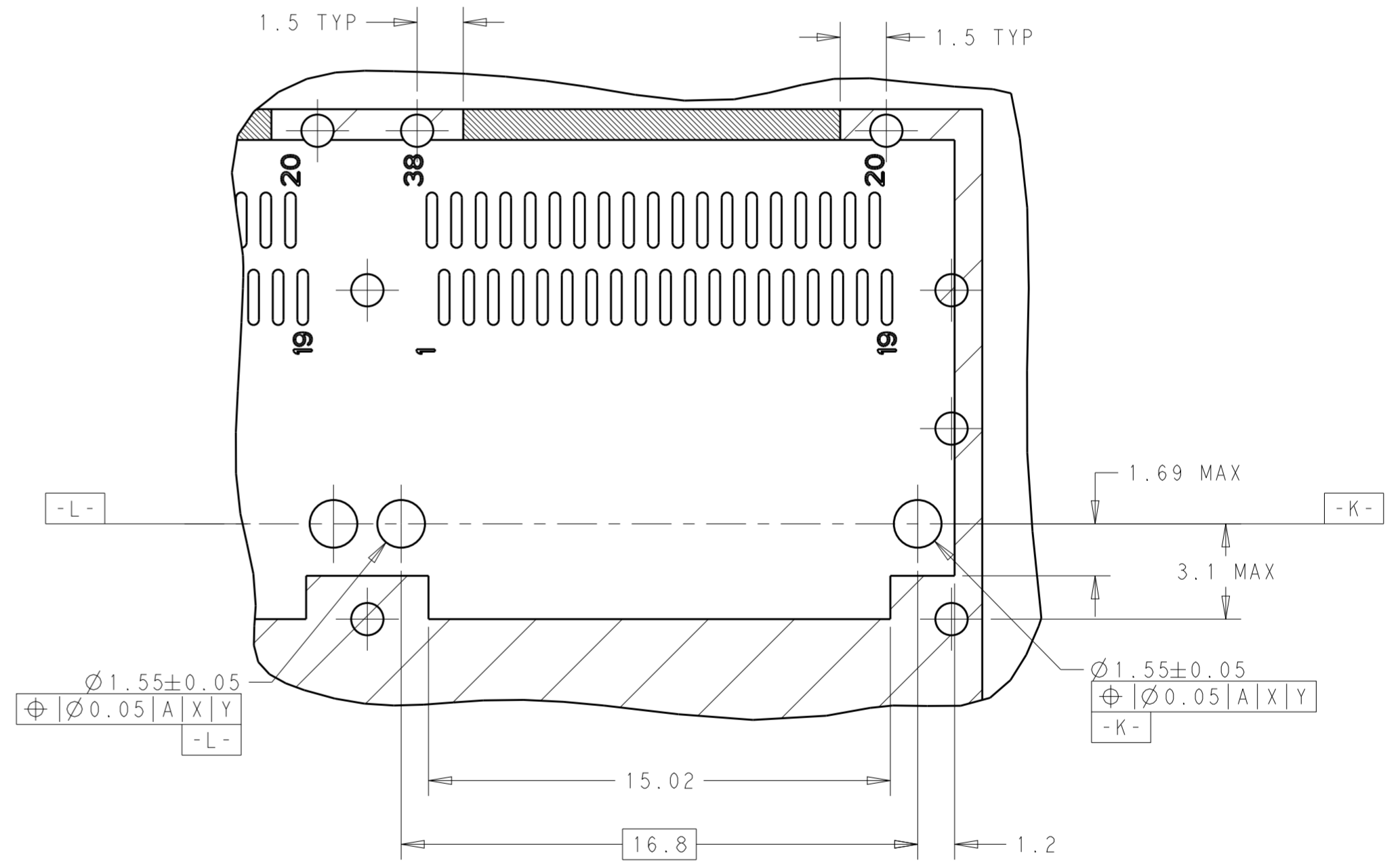
THIS DRAWING IS A CONTROLLED DOCUMENT.		DWN JASON YANG 02NOV2015	TE Connectivity	
DIMENSIONS: mm		CHK SEAN HAN 02NOV2015		
TOLERANCES UNLESS OTHERWISE SPECIFIED:		APVD MARSHALL CHEN 02NOV2015	NAME RECEPTACLE CAGE ASSEMBLY WITH HEAT SINKS AND LIGHT PIPES, THRU BEZEL, 1X2, QSFP28, GASKET	
0 PLC $\pm$ 1 PLC $\pm 0.25$ 2 PLC $\pm 0.2$ 3 PLC $\pm$ 4 PLC $\pm$ ANGLES $\pm$		PRODUCT SPEC 108-19428	SIZE A200779	
MATERIAL SEE NOTES material_2		APPLICATION SPEC 114-32023	DRAWING NO C-2170827	
FINISH SEE NOTES finish_spec_2		WEIGHT -	RESTRICTED TO -	
CUSTOMER DRAWING		SCALE 3:1	SHEET 1 OF 8	
				REV A

THIS DRAWING IS UNPUBLISHED. RELEASED FOR PUBLICATION 20  
 © COPYRIGHT 20 BY - ALL RIGHTS RESERVED.

LOC	DIST	REVISIONS			
P	LTR	DESCRIPTION	DATE	DWN	APVD
-	-	SEE SHEET 1	-	-	-



DETAIL A  
SCALE 6:1

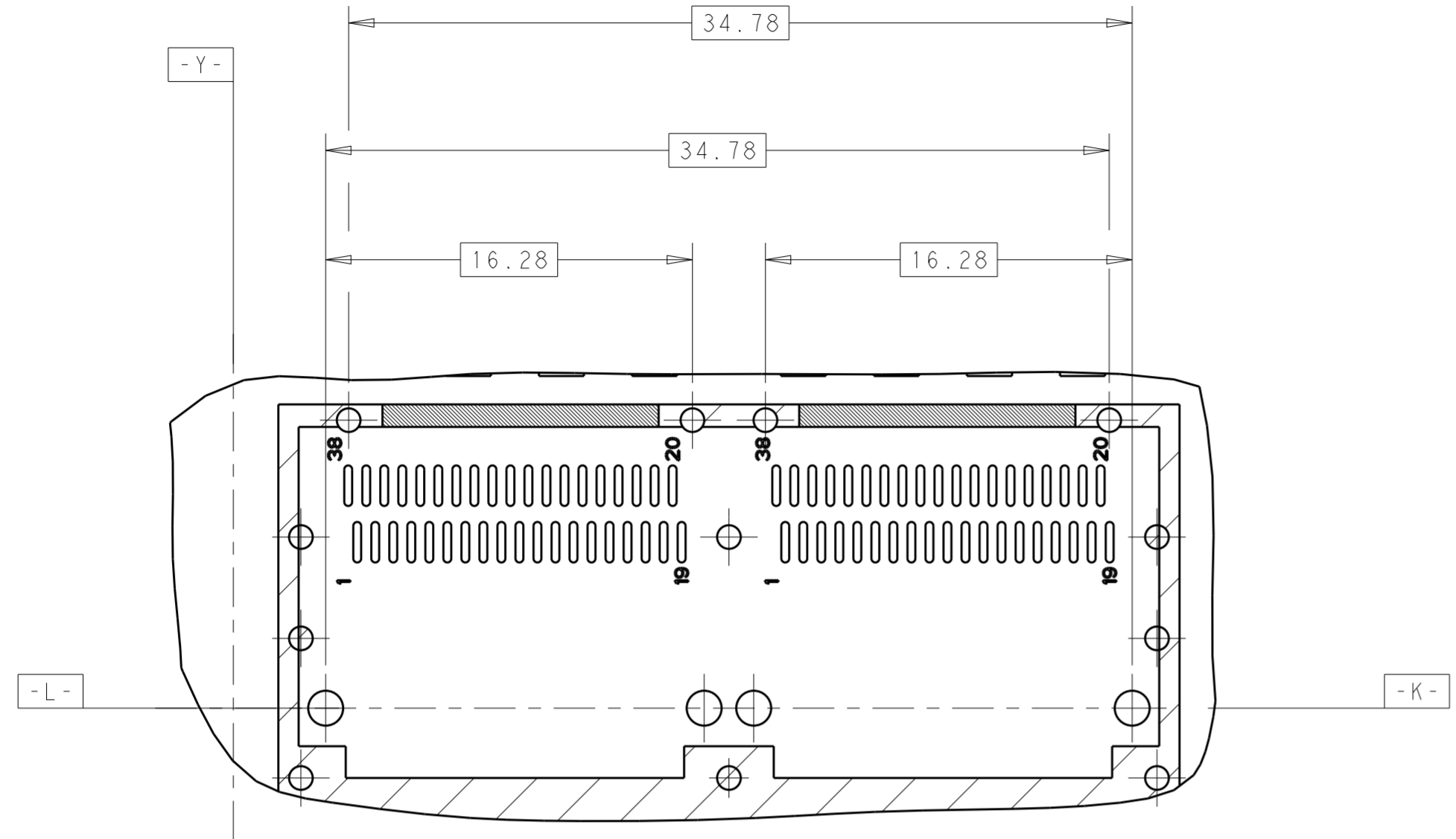


DETAIL B  
SCALE 6:1

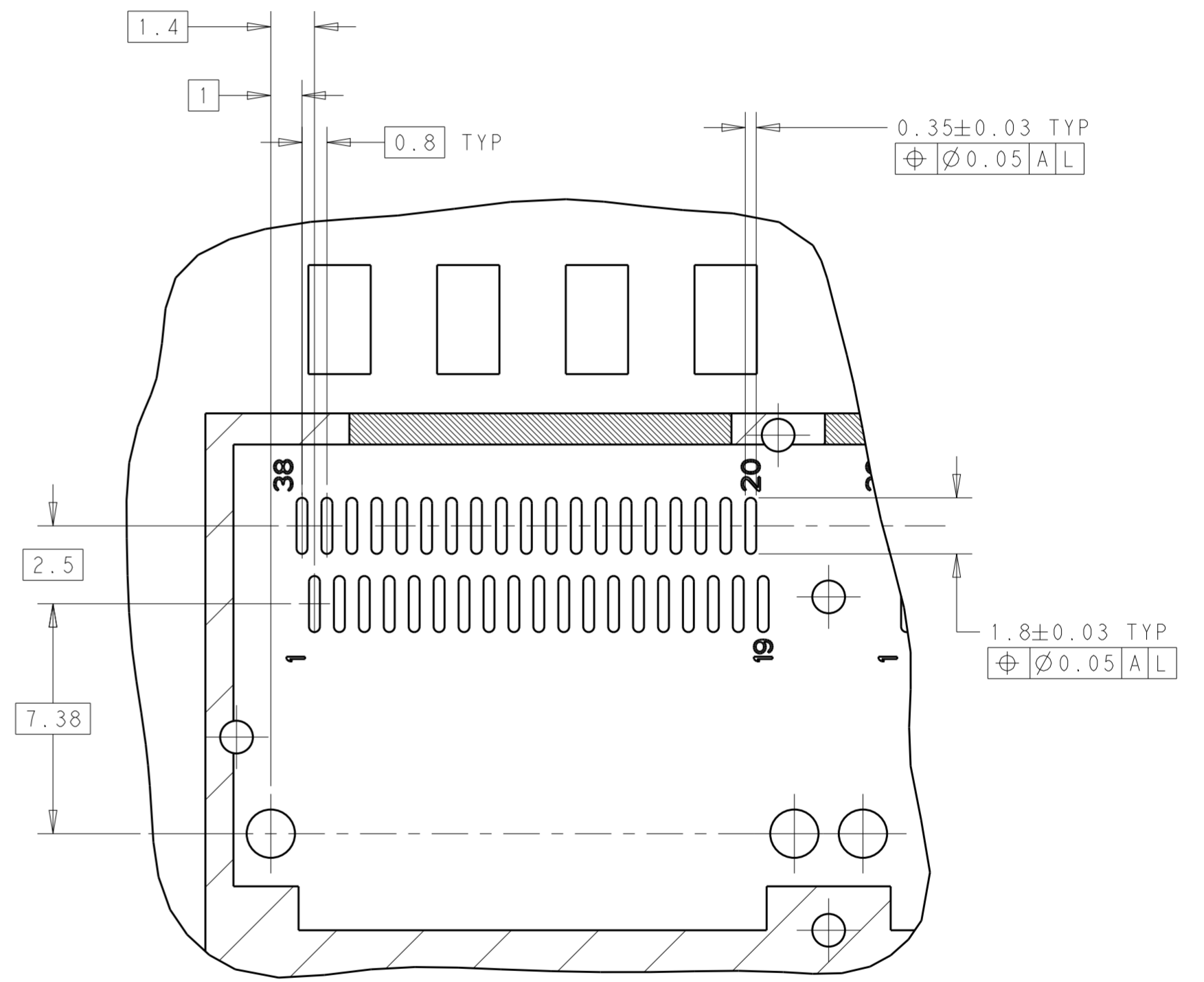
THIS DRAWING IS A CONTROLLED DOCUMENT.		DWN JASON YANG 02NOV2015	 TE Connectivity
DIMENSIONS: mm		CHK SEAN HAN 02NOV2015	
TOLERANCES UNLESS OTHERWISE SPECIFIED:		APVD MARSHALL CHEN 02NOV2015	
0 PLC ± 1 PLC ±0.25 2 PLC ±0.2 3 PLC ± 4 PLC ± ANGLES ± FINISH SEE NOTES		PRODUCT SPEC 108-19428 APPLICATION SPEC 114-32023 WEIGHT - CUSTOMER DRAWING	
MATERIAL SEE NOTES material_2		NAME RECEPTACLE CAGE ASSEMBLY WITH HEAT SINKS AND LIGHT PIPES, THRU BEZEL, 1X2, QSFP28, GASKET SIZE CAGE CODE DRAWING NO RESTRICTED TO A200779 C-2170827 - SCALE 3:1 SHEET 1 OF 8 REV A	

THIS DRAWING IS UNPUBLISHED. RELEASED FOR PUBLICATION 20  
 © COPYRIGHT 20 BY - ALL RIGHTS RESERVED.

LOC	DIST	REVISIONS			
P	LTR	DESCRIPTION	DATE	DWN	APVD
-	-	SEE SHEET 1	-	-	-



DETAIL D  
SCALE 4:1



DETAIL E  
SCALE 6:1

THIS DRAWING IS A CONTROLLED DOCUMENT.		DWN JASON YANG 02NOV2015	<b>STE</b> TE Connectivity
DIMENSIONS: mm		CHK SEAN HAN 02NOV2015	
TOLERANCES UNLESS OTHERWISE SPECIFIED:		APVD MARSHALL CHEN 02NOV2015	NAME RECEPTACLE CAGE ASSEMBLY WITH HEAT SINKS AND LIGHT PIPES, THRU BEZEL, 1X2, QSFP28, GASKET
0 PLC ± 1 PLC ±0.25 2 PLC ±0.2 3 PLC ± 4 PLC ±		PRODUCT SPEC 108-19428	
MATERIAL SEE NOTES material_2		FINISH SEE NOTES finish_spec_2	SIZE A200779
ANGLES ±		APPLICATION SPEC 114-32023	DRAWING NO C-2170827
WEIGHT -		CUSTOMER DRAWING	RESTRICTED TO -
SCALE 3:1		SHEET 1 OF 8	REV A



# Mouser Electronics

Authorized Distributor

Click to View Pricing, Inventory, Delivery & Lifecycle Information:

[TE Connectivity:](#)

[2170827-2](#)