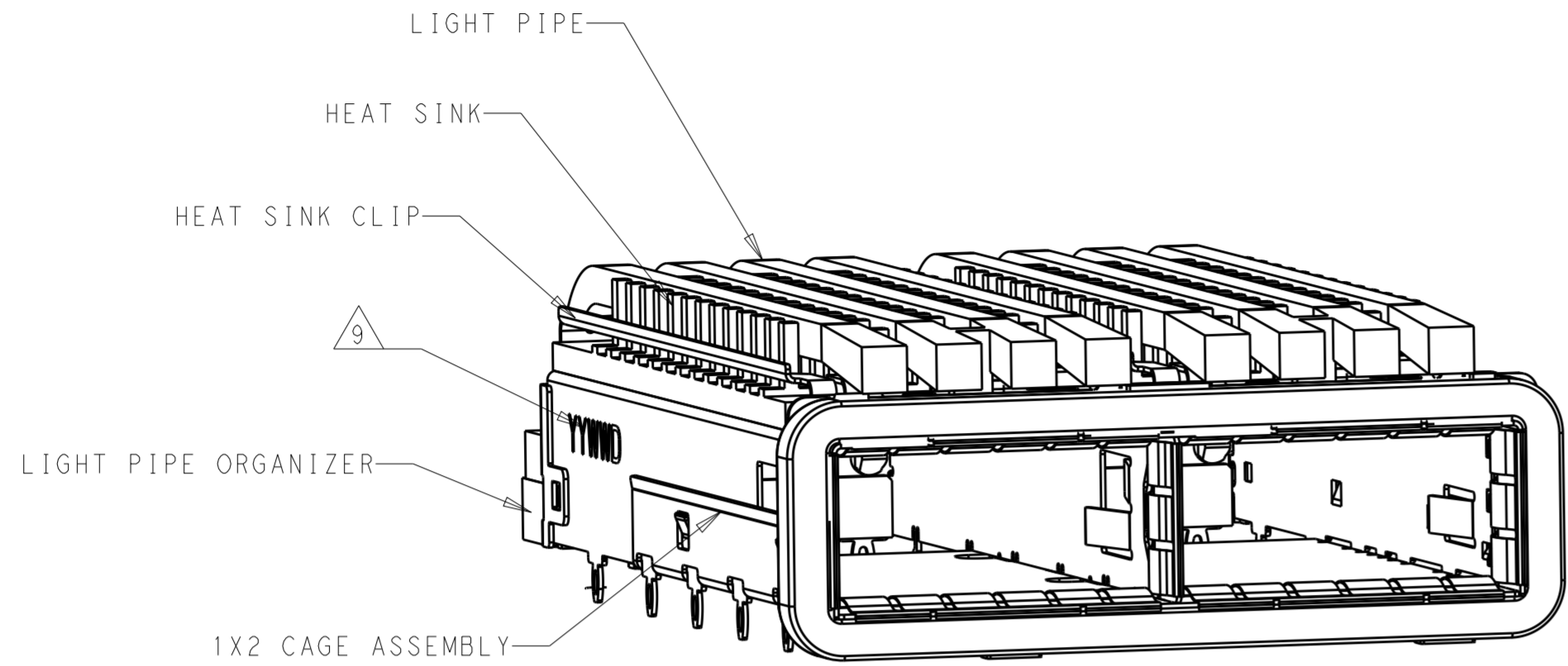


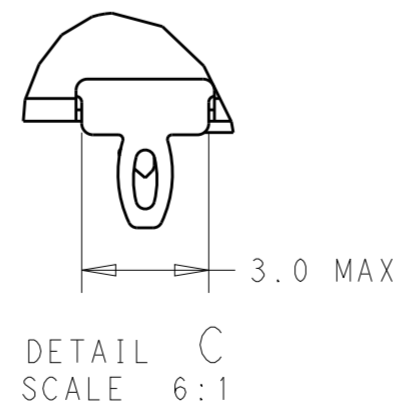
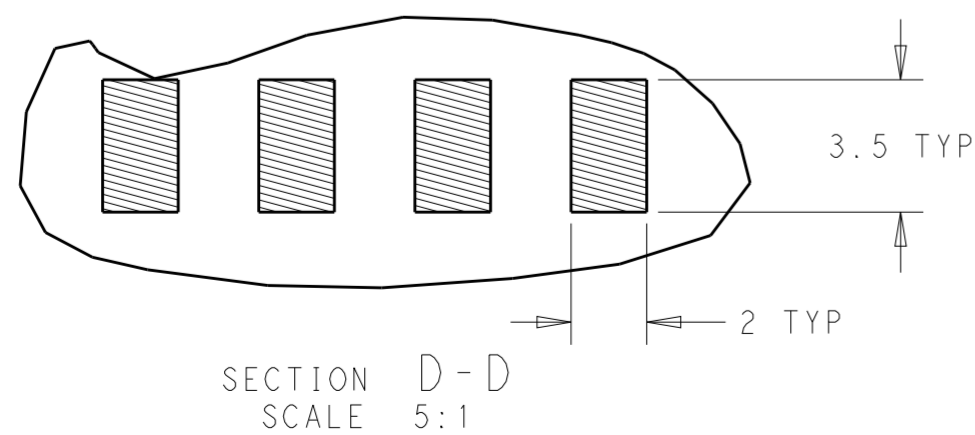
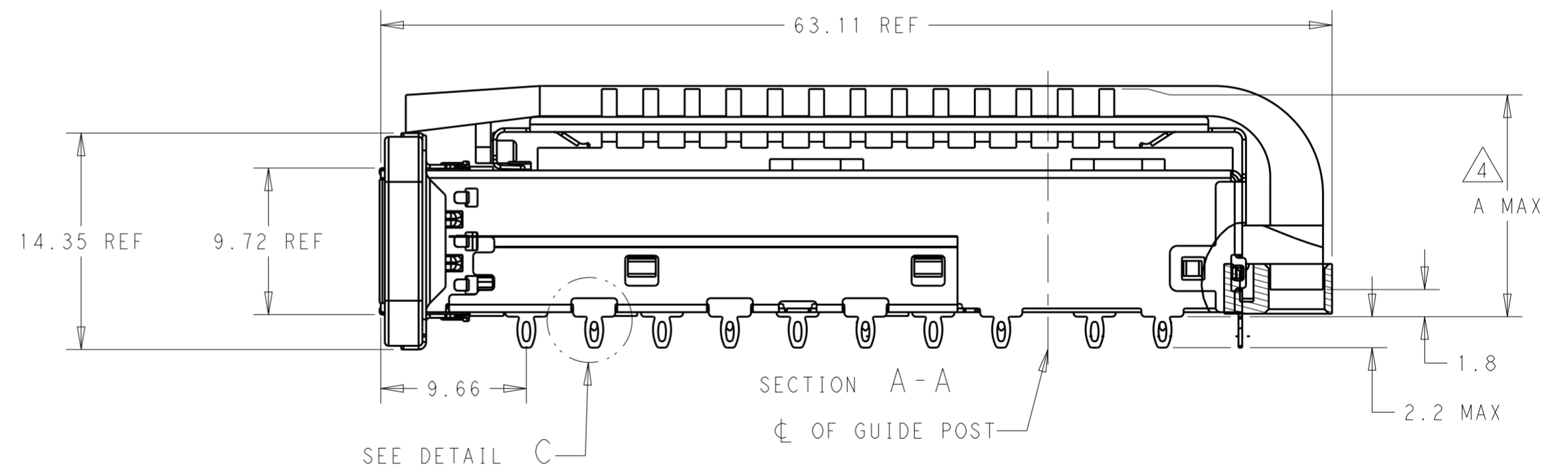
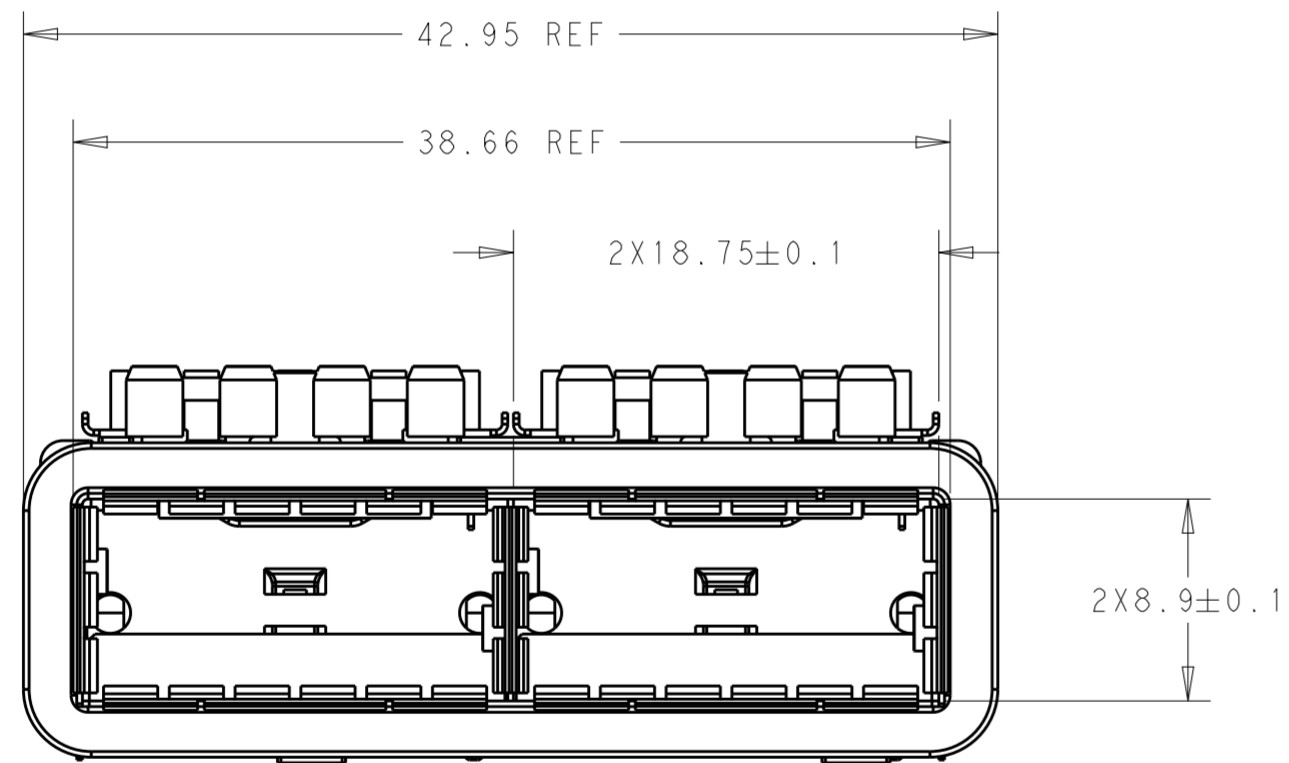
THIS DRAWING IS UNPUBLISHED. RELEASED FOR PUBLICATION 20  
 © COPYRIGHT 20 BY - ALL RIGHTS RESERVED.

LOC	DIST	REVISIONS					
GP	00	P	LTR	DESCRIPTION	DATE	DWN	APVD
			A	RELEASE	09NOV2016	JY	SH



PART NUMBER: 2170827-1

- COMPONENTS  
 CAGE ASSEMBLY: NICKEL-SILVER ALLOY  
 HEAT SINK: ALUMINUM/BLACK ANODIZE  
 HEAT SINK CLIP: STAINLESS STEEL  
 EMI SPRING: COPPER ALLOY/NICKEL PLATE  
 LIGHT PIPE: CLEAR POLYCARBONATE  
 EMI GASKET: PLATED FILLED SILICONE
- REFERENCE APPLICATION SPECIFICATION 114-32023 FOR RECOMMENDED DRILL HOLE DIAMETER AND PLATING THICKNESS
- DATUM AND BASIC DIMENSION ESTABLISHED BY CUSTOMER
- DIMENSION APPLIES WITH MODULE INSERTED IN CAGE
- HEAT SINKS, HEAT SINK CLIPS AND LIGHT PIPES ARE SHIPPED ASSEMBLED ON CAGE
- MINIMUM PC BOARD THICKNESS: SINGLE SIDED: 1.57 MIN  
 DOUBLE SIDED: 3.00 MIN
- DATUM **-A-** IS TOP SURFACE OF THE HOST BOARD.
- MATES WITH QSFP28 MSA COMPATIBLE TRANSCEIVER.
- DATE CODE (YYWWD) MARKED APPROXIMATELY AS SHOWN.
- NOTED DIMENSIONS ONLY APPLY TO CAGE ASSEMBLY WITH LIGHT PIPE.



CUSTOMERIZED HEAT SINK	N	20.0	2170827-4
CUSTOMERIZED HEAT SINK	Y	20.0	2170827-3
SAN HEAT SINK	N	16.0	2170827-2
SAN HEAT SINK	Y	16.0	2170827-1
HEAT SINK APPLICATION ORGANIZER		DIM A MAX	P/N

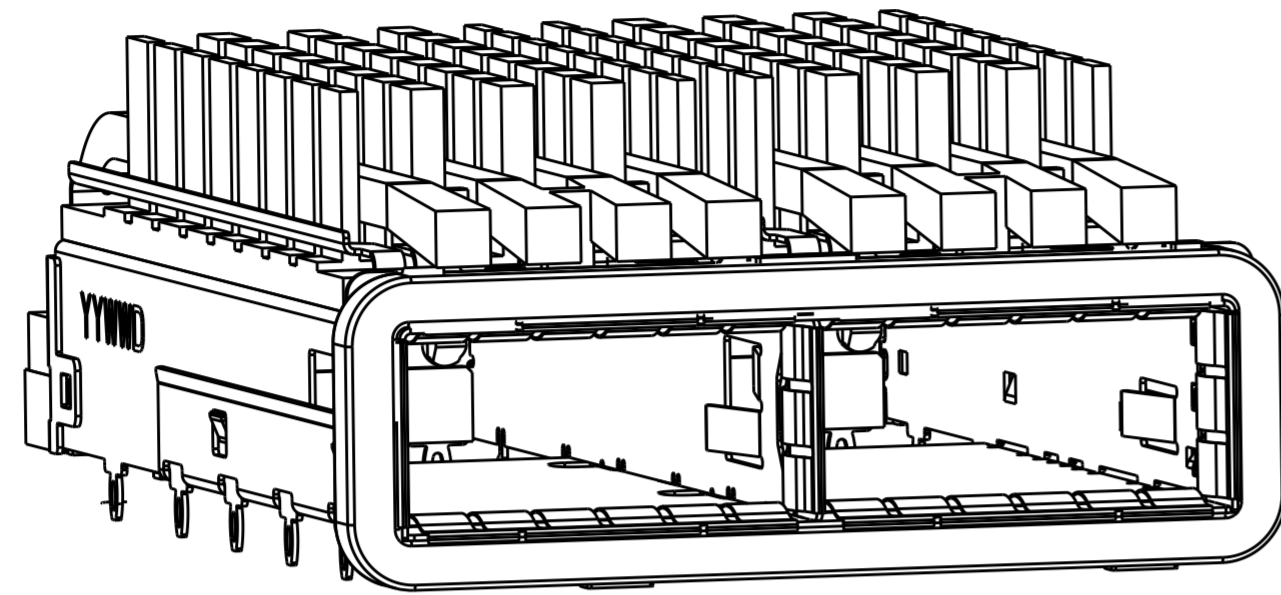
THIS DRAWING IS A CONTROLLED DOCUMENT.

DIMENSIONS: mm	TOLERANCES UNLESS OTHERWISE SPECIFIED: 0 PLC ± 1 PLC ±0.25 2 PLC ±0.2 3 PLC ± 4 PLC ± ANGLES ± FINISH ±	DWN JASON YANG 02NOV2015 CHK SEAN HAN 02NOV2015 APVD MARSHALL CHEN 02NOV2015	NAME RECEPTACLE CAGE ASSEMBLY WITH HEAT SINKS AND LIGHT PIPES, THRU BEZEL, 1X2, QSFP28, GASKET
MATERIAL SEE NOTES	SEE NOTES	PRODUCT SPEC 108-19428 APPLICATION SPEC 114-32023 WEIGHT -	SIZE A200779 CAGE CODE C-2170827 DRAWING NO C-2170827 RESTRICTED TO -
CUSTOMER DRAWING		SCALE 3:1	SHEET 1 OF 8 REV A

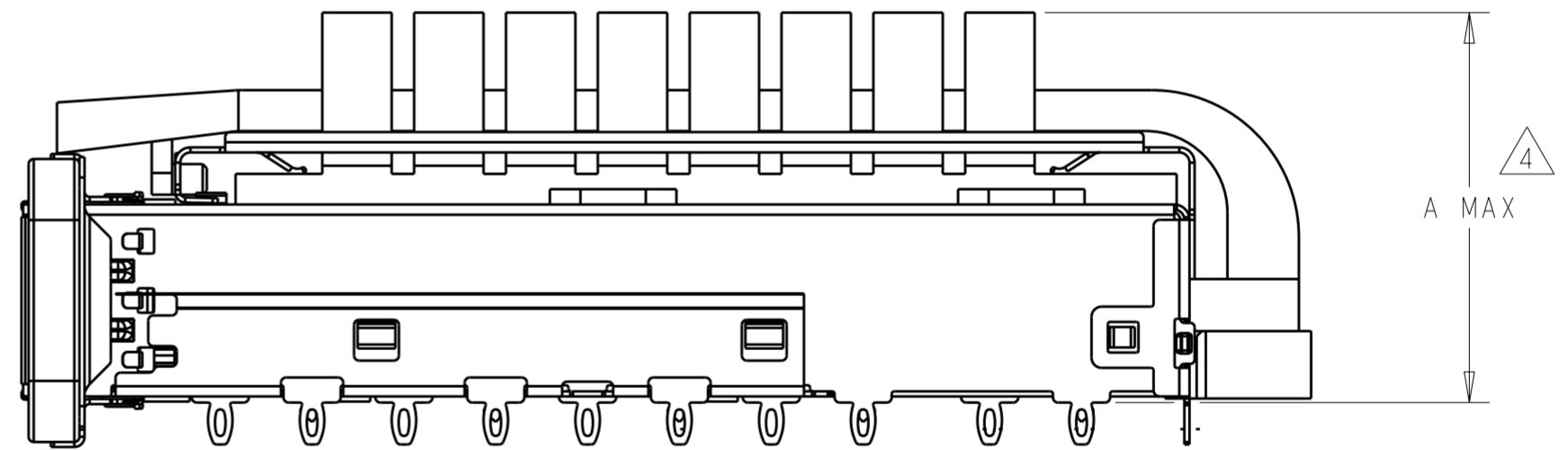
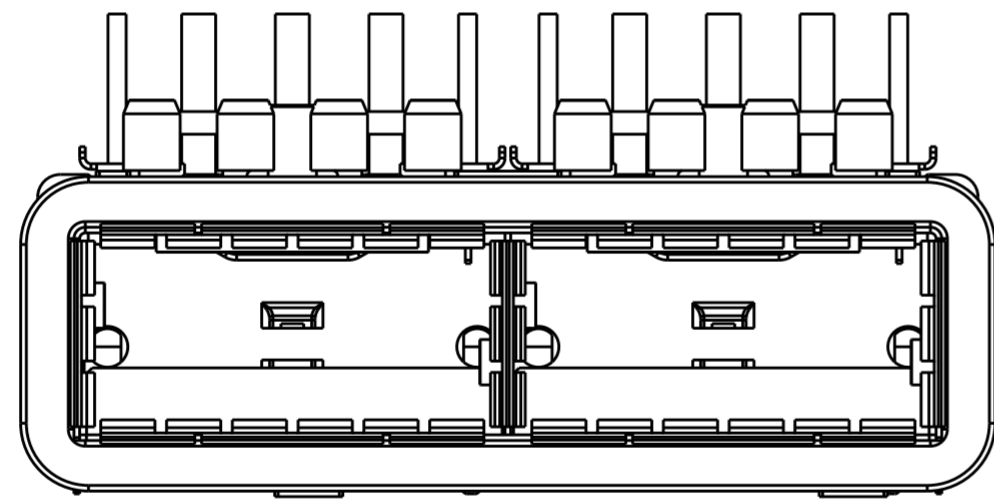
STE TE Connectivity

THIS DRAWING IS UNPUBLISHED. RELEASED FOR PUBLICATION 20  
 © COPYRIGHT 20 BY - ALL RIGHTS RESERVED.

LOC		DIST		REVISIONS			
P	LTR	DESCRIPTION	DATE	DWN	APVD		
-		SEE SHEET 1	-	-	-		



2170827-3 WITH CUSTOMIZED HEAT SINK  
 SCALE 3:1

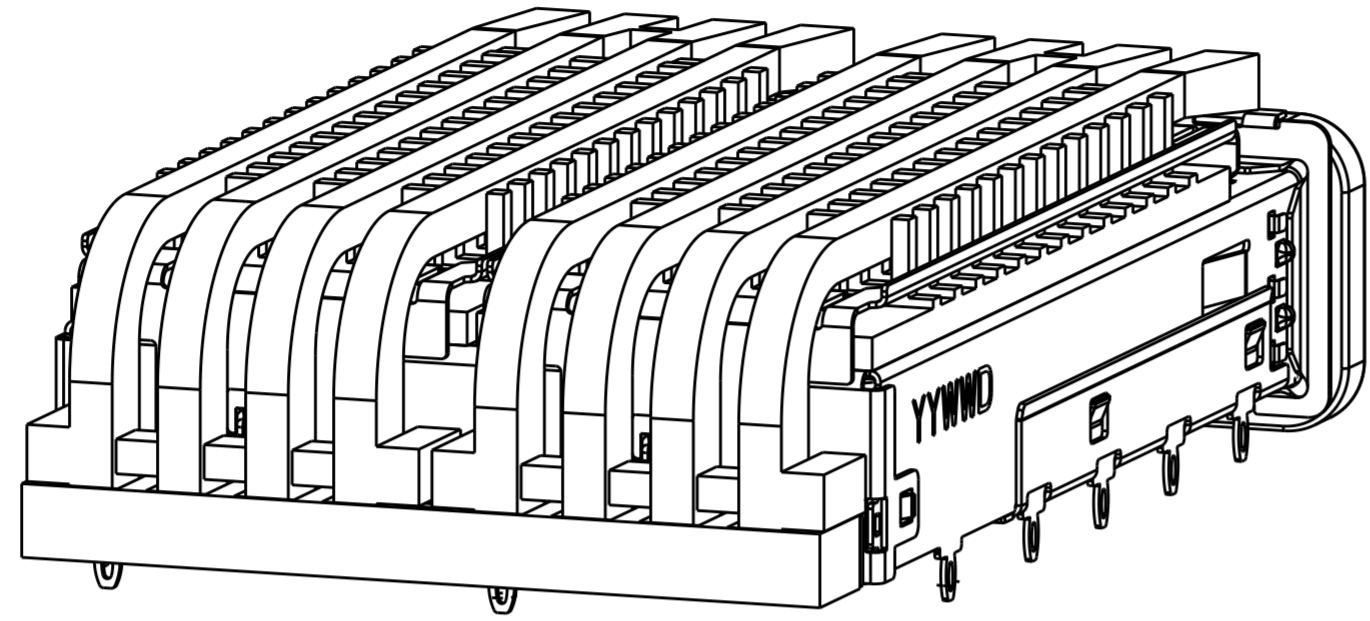


2170827-3 AS SHOWN  
 OTHER DIMENSIONS ARE SAME AS 2170827-1

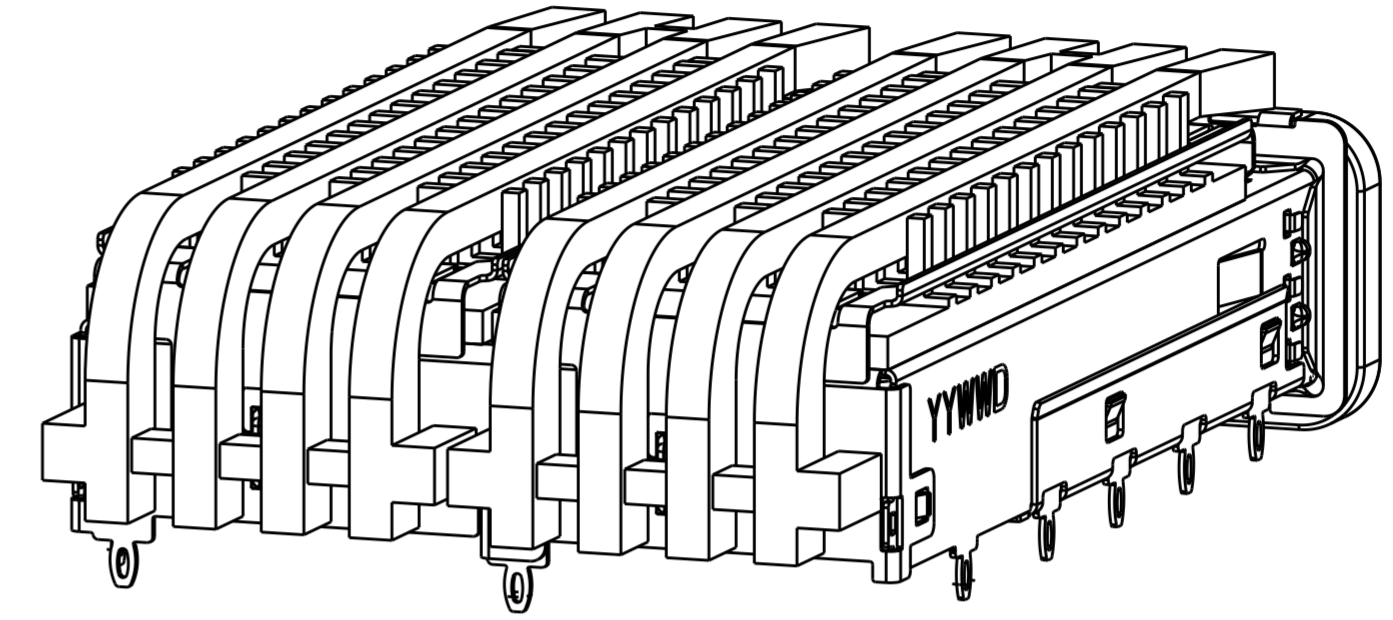
THIS DRAWING IS A CONTROLLED DOCUMENT.		DWN 02NOV2015 JASON YANG	<b>STE</b> TE Connectivity	
		CHK 02NOV2015 SEAN HAN		
DIMENSIONS:		APVD 02NOV2015 MARSHALL CHEN	NAME RECEPTACLE CAGE ASSEMBLY WITH HEAT SINKS AND LIGHT PIPES, THRU BEZEL, 1X2, QSFP28, GASKET	
mm	TOLERANCES UNLESS OTHERWISE SPECIFIED:	PRODUCT SPEC	SIZE	CAGE CODE
	0 PLC ±	108-19428	A2	00779
	1 PLC ±0.25	APPLICATION SPEC	DRAWING NO	RESTRICTED TO
	2 PLC ±0.2	114-32023	C-2170827	-
	3 PLC ±	WEIGHT	SCALE	SHEET
	4 PLC ±	-	3:1	1 OF 8
	ANGLES ±	CUSTOMER DRAWING	REV	A
MATERIAL	FINISH			
SEE NOTES material_2	SEE NOTES finish_spec_2			

THIS DRAWING IS UNPUBLISHED. RELEASED FOR PUBLICATION 20  
 © COPYRIGHT 20 BY - ALL RIGHTS RESERVED.

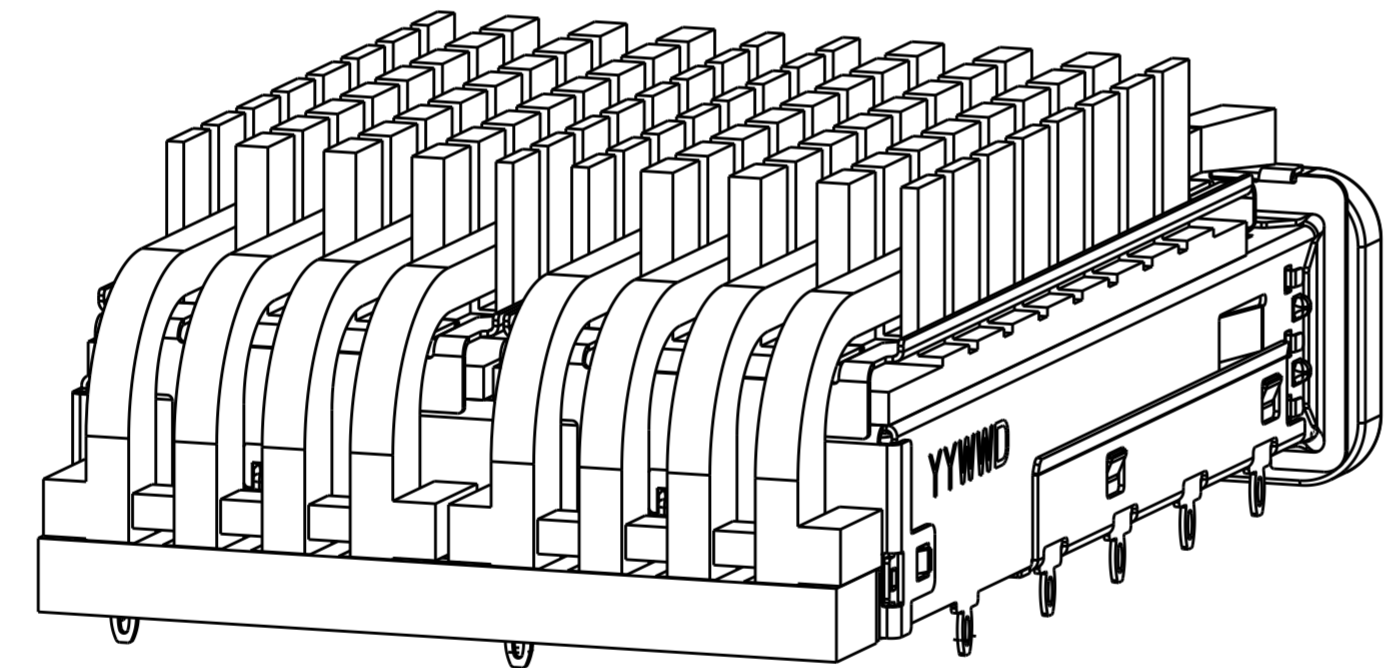
LOC		DIST		REVISIONS			
P	LTR	DESCRIPTION		DATE	DWN	APVD	
-		SEE SHEET 1		-	-	-	



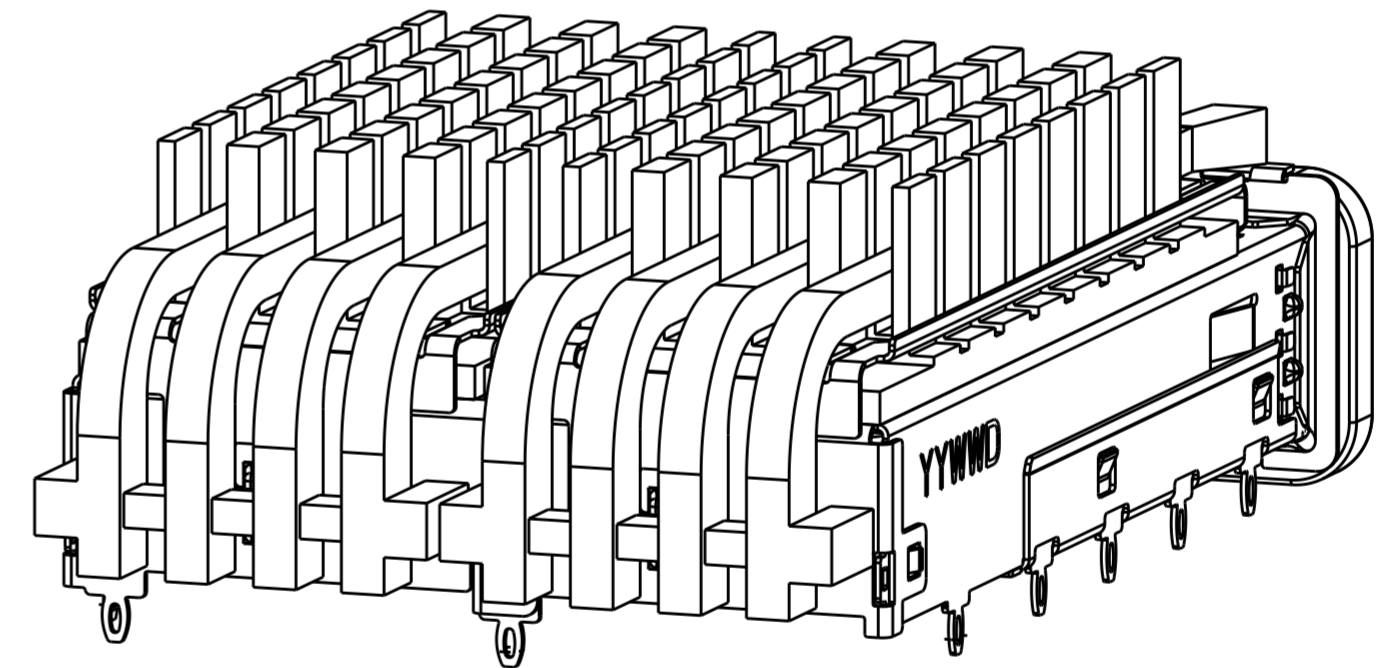
SCALE 3:1  
2170827-1 AS SHOWN




SCALE 3:1  
2170827-2 AS SHOWN



SCALE 3:1  
2170827-3 AS SHOWN

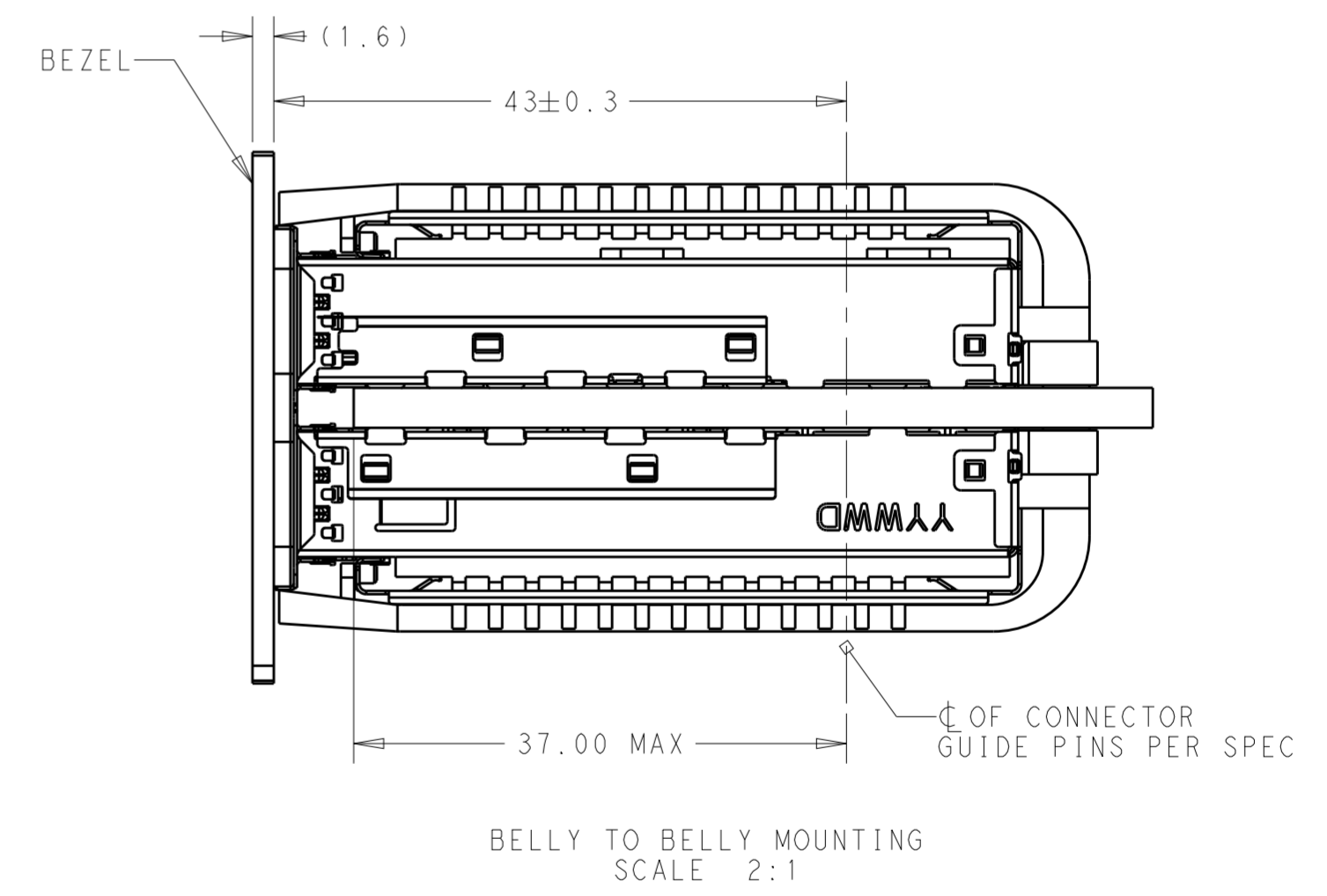
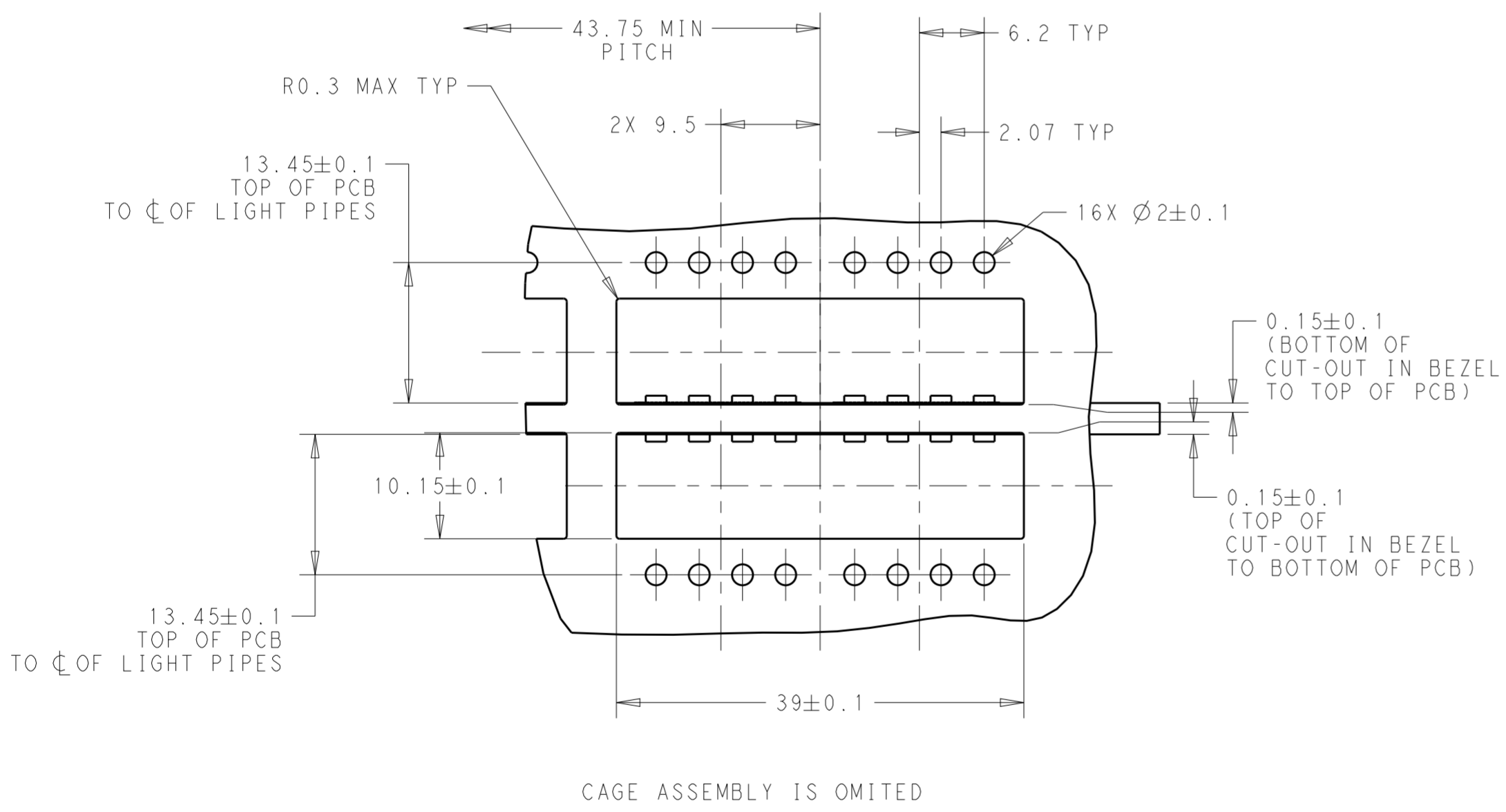
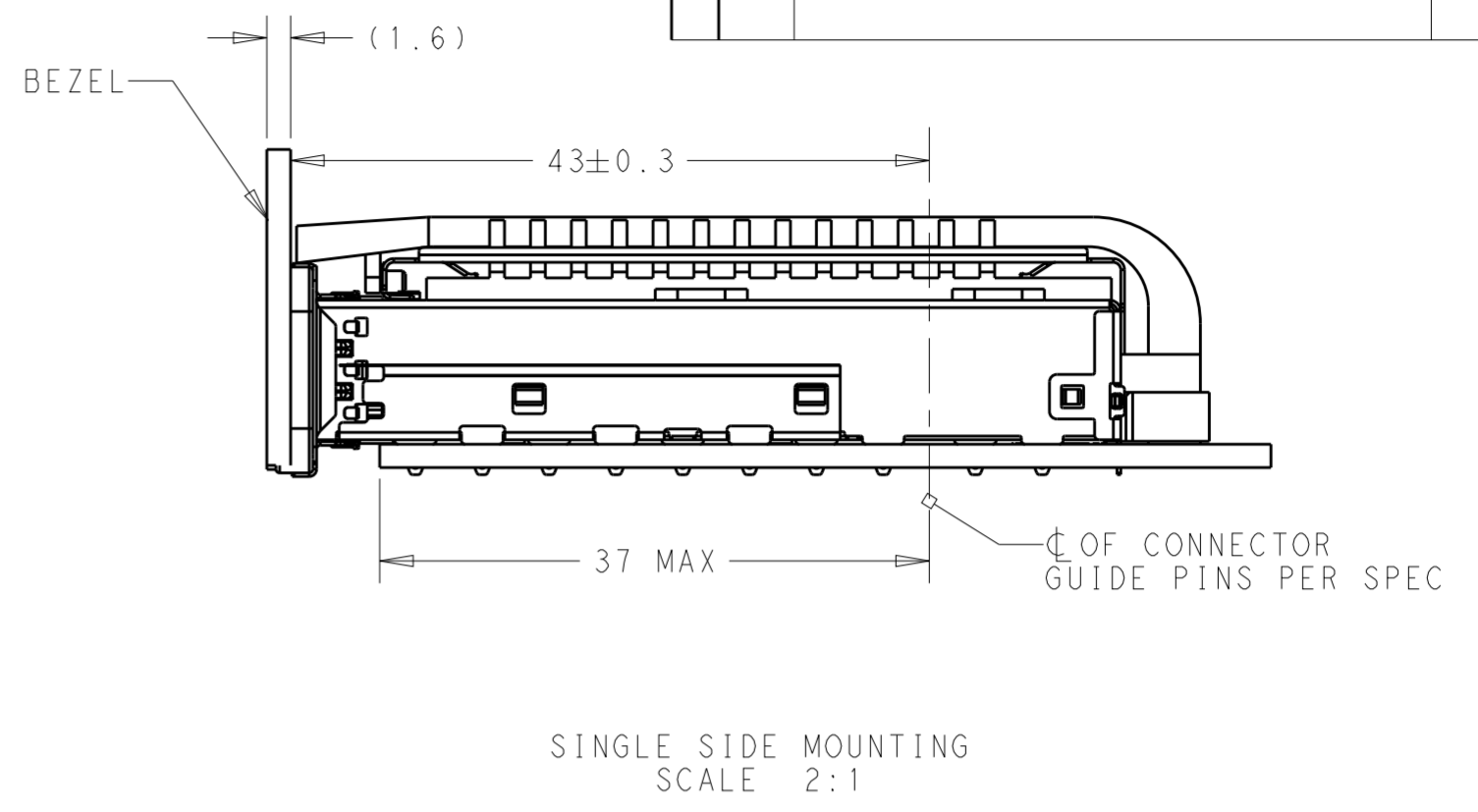
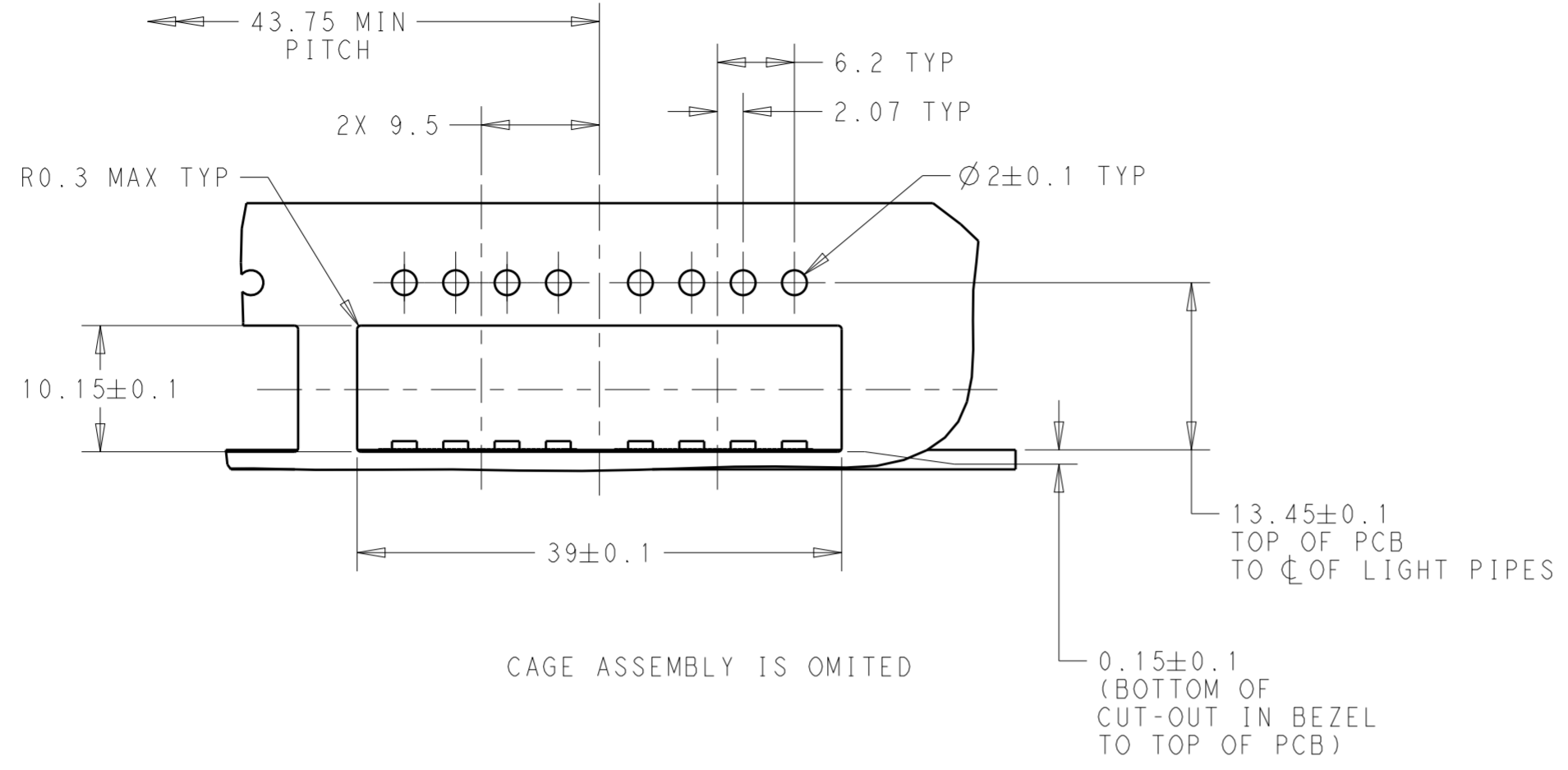


SCALE 3:1  
2170827-4 AS SHOWN

THIS DRAWING IS A CONTROLLED DOCUMENT.		DWN JASON YANG 02NOV2015	 TE Connectivity
		CHK SEAN HAN 02NOV2015	
		APVD MARSHALL CHEN 02NOV2015	
		PRODUCT SPEC	
DIMENSIONS: mm		108-19428	NAME RECEPTACLE CAGE ASSEMBLY WITH HEAT SINKS AND LIGHT PIPES, THRU BEZEL, 1X2, QSFP28, GASKET
TOLERANCES UNLESS OTHERWISE SPECIFIED:		114-32023	SIZE A200779
0 PLC ± 1 PLC ±0.25 2 PLC ±0.2 3 PLC ± 4 PLC ±		APPLICATION SPEC	CAGE CODE C-2170827
ANGLES ±		WEIGHT	DRAWING NO -
FINISH		CUSTOMER DRAWING	RESTRICTED TO -
MATERIAL SEE NOTES material_2		SCALE 3:1 SHEET 1 OF 8 REV A	
FINISH SEE NOTES finish_spec_2			

THIS DRAWING IS UNPUBLISHED. RELEASED FOR PUBLICATION 20  
 © COPYRIGHT 20 BY - ALL RIGHTS RESERVED.

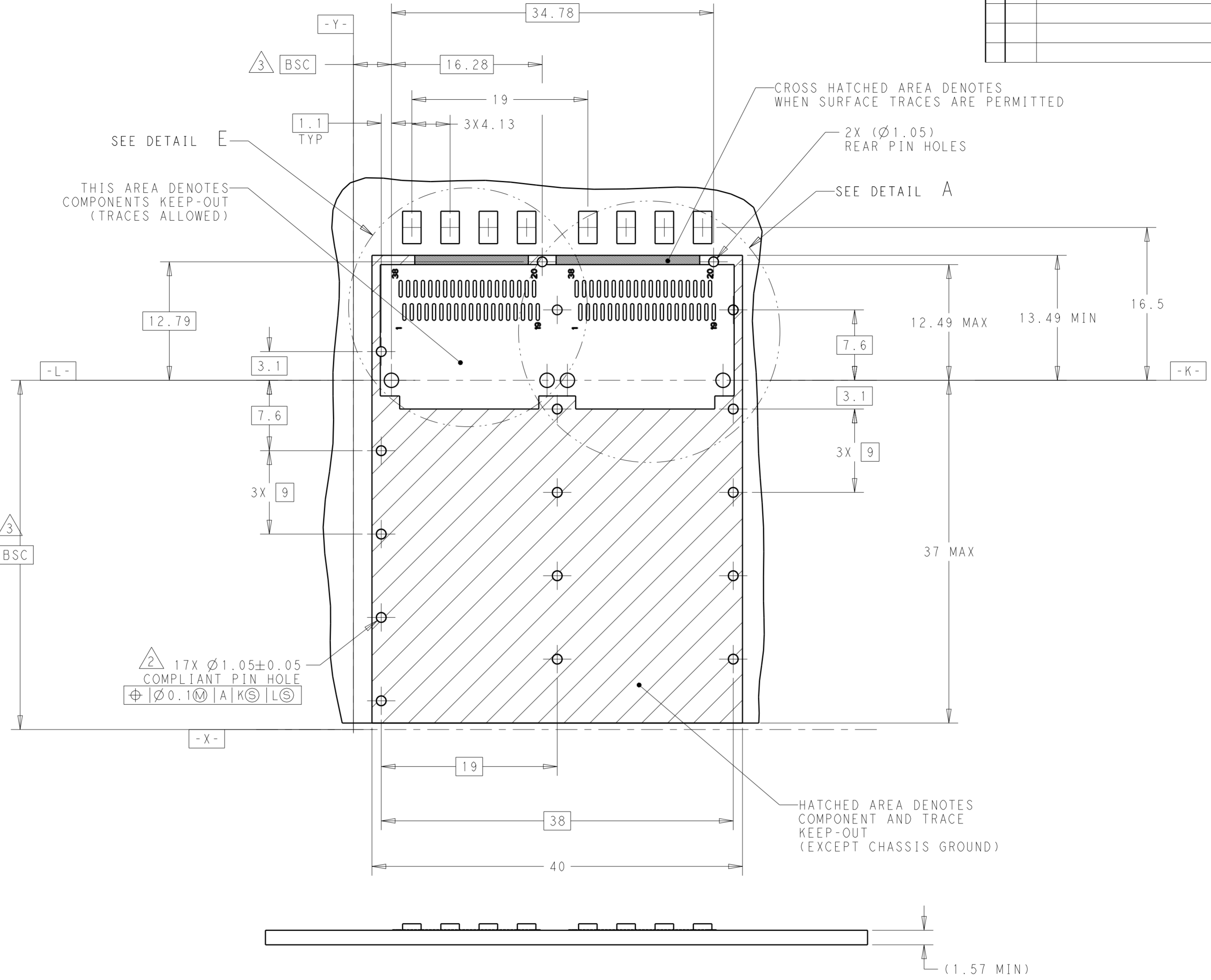
LOC		DIST		REVISIONS			
P	LTR	DESCRIPTION	DATE	DWN	APVD		
-	-	SEE SHEET 1	-	-	-		



THIS DRAWING IS A CONTROLLED DOCUMENT.		DWN JASON YANG 02NOV2015	 TE Connectivity	NAME RECEPTACLE CAGE ASSEMBLY WITH HEAT SINKS AND LIGHT PIPES, THRU BEZEL, 1X2, QSFP28, GASKET		
DIMENSIONS: mm		CHK SEAN HAN 02NOV2015		PRODUCT SPEC 108-19428	SIZE A200779	CAGE CODE C-2170827
TOLERANCES UNLESS OTHERWISE SPECIFIED:		APVD MARSHALL CHEN 02NOV2015		APPLICATION SPEC 114-32023	SCALE 3:1	SHEET 1 OF 8
0 PLC ± 1 PLC ±0.25 2 PLC ±0.2 3 PLC ± 4 PLC ± ANGLES ± FINISH SEE NOTES		MATERIAL SEE NOTES material_2		WEIGHT -	CUSTOMER DRAWING	REV A

THIS DRAWING IS UNPUBLISHED. RELEASED FOR PUBLICATION 20  
 © COPYRIGHT 20 BY - ALL RIGHTS RESERVED.

LOC	DIST	REVISIONS			
P	LTR	DESCRIPTION	DATE	DWN	APVD
-	-	SEE SHEET 1	-	-	-



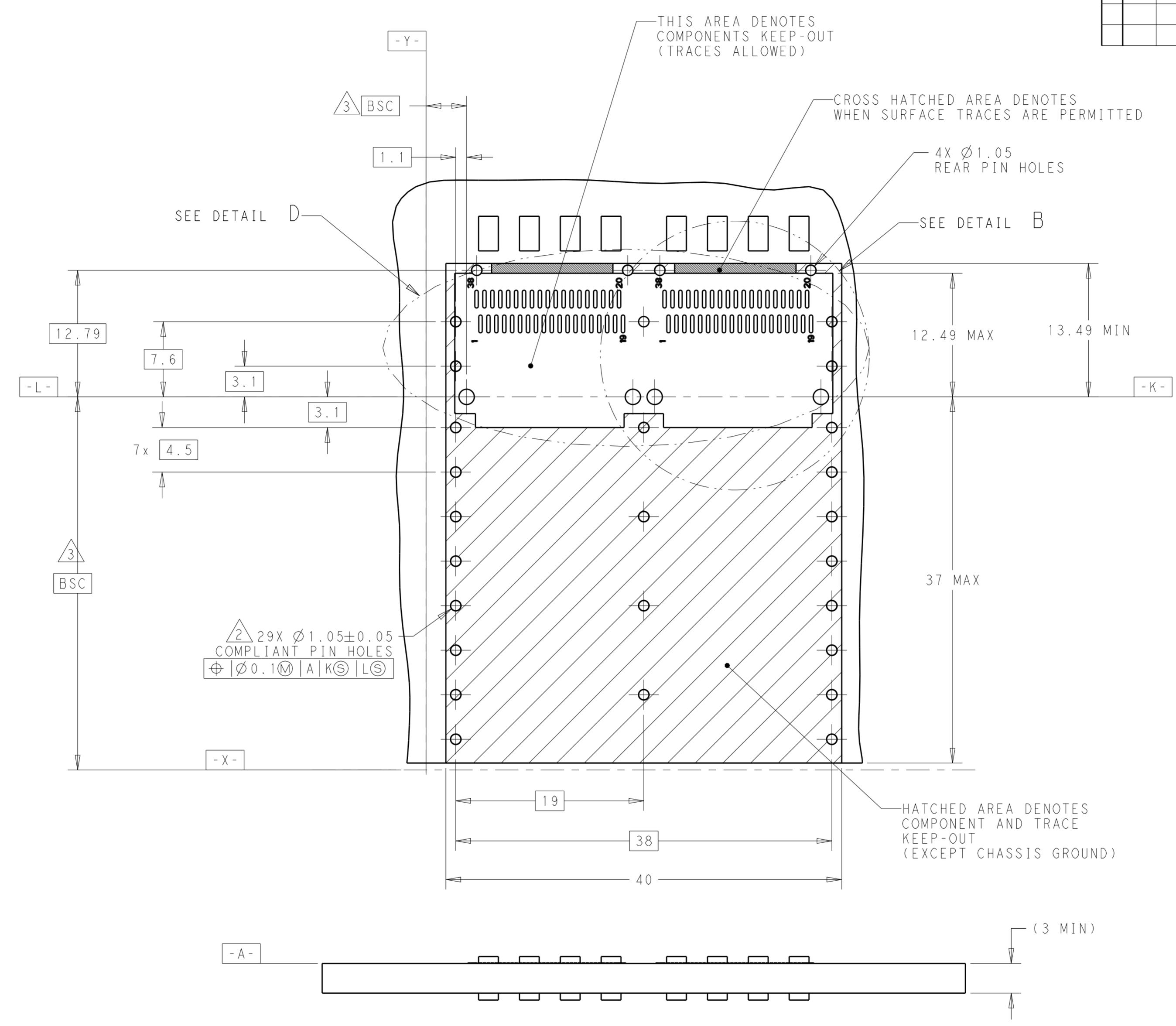
2 17X Ø1.05±0.05  
 COMPLIANT PIN HOLE  
 Ø0.1 | M | A | K | S | L | S

RECOMMENDED PCB LAYOUT  
 SINGLE TYPE  
 PCB TOLERANCE: ±0.05  
 SCALE 3:1

THIS DRAWING IS A CONTROLLED DOCUMENT.		DWN 02NOV2015 JASON YANG	TE Connectivity	
DIMENSIONS: mm		CHK 02NOV2015 SEAN HAN		
TOLERANCES UNLESS OTHERWISE SPECIFIED:		APVD 02NOV2015 MARSHALL CHEN	NAME RECEPTACLE CAGE ASSEMBLY WITH HEAT SINKS AND LIGHT PIPES, THRU BEZEL, 1X2, QSFP28, GASKET	
0 PLC ±	1 PLC ±0.25	PRODUCT SPEC 108-19428	SIZE A2	CAGE CODE 00779
2 PLC ±0.2	3 PLC ±	APPLICATION SPEC 114-32023	DRAWING NO C-2170827	RESTRICTED TO -
4 PLC ±	ANGLES ±	WEIGHT -	SCALE 3:1 SHEET 1 OF 8 REV A	
MATERIAL SEE NOTES material_2	FINISH SEE NOTES finish_spec_2	CUSTOMER DRAWING		

THIS DRAWING IS UNPUBLISHED. RELEASED FOR PUBLICATION 20  
 © COPYRIGHT 20 BY - ALL RIGHTS RESERVED.

LOC	DIST	REVISIONS			
P	LTR	DESCRIPTION	DATE	DWN	APVD
-	-	SEE SHEET 1	-	-	-



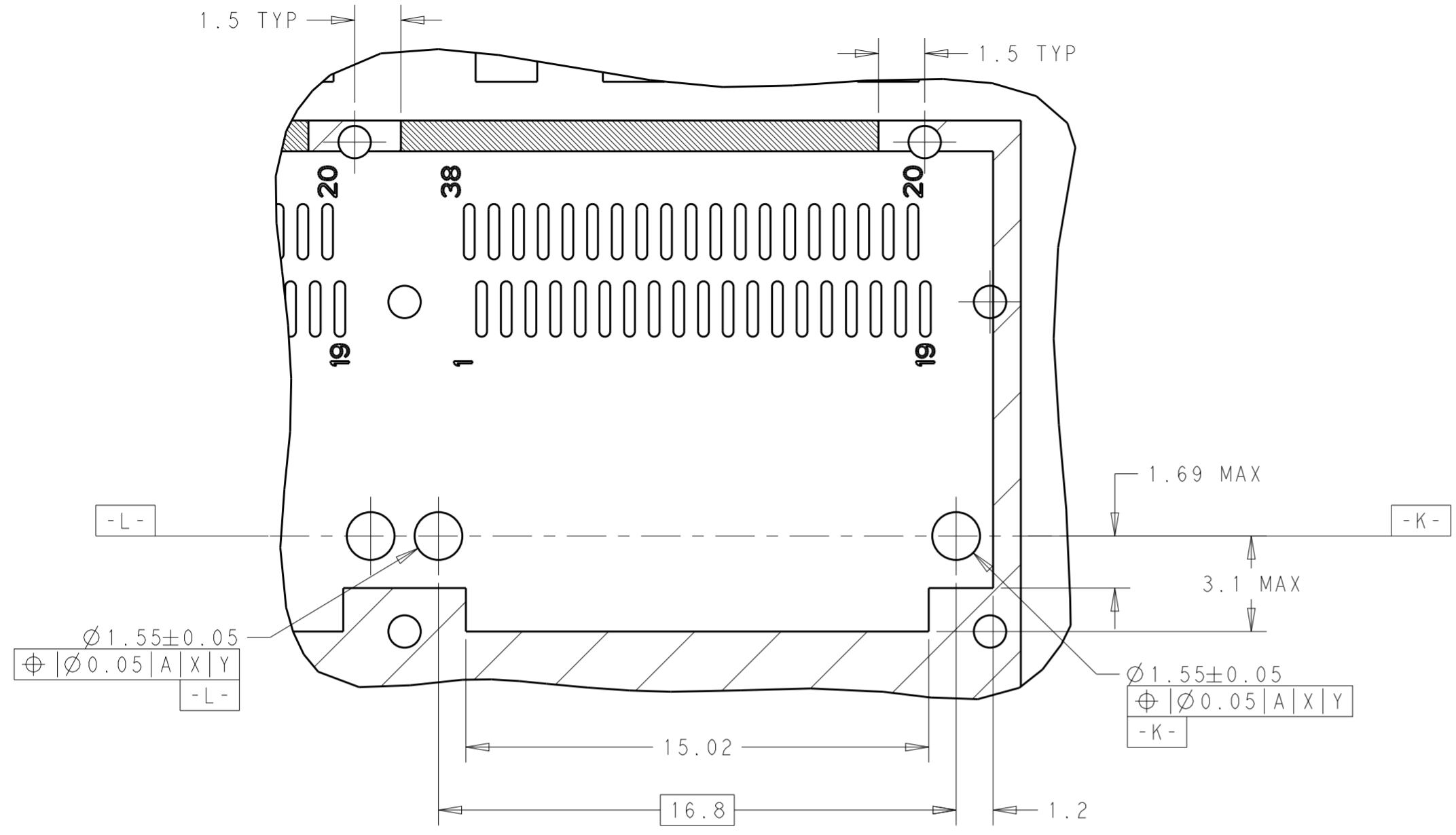
2 29X  $\phi 1.05 \pm 0.05$   
 COMPLIANT PIN HOLES  
 $\phi \pm 0.1$  | M | A | K | S | L

RECOMMENDED PCB LAYOUT  
 BELLY TO BELLY TYPE  
 PCB TOLERANCE:  $\pm 0.05$   
 SCALE 3:1

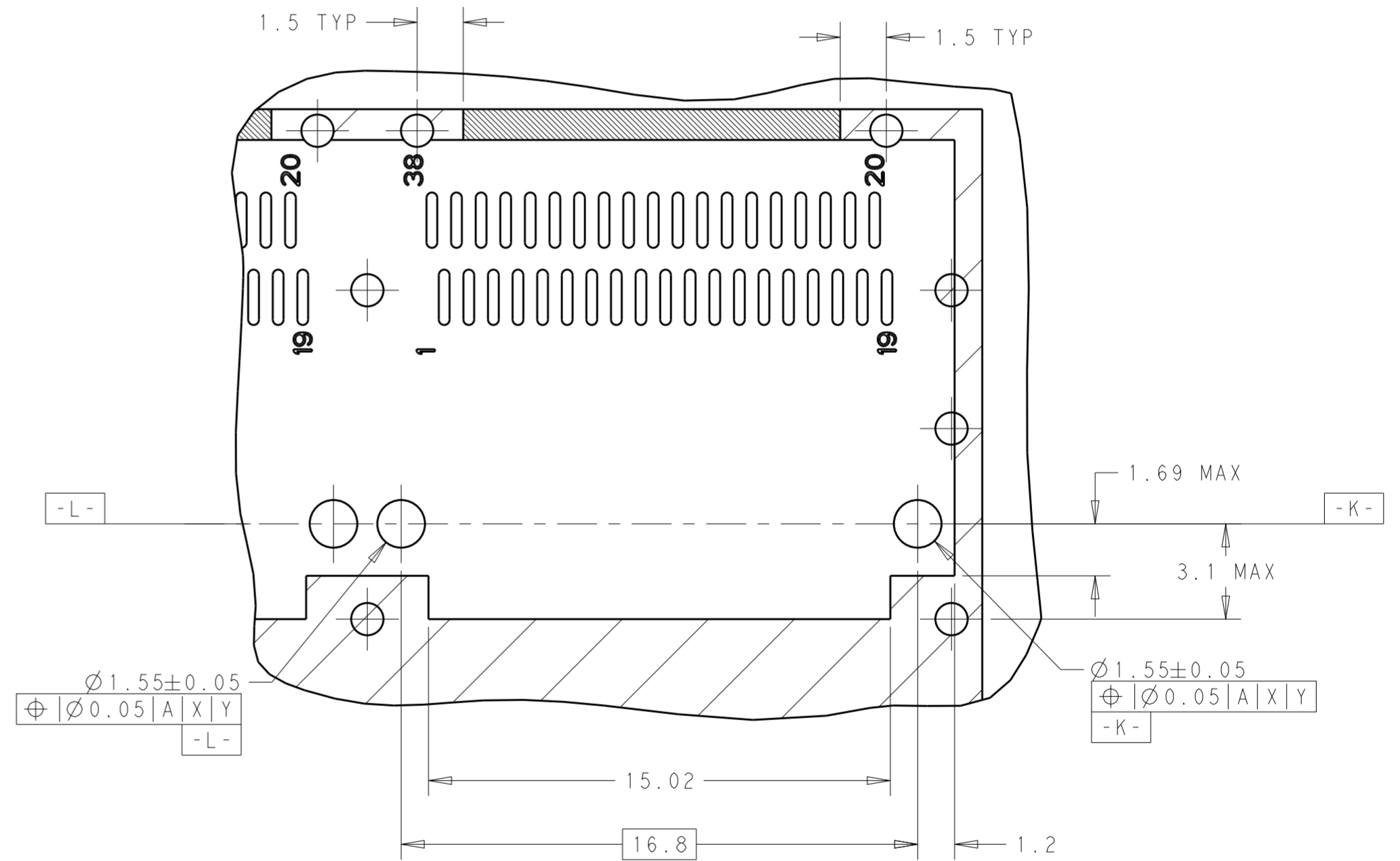
THIS DRAWING IS A CONTROLLED DOCUMENT.		DWN JASON YANG 02NOV2015	TE Connectivity
DIMENSIONS: mm		CHK SEAN HAN 02NOV2015	
		APVD MARSHALL CHEN 02NOV2015	
TOLERANCES UNLESS OTHERWISE SPECIFIED: 0 PLC $\pm$ 1 PLC $\pm 0.25$ 2 PLC $\pm 0.2$ 3 PLC $\pm$ 4 PLC $\pm$ ANGLES $\pm$		NAME RECEPTACLE CAGE ASSEMBLY WITH HEAT SINKS AND LIGHT PIPES, THRU BEZEL, 1X2, QSFP28, GASKET	
MATERIAL SEE NOTES material_2	FINISH SEE NOTES finish_spec_2	PRODUCT SPEC 108-19428	SIZE A200779
		APPLICATION SPEC 114-32023	DRAWING NO C-2170827
		WEIGHT -	RESTRICTED TO -
		CUSTOMER DRAWING	SCALE 3:1 SHEET 1 OF 8 REV A

THIS DRAWING IS UNPUBLISHED. RELEASED FOR PUBLICATION 20  
 © COPYRIGHT 20 BY - ALL RIGHTS RESERVED.

LOC	DIST	REVISIONS			
P	LTR	DESCRIPTION	DATE	DWN	APVD
-	-	SEE SHEET 1	-	-	-



DETAIL A  
SCALE 6:1

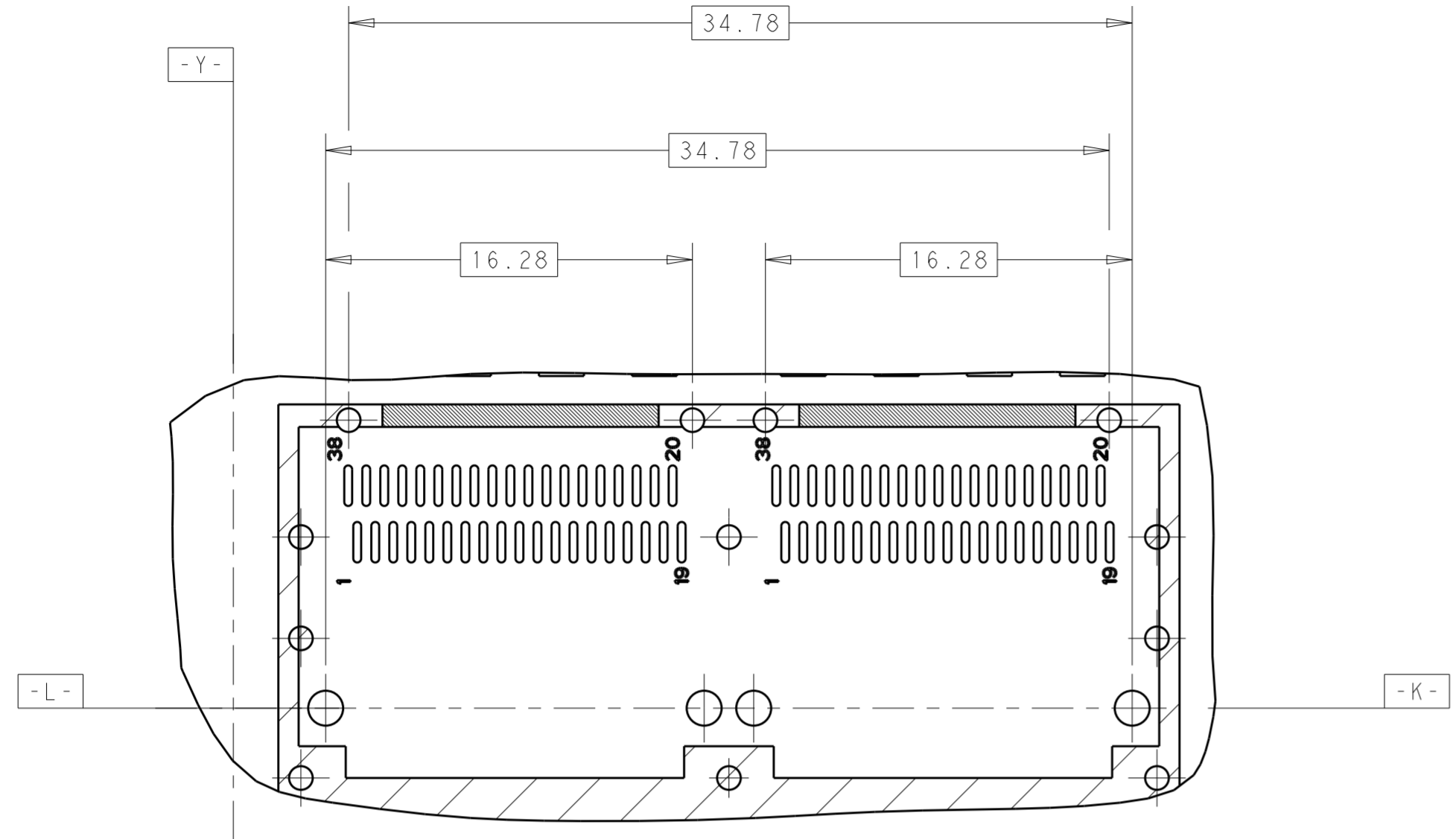


DETAIL B  
SCALE 6:1

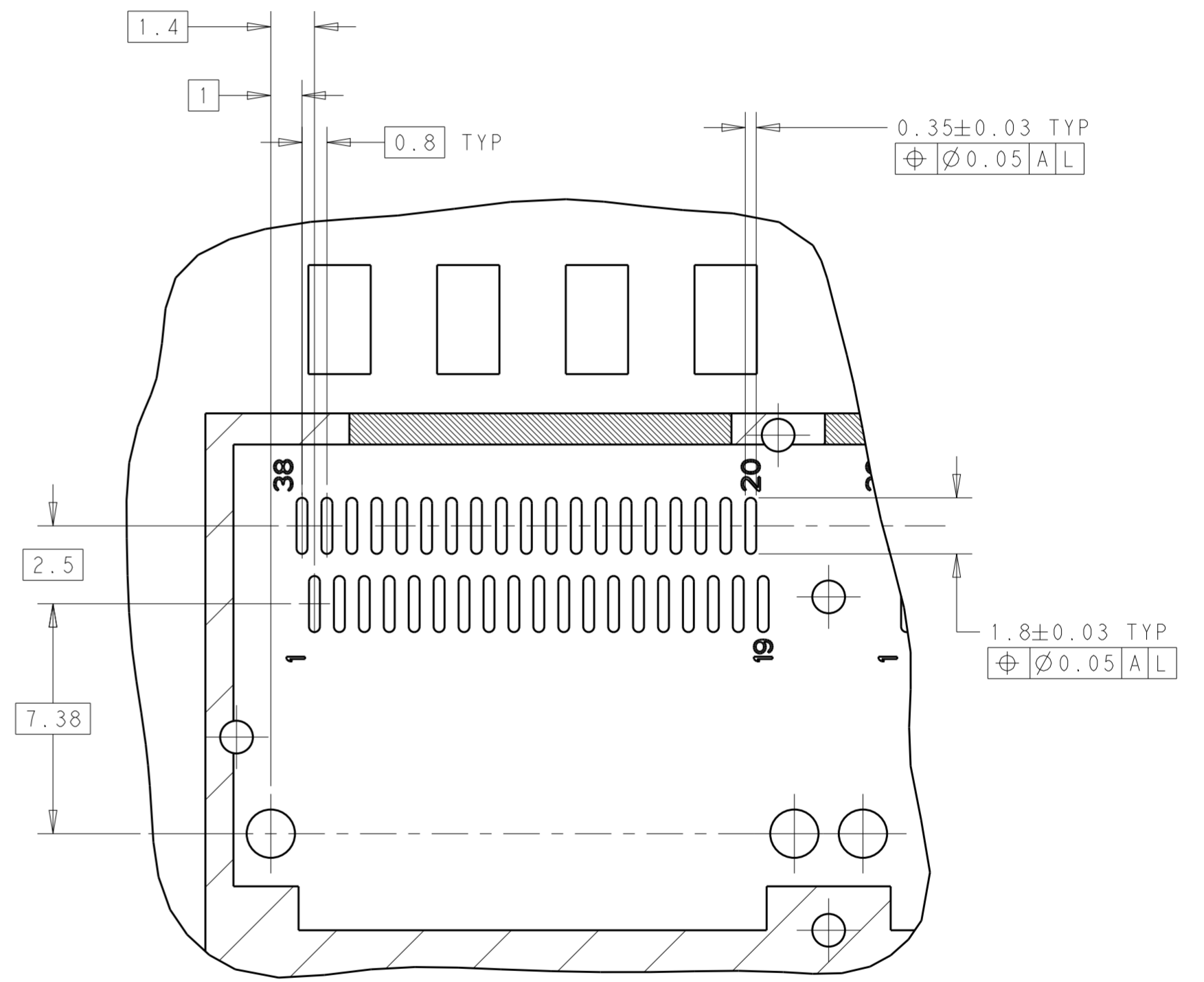
THIS DRAWING IS A CONTROLLED DOCUMENT.		DWN JASON YANG 02NOV2015	<b>STE</b> TE Connectivity
DIMENSIONS: mm		CHK SEAN HAN 02NOV2015	
TOLERANCES UNLESS OTHERWISE SPECIFIED:		APVD MARSHALL CHEN 02NOV2015	NAME RECEPTACLE CAGE ASSEMBLY WITH HEAT SINKS AND LIGHT PIPES, THRU BEZEL, 1X2, QSFP28, GASKET
0 PLC ± 1 PLC ±0.25 2 PLC ±0.2 3 PLC ± 4 PLC ±		PRODUCT SPEC 108-19428	
MATERIAL SEE NOTES material_2		APPLICATION SPEC 114-32023	SIZE A200779
FINISH SEE NOTES finish_spec_2		WEIGHT -	DRAWING NO C-2170827
CUSTOMER DRAWING		SCALE 3:1	RESTRICTED TO -
		SHEET 1 OF 8	REV A

THIS DRAWING IS UNPUBLISHED. RELEASED FOR PUBLICATION 20  
 © COPYRIGHT 20 BY - ALL RIGHTS RESERVED.

LOC	DIST	REVISIONS			
P	LTR	DESCRIPTION	DATE	DWN	APVD
-	-	SEE SHEET 1	-	-	-



DETAIL D  
SCALE 4:1



DETAIL E  
SCALE 6:1

THIS DRAWING IS A CONTROLLED DOCUMENT.		DWN JASON YANG 02NOV2015	<b>STE</b> TE Connectivity
DIMENSIONS: mm		CHK SEAN HAN 02NOV2015	
TOLERANCES UNLESS OTHERWISE SPECIFIED:		APVD MARSHALL CHEN 02NOV2015	NAME RECEPTACLE CAGE ASSEMBLY WITH HEAT SINKS AND LIGHT PIPES, THRU BEZEL, 1X2, QSFP28, GASKET
0 PLC ±	1 PLC ±0.25	PRODUCT SPEC 108-19428	SIZE A200779
2 PLC ±0.2	3 PLC ±	APPLICATION SPEC 114-32023	CAGE CODE C-2170827
4 PLC ±	ANGLES ±	WEIGHT -	DRAWING NO -
MATERIAL SEE NOTES material_2	FINISH SEE NOTES finish_spec_2	CUSTOMER DRAWING	RESTRICTED TO -
SCALE 3:1		SHEET 1 OF 8	REV A



# Mouser Electronics

Authorized Distributor

Click to View Pricing, Inventory, Delivery & Lifecycle Information:

[TE Connectivity:](#)

[2170827-1](#)