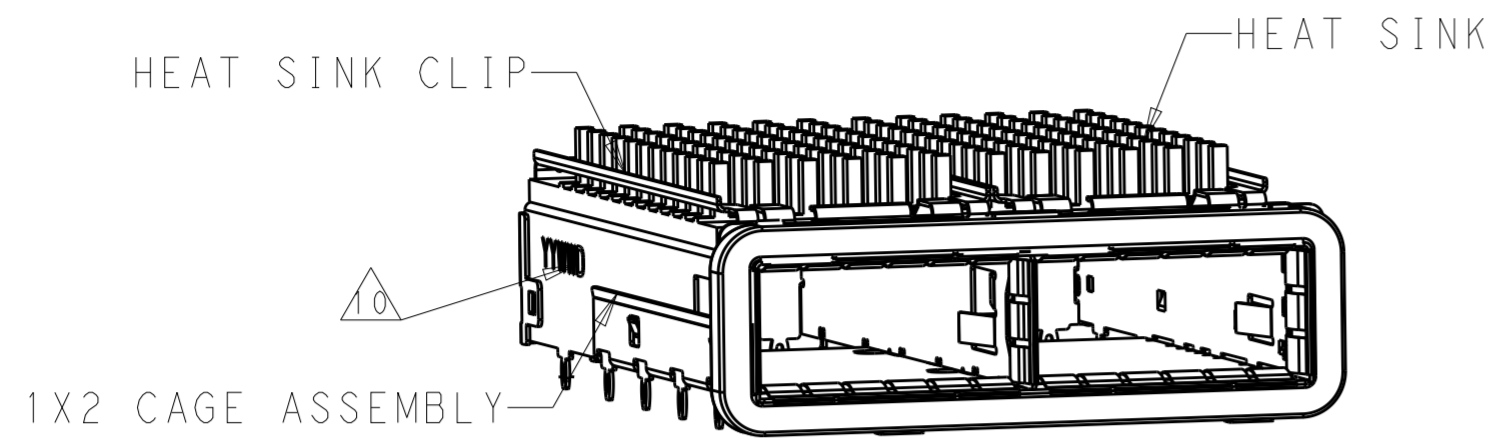


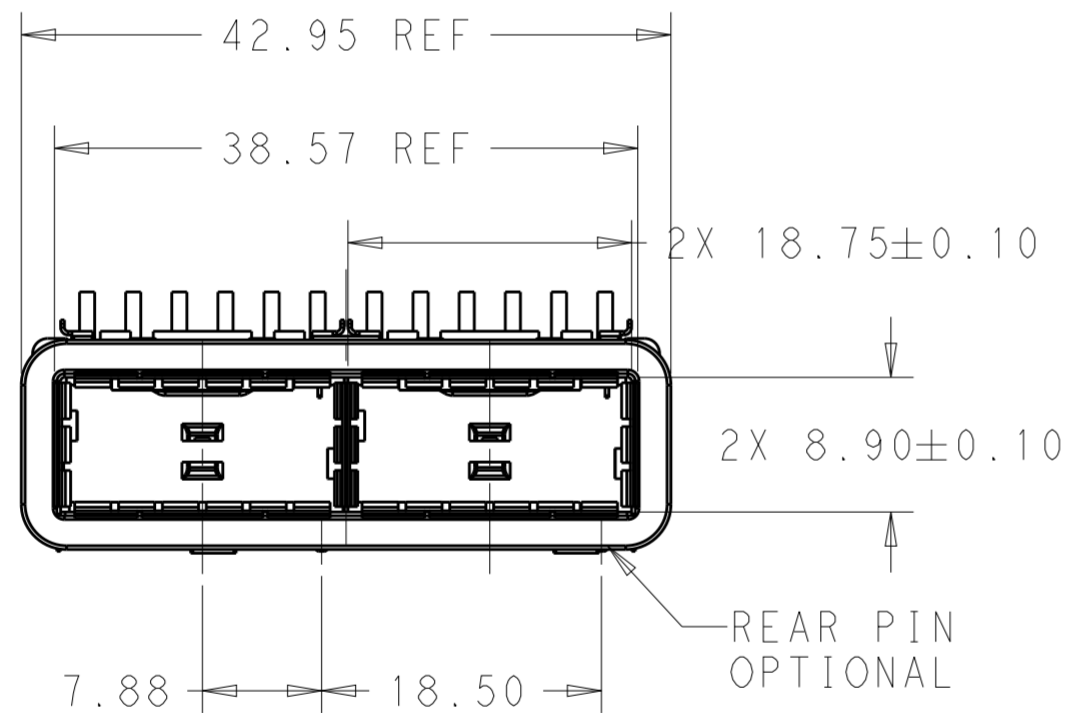
THIS DRAWING IS UNPUBLISHED. RELEASED FOR PUBLICATION 20
 © COPYRIGHT 20 BY - ALL RIGHTS RESERVED.

LOC	DIST	REVISIONS					
GP	00	P	LTR	DESCRIPTION	DATE	DWN	APVD
		A		RELEASE	31DEC2015	JY	SH

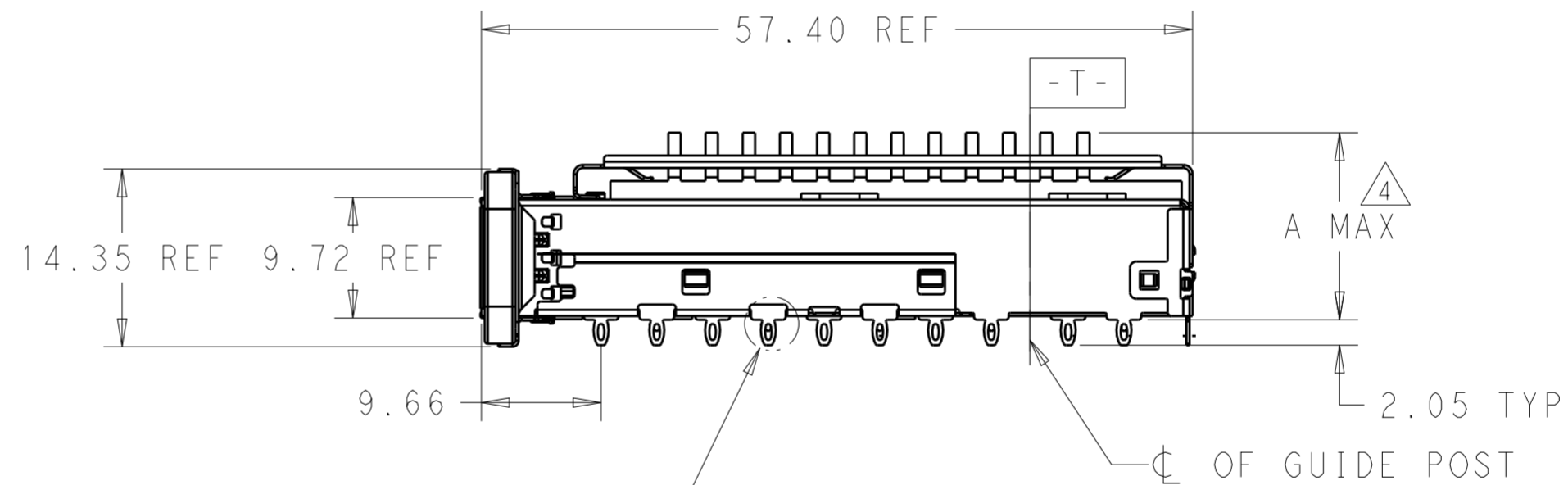


2170812-2 AS SHOWN
SCALE 2:1

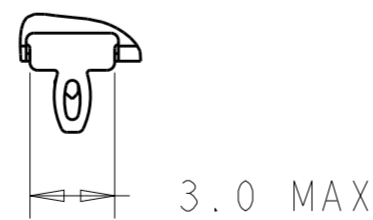
- COMPONENTS
 CAGE ASSEMBLY: NICKEL-SILVER ALLOY
 HEAT SINK: ALUMINUM/BLACK ANODIZE
 HEAT SINK CLIP: STAINLESS STEEL
 EMI SPRING: COPPER ALLOY/NICKEL PLATE
- REFERENCE APPLICATION SPECIFICATION 114-32023 FOR RECOMMENDED DRILL HOLE DIAMETER AND PLATING THICKNESS
- DATUM AND BASIC DIMENSION ESTABLISHED BY CUSTOMER
- DIMENSION APPLIES WITH MODULE INSERTED IN CAGE
- HEAT SINKS, HEAT SINK CLIPS AND LIGHT PIPES ARE SHIPPED ASSEMBLED ON CAGE
- MINIMUM PC BOARD THICKNESS:
 SINGLE SIDED: 1.57 MIN
 DOUBLE SIDED: 3.00 MIN
- DATUM **-A-** IS TOP SURFACE OF THE HOST BOARD.
- THESE HOLES ARE OPTIONAL WHEN THE REAR PINS ARE REMOVED.
- MATES WITH QSFP28 MSA COMPATIBLE TRANSCEIVER.
- DATE CODE (YYWWD) MARKED APPROXIMATELY AS SHOWN.



SCALE 2:1



SEE DETAIL D



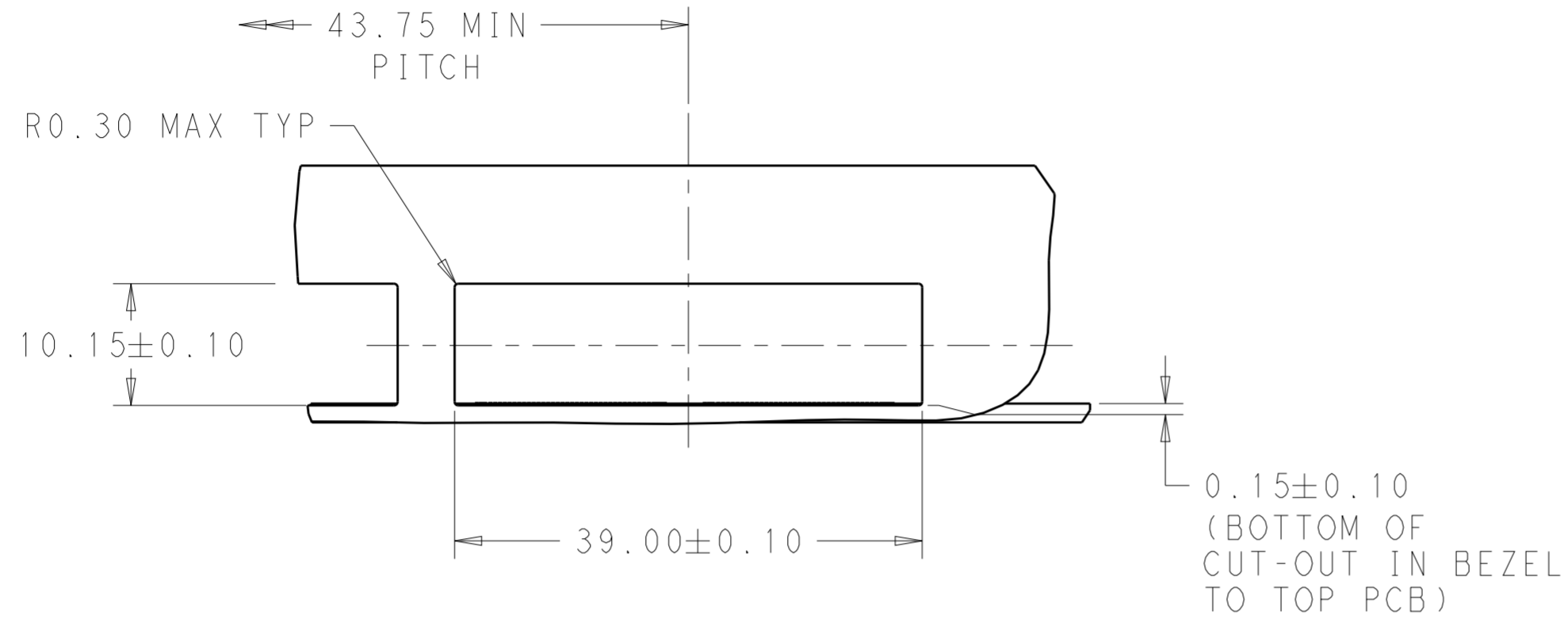
DETAIL D
SCALE 4:1

23.0	WITHOUT	NETWORKING	2170812-6
16.0	WITHOUT	SAN	2170812-5
13.7	WITHOUT	PCI	2170812-4
23.0	WITH	NETWORKING	2170812-3
16.0	WITH	SAN	2170812-2
13.7	WITH	PCI	2170812-1
DIM A	REAR PINS OPTIONAL	APPLICATION	PART NUMBER

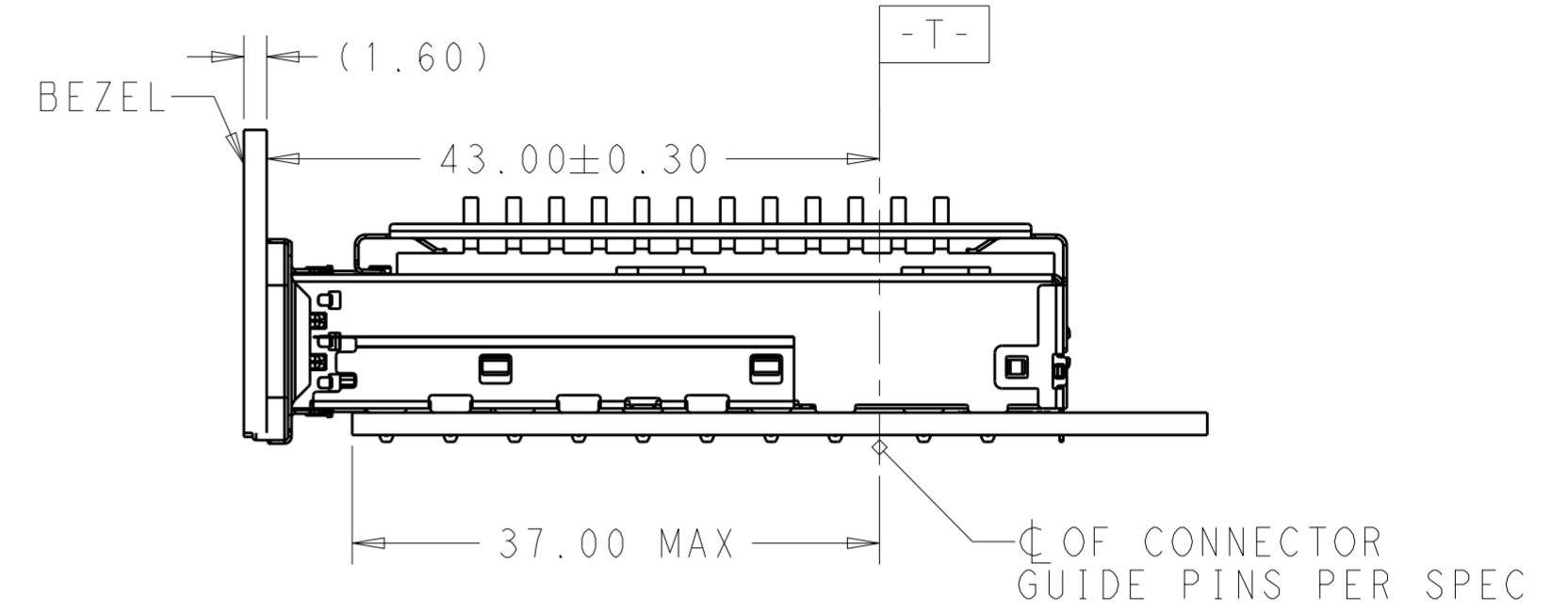
THIS DRAWING IS A CONTROLLED DOCUMENT.		DWN BING LIU 15SEP2014	TE Connectivity	
DIMENSIONS: mm		CHK JASON YANG 15SEP2014		
TOLERANCES UNLESS OTHERWISE SPECIFIED:		APVD SEAN HAN 26OCT2015	NAME RECEPTACLE CAGE ASSEMBLY WITH HEAT SINKS THRU BEZEL, 1X2, QSFP28	
0 PLC ± 1 PLC ±0.25 2 PLC ±0.2 3 PLC ± 4 PLC ±		PRODUCT SPEC 108-19428	SIZE A2	
MATERIAL		APPLICATION SPEC 114-32023	CAGE CODE 00779	DRAWING NO C-2170812
SEE NOTES		WEIGHT -	RESTRICTED TO -	
SEE NOTES		CUSTOMER DRAWING	SCALE 1:1	SHEET 1 OF 5

THIS DRAWING IS UNPUBLISHED. RELEASED FOR PUBLICATION 20
 © COPYRIGHT 20 BY - ALL RIGHTS RESERVED.

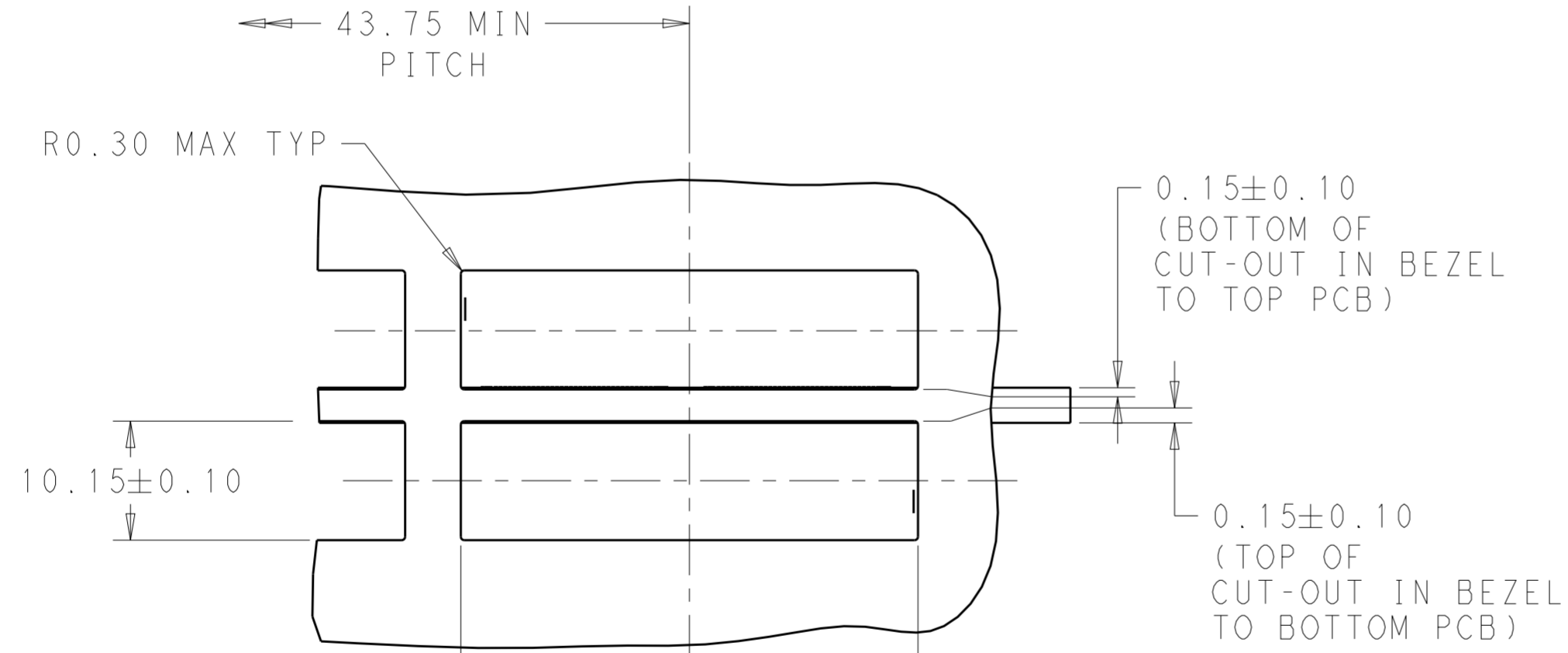
LOC		DIST		REVISIONS			
P	LTR	DESCRIPTION	DATE	DWN	APVD		
-	-	SEE SHEET 1	-	-	-		



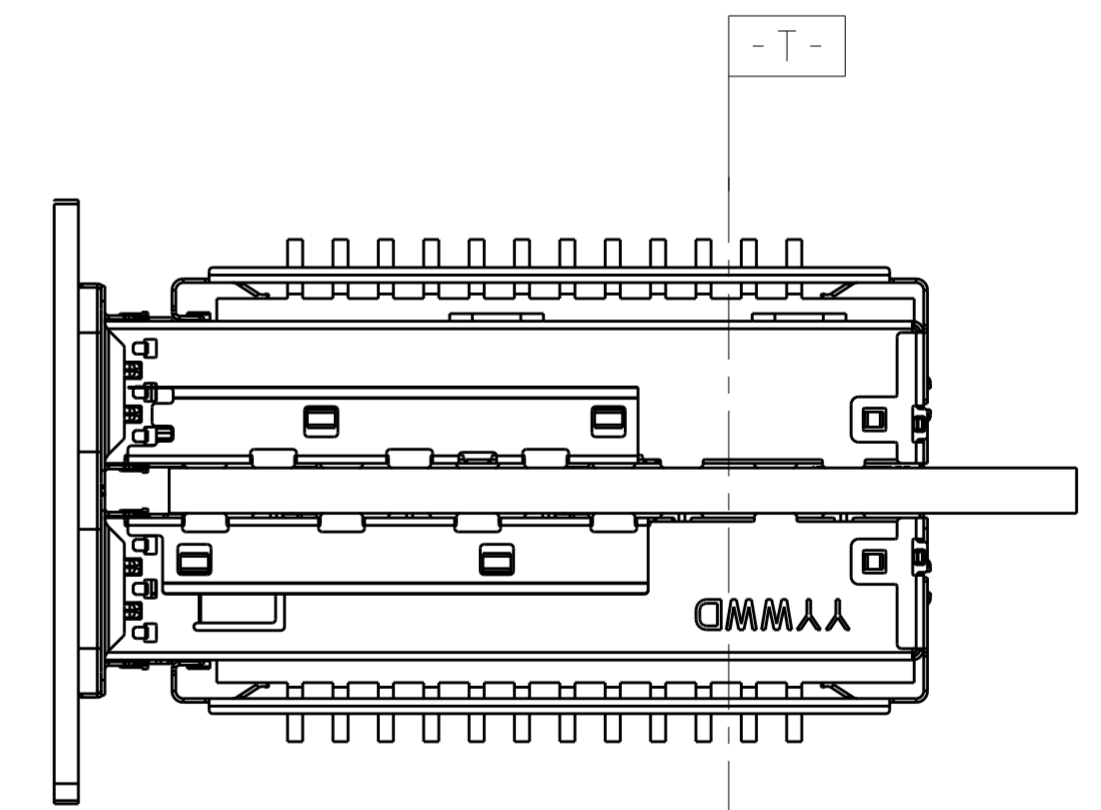
CAGE ASSEMBLY IS OMITTED



SINGLE SIDE MOUNTING
SCALE 2:1



CAGE ASSEMBLY IS OMITTED

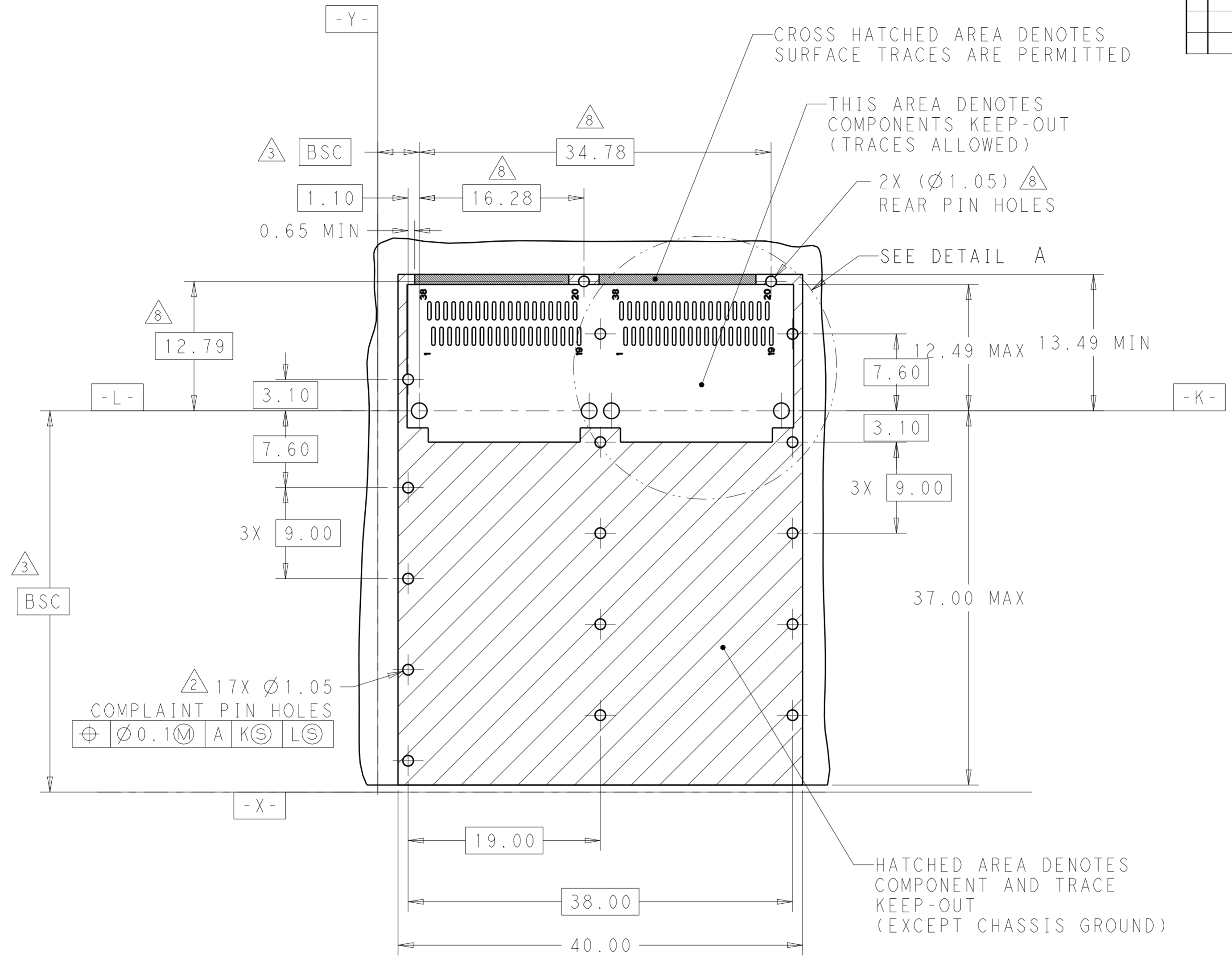


BELLY TO BELLY MOUNTING
SCALE 2:1


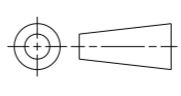
THIS DRAWING IS A CONTROLLED DOCUMENT.		DWN BING LIU 15SEP2014	STE TE Connectivity	
DIMENSIONS: mm		CHK JASON YANG 15SEP2014		
TOLERANCES UNLESS OTHERWISE SPECIFIED:		APVD SEAN HAN 26OCT2015	NAME RECEPTACLE CAGE ASSEMBLY WITH HEAT SINKS THRU BEZEL, 1X2, QSFP28	
0 PLC ± 1 PLC ±0.25 2 PLC ±0.2 3 PLC ± 4 PLC ±		PRODUCT SPEC 108-19428	SIZE A200779	
ANGLES ±		APPLICATION SPEC 114-32023	DRAWING NO C-2170812	
FINISH		WEIGHT -	RESTRICTED TO -	
MATERIAL SEE NOTES material_2		SEE NOTES finish_spec_2		SCALE 1:1 SHEET 2 OF 5 REV A
		Customer Drawing		

THIS DRAWING IS UNPUBLISHED. RELEASED FOR PUBLICATION 20
 © COPYRIGHT 20 BY - ALL RIGHTS RESERVED.

LOC		DIST		REVISIONS			
P	LTR	DESCRIPTION	DATE	DWN	APVD		
-		SEE SHEET 1	-	-	-		

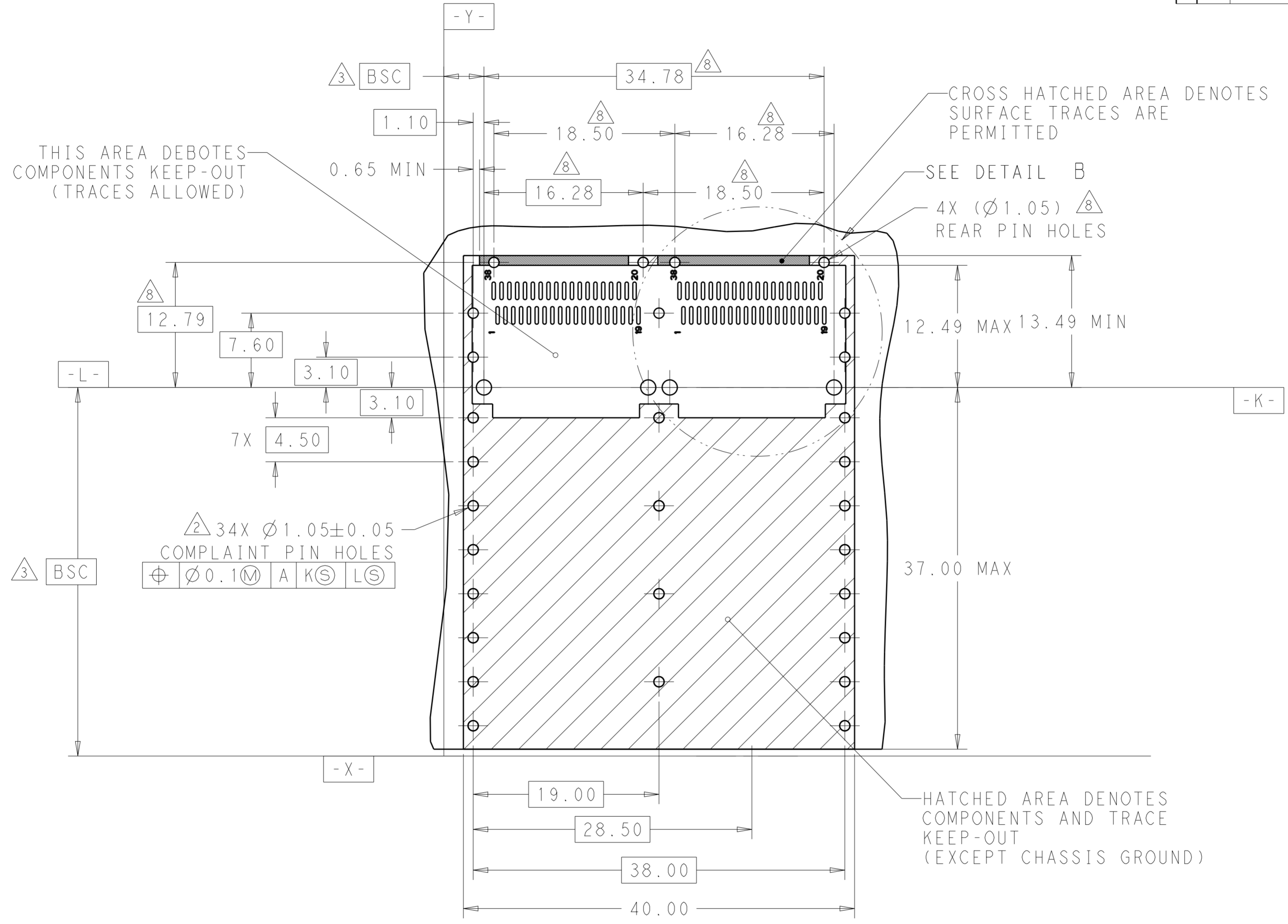


RECOMMENDED PCB LAYOUT
 SINGLE TYPE
 PCB TOLERANCE: ±0.05
 SCALE 3:1

THIS DRAWING IS A CONTROLLED DOCUMENT.		DWN BING LIU 15SEP2014	 TE Connectivity	
DIMENSIONS: mm		CHK JASON YANG 15SEP2014		
TOLERANCES UNLESS OTHERWISE SPECIFIED:		APVD SEAN HAN 26OCT2015	NAME RECEPTACLE CAGE ASSEMBLY WITH HEAT SINKS THRU BEZEL, 1X2, QSFP28	
		PRODUCT SPEC 108-19428	SIZE CAGE CODE DRAWING NO RESTRICTED TO	
MATERIAL SEE NOTES material_2		APPLICATION SPEC 114-32023	A200779 C-2170812	
FINISH SEE NOTES finish_spec_2		WEIGHT -	SCALE 1:1 SHEET 3 OF 5 REV A	
		Customer Drawing		

THIS DRAWING IS UNPUBLISHED. RELEASED FOR PUBLICATION 20
 © COPYRIGHT 20 BY - ALL RIGHTS RESERVED.

LOC		DIST		REVISIONS			
P	LTR	DESCRIPTION	DATE	DWN	APVD		
-	-	SEE SHEET 1	-	-	-		

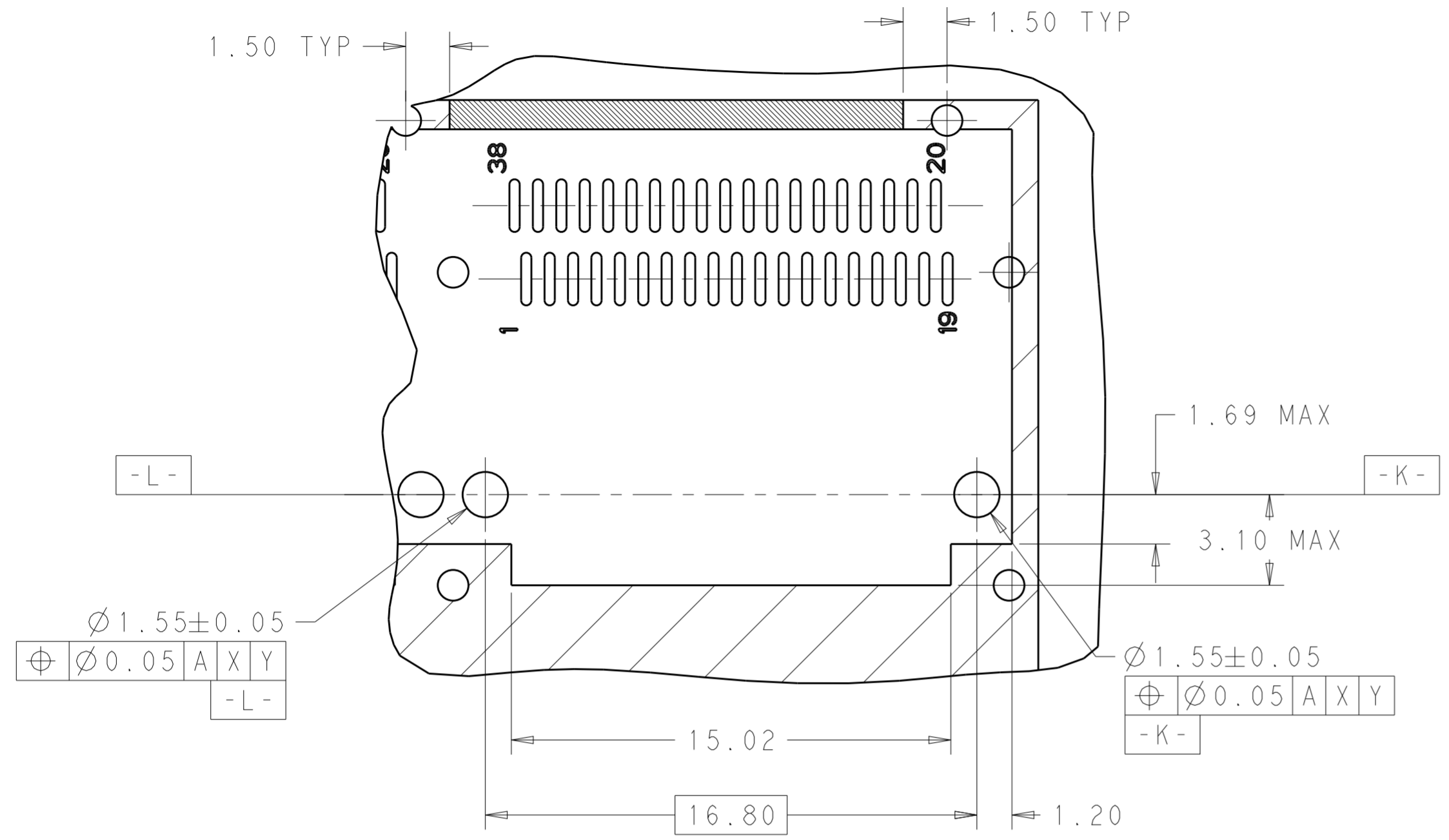


RECOMMENDED PCB LAYOUT
 BELLY TO BELLY TYPE
 PCB TOLERANCE: ±0.05
 SCALE 3:1

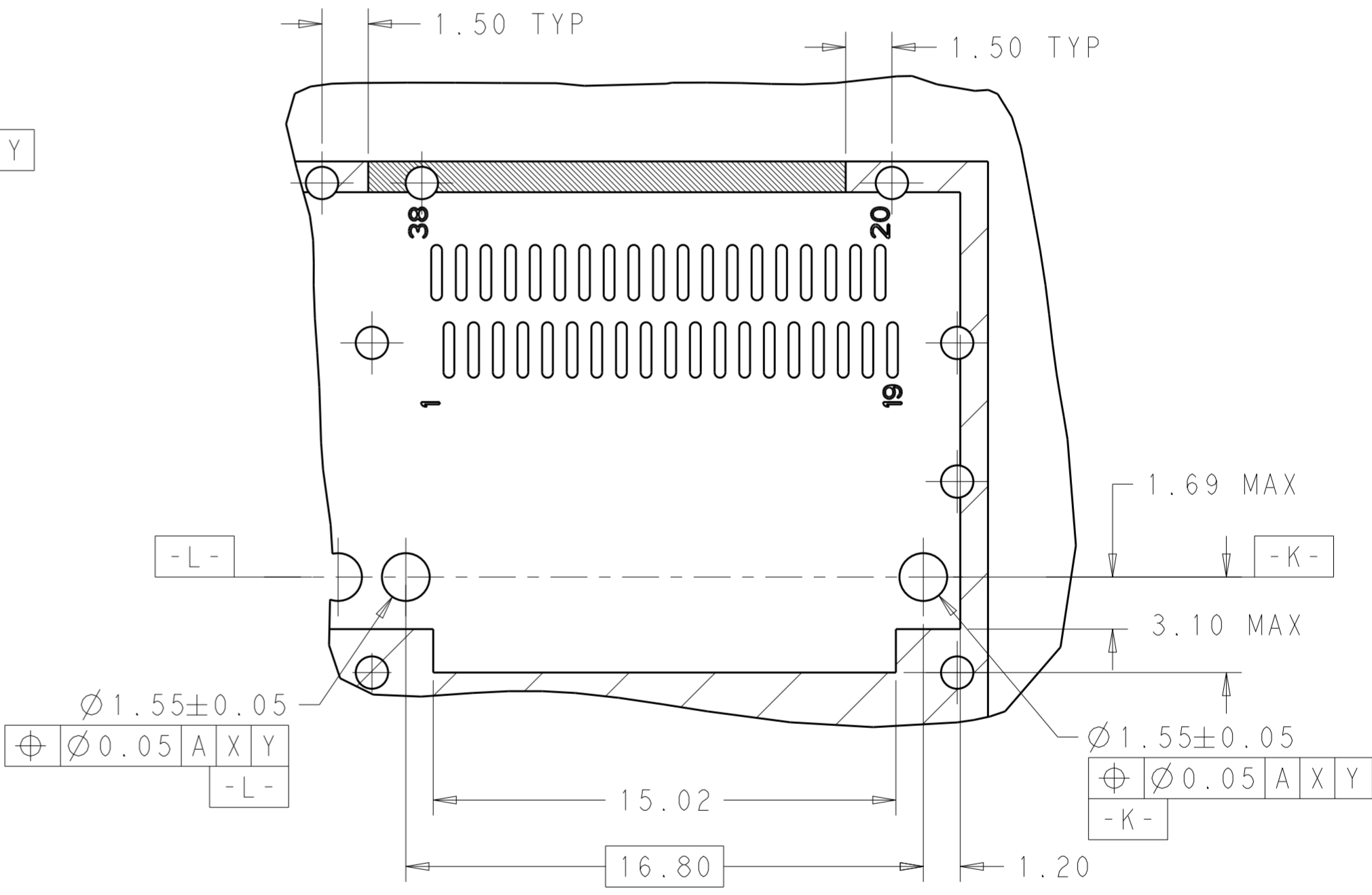
THIS DRAWING IS A CONTROLLED DOCUMENT.		DWN BING LIU 15SEP2014	TE Connectivity
DIMENSIONS: mm		CHK JASON YANG 15SEP2014	
		APVD SEAN HAN 26OCT2015	
TOLERANCES UNLESS OTHERWISE SPECIFIED:		PRODUCT SPEC	NAME
0 PLC ±	1 PLC ±0.25	108-19428	RECEPTACLE CAGE ASSEMBLY WITH HEAT SINKS THRU BEZEL, 1X2, QSFP28
2 PLC ±0.2	3 PLC ±	APPLICATION SPEC	SIZE
4 PLC ±	ANGLES ±	114-32023	CAGE CODE
MATERIAL	FINISH	WEIGHT	DRAWING NO
SEE NOTES material_2	SEE NOTES finish_spec_2	-	A200779C-2170812
Customer Drawing		SCALE 1:1	RESTRICTED TO
		SHEET 4 OF 5	REV A

THIS DRAWING IS UNPUBLISHED. RELEASED FOR PUBLICATION 20
 © COPYRIGHT 20 BY - ALL RIGHTS RESERVED.

LOC	DIST	REVISIONS			
P	LTR	DESCRIPTION	DATE	DWN	APVD
-	-	SEE SHEET 1	-	-	-



DETAIL A
SCALE 6:1



DETAIL B
SCALE 6:1

THIS DRAWING IS A CONTROLLED DOCUMENT.		DWN BING LIU 15SEP2014	STE TE Connectivity	
DIMENSIONS: mm		CHK JASON YANG 15SEP2014		
TOLERANCES UNLESS OTHERWISE SPECIFIED:		APVD SEAN HAN 26OCT2015	NAME RECEPTACLE CAGE ASSEMBLY WITH HEAT SINKS THRU BEZEL, 1X2, QSFP28	
0 PLC ±	1 PLC ±0.25	PRODUCT SPEC 108-19428	SIZE A2	CAGE CODE 00779
2 PLC ±0.2	3 PLC ±	APPLICATION SPEC 114-32023	DRAWING NO C-2170812	RESTRICTED TO -
4 PLC ±	ANGLES ±	WEIGHT -	SCALE 1:1 SHEET 5 OF 5 REV A	
MATERIAL SEE NOTES material_2	FINISH SEE NOTES finish_spec_2	Customer Drawing		

Mouser Electronics

Authorized Distributor

Click to View Pricing, Inventory, Delivery & Lifecycle Information:

[TE Connectivity:](#)

[2170812-2](#)