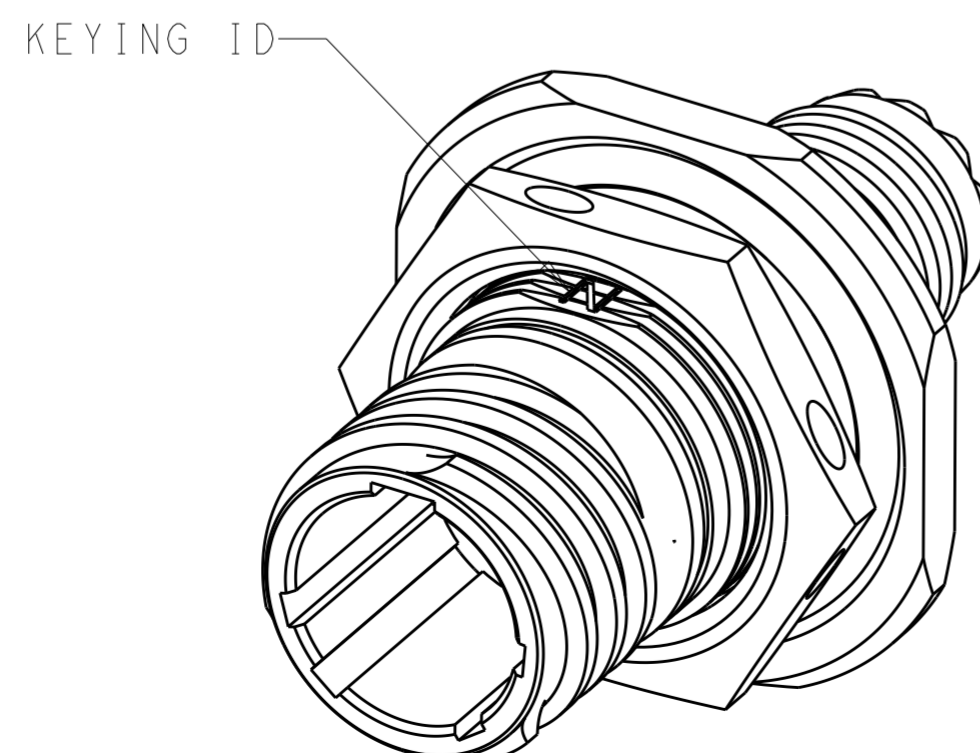
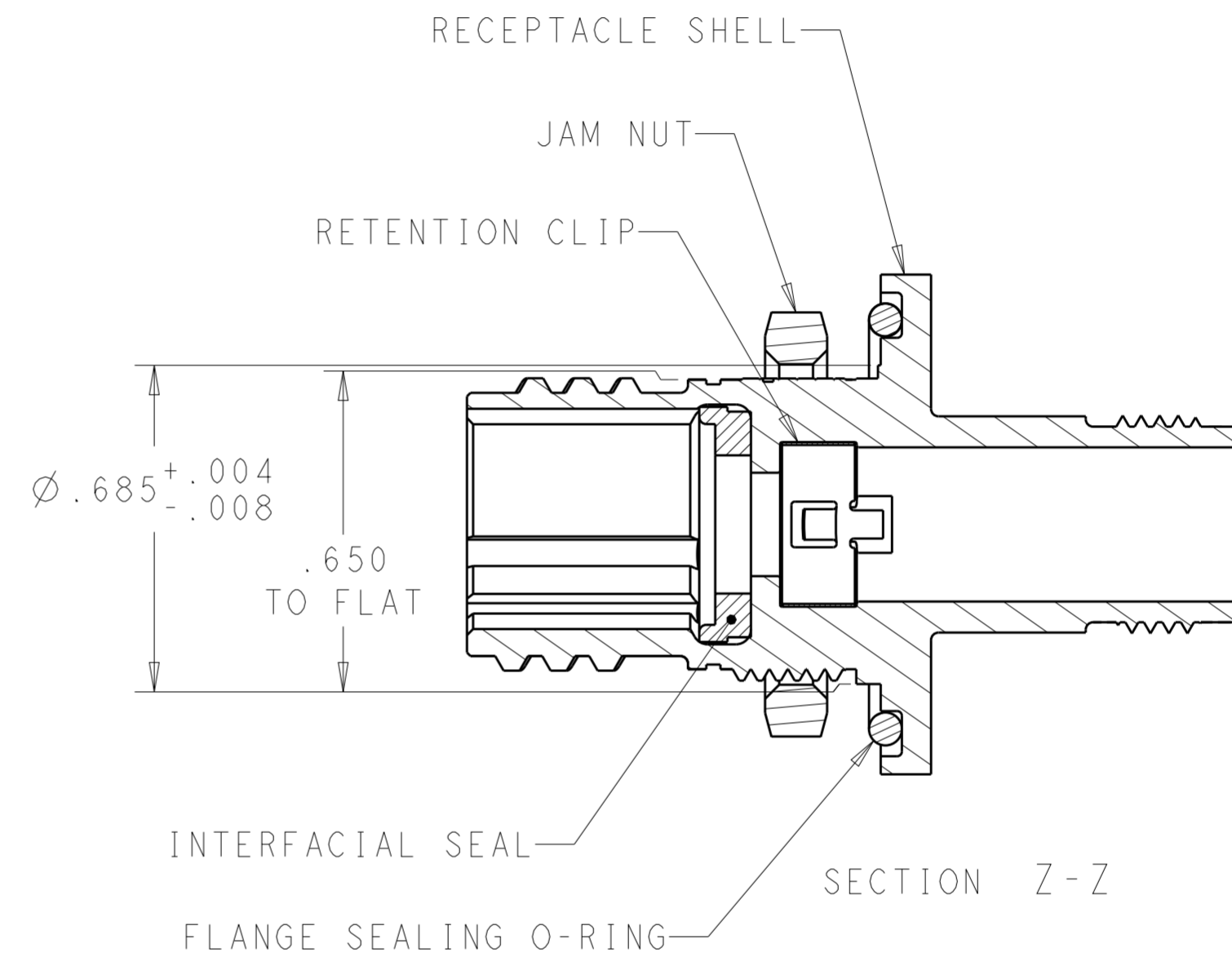
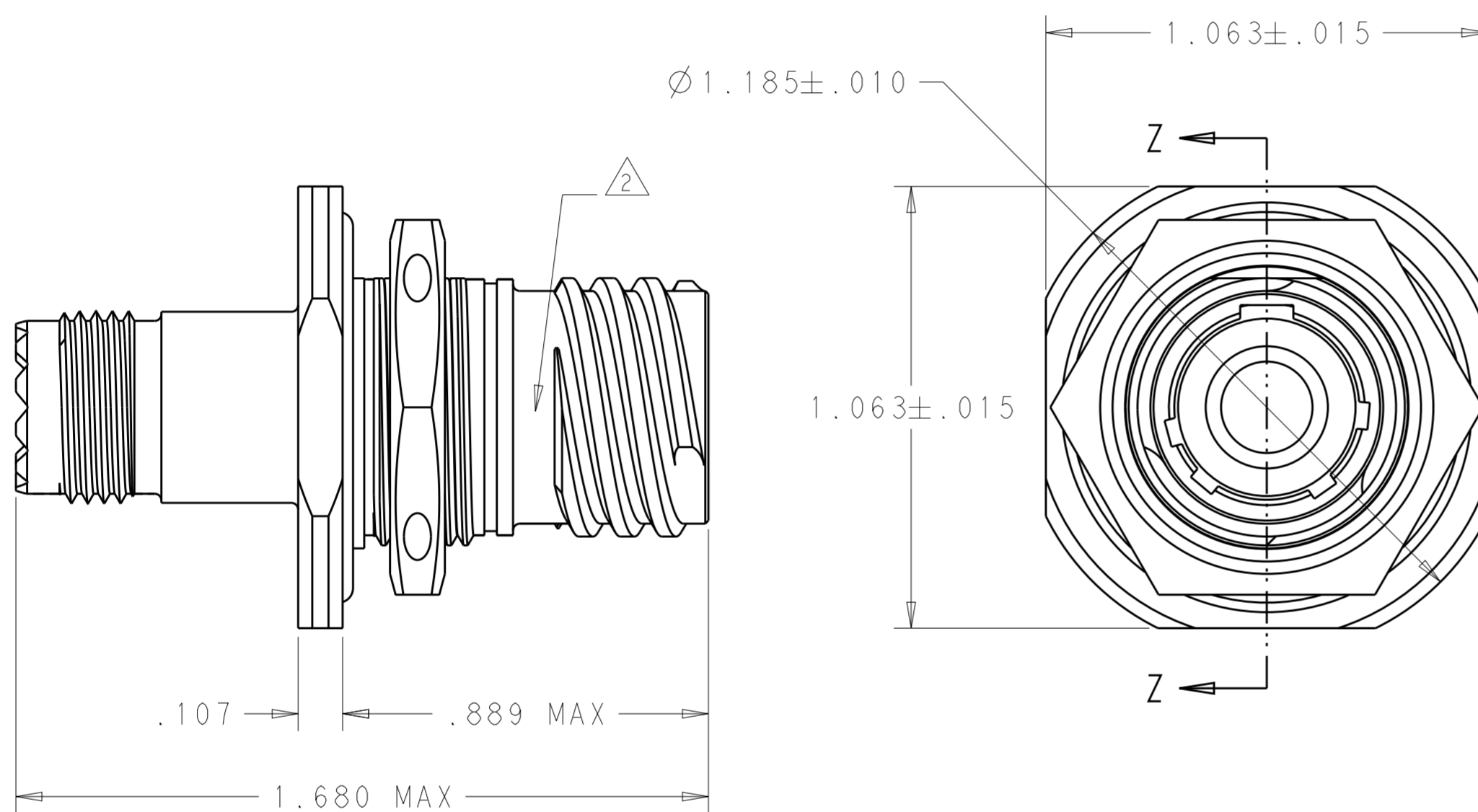


REVISIONS				
P	LTR	DESCRIPTION	DATE	APVD
D		REV PER ECO 20-005188	4-20-20	CT DM

1 MATERIAL AND FINISH:  
 CONNECTOR SHELL: 6061-T6 ALUMINUM - SEE TABLE FOR PLATING  
 QUADRAX RETENTION CLIP: SILVER PLATED STAINLESS STEEL  
 JAM NUT: 6061-T6 ALUMINUM - SEE TABLE FOR PLATING  
 FLANGE SEALING O-RING: VITON RUBBER  
 INTERFACIAL SEAL: SILICONE RUBBER

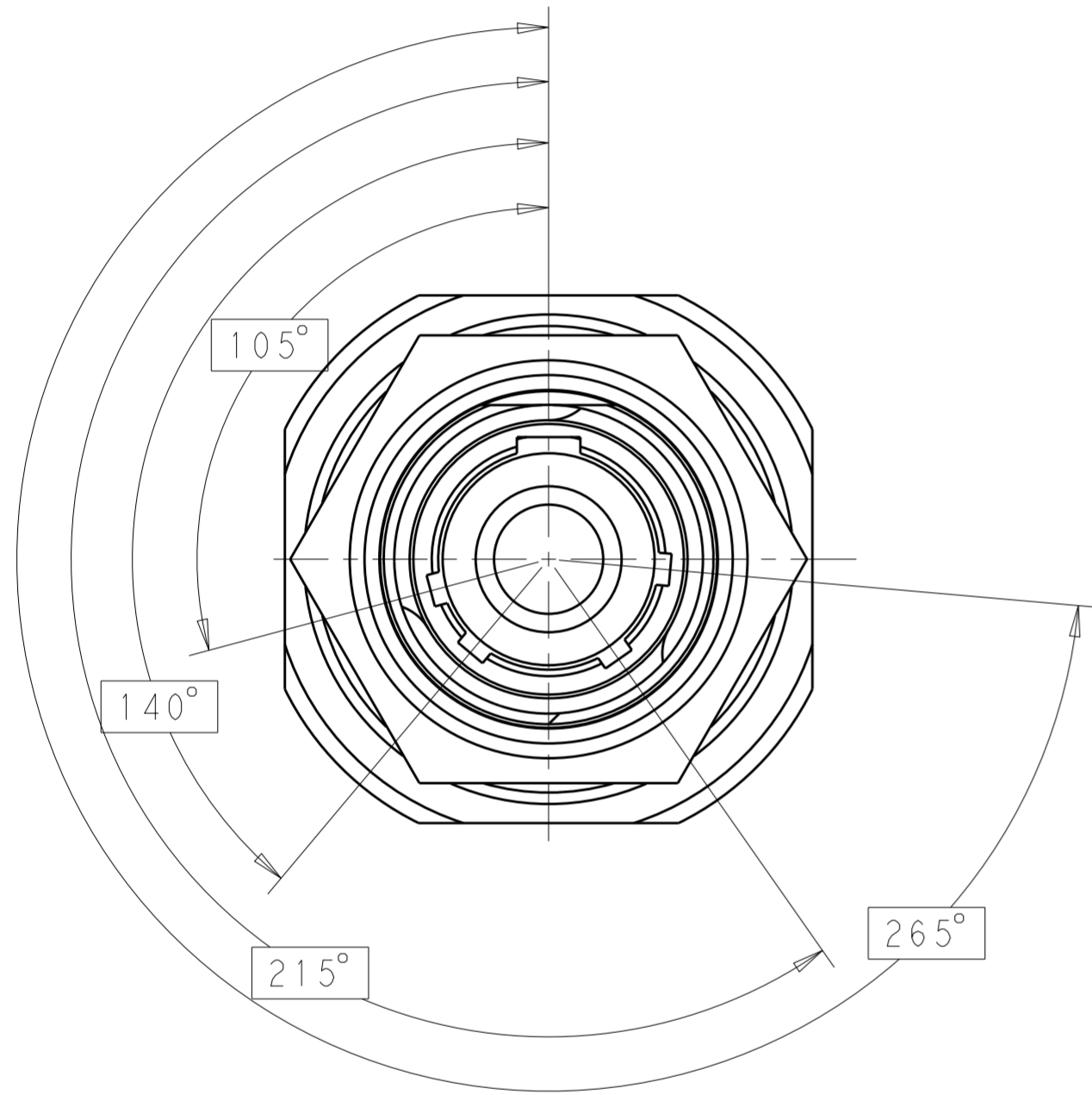
2 PART IS MARKED WITH TE CONNECTIVITY PART NUMBER (SEE TABLE),  
 TE, TE CAGE CODE (00779) AND DATE CODE.



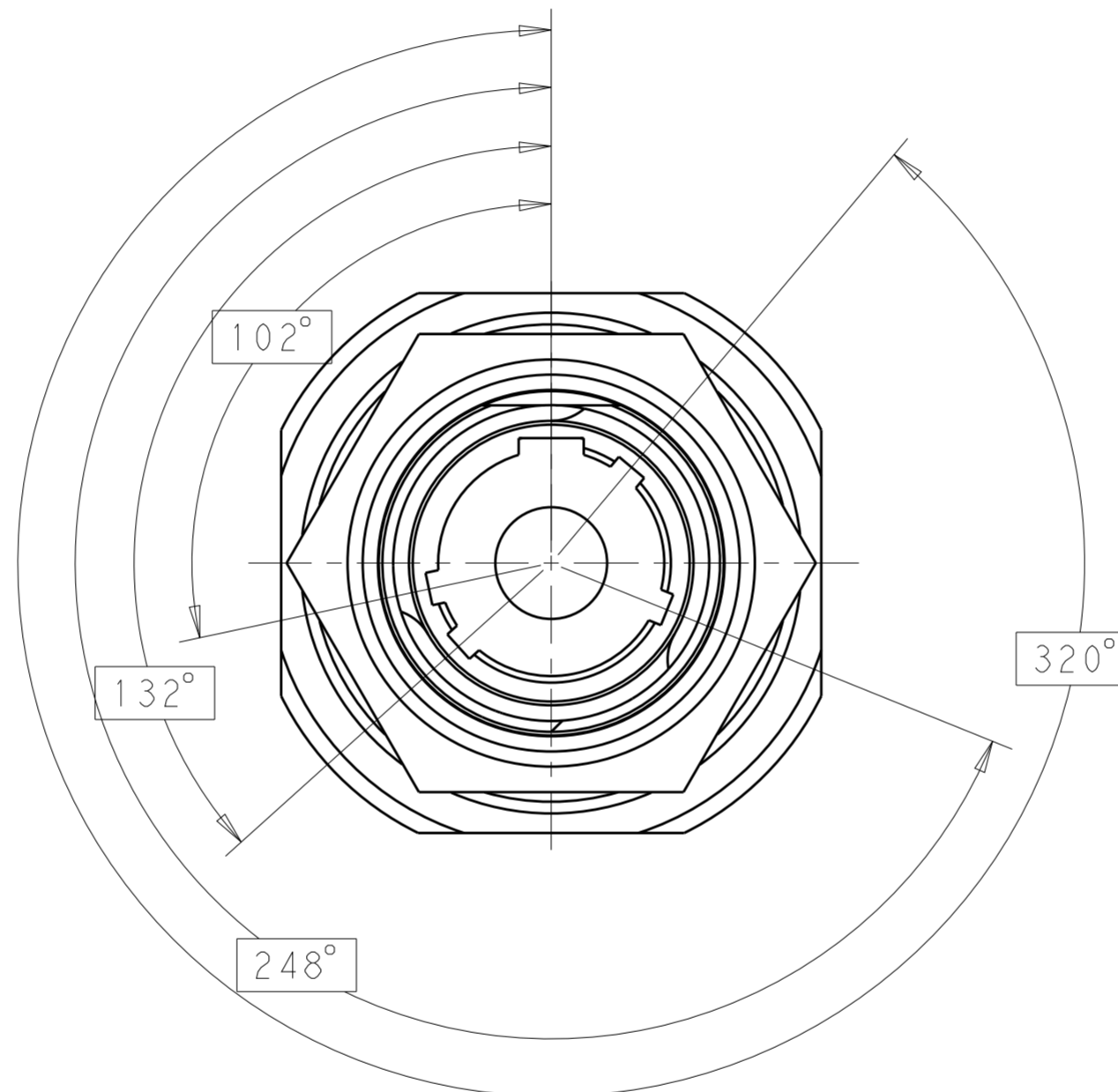
OLIVE DRAB	"B" KEY	2157694-6
OLIVE DRAB	"A" KEY	2157694-5
OLIVE DRAB	"N" KEY	2157694-4
NICKEL	"B" KEY	2157694-3
NICKEL	"A" KEY	2157694-2
NICKEL	"N" KEY	2157694-1
FINISH	38999 KEYING	PART NUMBER

THIS DRAWING IS A CONTROLLED DOCUMENT.		DWN K. GLATFELTER 06OCT2011	TE Connectivity	
DIMENSIONS: INCHES		CHK D. MILLER 06OCT2011		
TOLERANCES UNLESS OTHERWISE SPECIFIED:		APVD D. MILLER 06OCT2011	NAME RECEPTACLE, 38999 SERIES III, SIZE 9, JAM NUT STYLE, SINGLE QUADRAX	
0 PLC ±	1 PLC ±	PRODUCT SPEC	SIZE CAGE CODE DRAWING NO	
2 PLC ±	3 PLC ±.005	APPLICATION SPEC	RESTRICTED TO	
4 PLC ±	ANGLES ±	WEIGHT	A200779 C-2157694	
FINISH		CUSTOMER DRAWING	SCALE 3:1	SHEET 1 OF 2 REV D

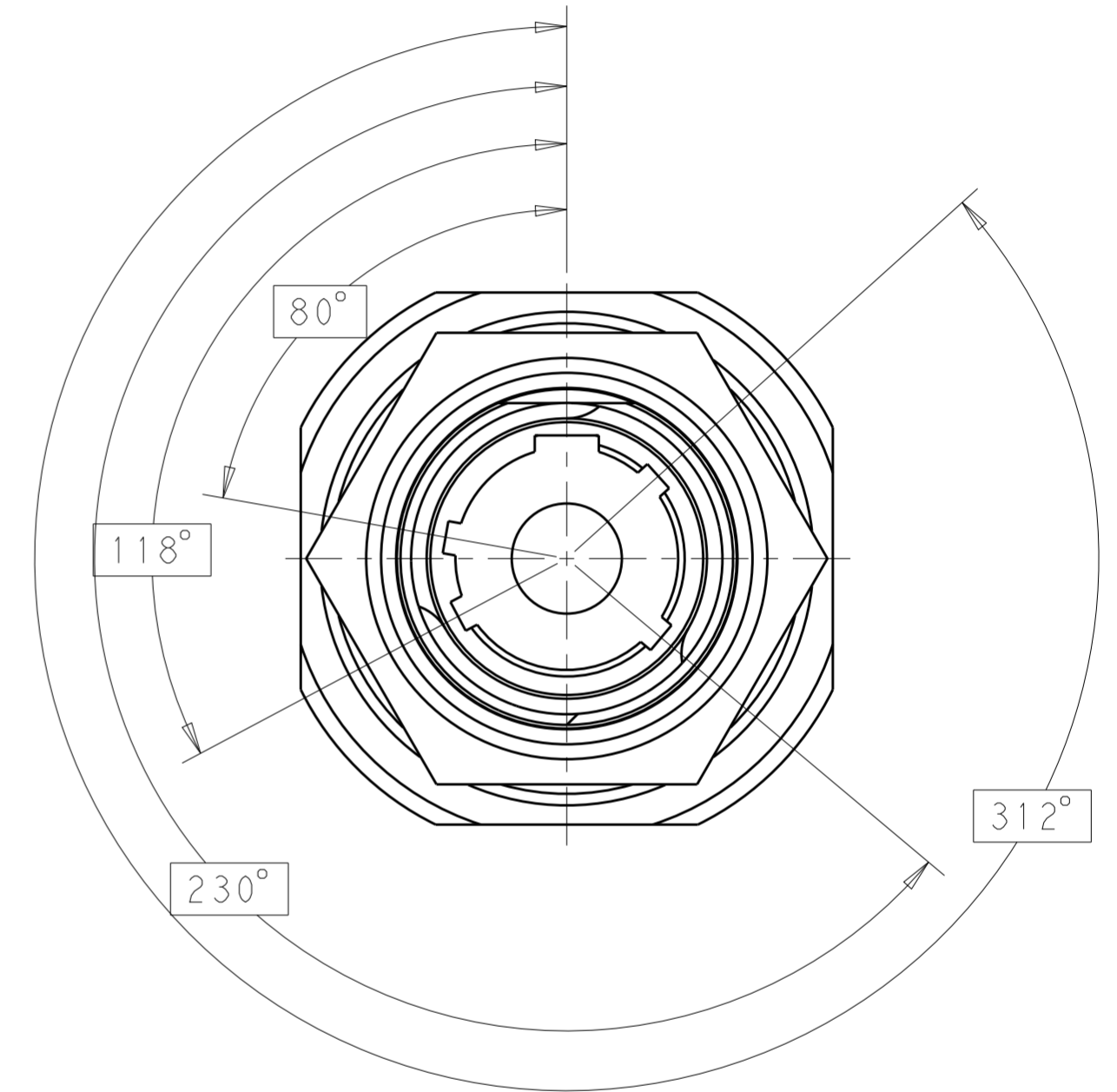
P	LTR	DESCRIPTION	DATE	DWN	APVD
-		SEE SHEET 1	-	-	-




"N" 38999 KEYING



"A" 38999 KEYING



"B" 38999 KEYING

THIS DRAWING IS A CONTROLLED DOCUMENT.		DWN K. GLATFELTER 06OCT2011	 TE Connectivity
DIMENSIONS: INCHES		CHK D. MILLER 06OCT2011	
TOLERANCES UNLESS OTHERWISE SPECIFIED:		APVD D. MILLER 06OCT2011	NAME RECEPTACLE, 38999 SERIES III, SIZE 9, JAM NUT STYLE, SINGLE QUADRAX
0 PLC ±	1 PLC ±	PRODUCT SPEC	SIZE
2 PLC ±	3 PLC ±	APPLICATION SPEC	CAGE CODE
4 PLC ±	ANGLES ±	WEIGHT	DRAWING NO
FINISH			RESTRICTED TO
MATERIAL material_2	FINISH finish_spec_2	CUSTOMER DRAWING	A200779C-2157694
		SCALE 3:1	SHEET 2 OF 2
			REV D

# Mouser Electronics

Authorized Distributor

Click to View Pricing, Inventory, Delivery & Lifecycle Information:

[TE Connectivity:](#)

[2157694-4](#)