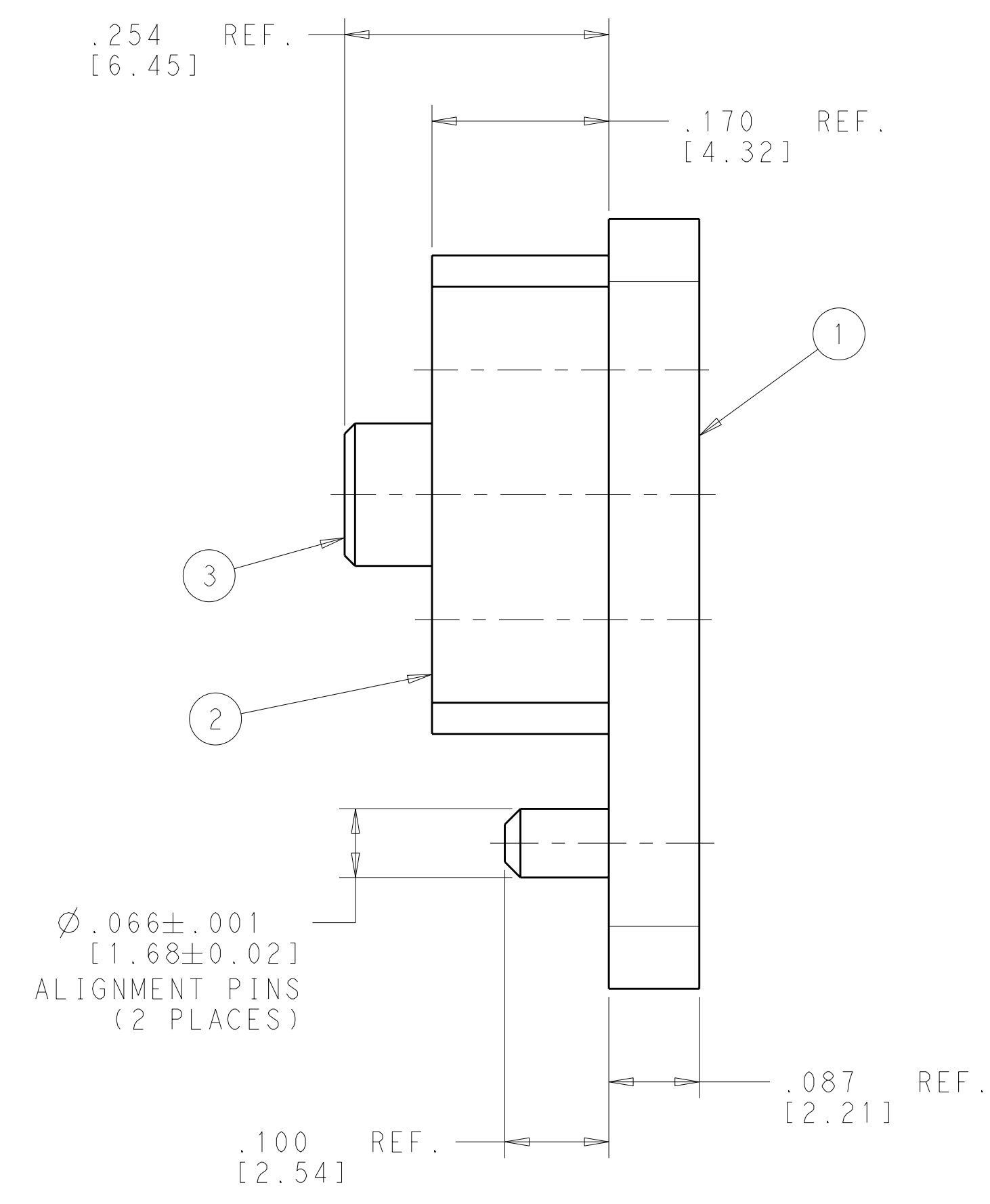
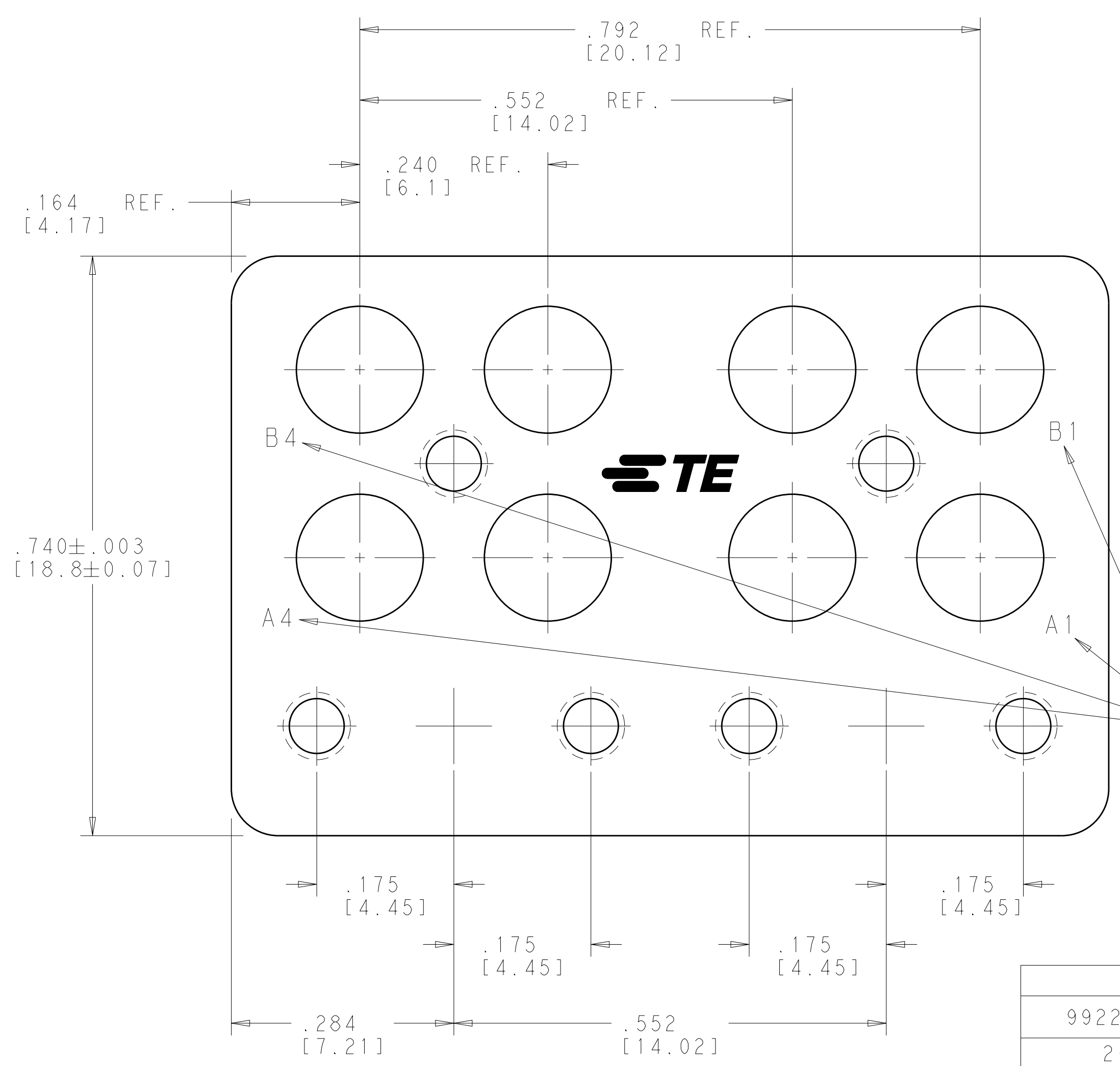
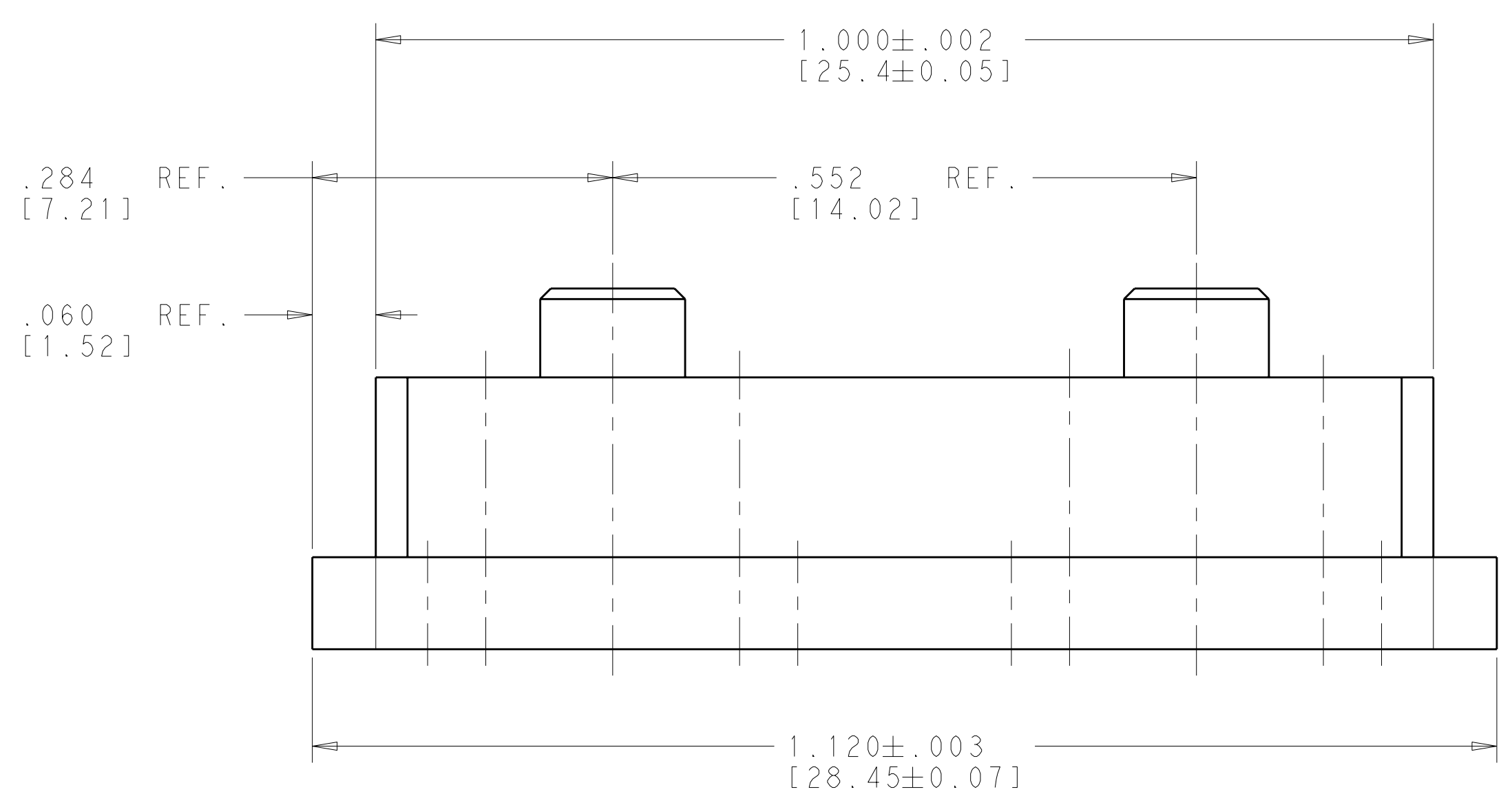
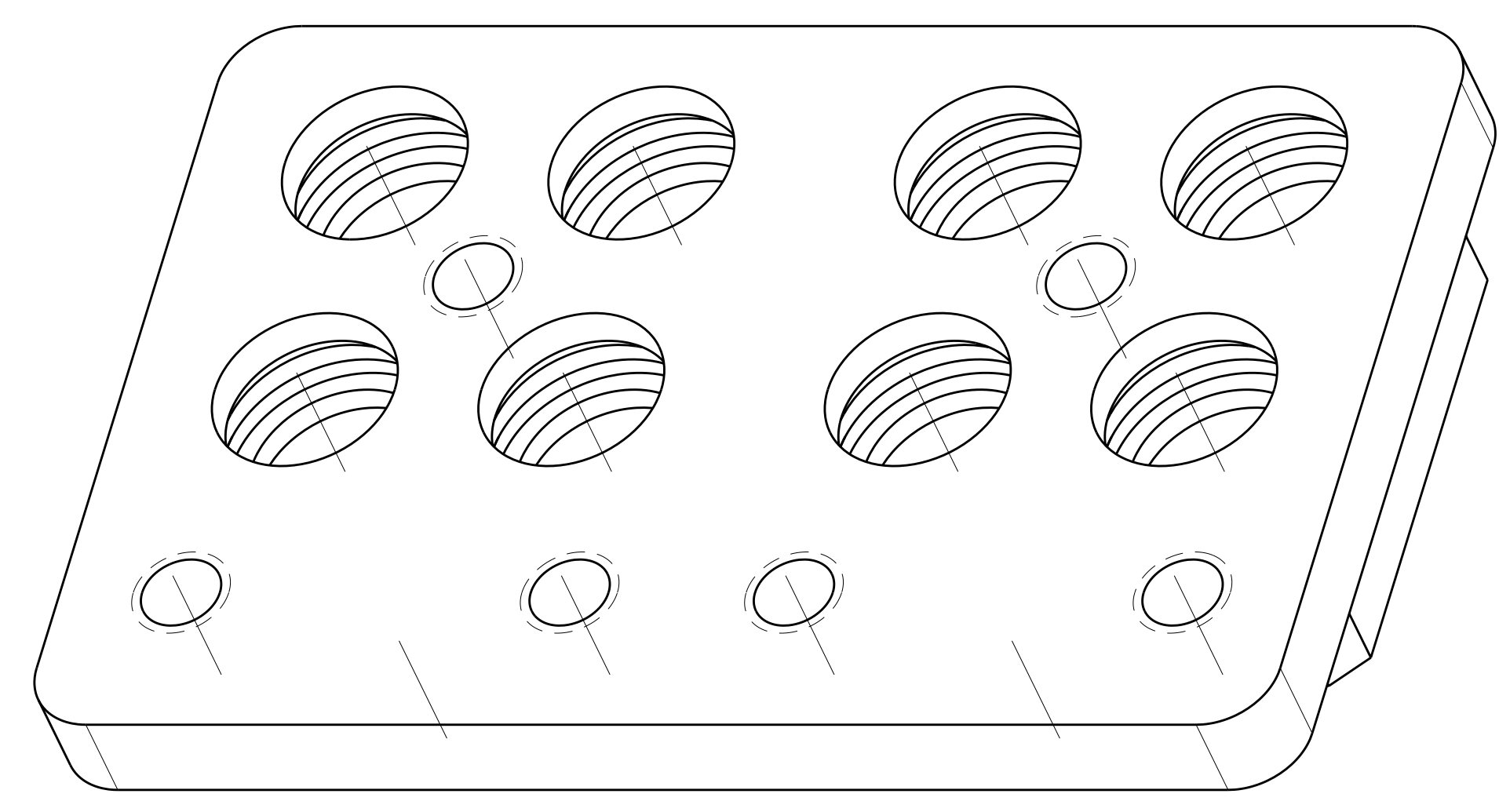


LOC	DIST	REV	DATE	BY	APPD
-	-	4	03JAN2011	STM	STM
-	-	5	22MAR2011	STM	STM
-	-	6	12APR2011	STM	STM



CAVITY IDENTIFICATION

THIS PRINT IS
PRELIMINARY
 UNQUALIFIED PRODUCT
 CONTACT PRODUCT ENGINEERING
 BEFORE USING THIS PRINT

FOR REFERENCE ONLY			
992210-6	2101976-3	2101975-4	2157192-1
③ 2-56 UNC CAPTIVE SCREW QTY = 2	② CONNECTOR PLATE QTY = 1	① MOUNTING PLATE QTY = 1	PART NUMBER

THIS DRAWING IS A CONTROLLED DOCUMENT.		DWN S.T. Morley 28DEC2010	TE Connectivity NAME 8 POSITION R.F. BACKPLANE MODULE SIMILAR TO 2101762-1 EXCEPT SEPARATE CONTACTS SIZE CAGE CODE DRAWING NO RESTRICTED TO A100779C=2157192
DIMENSIONS: INCHES[mm]		CHK S.T. Morley 28DEC2010	
TOLERANCES UNLESS OTHERWISE SPECIFIED:		APVD S.T. Morley 28DEC2010	PRODUCT SPEC
0 PLC ±.1 1 PLC ±.01 2 PLC ±.002 3 PLC ±.0005 ANGLES ±.1		APPLICATION SPEC	WEIGHT
MATERIAL		FINISH	CUSTOMER DRAWING
SCALE 8:1		SHEET 1 OF 1	REV 6

Mouser Electronics

Authorized Distributor

Click to View Pricing, Inventory, Delivery & Lifecycle Information:

[TE Connectivity:](#)

[2157192-1](#)