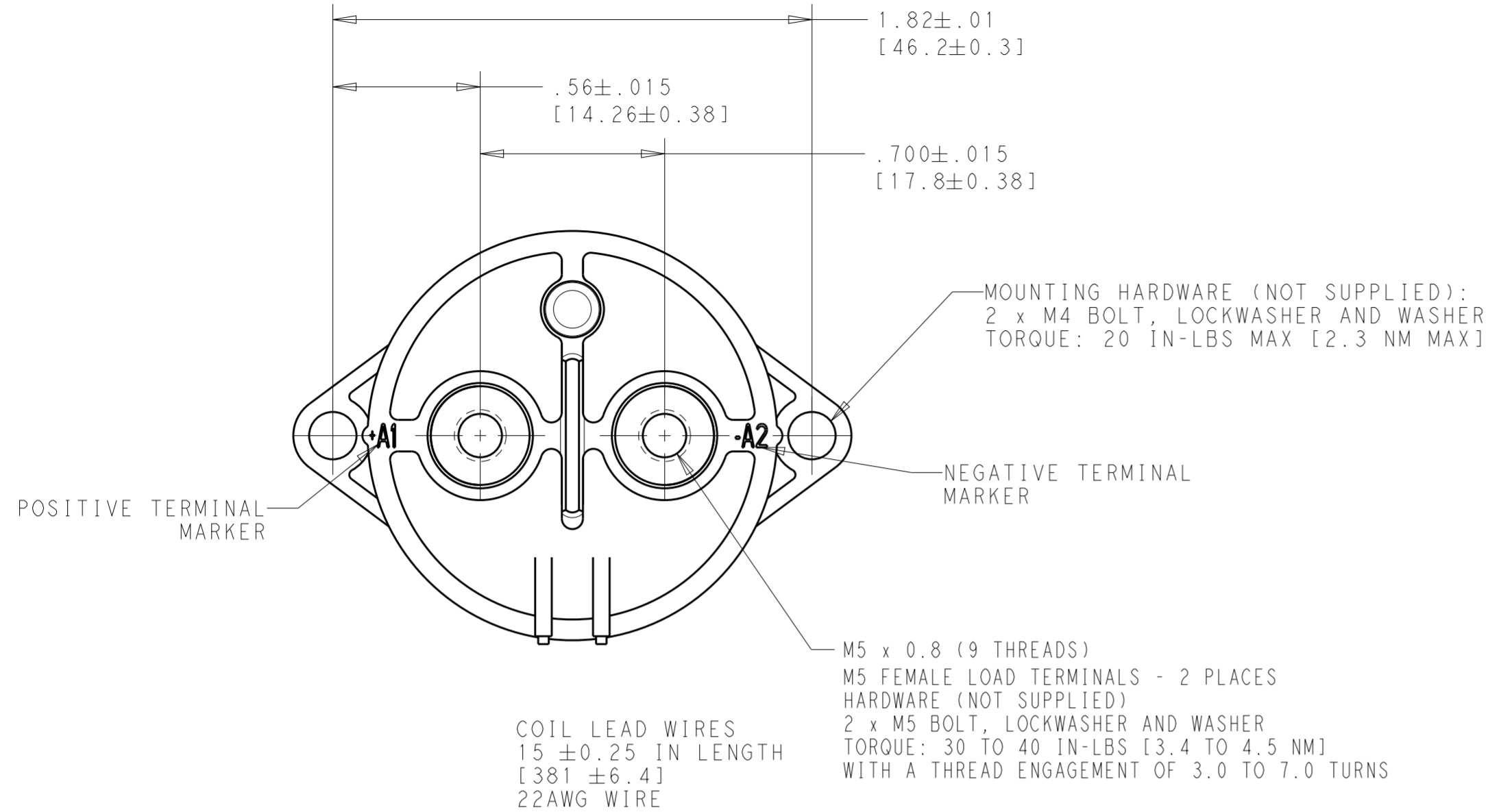
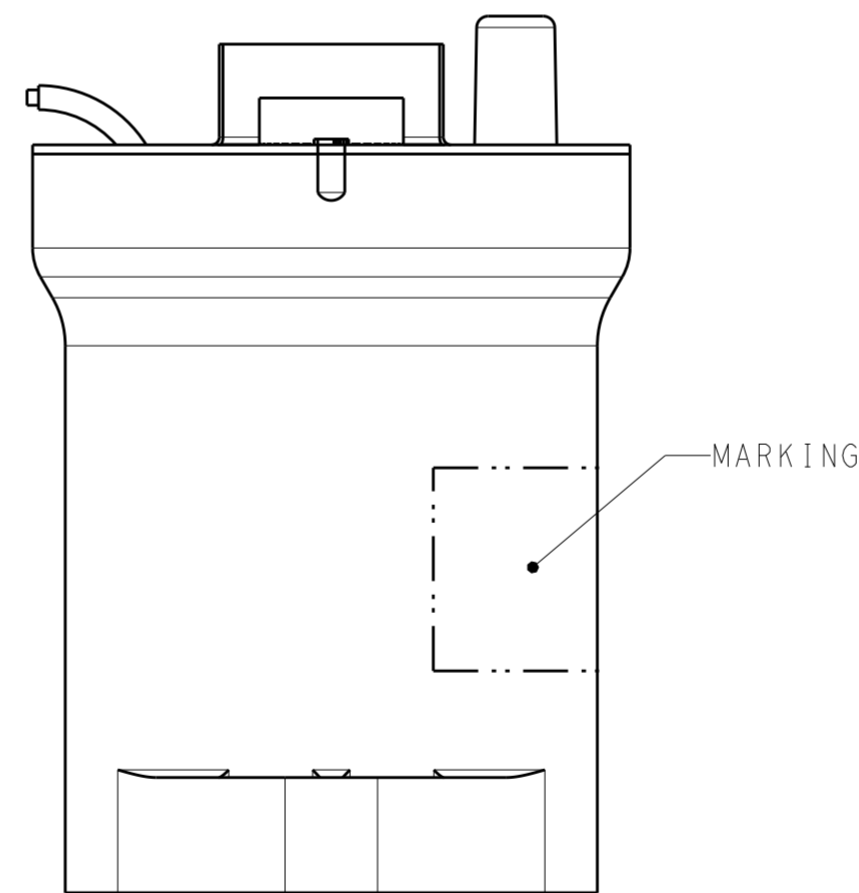
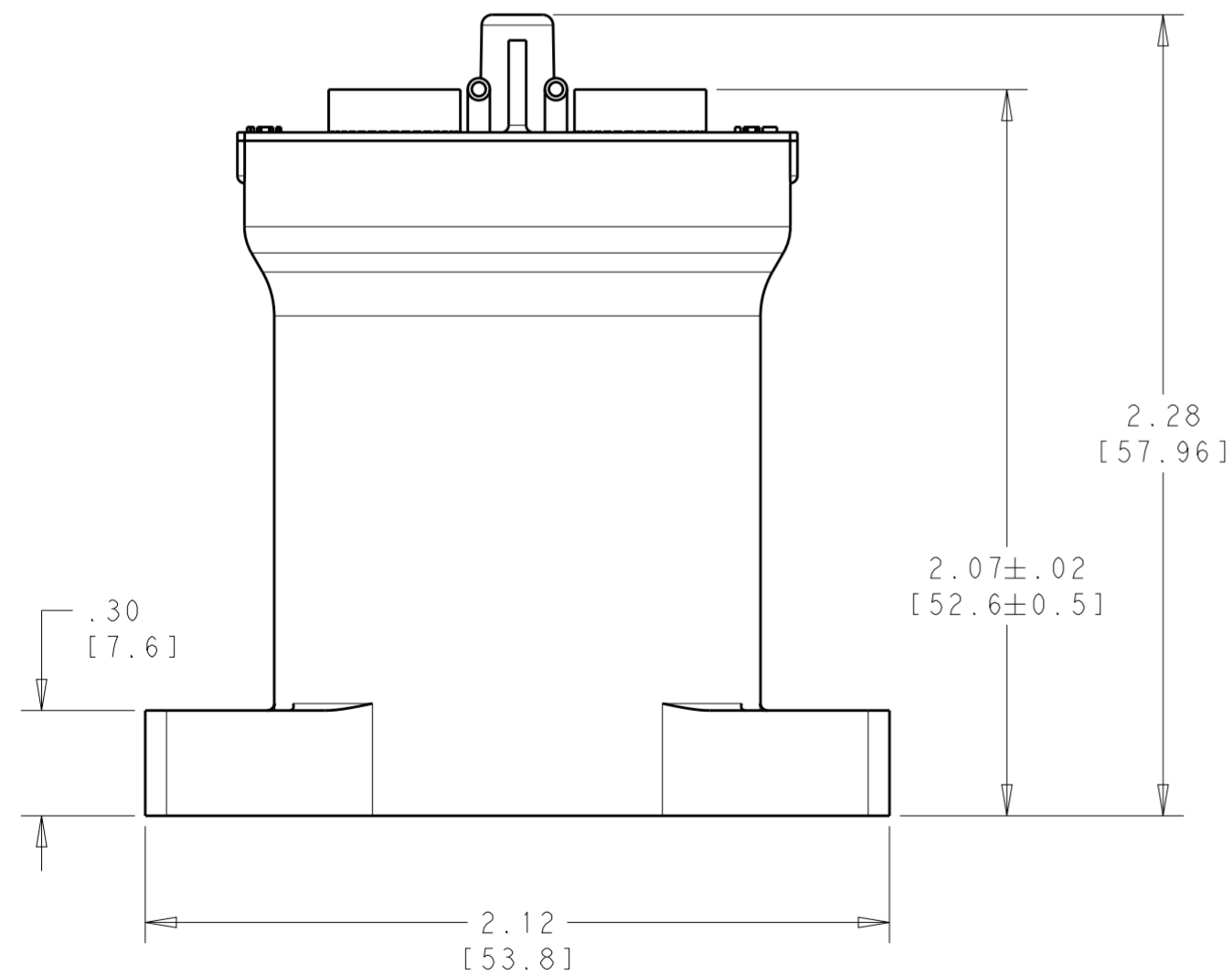


P	LTR	DESCRIPTION	DATE	DWN	APVD
D		REVISED PER ECO-13-010454	28JUN2013	DD	TB
D1		REVISED PER ECO 13-012081	30JUL2013	KW	TB
E		REVISED PER ECO-20-009229	07JUL2020	JMS	BR



- 8.4mm<sup>2</sup> conductor. Current rating depends upon conductor size. Keep terminals below 150°C maximum continuous.
- 3 minutes @ +40°C ambient with 8.4mm<sup>2</sup> (#8AWG) conductor.



LABEL WITH DATA MATRIX	2138622-3
LABEL WITH BARCODE	2138622-2
LABEL WITHOUT BARCODE	2138622-1
DESCRIPTION	PART NUMBER

THIS DRAWING IS A CONTROLLED DOCUMENT.

DWN	D. DRUMMOND	12 JUL 2011
CHK	T. BLACKMON	12 JUL 2011
APVD	T. BLACKMON	12 JUL 2011

TE Connectivity

CUSTOMER DATA SHEET  
 EVC135 RELAY, WITH 26 OHM COIL  
 (15 INCH WIRE)

SIZE	CAGE CODE	DRAWING NO	RESTRICTED TO
A2	00779	C-2138622	

CUSTOMER DRAWING SCALE 2:1 SHEET 1 OF 1 REV E

# Mouser Electronics

Authorized Distributor

Click to View Pricing, Inventory, Delivery & Lifecycle Information:

[TE Connectivity:](#)

[2138622-1](#)