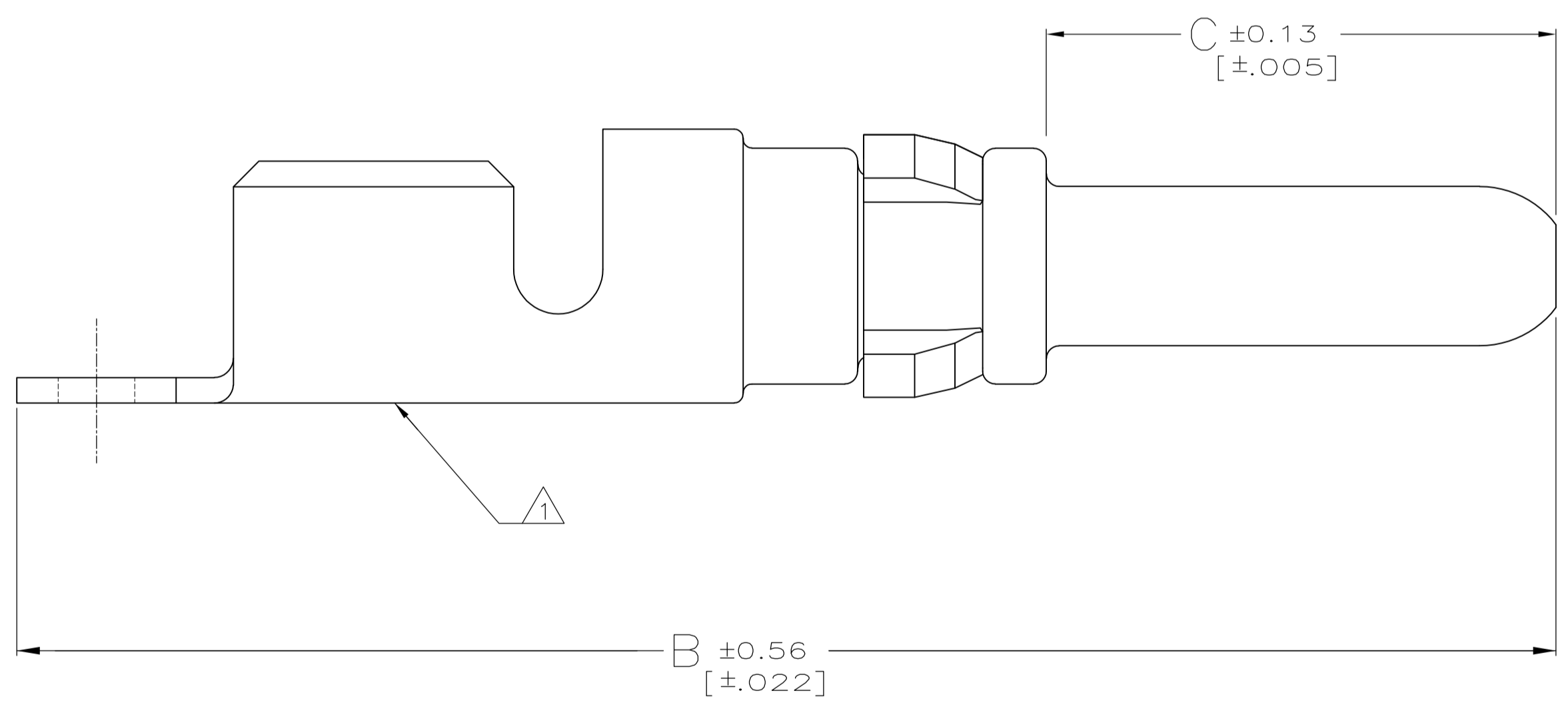
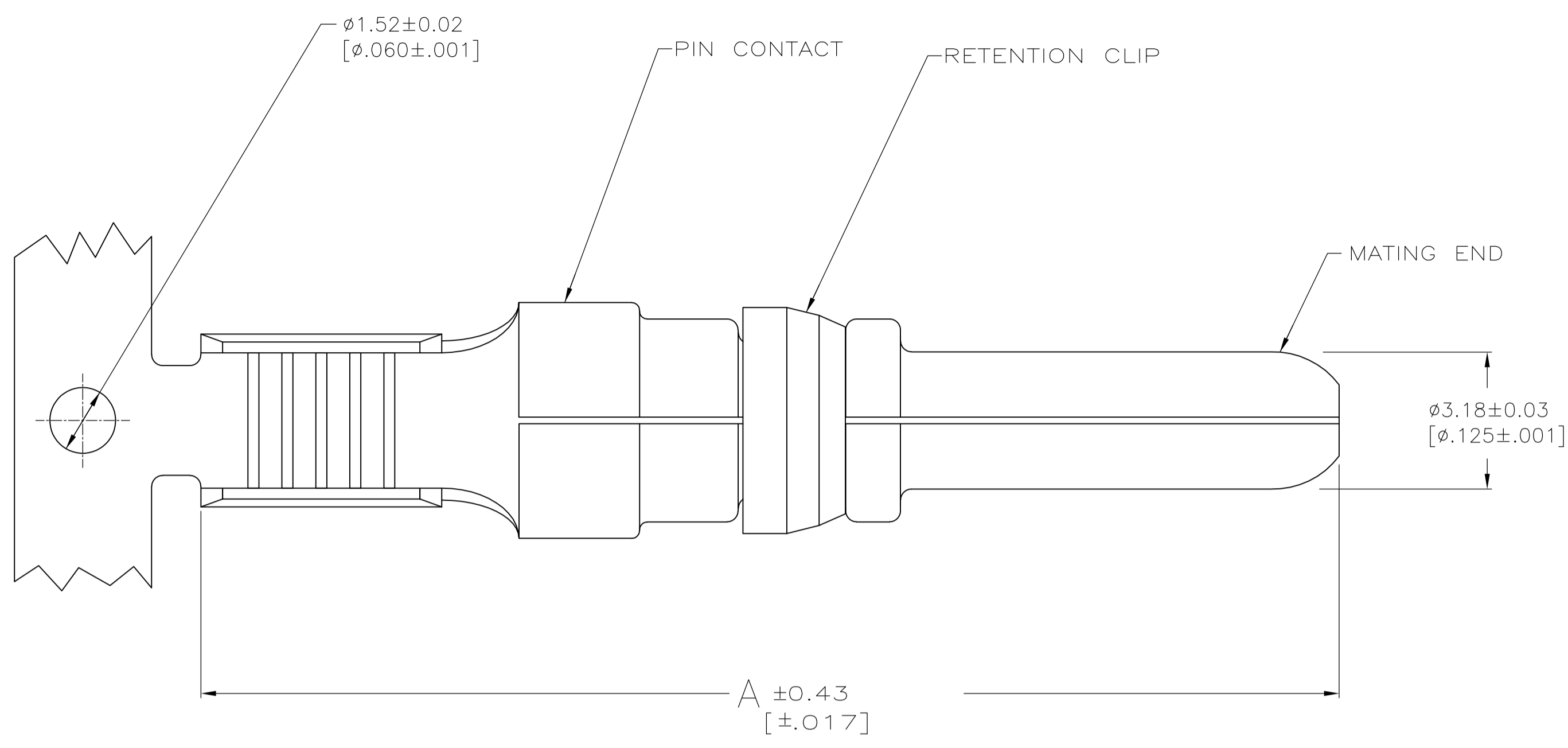
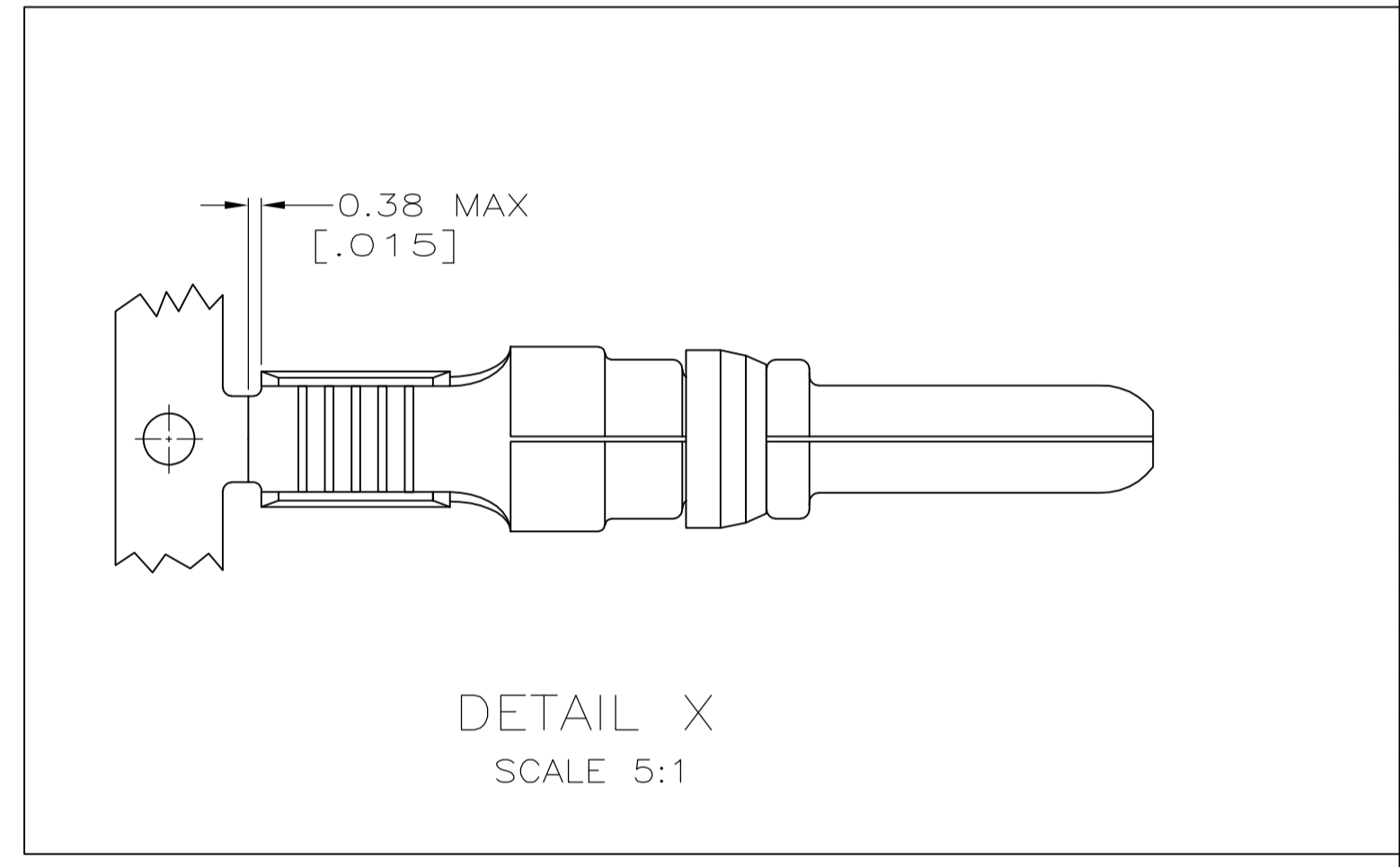


REVISIONS					
P	LTR	DESCRIPTION	DATE	DWN	APVD
B2	REVISED PER	ECO-16-004223	19JUL2016	NK	MZ



- 1 WIRE SIZE AND LOGO APPEAR ON OUTSIDE OF WIRE BARREL.
- 2 RETENTION CLIP: PHOSPHOR BRONZE PER QQ-B-750.
PIN CONTACT: COPPER PER QQ-C-576.
- 3 PIN CONTACT: $0.76\mu\text{m}$ [.000030] MIN GOLD PER MIL-G-45204 ON CONTACT MATING END, GOLD FLASH ON REMAINDER, ALL OVER $1.27\mu\text{m}$ [.000050] MIN NICKEL PER QQ-N-390.
RETENTION CLIP: $2.54\mu\text{m}$ [.000100] MIN NICKEL PER QQ-N-290.
- 4 PIN CONTACT: $5.08\mu\text{m}$ [.000200] MIN SILVER PER QQ-S-365 ON CONTACT MATING END, $1.27\mu\text{m}$ [.000050] MIN SILVER ON REMAINDER, ALL OVER $1.27\mu\text{m}$ [.000050] MIN NICKEL PER QQ-N-290.
RETENTION CLIP: $2.54\mu\text{m}$ [.000100] MIN NICKEL PER QQ-N-290.



OBSOLETE	3	12.32 [.485]	-	28.52 [1.123]	DETAIL X	-213845-8-
OBSOLETE	4	12.32 [.485]	-	28.52 [1.123]	DETAIL X	-213845-7-
	3	12.32 [.485]	32.84 [1.293]	28.52 [1.123]	-	213845-6
	4	12.32 [.485]	32.84 [1.293]	28.52 [1.123]	-	213845-5
	3	10.16 [.400]	-	26.37 [1.038]	DETAIL X	213845-4
	4	10.16 [.400]	-	26.37 [1.038]	DETAIL X	213845-3
	3	10.16 [.400]	30.68 [1.208]	26.37 [1.038]	-	213845-2
	4	10.16 [.400]	30.68 [1.208]	26.37 [1.038]	-	213845-1
FINISH		C	B	A	LOOSE PIECE	PART NUMBER

THIS DRAWING IS A CONTROLLED DOCUMENT.

DIMENSIONS: mm [INCHES]

TOLERANCES UNLESS OTHERWISE SPECIFIED:

0. PLC	± -
1. PLC	± -
2. PLC	± -
3. PLC	± -
4. PLC	± -
ANGLES	± -

MATERIAL: SEE TABLE

THIS DRAWING IS A CONTROLLED DOCUMENT.

DWN: W.G. LENKER 30 JUL 96
 CHK: R. STONE 05 AUG 96
 APVD: G. STEINHAUER 06 AUG 96

NAME: PIN CONTACT ASSEMBLY
 14-12 AWG, .125 POWERBAND

STE TE Connectivity

SIZE: A1
 CAGE CODE: 00779
 DRAWING NO: 213845
 WEIGHT: -

CUSTOMER DRAWING

SCALE: 10:1
 SHEET: 1 of 1
 REV: B2

Mouser Electronics

Authorized Distributor

Click to View Pricing, Inventory, Delivery & Lifecycle Information:

[TE Connectivity:](#)

[213845-2](#)