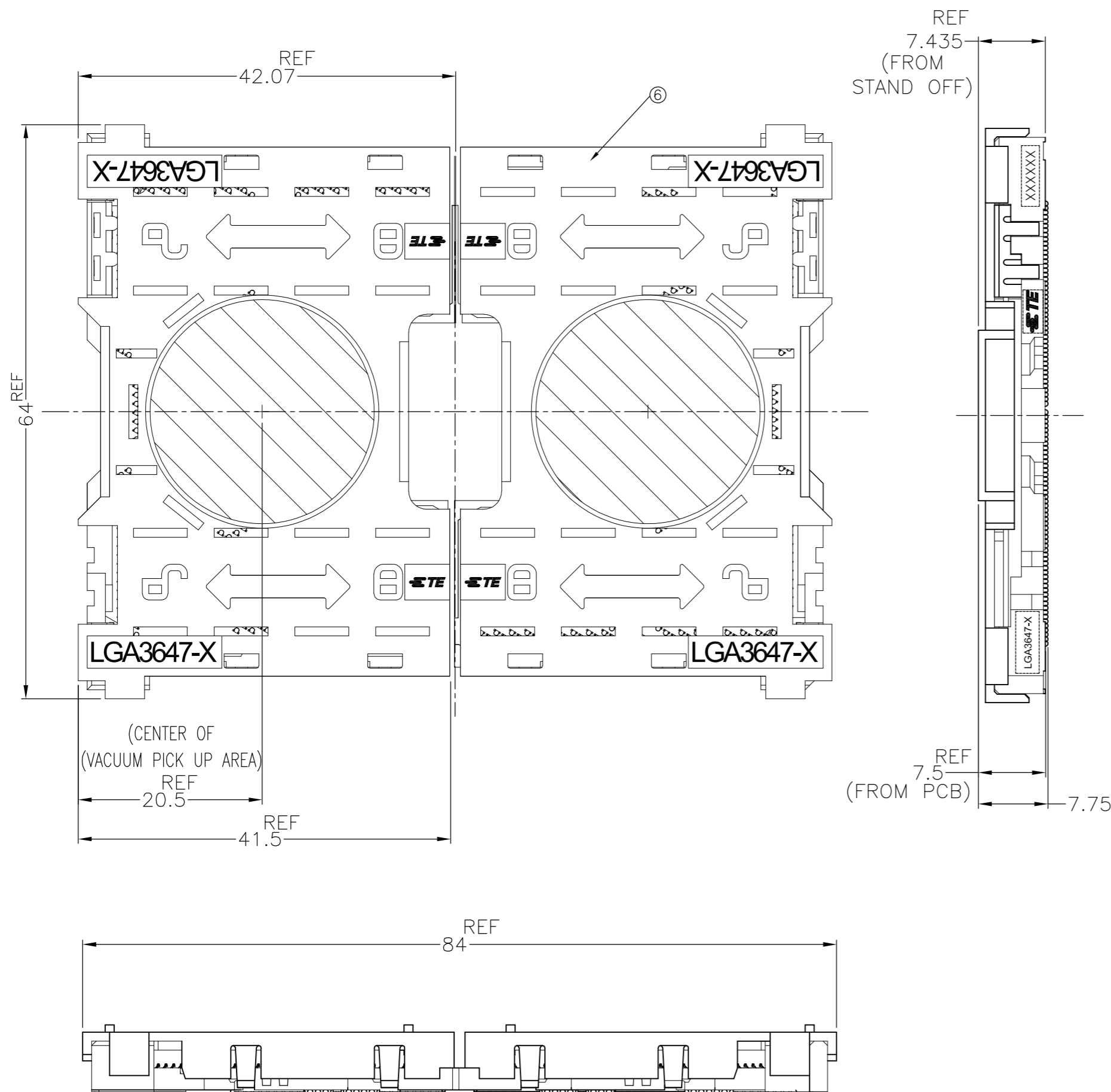


THIS DRAWING IS UNPUBLISHED. RELEASED FOR PUBLICATION  
 © COPYRIGHT - Tyco Electronics JAPAN G.K. ALL RIGHTS RESERVED.

LOC	DIST	REVISIONS					
		P	LTR	DESCRIPTION	DATE	DWN	APVD
ES	-	C		ECR-17-006884	12MAY2017	B.L	C.W



1. MATERIAL
- ① HOUSING : HIGH TEMP, THERMO-PLASTIC, UL94V-0, BLACK
  - ② CONTACT : COPPER ALLOY  
FINISH : Au PL. SHOW AS  $\Delta$  AT CONTACT AREA  
ON OVERALL OVER Ni UNDER PL. 0.00127 MIN.
  - ③ SOLDER BALL : Sn/Ag/Cu
  - ④ KEY HSG LEFT : HIGH TEMP. THERMO-PLASTIC, UL94V-0, BLACK
  - ⑤ KEY HSG RIGHT: HIGH TEMP. THERMO-PLASTIC, UL94V-0, P0 YELLOW, P1 NATURAL
  - ⑥ CAP : HIGH TEMP. THERMO-PLASTIC, UL94V-0, NATURAL
- $\Delta$  INDICATED DATE CODE , TYCO LOGO, PRODUCT NAME ON THE HSG  
 $\Delta$  FOR NORMAL ORDER, LEFT AND RIGHT SEGMENT SHOULD ORDER AT SAME TIME

LGA3647-1 SOCKET P1				LGA3647-0 SOCKET P0				PRODUCT NAME
30u Au PLATING		15u Au PLATING		30u Au PLATING		15u Au PLATING		
LGA3647-1 RIGHT SEGMENT	LGA3647-1 LEFT SEGMENT	LGA3647-1 RIGHT SEGMENT	LGA3647-1 LEFT SEGMENT	LGA3647-0 RIGHT SEGMENT	LGA3647-0 LEFT SEGMENT	LGA3647-0 RIGHT SEGMENT	LGA3647-0 LEFT SEGMENT	ASSY PART NUMBER
2822980-4	1-2822980-4	2822980-2	1-2822980-2	2822980-3	1-2822980-3	2822980-1	1-2822980-1	

14.5	21	17	1						2-2129710-8
		16		1					2-2129710-7
	21	17			1				2-2129710-6
		16				1			2-2129710-5
									2-2129710-4
									2-2129710-3
									2-2129710-2
									2-2129710-1

AFTER SMT CONDITION (WITH CAP)  
 DEMONSTRATION BY SOCKET P1,LGA3647-1

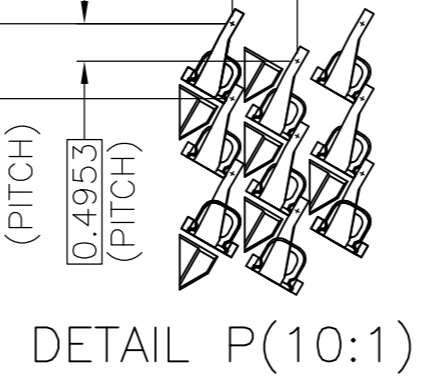
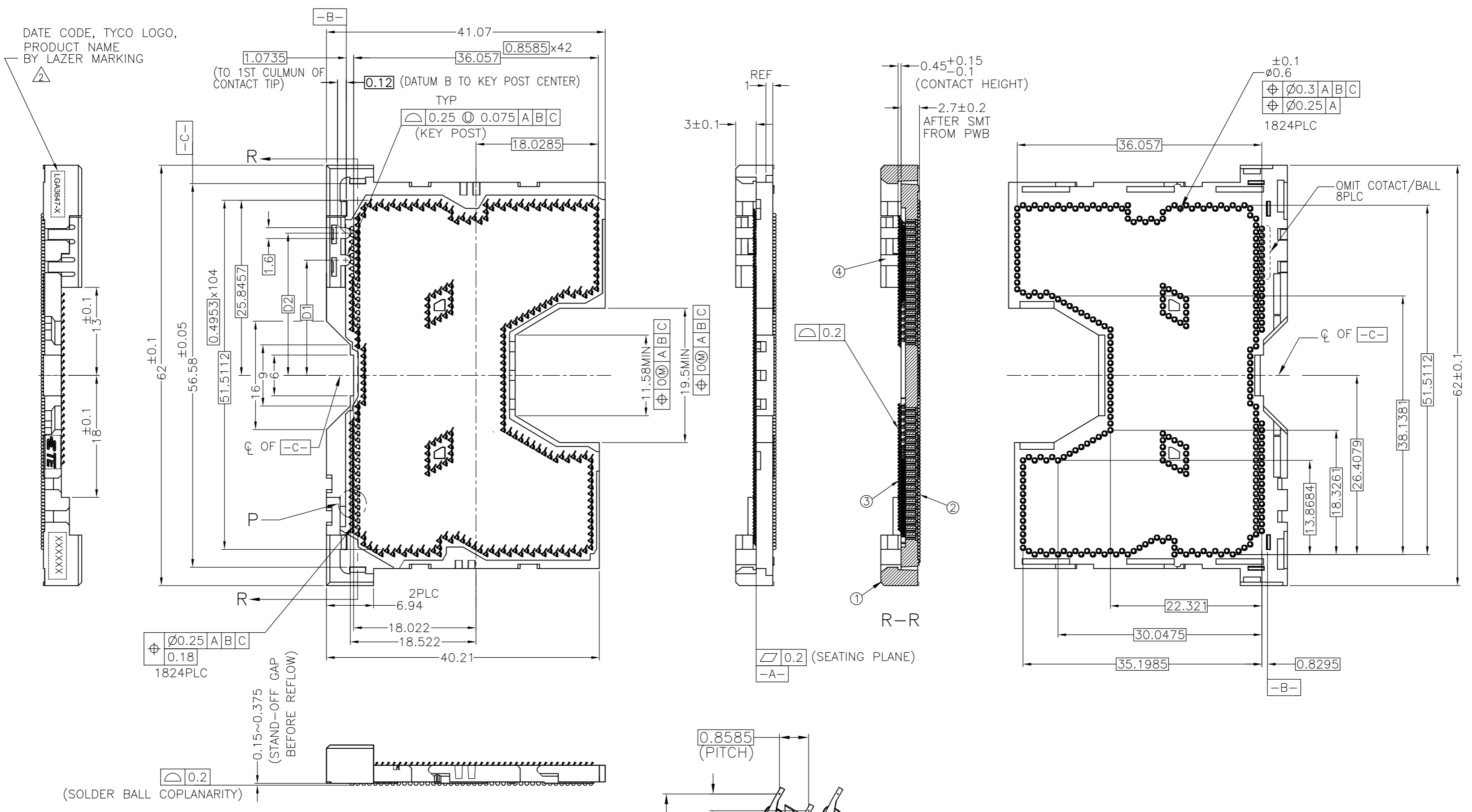
THIS DRAWING IS A CONTROLLED DOCUMENT.

DIMENSIONS: mm	TOLERANCES UNLESS OTHERWISE SPECIFIED:	DWN T.KUO 04MAR2015	
	0-PLC ±	CHK M.CHAO 04MAR2015	
	1-PLC ± ±0.3	APVD M.CHAO 04MAR2015	
	2-PLC ± ±3	PRODUCT SPEC	
	3-PLC ± ±3	APPLICATION SPEC	
MATERIAL	FINISH	108-115115	NAME
		114-115011	SOCKET ASSY LGA3647-X
		WEIGHT -	SIZE A2 CAGE CODE 00779 DRAWING NO C-2129710
		CUSTOMER DRAWING	RESTRICTED TO -

SCALE NTS SHEET 1 OF 7 REV C

THIS DRAWING IS UNPUBLISHED. RELEASED FOR PUBLICATION  
 © COPYRIGHT - Tyco Electronics JAPAN G.K. ALL RIGHTS RESERVED.

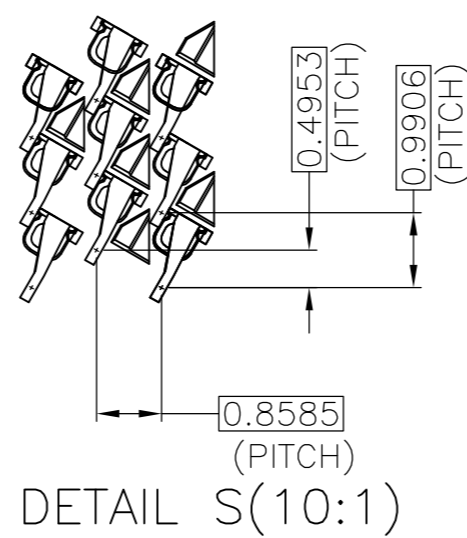
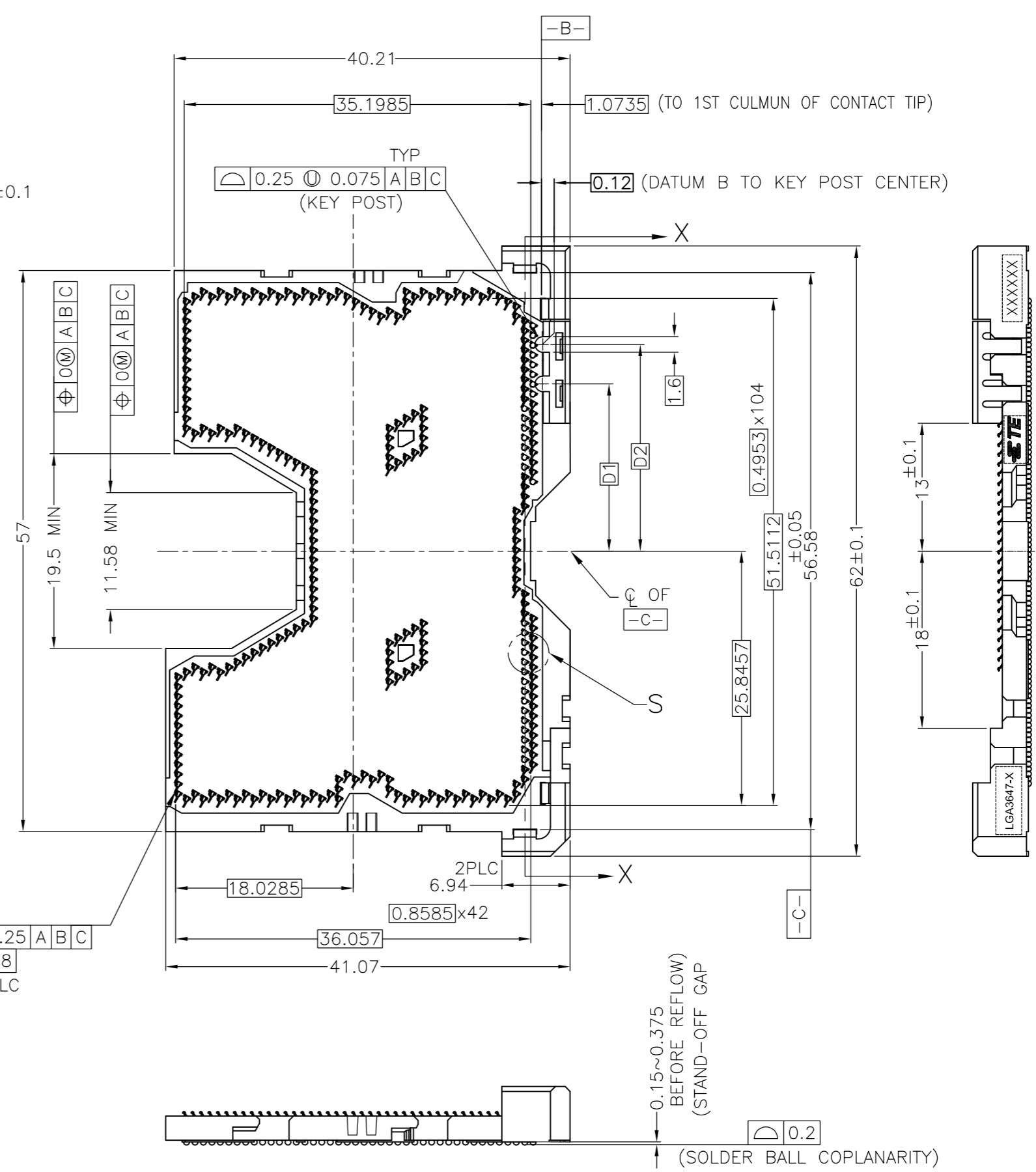
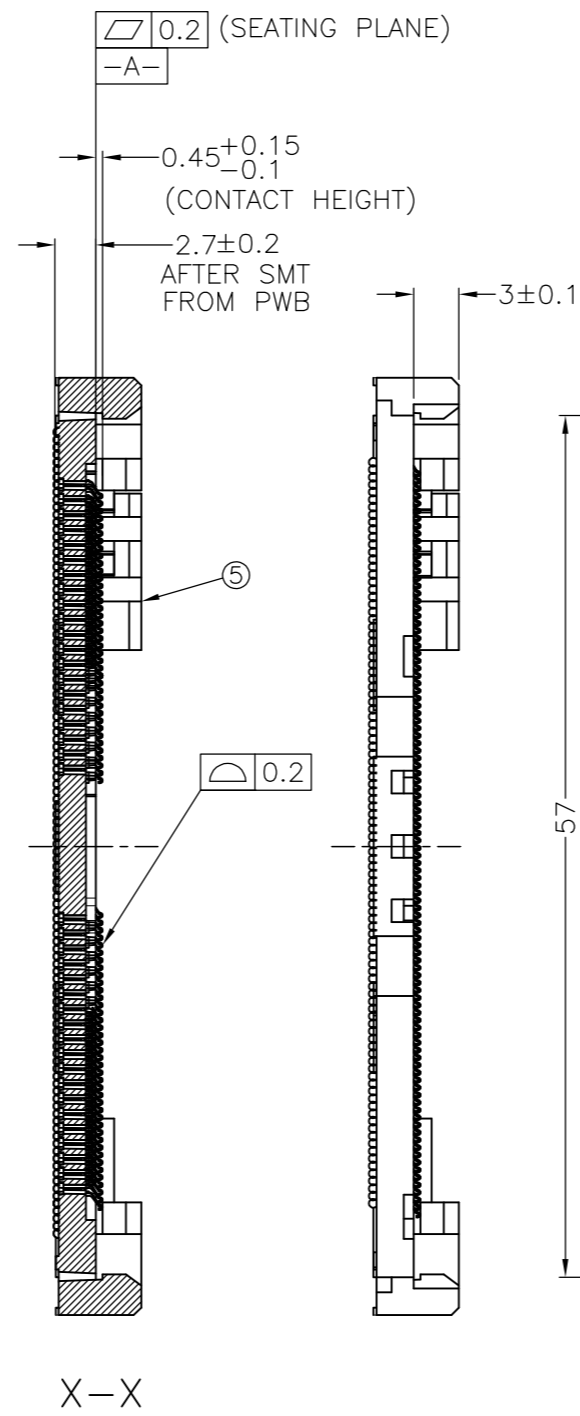
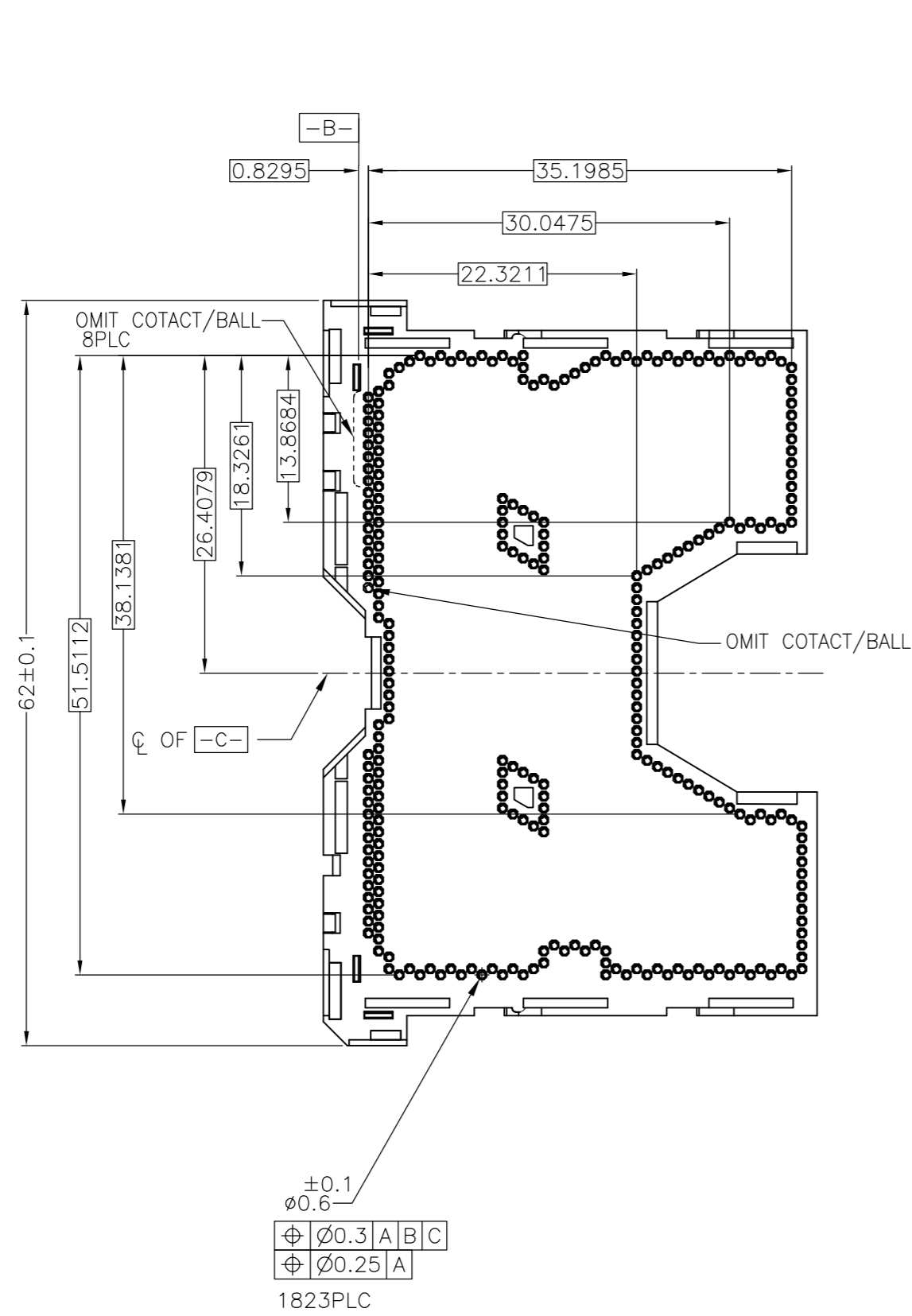
LOC		DIST		REVISIONS			
P	LTR	DESCRIPTION	DATE	DWN	APVD		
-	-	SEE SHEET 1	-	-	-	-	-



THESE VIEW DON'T SHOW CAP BEFORE SMT CONDITION  
 LGA3647-1 LEFT SIDE ASSY  
 1-2822980-\* AS SHOWN

THIS DRAWING IS A CONTROLLED DOCUMENT.		DWN	TE Connectivity		
DIMENSIONS: mm		CHK	NAME		
TOLERANCES UNLESS OTHERWISE SPECIFIED:		APVD	SOCKET ASSY LGA3647-X		
0-PLC ±		PRODUCT SPEC	SIZE	CAGE CODE	DRAWING NO
1-PLC ± ±0.3		APPLICATION SPEC	A2	00779	C=2129710
2-PLC ± ±3		WEIGHT	RESTRICTED TO		
3-PLC ± ±3		CUSTOMER DRAWING	SCALE NTS SHEET 2 OF 7 REV C		
4-PLC ± ±					
ANGLES ±					
FINISH					

LOC		DIST		REVISIONS			
P	LTR	DESCRIPTION	DATE	DWN	APVD		
ES	-	SEE SHEET 1	-	-	-		

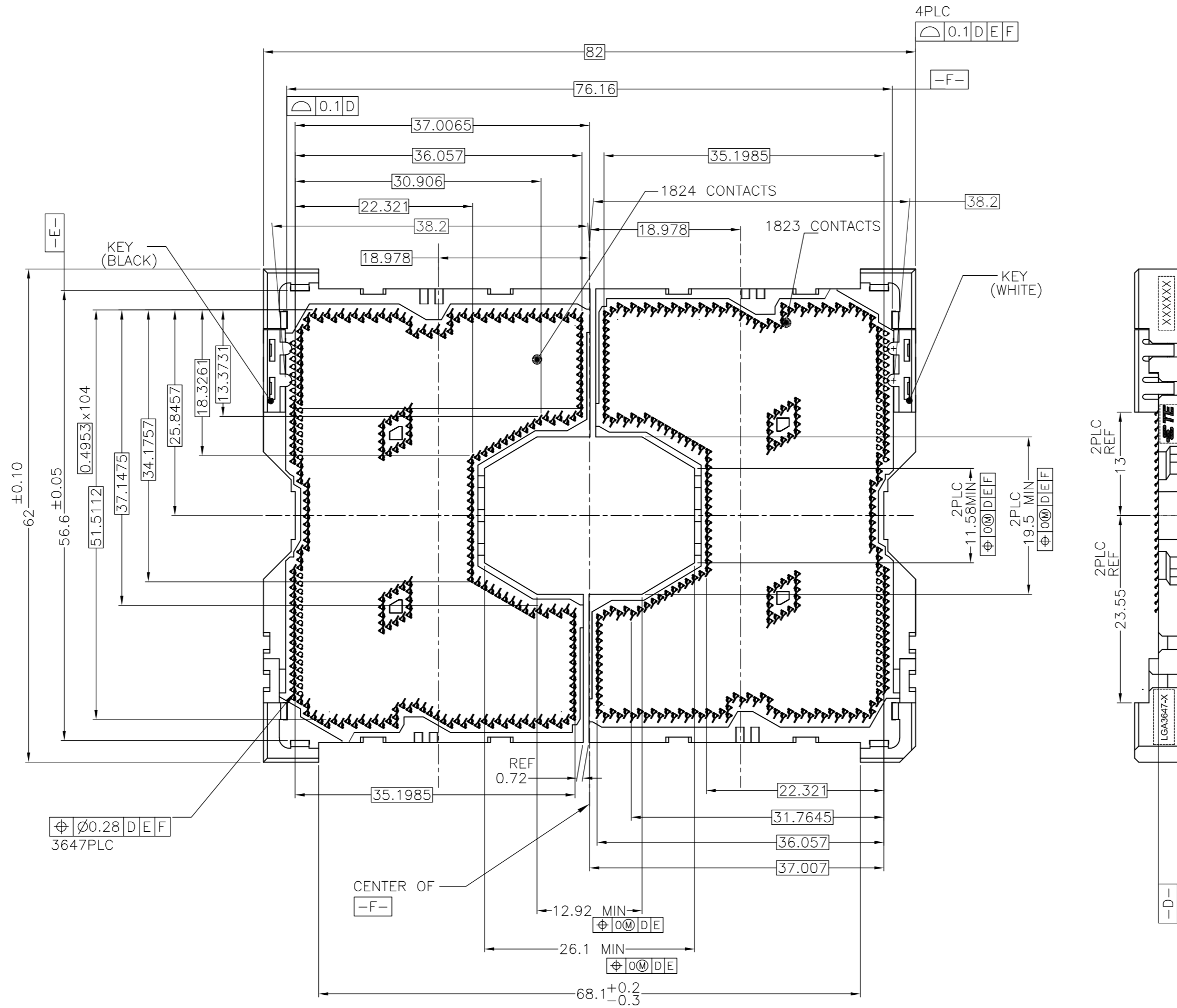


THESE VIEW DON'T SHOW CAP BEFORE SMT CONDITION LGA3647-1 RIGHT SIDE ASSY 2822980-\* AS SHOWN

THIS DRAWING IS A CONTROLLED DOCUMENT.		DWN	TE Connectivity	
DIMENSIONS: mm		CHK	NAME	
TOLERANCES UNLESS OTHERWISE SPECIFIED:		APVD	SOCKET ASSY LGA3647-X	
0-PLC ±		PRODUCT SPEC	SIZE	CAGE CODE
1-PLC ± ±0.3		APPLICATION SPEC	A2	00779
2-PLC ± ±3		WEIGHT	DRAWING NO	RESTRICTED TO
3-PLC ±		CUSTOMER DRAWING	C=2129710	-
4-PLC ±		SCALE	NTS	SHEET 3 OF 7
ANGLES ±		REV	C	
FINISH				

THIS DRAWING IS UNPUBLISHED. RELEASED FOR PUBLICATION  
 © COPYRIGHT - Tyco Electronics JAPAN G.K. ALL RIGHTS RESERVED.

LOC	DIST	REVISIONS					
		P	LTR	DESCRIPTION	DATE	DWN	APVD
ES	-	-	-	SEE SHEET 1	-	-	-



AFTER SMT CONDITION

THIS DRAWING IS A CONTROLLED DOCUMENT.		DWN	-	 TE Connectivity	NAME SOCKET ASSY LGA3647-X
DIMENSIONS: mm		CHK	-		
		APVD	-		
TOLERANCES UNLESS OTHERWISE SPECIFIED: 0-PLC ± 1-PLC ± 2-PLC ± 3-PLC ± 4-PLC ± ANGLES ±		PRODUCT SPEC	-		
MATERIAL	FINISH	APPLICATION SPEC	-	SIZE	A2
		WEIGHT	-	CAGE CODE	00779
CUSTOMER DRAWING			SCALE	DRAWING NO	C=2129710
			NTS	RESTRICTED TO	-
			SHEET	4 OF 7	REV
					C

THIS DRAWING IS UNPUBLISHED. RELEASED FOR PUBLICATION  
 © COPYRIGHT - Tyco Electronics JAPAN G.K. ALL RIGHTS RESERVED.

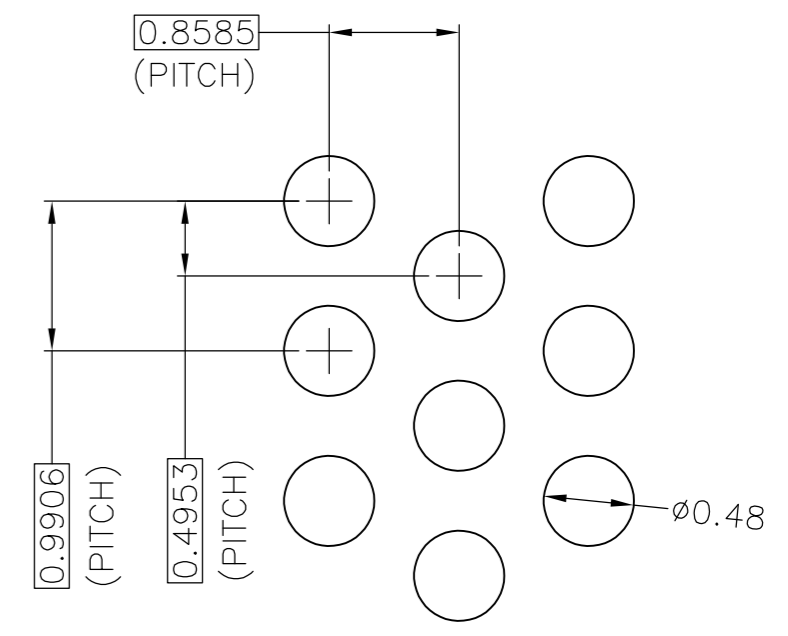
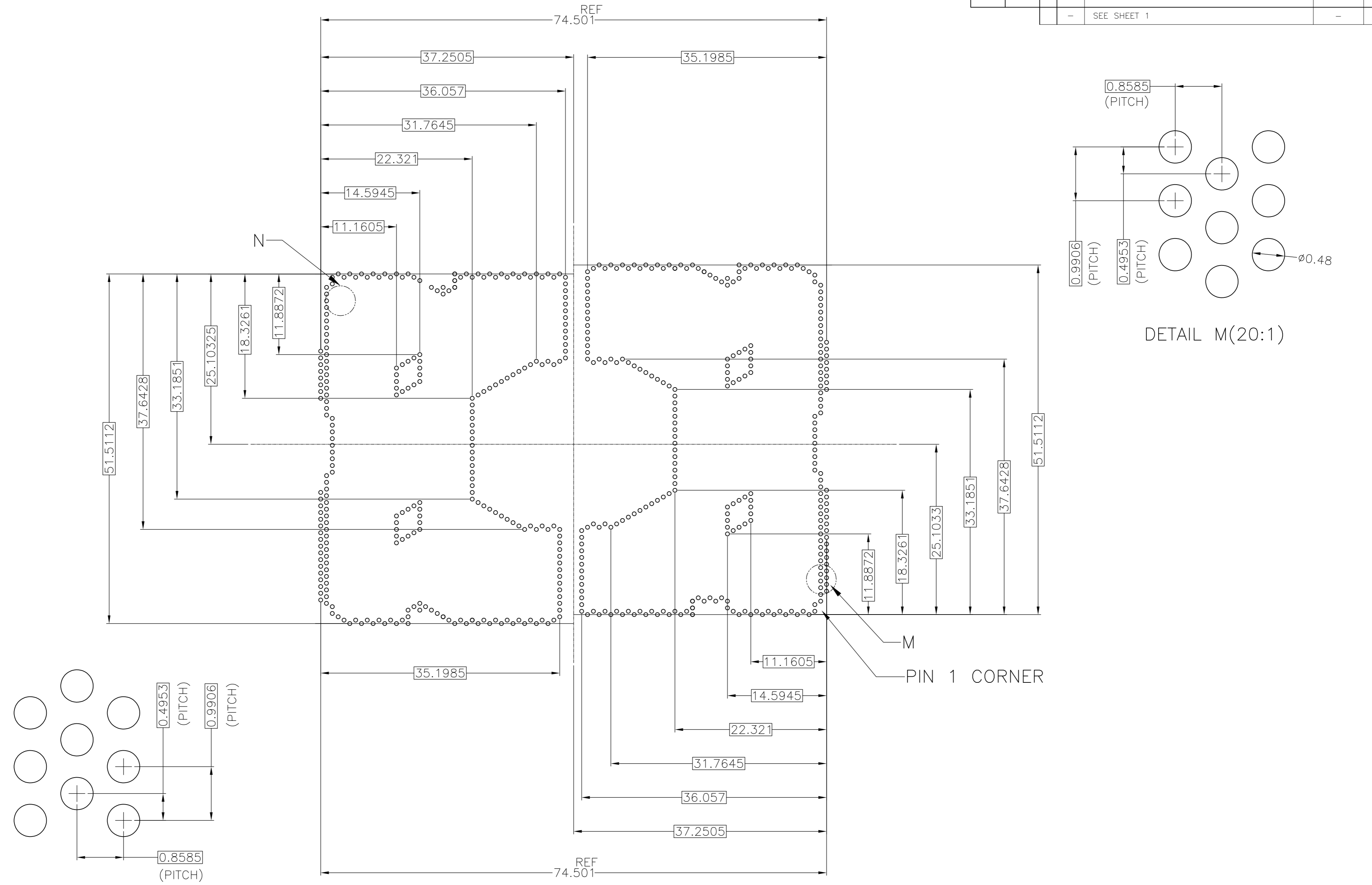
LOC	DIST	REVISIONS					
ES	-	P	LTR	DESCRIPTION	DATE	DWN	APVD
		-	-	SEE SHEET 1	-	-	-

D

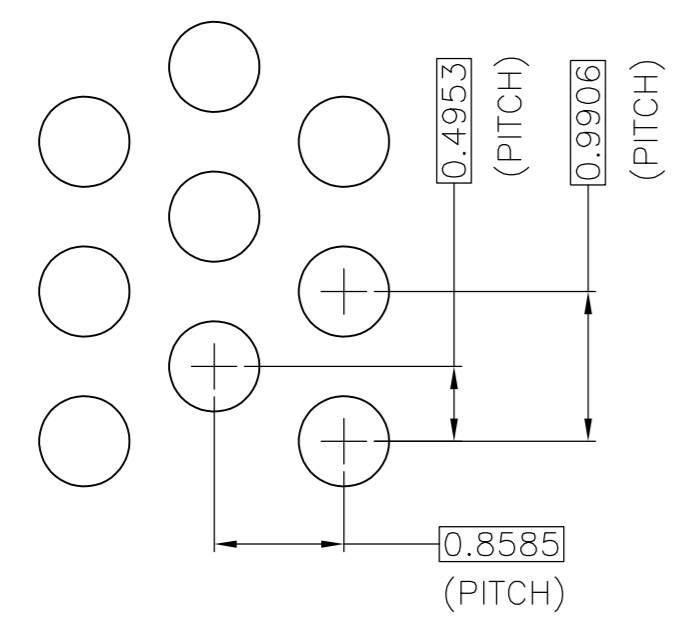
C

B

A



DETAIL M(20:1)



DETAIL N(20:1)

2129710

THIS DRAWING IS A CONTROLLED DOCUMENT.		DWN	-		
DIMENSIONS: mm		CHK	-		
TOLERANCES UNLESS OTHERWISE SPECIFIED:		APVD	-		
0-PLC ±		NAME			
1-PLC ± ±0.3		PRODUCT SPEC			
2-PLC ± ±3		APPLICATION SPEC			
3-PLC ±		SIZE	CAGE CODE	DRAWING NO	RESTRICTED TO
4-PLC ±		A2	00779	C=2129710	-
ANGLES ±		CUSTOMER DRAWING			
FINISH		SCALE	SHEET	REV	
		NTS	5 of 7	C	

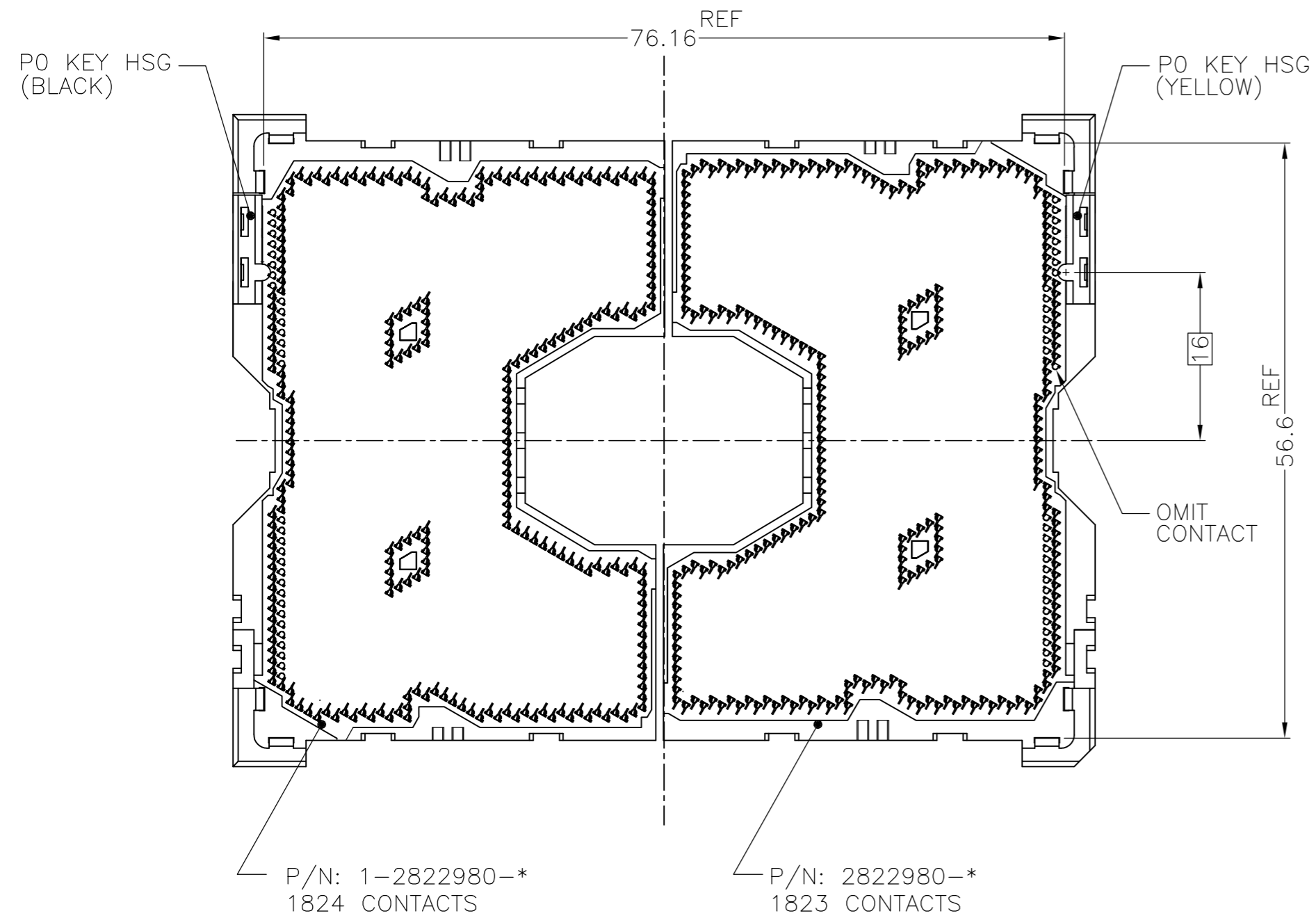


SOCKET ASSY  
LGA3647-X

THIS DRAWING IS UNPUBLISHED. RELEASED FOR PUBLICATION  
 © COPYRIGHT - Tyco Electronics JAPAN G.K. ALL RIGHTS RESERVED.

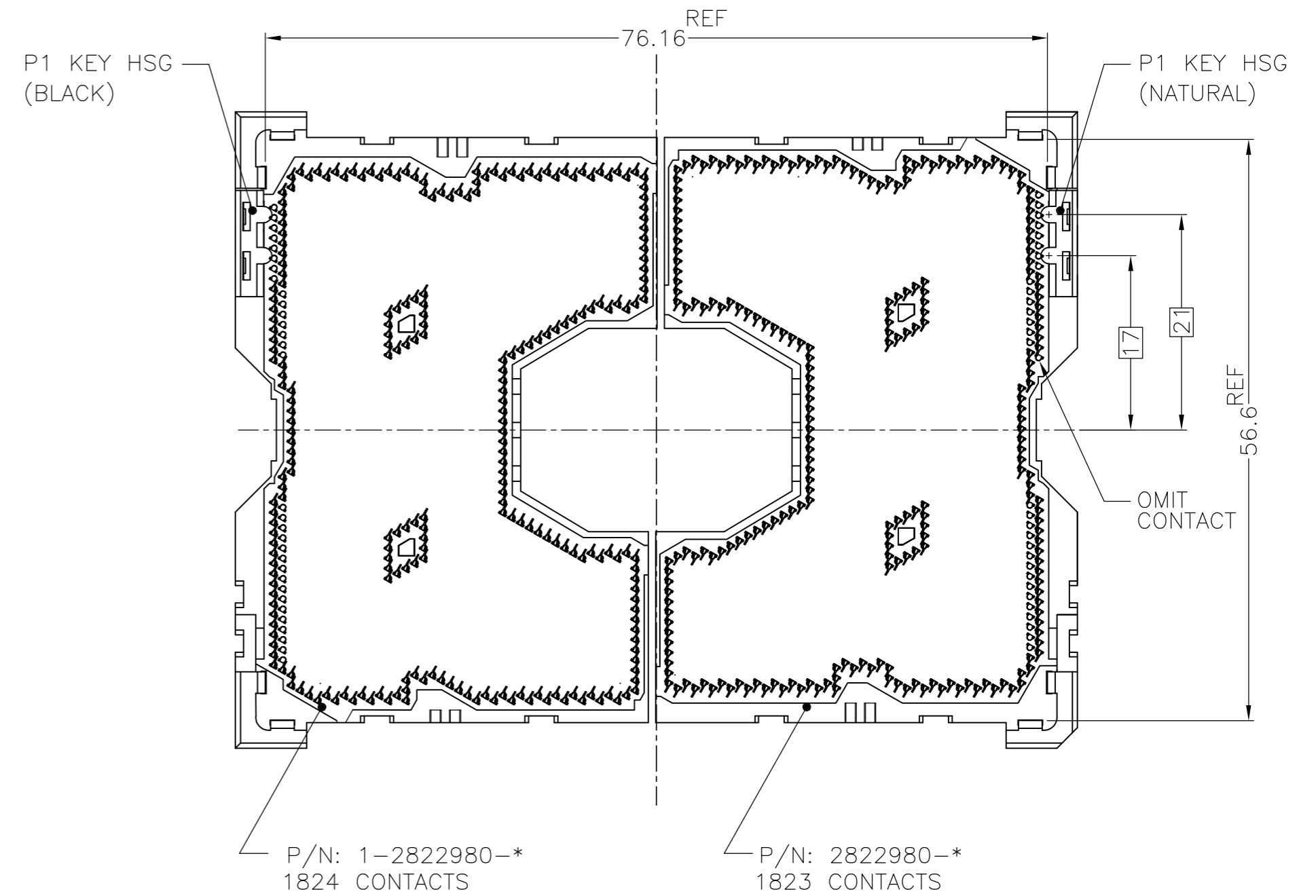
LOC	DIST	REVISIONS					
		P	LTR	DESCRIPTION	DATE	DWN	APVD
ES	-	-	-	SEE SHEET 1	-	-	-

SOCKET P0,LGA3647-0 AS SHOWN



LGA3647-0 AS SHOWN  
(KIT P/N: 2-2822979-\*)

SOCKET P1,LGA3647-1 AS SHOWN



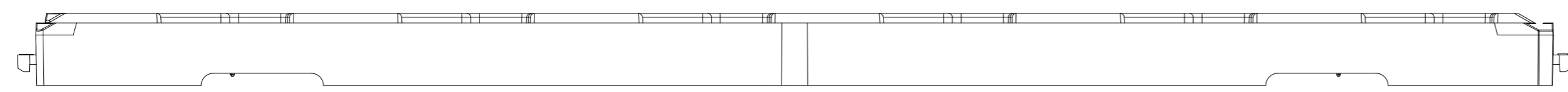
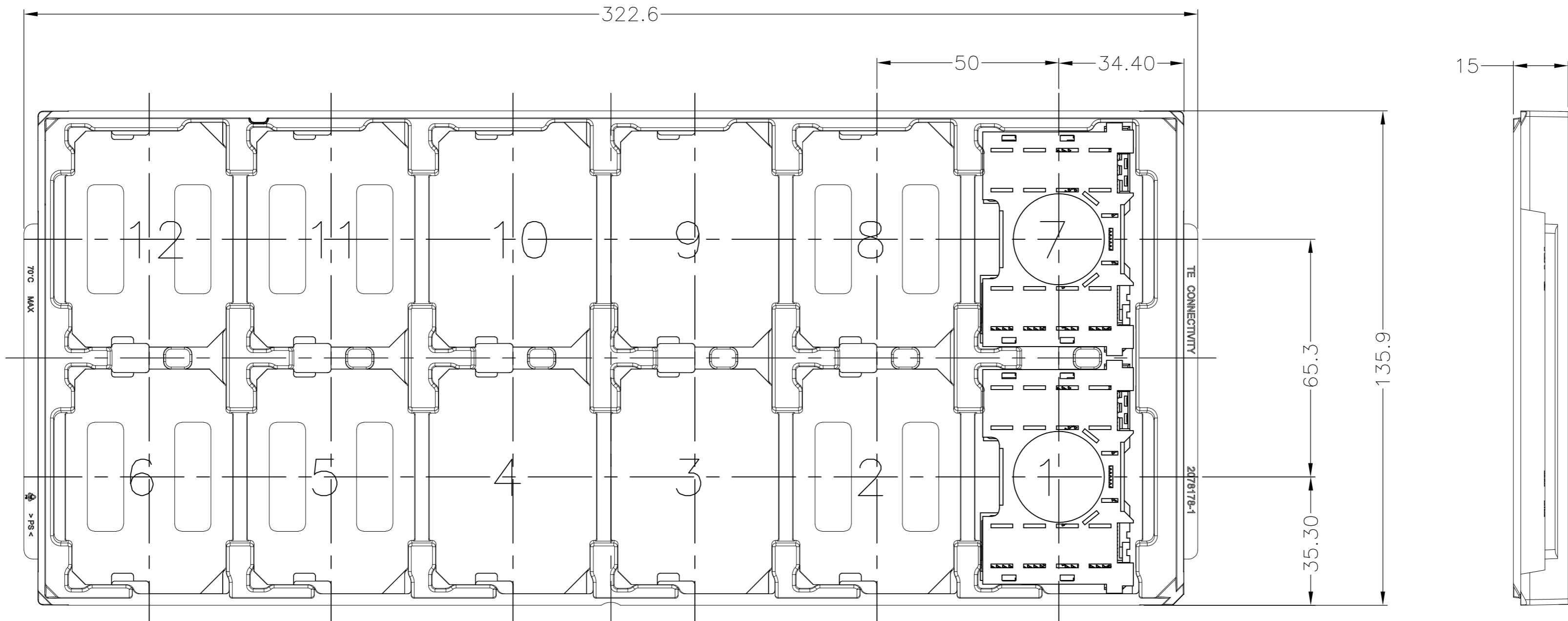
LGA3647-1 AS SHOWN  
(KIT P/N: 2-2822979-\*)

LGA3647-X POST SMT CONDITION  
(PCB IS NOT SHOWN)

THIS DRAWING IS A CONTROLLED DOCUMENT.		DWN	TE Connectivity		
DIMENSIONS: mm		CHK	NAME		
TOLERANCES UNLESS OTHERWISE SPECIFIED:		APVD	SOCKET ASSY LGA3647-X		
0-PLC ±		PRODUCT SPEC	SIZE	CAGE CODE	DRAWING NO
1-PLC ± ±0.3		APPLICATION SPEC	A2	00779	C=2129710
2-PLC ± ±3		WEIGHT	RESTRICTED TO		
3-PLC ± ±		CUSTOMER DRAWING	-		
4-PLC ± ±		SCALE	NTS	SHEET	6 OF 7
FINISH		REV	C		

THIS DRAWING IS UNPUBLISHED. RELEASED FOR PUBLICATION  
 © COPYRIGHT - Tyco Electronics JAPAN G.K. ALL RIGHTS RESERVED.

LOC		DIST		REVISIONS			
P	LTR	DESCRIPTION	DATE	DWN	APVD		
-	-	SEE SHEET 1	-	-	-		



FOR LEFT SEGMENT, USE BLACK TRAY TO PACKAGE.  
 FOR RIGHT SEGMENT, USE BLUE TRAY TO PACKAGE.

SOCKET QTY PER OUTER BOX	SOCKET QTY PER INNER BOX	SOCKET QTY PER TRAY	ASSY PART NUMBER	ORDER PART NUMBER	PRODUCT NAME
168	84	12	2822980-4	2-2129710-8	LGA3647-1 RIGHT SEGMENT
168	84	12	1-2822980-4	2-2129710-7	LGA3647-1 LFFT SEGMENT
168	84	12	2822980-3	2-2129710-6	LGA3647-0 RIGHT SEGMENT
168	84	12	1-2822980-3	2-2129710-5	LGA3647-0 LFFT SEGMENT
168	84	12	2822980-2	2-2129710-4	LGA3647-1 RIGHT SEGMENT
168	84	12	1-2822980-2	2-2129710-3	LGA3647-1 LFFT SEGMENT
168	84	12	2822980-1	2-2129710-2	LGA3647-0 RIGHT SEGMENT
168	84	12	1-2822980-1	2-2129710-1	LGA3647-0 LFFT SEGMENT

THIS DRAWING IS A CONTROLLED DOCUMENT.

DWN	-	 TE Connectivity SOCKET ASSY LGA3647-X			
CHK	-				
APVD	-				
NAME	-				
DIMENSIONS: mm		SIZE	CAGE CODE	DRAWING NO	RESTRICTED TO
TOLERANCES UNLESS OTHERWISE SPECIFIED: 0-PLC ± 1-PLC ±0.5 2-PLC ± 3-PLC ±3.0 4-PLC ± ANGLES ± FINISH		SCALE	NTS	SHEET	7 of 7
MATERIAL	-	WEIGHT	-	A2 00779 C=2129710	REV
CUSTOMER DRAWING		SCALE		NTS	REV

2129710

A

# Mouser Electronics

Authorized Distributor

Click to View Pricing, Inventory, Delivery & Lifecycle Information:

[TE Connectivity:](#)

[2-2129710-1](#)