

REVISIONS				
#	LY#	DESCRIPTION	DATE	BY
B		ECR-18-004892	10MAY2018	BW
C		ECR-18-016096	11OCT2018	JAH
C1		ADDED -43 AND -44	14AUG2019	MEH
D		ECR-19-019052	09DEC2019	MEH

# OCEAN APPLICATOR

- 1 TIGHTEN SET SCREW 1/4 TURN AFTER IT FIRST COMES INTO CONTACT WITH COUNTER.
- 2 THIS SUB-ASSEMBLY TO RUN ON THE FOLLOWING:  
KOMAX BT700 SSC  
KIRSTEN K750 STRIPPER CRIMPER SC  
PAWO BIG STRIPPER/SEALER/CRIMPER  
SCHLEUNIGER STRIP CRIMP Ø75

QTY	DESCRIPTION	ITEM NO
1	PLATE, BASE, SIDE FEED, PACIFIC STYLE, SPECIAL	51
1	PLATE, BASE, SIDE FEED, ATLANTIC STYLE, SPECIAL	50
1	PLATE, BASE, SIDE FEED, ATLANTIC STYLE	49
2	PIN, DOWEL, METRIC	48
2	PIN, DOWEL, METRIC	47
2	PLATE, BASE, SIDE FEED, PACIFIC STYLE	46
2	PLATE, BASE, SIDE FEED, ATLANTIC STYLE	45
1	PLATE, BASE, SIDE FEED, PACIFIC STYLE	44
1	PLATE, BASE, SIDE FEED, PACIFIC STYLE	43
1	PLATE, BASE, SIDE FEED, ATLANTIC STYLE	42
1	PLATE, BASE, SIDE FEED, PACIFIC STYLE	41
1	PLATE, BASE, SIDE FEED, ATLANTIC STYLE	40
1	PLATE, BASE, SIDE FEED, PACIFIC STYLE	39
1	PLATE, BASE, SIDE FEED, PACIFIC STYLE	38
1	PLATE, BASE, SIDE FEED, ATLANTIC STYLE	37
1	PLATE, BASE, SIDE FEED, ATLANTIC STYLE	36
1	HOUSING, SIDE FEED, MODIFIED	35
1	HOUSING, SIDE FEED, MACHINED	34
4	SCR, SKT HD CAP, RoHS, M5 X 12	33
1	PLATE, BASE, SIDE FEED, PACIFIC STYLE, SPECIAL	32
1	PLATE, BASE, SIDE FEED, ATLANTIC STYLE, SPECIAL	31
1	PLATE, BASE, SIDE FEED, PACIFIC STYLE	30
1	PLATE, BASE, SIDE FEED, ATLANTIC STYLE	29
1	WASHER, FLAT, REG M4	28
1	SCR, SKT HD CAP, M4 X 12.0	27
1	MOUNT, STRIPPER, SIDE FEED	26
1	PLATE, BASE, SIDE FEED, PACIFIC STYLE	25
1	PLATE, BASE, SIDE FEED, PACIFIC STYLE	24
1	PLATE, BASE, SIDE FEED, PACIFIC STYLE	23
1	PLATE, BASE, SIDE FEED, PACIFIC STYLE	22
1	PLATE, BASE, SIDE FEED, PACIFIC STYLE	21
1	PLATE, BASE, SIDE FEED, PACIFIC STYLE	20
1	PLATE, BASE, SIDE FEED, PACIFIC STYLE	19
1	PLATE, BASE, SIDE FEED, PACIFIC STYLE	18
1	PLATE, BASE, SIDE FEED, ATLANTIC STYLE	17
1	PLATE, BASE, SIDE FEED, ATLANTIC STYLE	16
1	PLATE, BASE, SIDE FEED, ATLANTIC STYLE	15
1	PLATE, BASE, SIDE FEED, ATLANTIC STYLE	14
1	PLATE, BASE, SIDE FEED, ATLANTIC STYLE	13
1	PLATE, BASE, SIDE FEED, ATLANTIC STYLE	12
1	PLATE, BASE, SIDE FEED, ATLANTIC STYLE	11
1	PLATE, BASE, SIDE FEED, ATLANTIC STYLE	10
1	SCR, SET, FLT POINT M5 X 6.0	9
1	SHCS, LOW HEAD, RoHS, M5 X 20	8
1	SHCS, LOW HEAD, RoHS, M5 X 12	7
3	SCREW, SOCKET HEAD, ADHESIVE PATCH	6
3	SCR, BTN SKT HD CAP M6X16.0 W/PATCH	5
2	HOUSING, SIDE FEED, MACHINED	4
2	GIB, RAM	3
1	COUNTER, MAGNETIC	2
1	BLOCK, STRIP GUIDE ADJUST	1

1 2 3 4 5 6 7 8 9 10 11 12 13 14 15 16 17 18 19 20 21 22 23 24 25 26 27 28 29 30 31 32 33 34 35 36 37 38 39 40 41 42 43 44

THIS DRAWING IS A CONTROLLED DOCUMENT.

DIMENSIONS: mm

TOLERANCES UNLESS OTHERWISE SPECIFIED:

0 PLC ±0.15  
1 PLC ±0.20  
2 PLC ±0.25  
3 PLC ±0.30  
4 PLC ±0.40

ANGLES FINISH \*

MATERIAL

APPROVED: T. ELBIN

DATE: 05MAY2016

NAME: APPLICATOR BASIC ASSEMBLY, SF

SIZE: A1

SCALE: 1:1

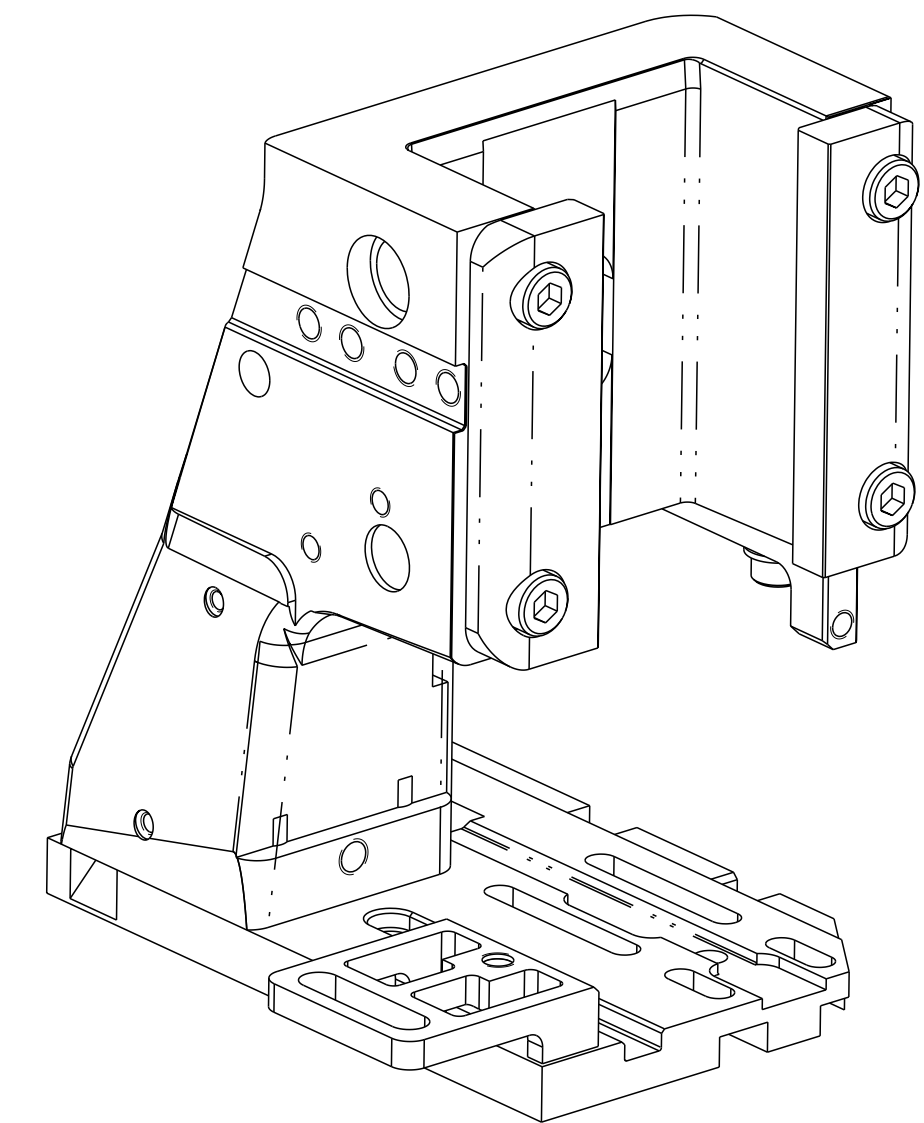
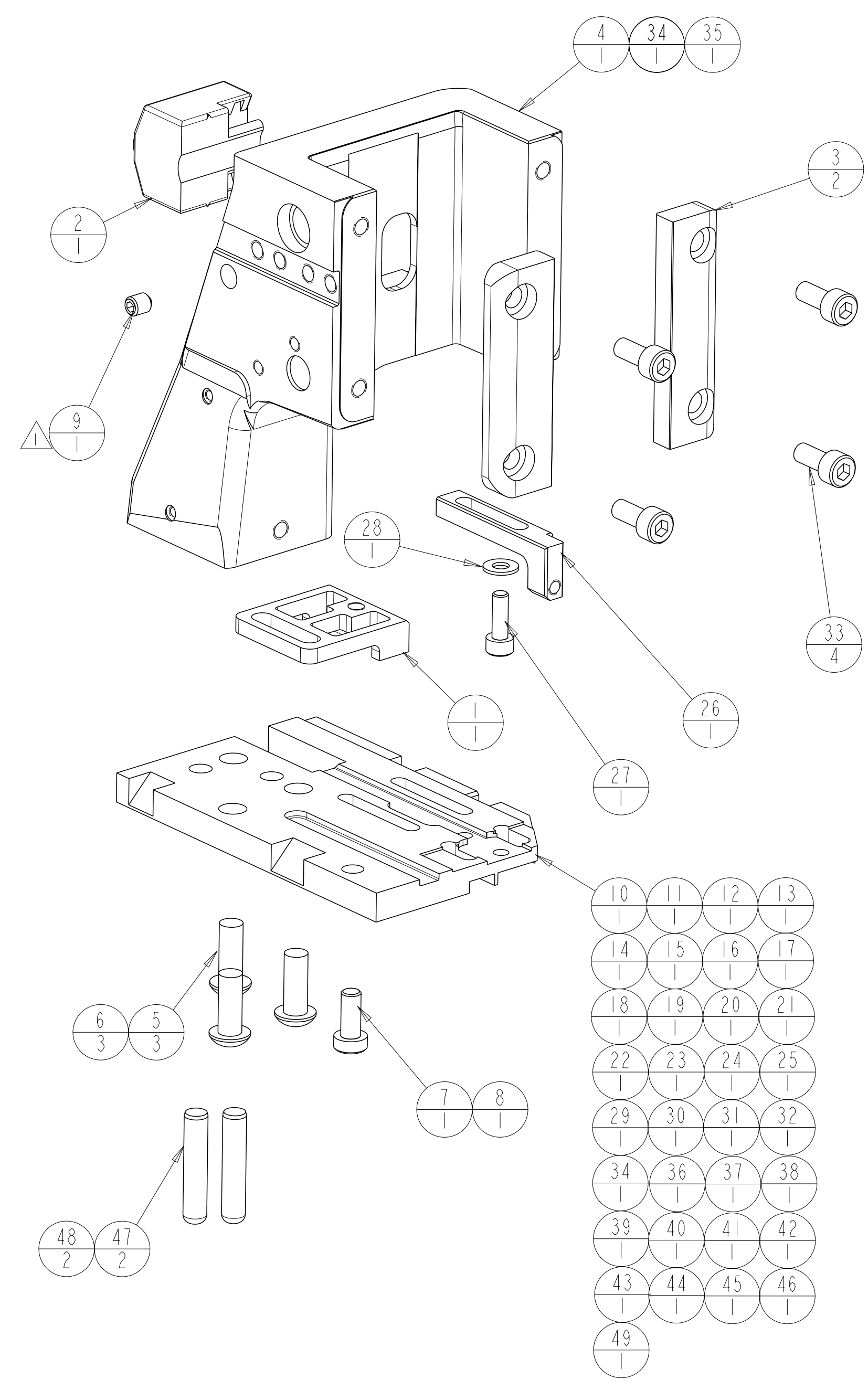
SHEET 1 OF 2

REV D

THIS DRAWING IS UNPUBLISHED. RELEASED FOR PUBLICATION  
 © COPYRIGHT copyr ight d8te- ALL RIGHTS RESERVED.

REVISIONS				
#	LY#	DESCRIPTION	DATE	OWN APVD
-	-	SEE SHEET 1	-	-

# OCEAN APPLICATOR



THIS DRAWING IS A CONTROLLED DOCUMENT.		OWN GOPALAKRISHNA HV	05MAY2016	TE Connectivity
DIMENSIONS: mm		CHK T. ELBIN	05MAY2016	
TOLERANCES UNLESS OTHERWISE SPECIFIED: 0 PLC ± 1 PLC ± 2 PLC ± 3 PLC ± 4 PLC ± ANGLES ±°		APVD T. ELBIN	05MAY2016	NAME APPLICATOR BASIC ASSEMBLY, SF
MATERIAL		SIZE A1		RESTRICTED TO
CUSTOMER DRAWING		SCALE 1:1		SHEET 2 OF 2
		REV D		

# Mouser Electronics

Authorized Distributor

Click to View Pricing, Inventory, Delivery & Lifecycle Information:

[TE Connectivity:](#)

[2-2119656-5](#)