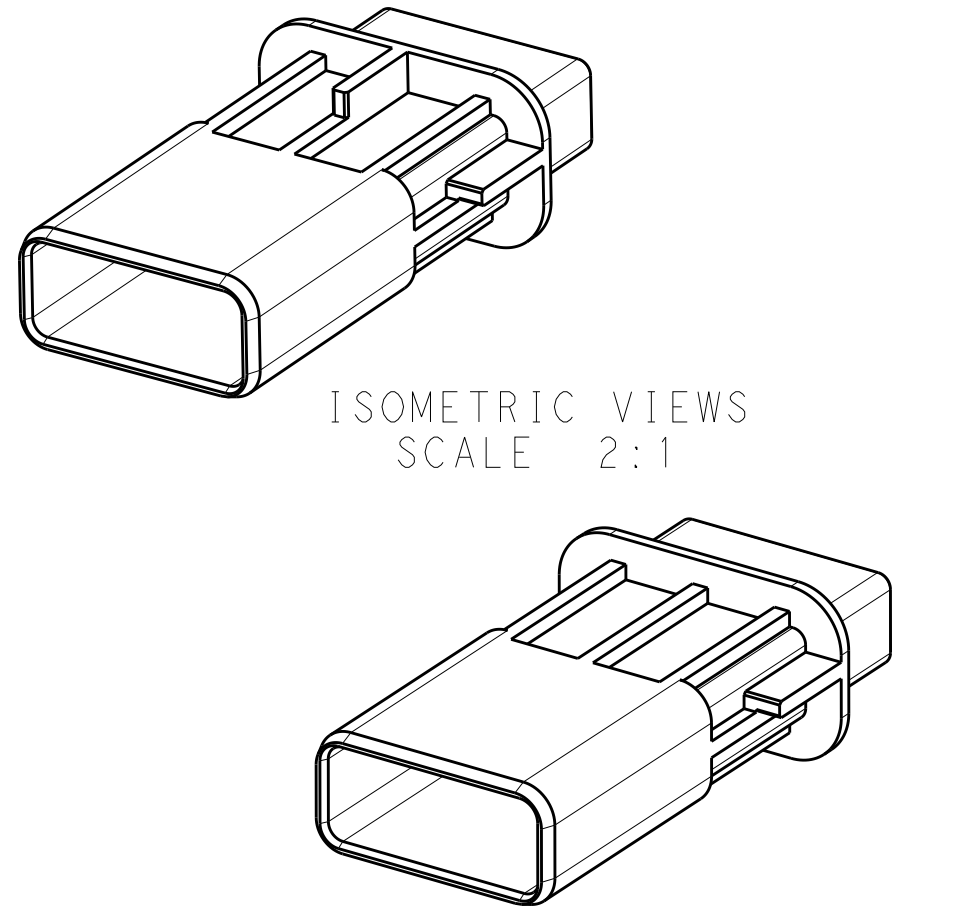
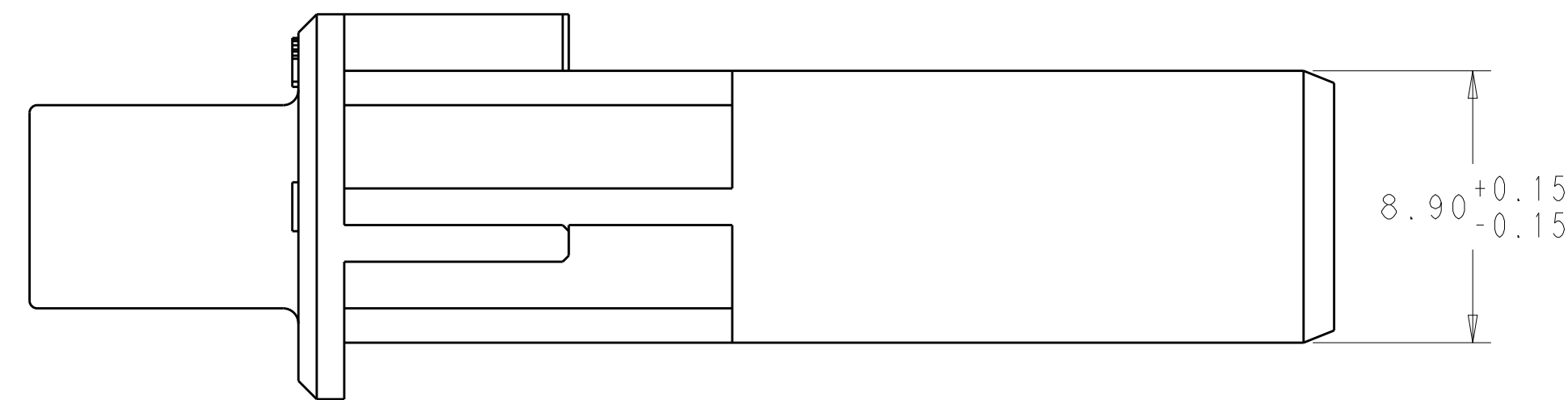
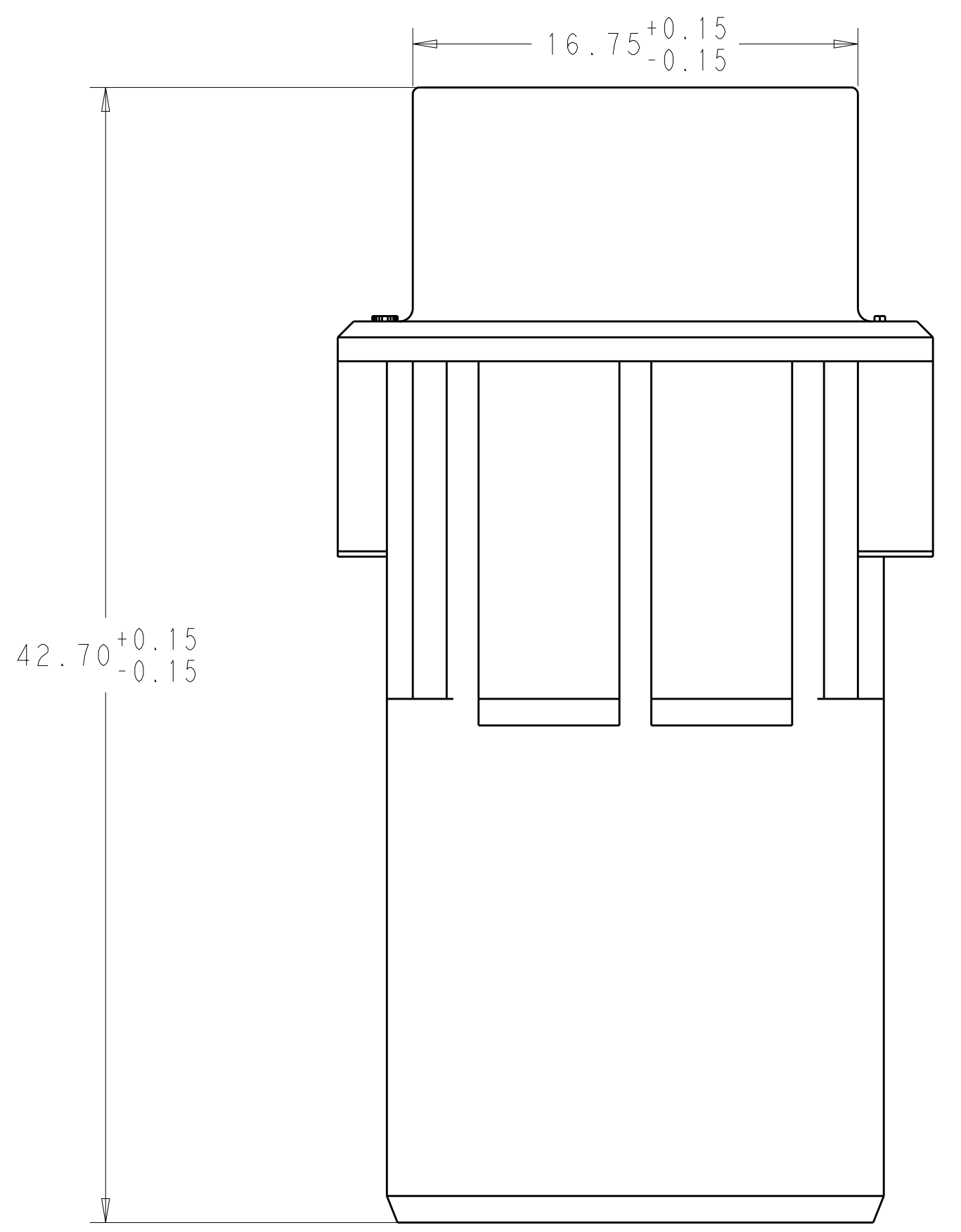
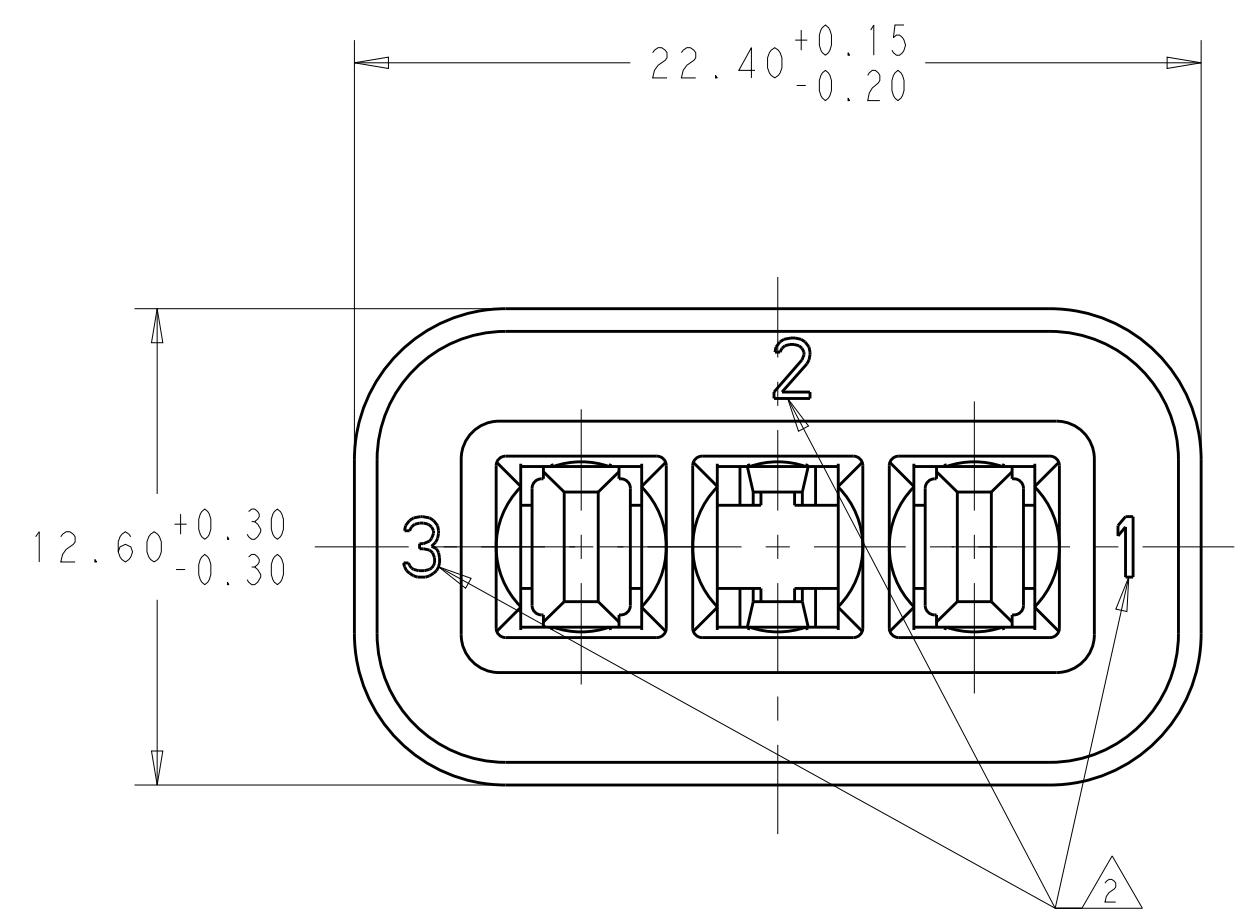
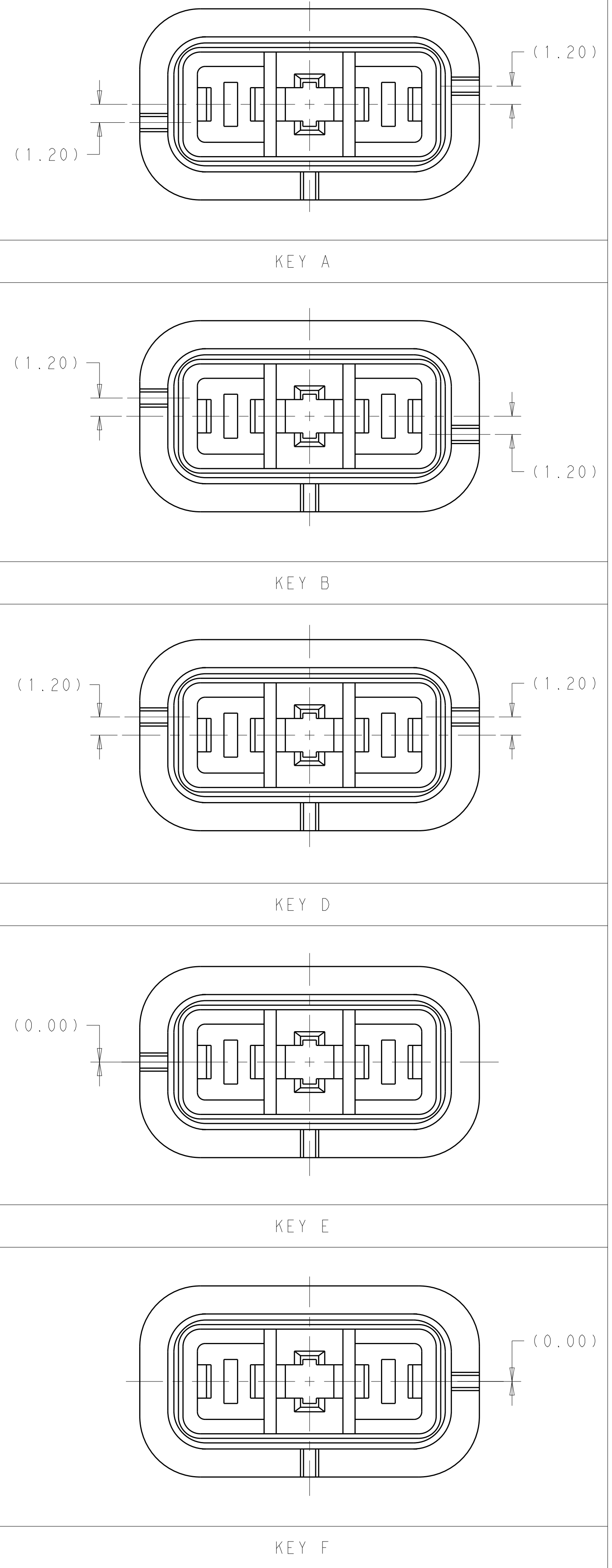


REVISIONS				
P.	LTN	DESCRIPTION	DATE	APVD
A		MODIFIED PER ECR-13-017811	25OCT2013	TD TD
A1		MODIFIED PER ECR-14-018094	15APR2015	SR TD



- 1. MATERIAL:
TYPE: PA66 33%GF HEAT STABILIZED
COLOR: ORANGE
- 2. CIRCUIT I.D CHARACTERS RAISED AS SHOWN.
- 3. NOTE DELETED

DESCRIPTION	PART NUMBER
INNER HOUSING - KEY F	2103321-6
INNER HOUSING - KEY E	2103321-5
INNER HOUSING - KEY D	2103321-4
INNER HOUSING - KEY B	2103321-2
INNER HOUSING - KEY A	2103321-1

THIS DRAWING IS A CONTROLLED DOCUMENT.		OWN: R. SANTHOSH 13JUL2012	TE Connectivity	
DIMENSIONS: mm		CHK: T. DEWILTE 13JUL2012	NAME: HOUSING INNER HEADER, HVA280 3PX	
TOLERANCES UNLESS OTHERWISE SPECIFIED:		APVD: T. DEWILTE 13JUL2012	SIZE: CAGE CODE DRAWING NO. RESTRICTED TO	
0 PLC ±	1 PLC ±0.15	PRODUCT SPEC	A100779C=2103321	
2 PLC ±0.1	3 PLC ±0.05	APPLICATION SPEC	SCALE 5:1 SHEET 1 OF 1 REV A1	
4 PLC ±	ANGLES ±1°	WEIGHT 3.58g	Customer Drawing	
MATERIAL SEE NOTE 1	FINISH			

Mouser Electronics

Authorized Distributor

Click to View Pricing, Inventory, Delivery & Lifecycle Information:

[TE Connectivity:](#)

[2103321-6](#)