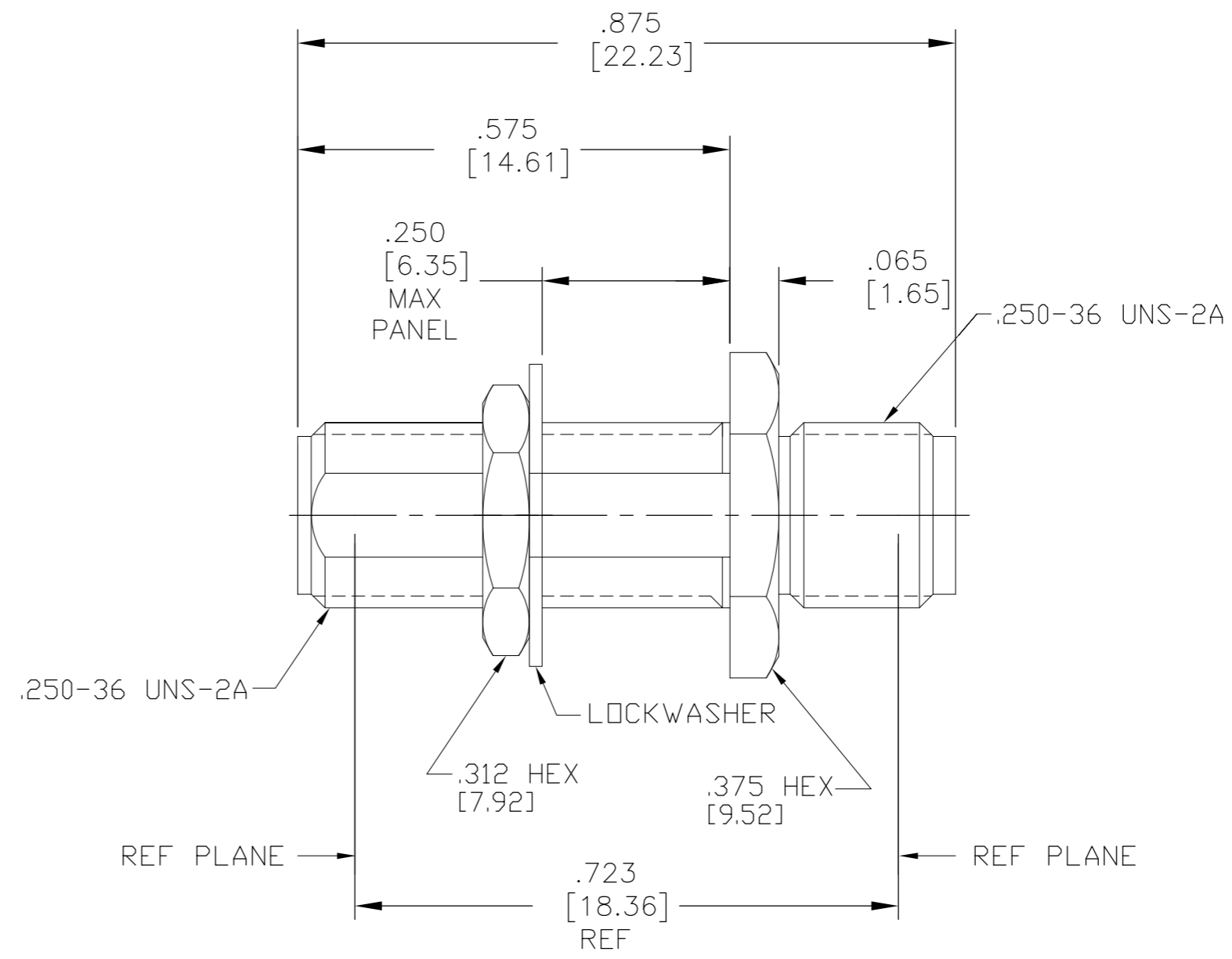
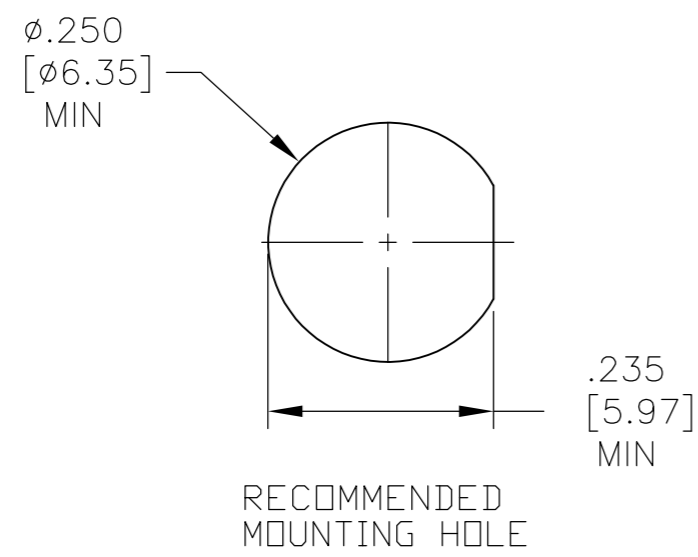


THIS DRAWING IS UNPUBLISHED.		RELEASED FOR PUBLICATION	
© COPYRIGHT - By -		ALL RIGHTS RESERVED.	
HOUSING MOUNTING NUT	STAINLESS STEEL PER ASTM-A484 AND ASTM-A582, TYPE 303	PASSIVATE PER SAE-AMS-2700	
LOCKWASHER	SST PER ASTM-A240	PASSIVATE PER SAE-AMS-2700	
DIELECTRIC	TFE FLUOROCARBON PER ASTM-D-1457	N/A	
CENTER CONTACT	BERYLLIUM COPPER PER ASTM B 196, ALLOY C17300, CONDITION H	GOLD PLATE PER ASTM-B488	
COMPONENT	MATERIAL	FINISH	

LOC	DIST	REVISIONS					
-	-	P	LTR	DESCRIPTION	DATE	DWN	APVD
		B		REV PER ECO 14-003372	3-7-14	CT	DW



ELECTRICAL	MECHANICAL	ENVIRONMENTAL
Nominal Impedance (Ohms) 50	Interface Dimensions MIL-STD-348, Fig. 310.2	TEMPERATURE RATING -65°C TO +165°C
Frequency Range (GHz) DC to 18	Recommended Mating Torque 7-10 In/Lbs	Vibration MIL-STD-202, Method 204, Condition D
Volt Rating (VRMS MAX) @ Sea Level 335	Mating Characteristics:	Shock MIL-STD-202, Method 213, Condition I
VSWR 1.05+.005(f)GHz	Insertion (MAX Lbs) 3.0	Thermal Shock MIL-STD-202, Method 107, Condition C
Insertion Loss (dB MAX) .06 √fGHz	Withdrawal (MIN Oz) 1.0	Moisture Resistance MIL-STD-202, Method 106, Except (7b (Vibration) Shall Be Omitted
RF Leakage (dB MIN) -(90 - f(GHz))	Force to Engage and Disengage (In/Lbs MAX) 2.0	Corrosion - MIL-STD-202, Method 101, Condition B, 5% salt spray
Corona, 70,000 Ft (VRMS MIN) 250	Center Contact Captivation	
Dielectric Withstanding Voltage (VRMS MIN) @ Sea Level 1000	Axial (Lbs) 10.0	
Contact Resistance (Milliohms MAX)	Radial (In/Oz) N/A	
Center Contact 4.0	Weight (Grams) TBD	
Outer Contact 2.0		
RF High Potential @ Sea Level (VRMS MIN @ 5 MHz) 670		
I.R.(Megohms MIN) 10,000		

2101130-1
PART NUMBER

THIS DRAWING IS A CONTROLLED DOCUMENT.		DWN C.C.THOMAS 10JAN2014	STE TE Connectivity	
DIMENSIONS: INCHES		CHK D.WILSON 1-10-14		
TOLERANCES UNLESS OTHERWISE SPECIFIED:		APVD D.WILSON 1-10-14	NAME SMA JACK TO JACK ADAPTER, BULKHEAD FEED-THRU	
0 PLC ± -		PRODUCT SPEC	SIZE A2 CAGE CODE 00779 DRAWING NO C-2101130 RESTRICTED TO	
1 PLC ± -		APPLICATION SPEC	WEIGHT - SCALE 5:1 SHEET 1 of 1 REV B	
2 PLC ± -				
3 PLC ± .005				
4 PLC ± -				
ANGLES ± -				
FINISH SEE TABLE				
MATERIAL SEE TABLE				
		CUSTOMER DRAWING		

Mouser Electronics

Authorized Distributor

Click to View Pricing, Inventory, Delivery & Lifecycle Information:

[TE Connectivity:](#)

[2101130-1](#)