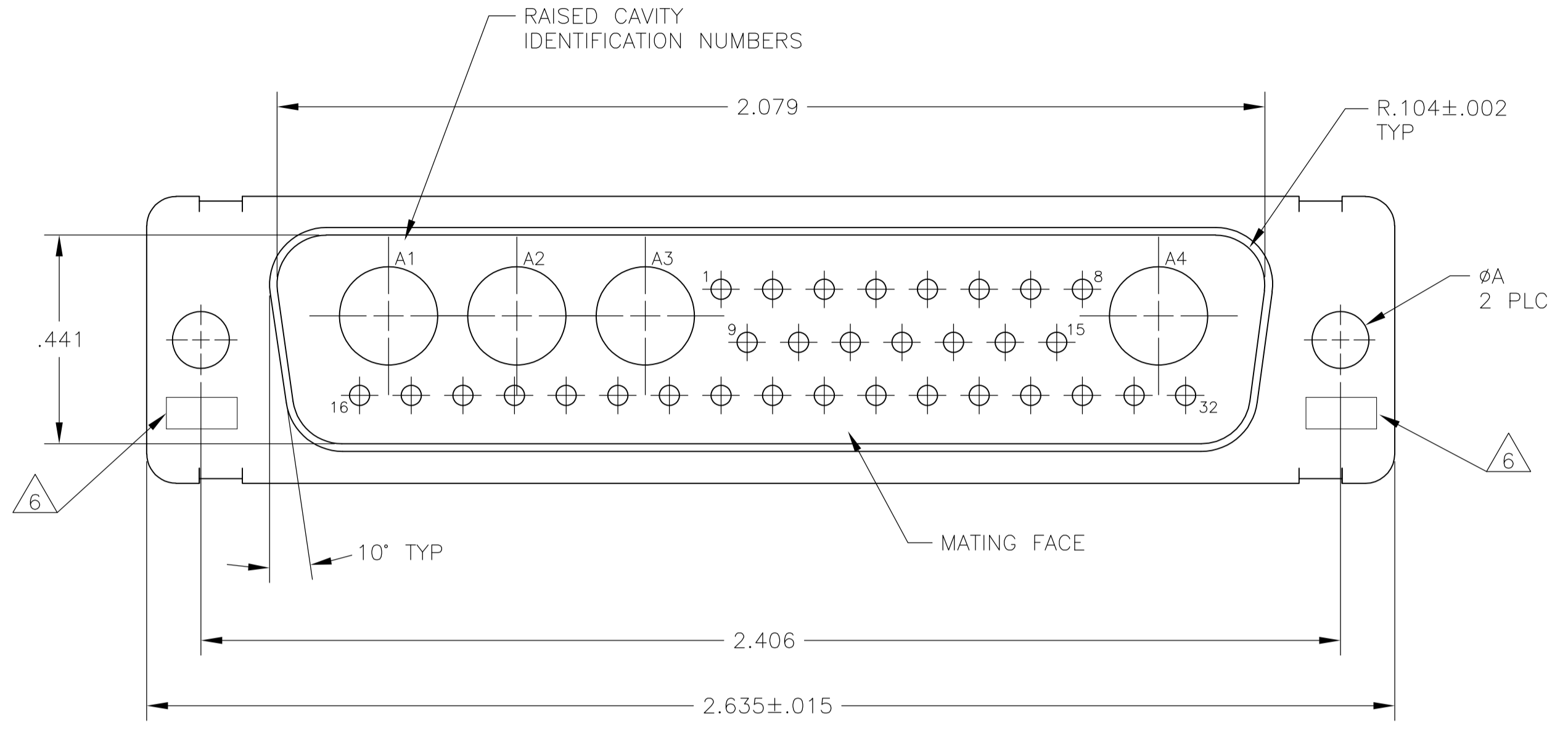
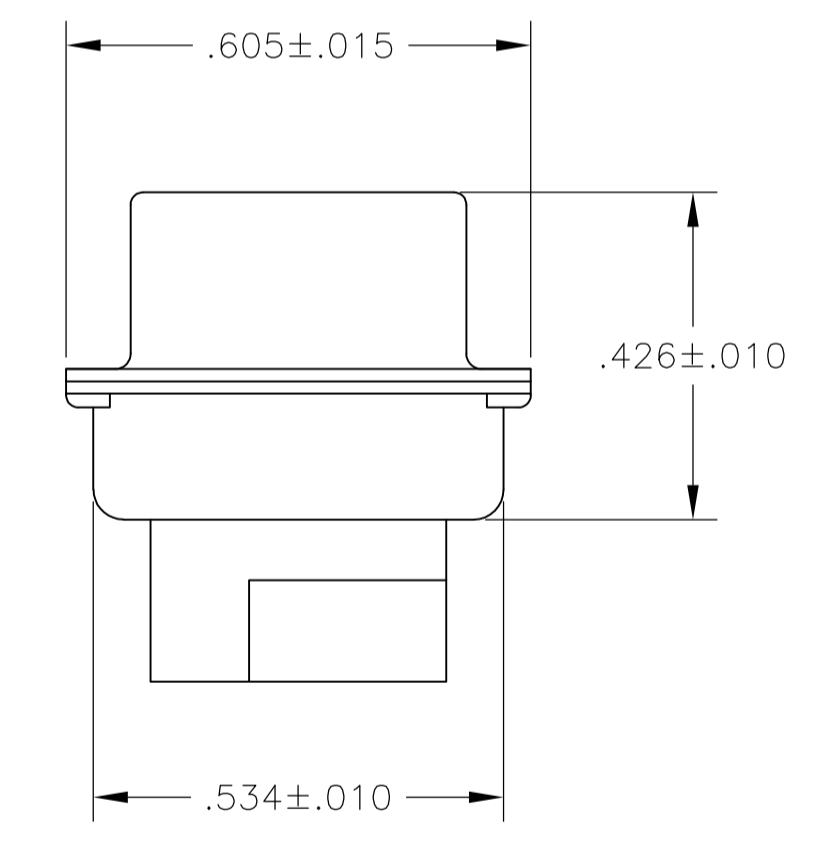
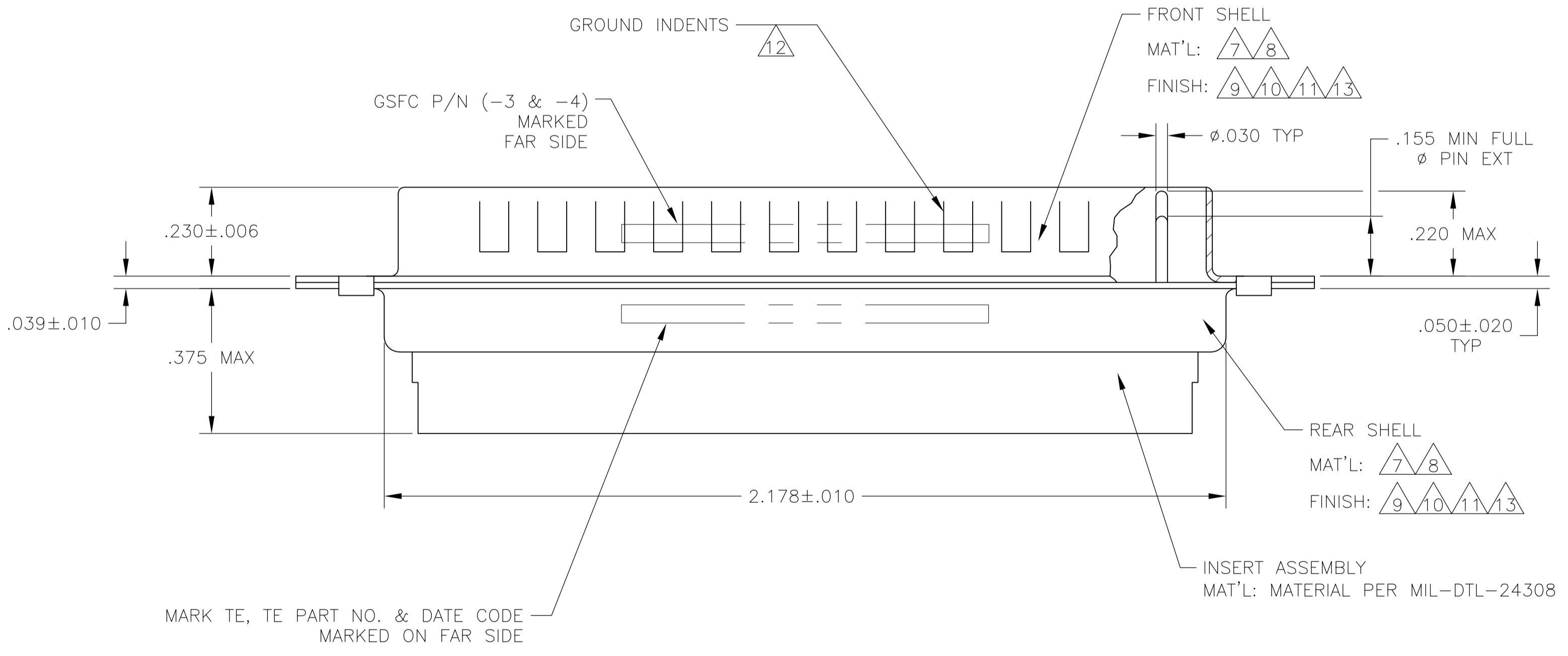


REVISONS		DATE	DMN	APVD
LOC	DIST	DESCRIPTION		
P	LTR	REVISD PER ECO-15-016251	13NOV15	KG CD



1. THIS PLUG WILL MATE WITH ANY 36C4, SIZE 5 RECEPTACLE IN AMPLIMITE SERIES.
2. MAXIMUM WIRE INSULATION TO BE USED WITH THIS PLUG IS $\phi.072$.
3. THIS CONNECTOR ACCEPTS (4) POWER 8, OR COAX PIN CONTACTS IN POSITIONS A1 THRU A4, PURCHASED SEPARATELY.
4. THIS CONNECTOR ACCEPTS SIZE 20 PIN SIGNAL CONTACTS IN POSITIONS 1 THRU 32, PURCHASED SEPARATELY.
5. INSERTION/EXTRACTION TOOL USED FOR SIZE 20 PIN SIGNAL CONTACTS IS 91067-2.

- △6 UL/CSA DESIGNATION STAMPED IN THIS AREA, OPTIONAL.
- △7 STEEL PER ASTM-A-109.
- △8 BRASS PER MIL-C-50 AND ASTM-B-36 UNS NO. C26000.
- △9 FINISH: CADMIUM PLATED PER QQ-P-416, TYPE II, CLASS 2.
- △10 FINISH: GOLD PLATED PER MIL-G-45204 TYPE II, GRADE C, CLASS 1 OVER COPPER PER MIL-C-14550, CLASS IV.
- △11 FINISH: TIN PER ASTM-B-545, .000400 MIN THK OVER COPPER PER AMS2418, .000050 MIN THK.
- △12 GROUND INDENTS FOR 208744-5 & 5-208744-5 ONLY.
- △13 FINISH: ZINC PLATE PER ASTM-B-633 .000200-.000400 THK WITH SUPPLEMENTARY CHROMATE (Cr3+).



MARK TE, TE PART NO. & DATE CODE MARKED ON FAR SIDE

△7, △12, △11	.120	-	5-208744-5
△7, △13	.154	-	5-208744-2
△7, △13	.120	-	5-208744-1
△7, △11, △12	.120	-	208744-5
△8, △10	.154	311P405-23P-B-15	208744-4
△8, △10	.120	311P405-23P-B-12	208744-3
△7, △9	.154	-	208744-2
△7, △9	.120	-	208744-1
REMARKS	ØA	GSFC P/N	PART NO.

THIS DRAWING IS A CONTROLLED DOCUMENT.

DIMENSIONS: INCHES	TOLERANCES UNLESS OTHERWISE SPECIFIED:	0 PLC ± -	1 PLC ± -	2 PLC ± -	3 PLC ± .005(0.13)	4 PLC ± -	ANGLES ± 0°30'
--------------------	--	-----------	-----------	-----------	--------------------	-----------	----------------

MATERIAL	FINISH	WEIGHT	RESTRICTED TO
-	-	-	-

APPROVED: MANJUNATH G.M. (27-May-15), CHARLES THOMAS (27-May-15), CHARLES THOMAS (27-May-15)

NAME: PLUG ASSEMBLY
 AMPLIMITE 36C4
 SIZE 5, COAX MIX

SIZE: A1
 CAGE CODE: 00779
 DRAWING NO: 208744

CUSTOMER DRAWING SCALE: 4:1 SHEET: 1 of 1 REV: P

Mouser Electronics

Authorized Distributor

Click to View Pricing, Inventory, Delivery & Lifecycle Information:

[TE Connectivity:](#)

[208744-5](#)