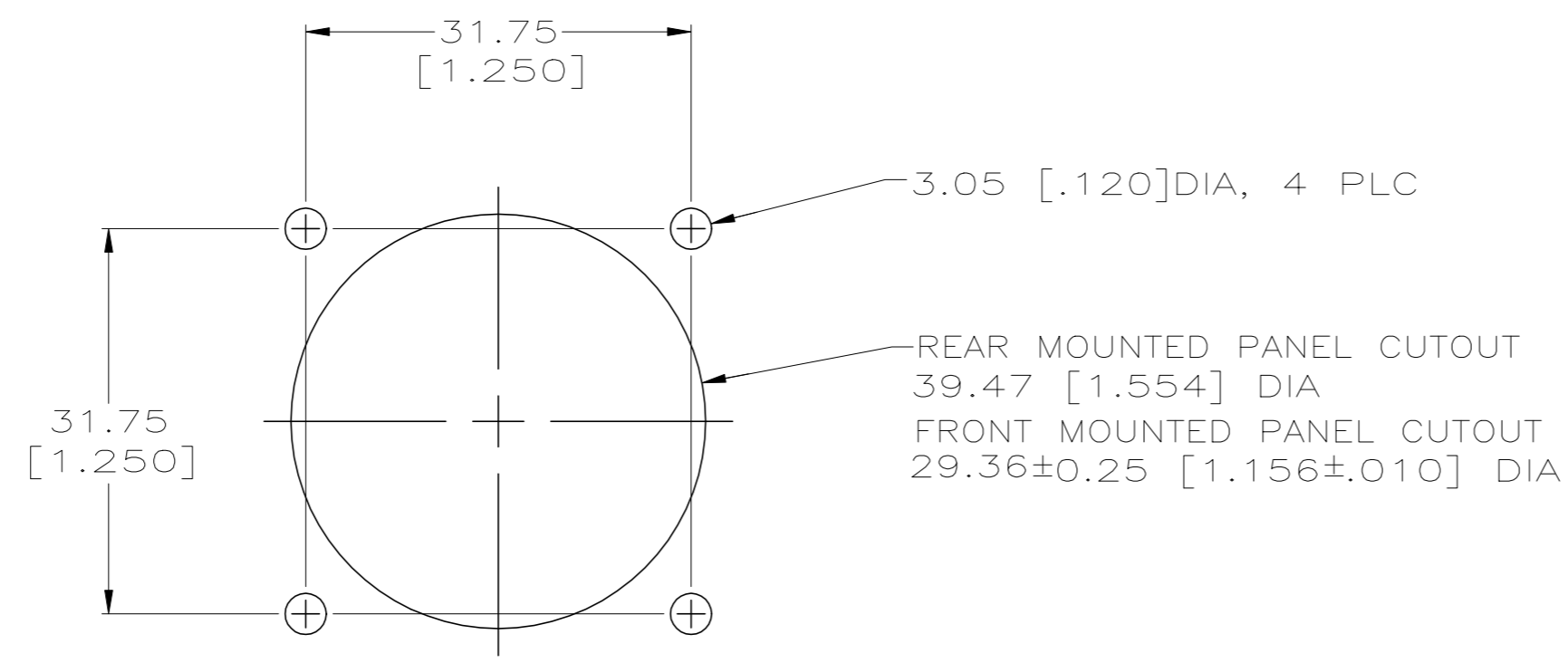
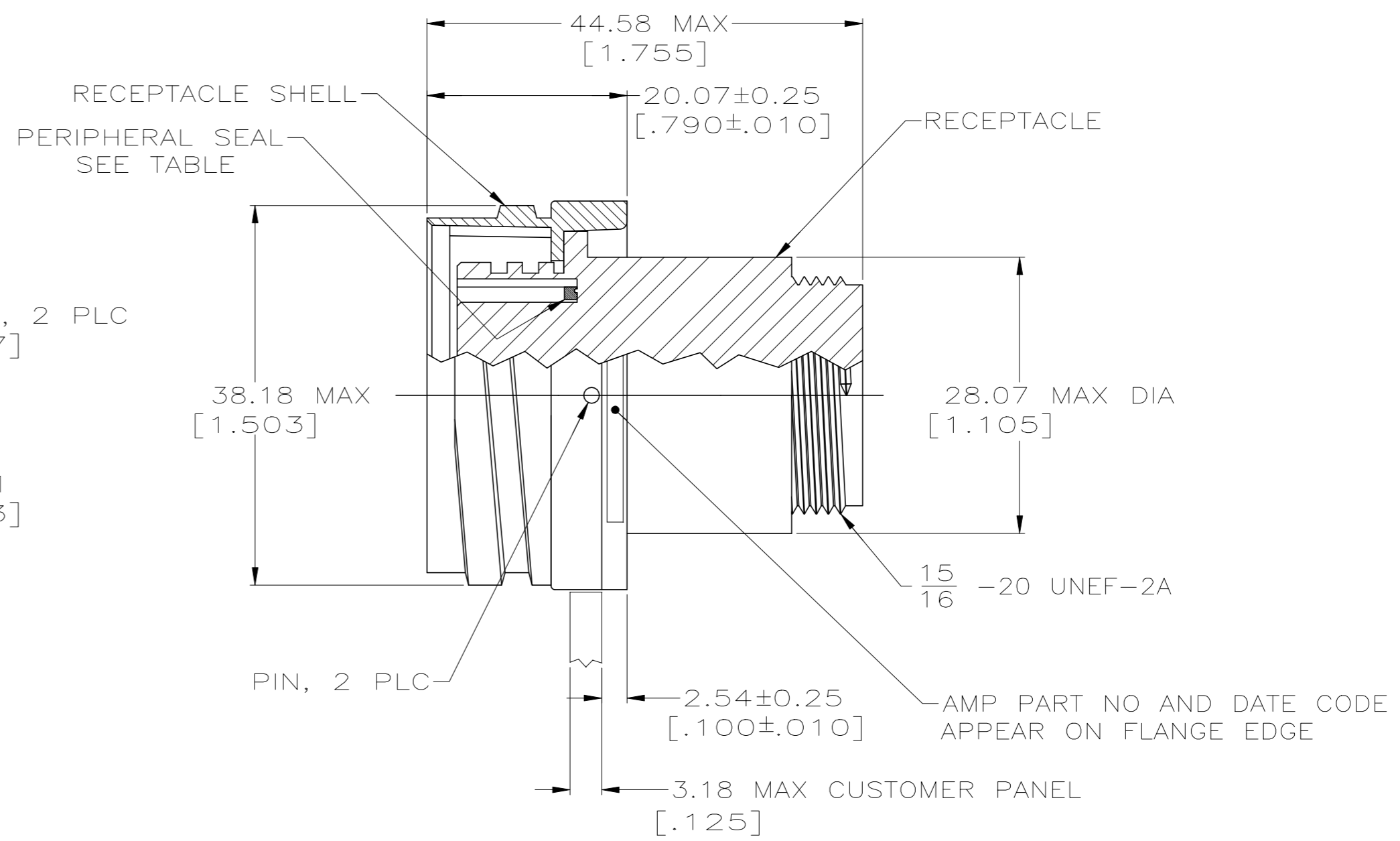
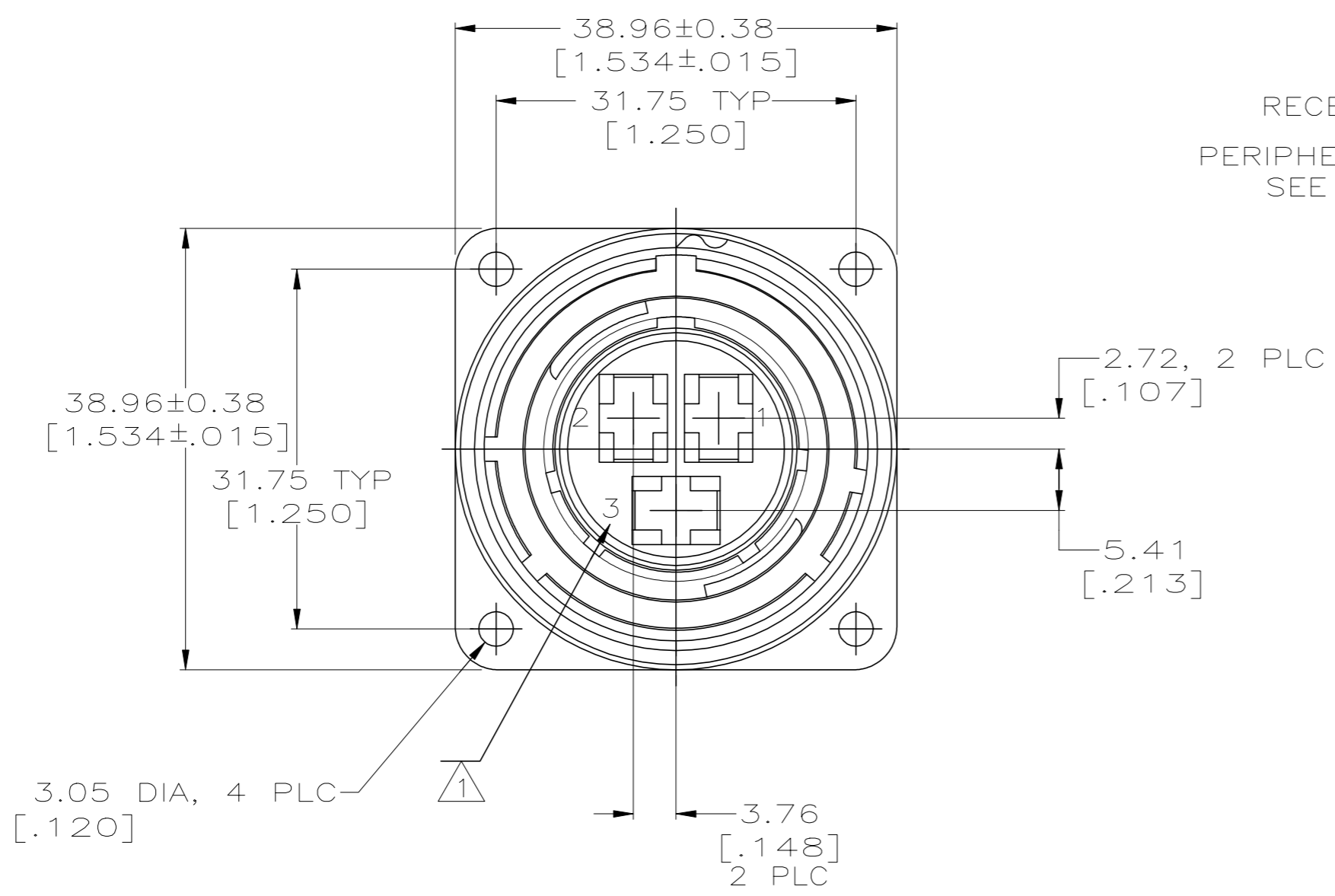


THIS DRAWING IS UNPUBLISHED. RELEASED FOR PUBLICATION
 © COPYRIGHT - TE Connectivity Ltd. ALL RIGHTS RESERVED.

REVISIONS					
P	LTR	DESCRIPTION	DATE	DWN	APVD
	K	REVISED PER ECO-19-011232	07AUG2019	RS	MZ



RECOMMENDED PANEL CUTOUT

- 1 CAVITY IDENTIFICATION CHARACTERS ON FRONT AND REAR FACE.
- 2. RECEPTACLE WILL ACCEPT 3 TYPE XII SOCKET CONTACTS.
- 3 5.08µm [0.000200] MIN NICKEL OVER 10.16µm [0.000400] MIN COPPER.

YES	208497-2
NO	208497-1
PERIPHERAL SEAL	PART NO

THIS DRAWING IS A CONTROLLED DOCUMENT.		DWN W.G.LENKER 1-29-92														
DIMENSIONS: mm [INCHES]		CHK R.STONE 2-11-92														
TOLERANCES UNLESS OTHERWISE SPECIFIED:		APVD C.ROHDE 2-12-92	NAME													
<table border="1"> <tr><td>0 PLC</td><td>± -</td></tr> <tr><td>1 PLC</td><td>± -</td></tr> <tr><td>2 PLC</td><td>± 0.13[.005]</td></tr> <tr><td>3 PLC</td><td>± -</td></tr> <tr><td>4 PLC</td><td>± -</td></tr> <tr><td>ANGLES</td><td>± -</td></tr> </table>		0 PLC	± -	1 PLC	± -	2 PLC	± 0.13[.005]	3 PLC	± -	4 PLC	± -	ANGLES	± -	PRODUCT SPEC	RECEPTACLE ASSEMBLY, 22-3, REV SEX, CMC	
0 PLC	± -															
1 PLC	± -															
2 PLC	± 0.13[.005]															
3 PLC	± -															
4 PLC	± -															
ANGLES	± -															
MATERIAL RECEPTACLE: NYLON, BLACK RCPT SHELL: ZINC PERIP SEAL: ELASTOMER, BLACK PIN: CARBON STEEL		APPLICATION SPEC	SIZE	CAGE CODE	DRAWING NO	RESTRICTED TO										
FINISH RCPT SHELL: 3 PIN: NICKEL PLATED		WEIGHT	A2	00779	C=208497	-										
		CUSTOMER DRAWING	SCALE	SHEET	REV											
			2:1	1 of 1	K											

Mouser Electronics

Authorized Distributor

Click to View Pricing, Inventory, Delivery & Lifecycle Information:

[TE Connectivity:](#)

[208497-1](#)