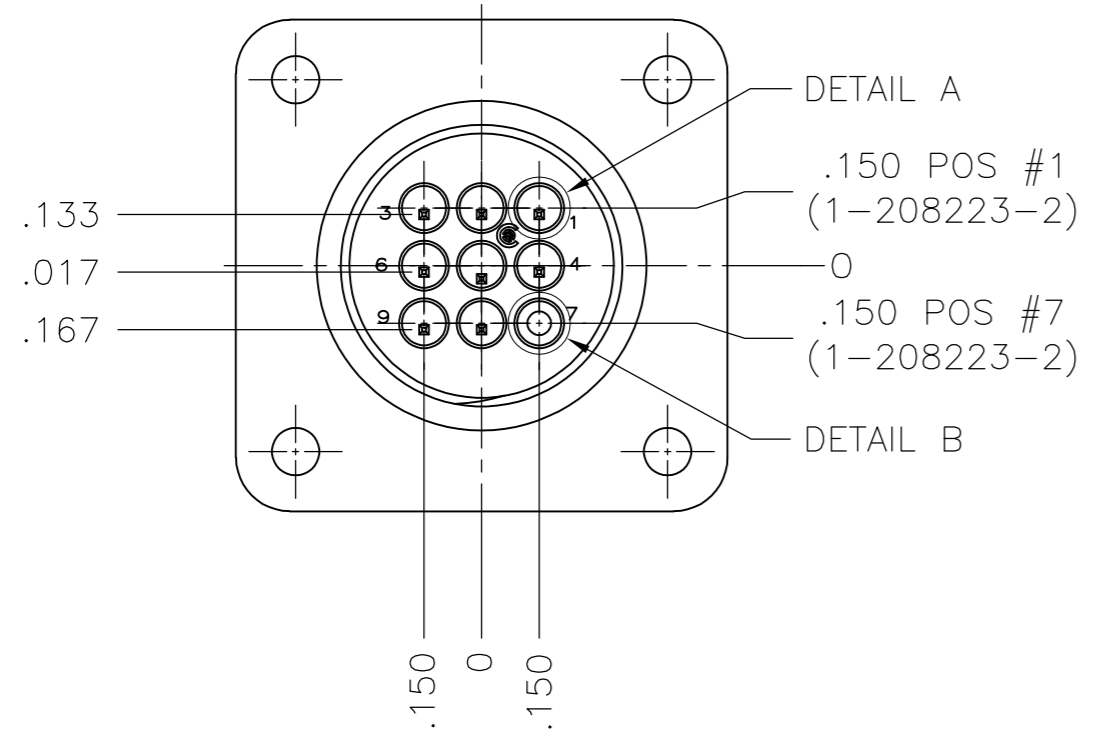
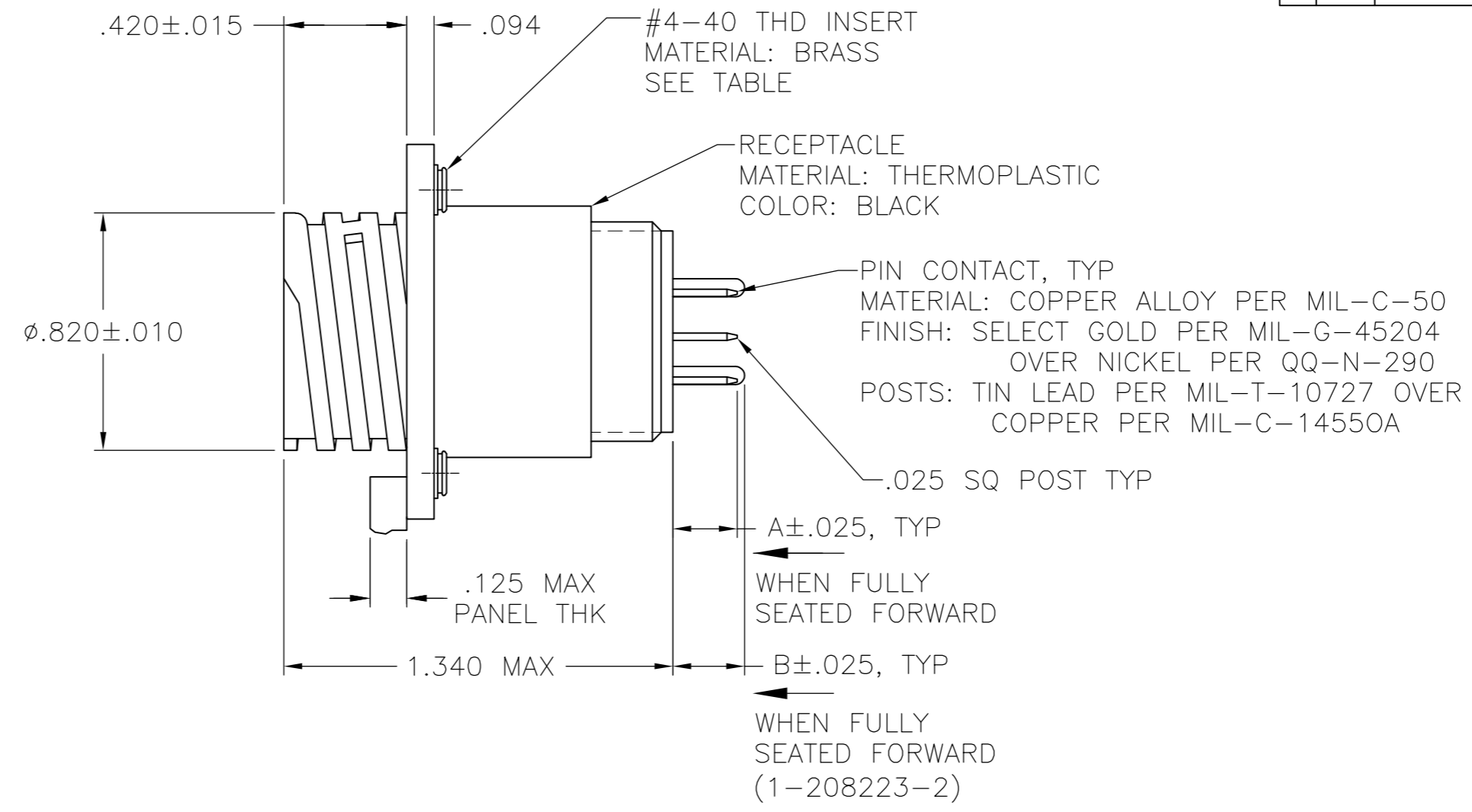
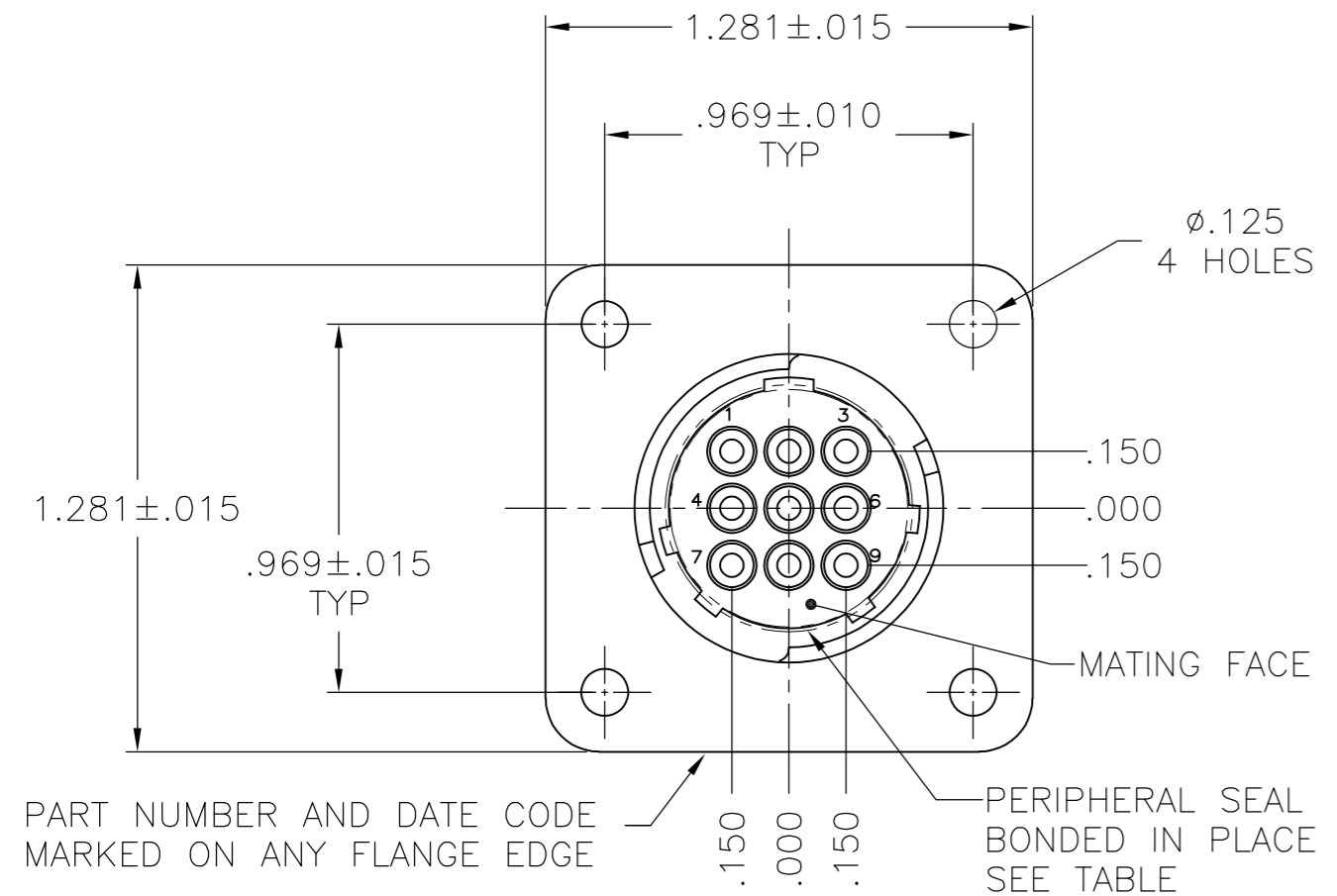
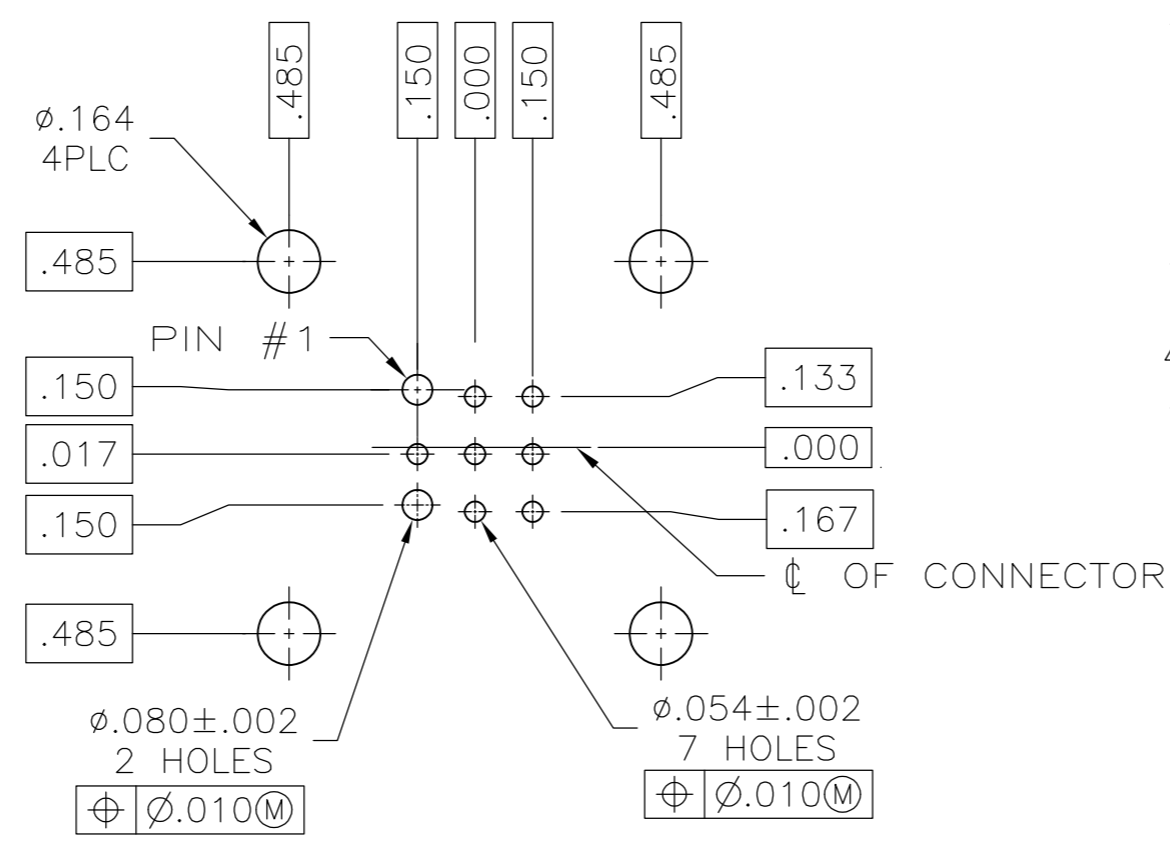
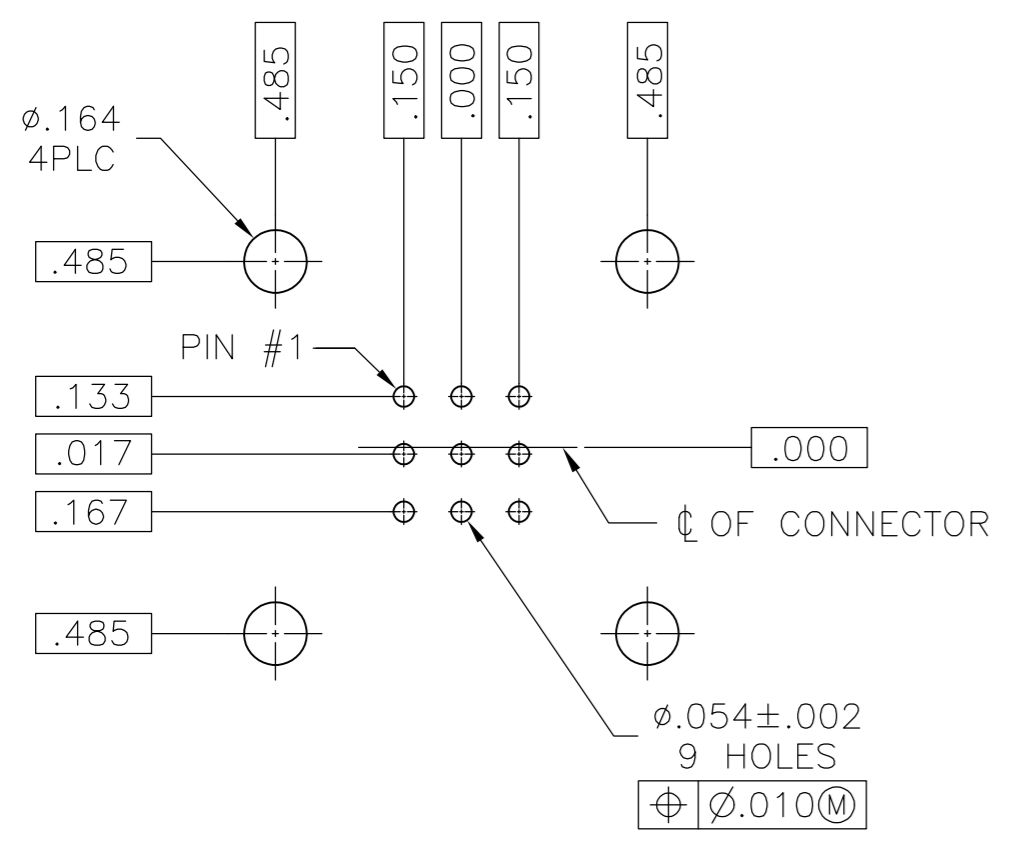


THIS DRAWING IS UNPUBLISHED. RELEASED FOR PUBLICATION
 © COPYRIGHT - By - ALL RIGHTS RESERVED.

REVISIONS					
P	LTR	DESCRIPTION	DATE	DWN	APVD
U		REVISED PER ECO-16-009792	2JUL2016	NK	MZ
V		REVISED PER ECO-17-004657	06APR2017	BDA	MZ



- 1 1-66460-0 WILL BE SELECTIVELY LOADED INTO POSITIONS 2, 4, 6, 7, 9 AND 66464-3 WILL BE LOADED INTO POSITIONS 1, 3, 5, 8 OF THE HOUSING.
- 2 LOAD ALL POSITIONS EXCEPT POSITION NUMBER 4.
- 3 TIN PLATED CONTACTS.
- 4 194264-1 LOADED INTO POSITIONS 1 & 7.
- 5 OBSOLETE PARTS: OBSOLETE CIS STREAMLINING PER D.RENAUD/D.SINISI.



4	3	3	3	2	5	1				
OBSOLETE		.130	YES	YES			1-208223-3			
OBSOLETE		.245	NO	YES			1-208223-2			
	3		YES	YES			1-208223-1			
	3		NO	YES			1-208223-0			
	3		NO	NO			208223-9			
OBSOLETE		.220	YES	NO			208223-8			
OBSOLETE		.220	NO	NO			208223-7			
OBSOLETE		.618	NO	YES			208223-6			
OBSOLETE		.220	YES	YES			208223-5			
OBSOLETE		.220	NO	NO			208223-4			
			NO	YES			208223-3			
OBSOLETE		.429	NO	NO			208223-2			
			NO	NO			208223-1			
								B	A	PERIPHERAL SEAL
										THREADED INSERTS
										PART NUMBER

THIS DRAWING IS A CONTROLLED DOCUMENT. DWN R.LEE BG 6-22-91
 CHK W.G.LENKER 4-14-92
 APVD -

DIMENSIONS: INCHES TOLERANCES UNLESS OTHERWISE SPECIFIED:
 0 PLC ± -
 1 PLC ± -
 2 PLC ± -
 3 PLC ± .005
 4 PLC ± -
 ANGLES ± -

MATERIAL SEE CALLOUT FINISH SEE CALLOUT

PRODUCT SPEC 108-10024 APPLICATION SPEC -

WEIGHT -

CUSTOMER DRAWING SCALE 2:1 SHEET 1 of 1 REV V

TE Connectivity
 RECEPTACLE ASSEMBLY, POSTED, STD SEX, SERIES 1, 13-9, CPC

SIZE A2 CAGE CODE 00779 C=208223 DRAWING NO RESTRICTED TO

Mouser Electronics

Authorized Distributor

Click to View Pricing, Inventory, Delivery & Lifecycle Information:

[TE Connectivity:](#)

[208223-3](#)