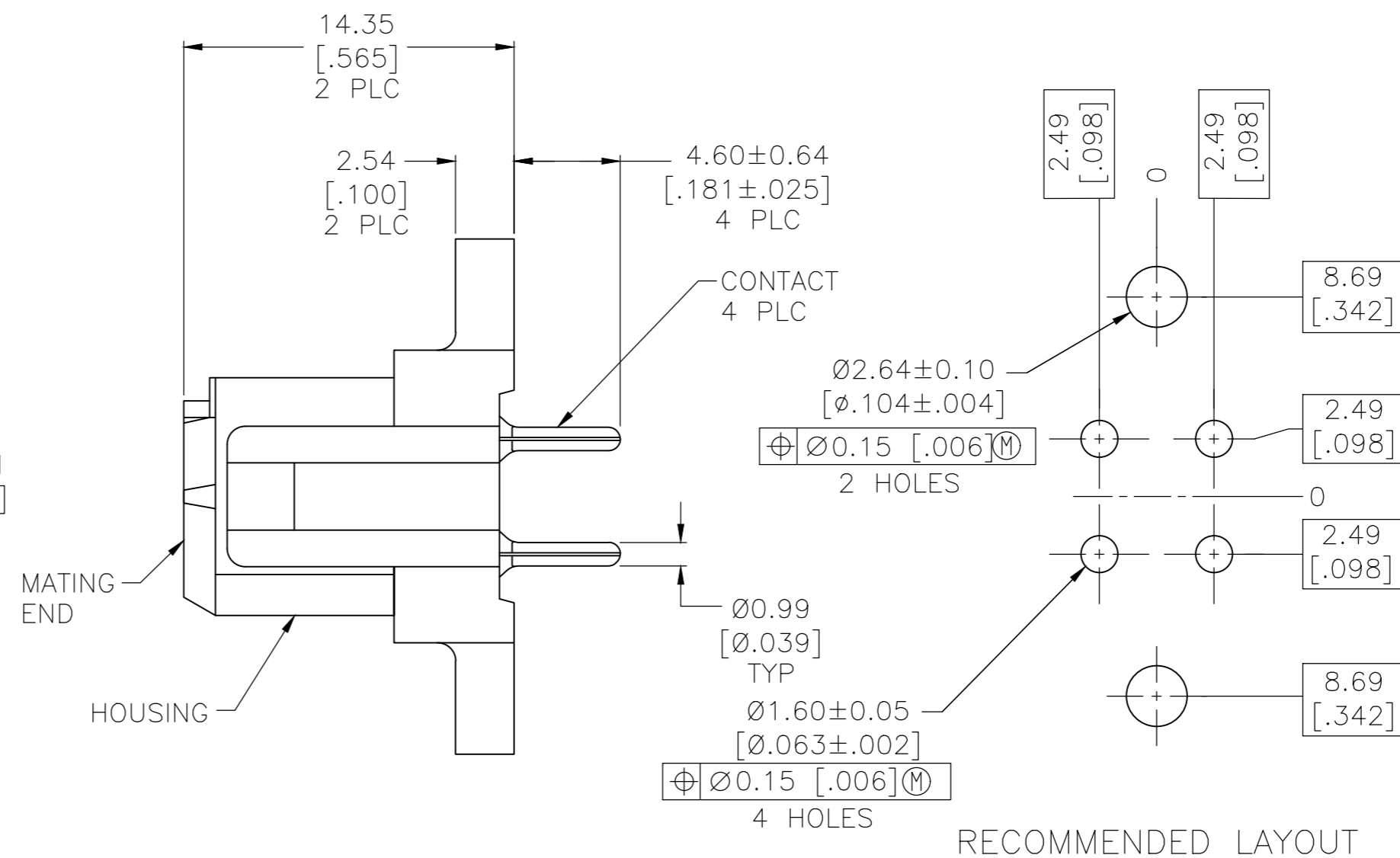
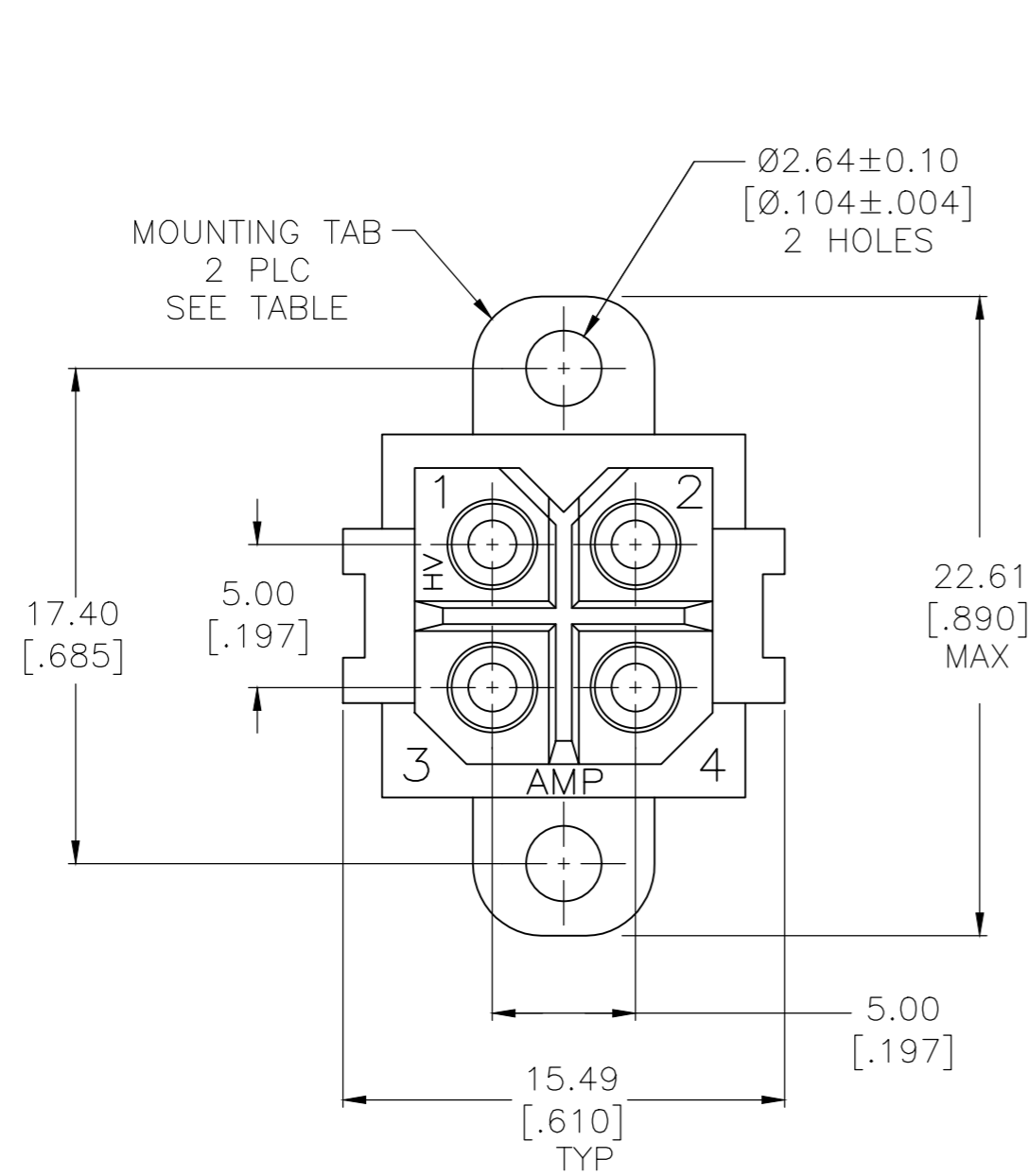


REVISIONS					
P	LTR	DESCRIPTION	DATE	DWN	APVD
R		REVISED PER ECO-18-012313	06AUG2018	RS	MZ
S		REVISED PER ECO-20-002046	14FEB2020	RK	MZ



- 1 HOUSING MATERIAL: PA66, BLACK, UL 94 V-0 RATED.
- 2 CONTACT MATERIAL: PHOSPHOR BRONZE.
- 3 3.81µm [.000150] MIN TIN-LEAD OVER 1.27µm [.000050] MIN NICKEL.
- 4 0.76µm [.000030] MIN GOLD FOR A LENGTH OF 4.95 [.195] MIN FROM MATING END, 3.81µm [.000150] MIN TIN-LEAD FOR A LENGTH OF 4.88 [.192] MIN ON OPPOSITE END, BOTH OVER 1.27µm [.000050] MIN NICKEL.
- 5 3.81µm [.000150] MIN TIN OVER 1.27µm [.000050] MIN NICKEL.
- 6 0.76µm [.000030] MIN GOLD FOR A LENGTH OF 4.95 [.195] MIN FROM MATING END, 3.81µm [.000150] MIN TIN FOR A LENGTH OF 4.88 [.192] MIN ON OPPOSITE END, BOTH OVER 1.27µm [.000050] MIN NICKEL.

OBSOLETE	6	NO	-1-207496-0-
	6	YES	207496-9
OBSOLETE	5	NO	-207496-8-
	5	YES	207496-7
	4	NO	207496-4
OBSOLETE	4	YES	207496-3
OBSOLETE	3	NO	207496-2
OBSOLETE	3	YES	207496-1
		CONTACT FINISH	MOUNTING TABS
			PART NUMBER

THIS DRAWING IS A CONTROLLED DOCUMENT.		DWN	03/17/92	L.SIPE	
DIMENSIONS: mm [INCHES]		CHK	3-25-92	R.STONE	
TOLERANCES UNLESS OTHERWISE SPECIFIED:		APVD	-	NAME	
0 PLC ± -		PRODUCT SPEC	108-10033	SOCKET HEADER ASSEMBLY, 4 POSN, METRIMATE	
1 PLC ± -		APPLICATION SPEC	-	SIZE	A2
2 PLC ± 0.13 [.005]		MATERIAL	SEE NOTE	CAGE CODE	00779
3 PLC ± -		FINISH	CONTACT: SEE TABLE	DRAWING NO	C=207496
4 PLC ± -		WEIGHT	-	RESTRICTED TO	-
ANGLES ± -		CUSTOMER DRAWING	SCALE	4:1	SHEET
				1	1
				REV	S

Mouser Electronics

Authorized Distributor

Click to View Pricing, Inventory, Delivery & Lifecycle Information:

[TE Connectivity:](#)

[207496-4](#)