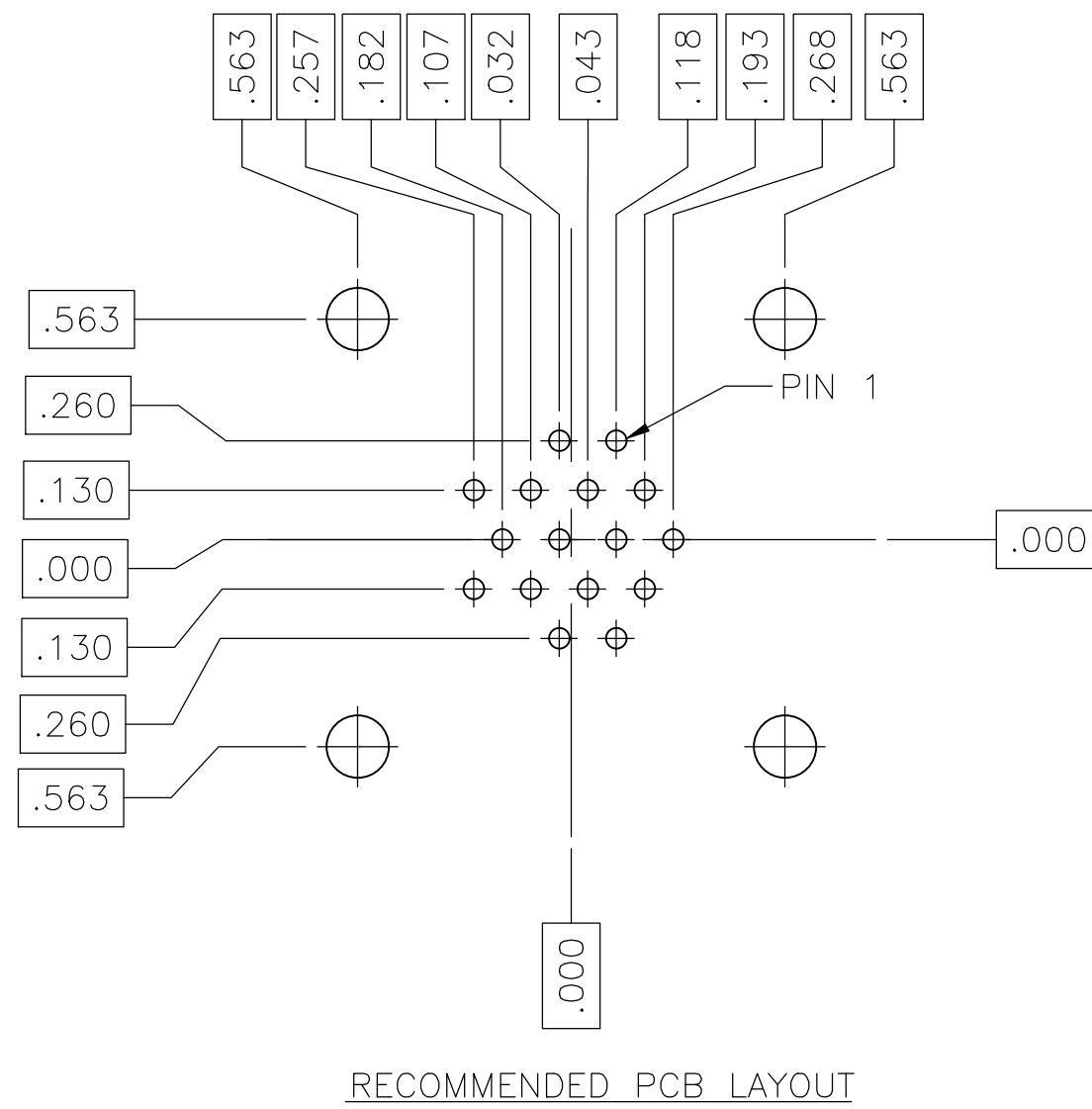
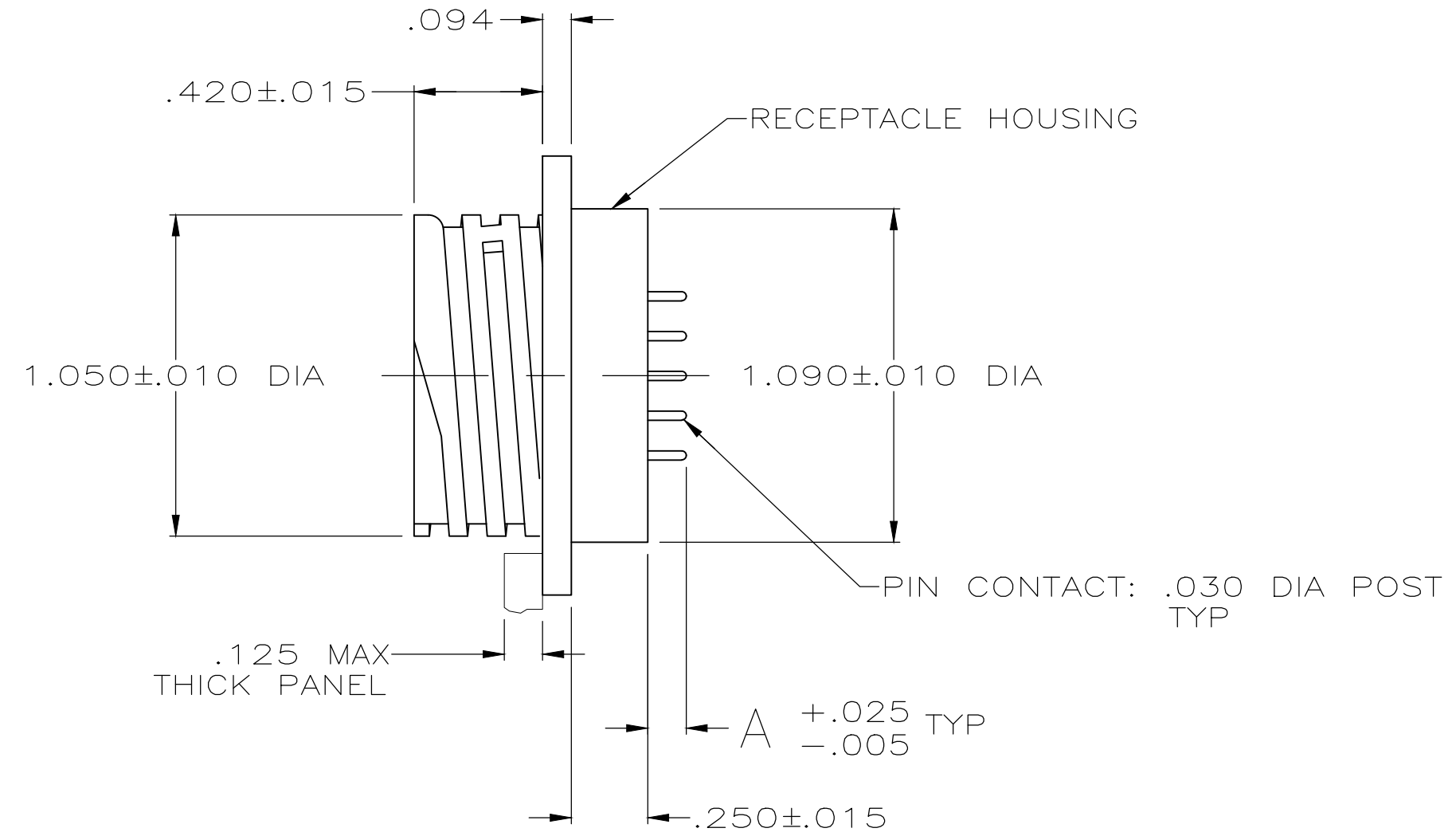
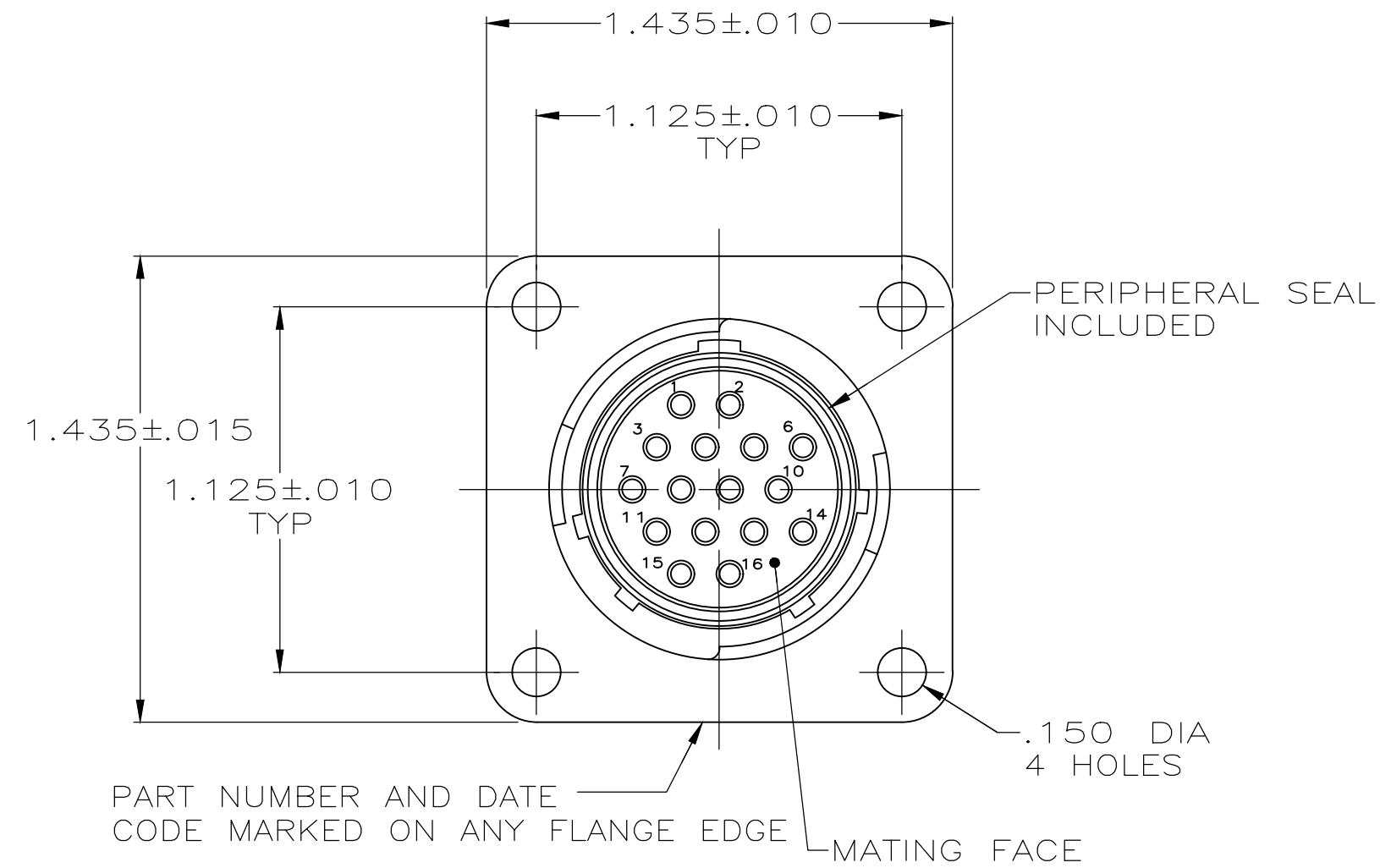


REVISIONS					
P	LTR	DESCRIPTION	DATE	DWN	APVD
J		REVISED PER ECO-20-014840	21OCT2020	RK	MZ



OBSOLETE	.175	4	207292-4
	.175	3	207292-3
	.125	4	207292-2
	.125	3	207292-1
A		FINISH	PART NUMBER

- 1 NYLON, UL 94V-0 RATED, BLACK.
- 2 BRASS.
- 3 .000100 MIN TIN PER MIL-T-10727 OVER NICKEL FLASH PER QQ-N-290.
- 4 .000030 MIN GOLD PER MIL-G-45204 OVER .000030 MIN NICKEL PER QQ-N-290.

THIS DRAWING IS A CONTROLLED DOCUMENT.		DWN J GALLUCCI BG 5-22-91		
DIMENSIONS: INCHES		CHK R.STONE 3-4-92		
TOLERANCES UNLESS OTHERWISE SPECIFIED:		APVD -	NAME POSTED RECEPTACLE ASSEMBLY, STD SEX, SERIES 1, 17-16, CPC	
0 PLC ± - 1 PLC ± - 2 PLC ± - 3 PLC ± .005 4 PLC ± - ANGLES ± -		PRODUCT SPEC -	RESTRICTED TO -	
MATERIAL RECEPT HOUSING: 1 PIN CONTACT: 2		FINISH PIN CONTACT: SEE TABLE	WEIGHT -	SIZE A2
CUSTOMER DRAWING		CAGE CODE 00779	DRAWING NO C-207292	SCALE 2:1
		SHEET 1 of 1	REV J	

Mouser Electronics

Authorized Distributor

Click to View Pricing, Inventory, Delivery & Lifecycle Information:

[TE Connectivity:](#)

[207292-2](#)