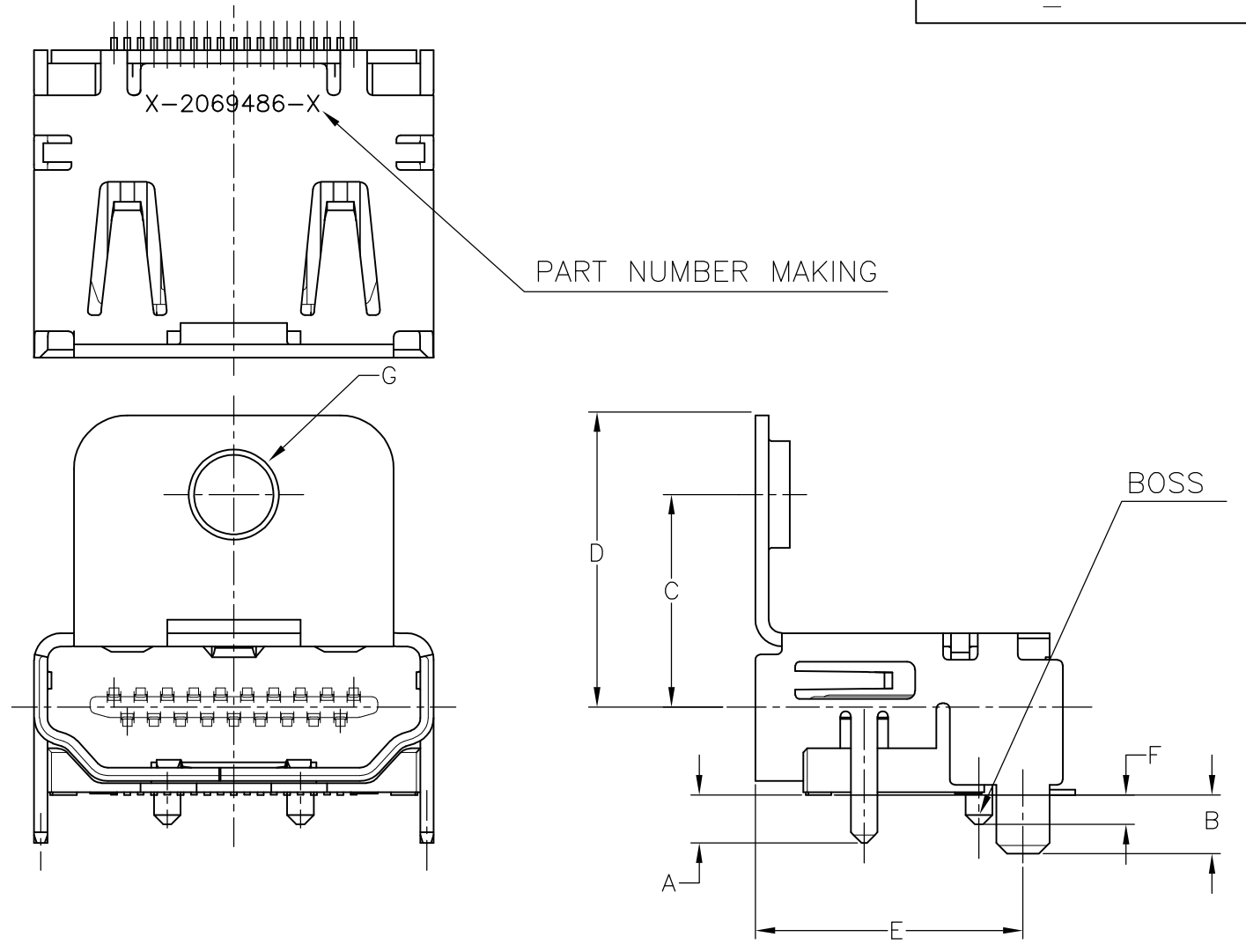


- △ PEELING RESISTANCE: 0.1 TO 0.7N  
PEELING SPEED: 300mm/MINUTES
- 2 MATERIAL/ PARTS WHICH CONTAIN PROHIBITION SUBSTANCES WHICH ARE DESCRIBED IN THE TABLE 1 OF 4.2 ENVIROMENT RELATED SUBSTANCE CONTROL STANDARD ON 14-2.5.0.6, MUST NOT BE USED IN PRODUCT NOR MANUFACTURUNG PROCESS.
- 3 PART NUMBER MARKING



REFERENCE CONNECTOR DIMENSION

	SOFT TRAY REC				COVER TAPE		EMBOSS CARRIER TAPE			REC ASSEMBLY			ITEM	PART NUMBER	DISCRIPTION											
	8-912129-8	6-912129-8	3-912141-3	3-912103-5	972366-5	972366-3	1-912125-8	912125-8	4-912103-3	1-2069155-3	1-2069155-2	1-2069155-1				2069155-2	2069155-1									
	④				③		②			①																
NO MARKING	1											70			-	M3X0.5	-	10.05	10.95	7.98	2.2	1.8	WITHOUT BOSS	CLEAR TRAY	WITH FLANGE	2-2069486-1
NO MARKING					1		1					170			14.3	M3X0.5	-	10.05	10.95	7.98	1.5	1.5	WITHOUT BOSS	EMBOSS TAPE	WITH FLANGE	1-2069486-3
NO MARKING			1								70				-	#4-40 UNC	-	10.05	12.75	10-08	2.2	1.8	WITHOUT BOSS	SOFT TRAY	WITH FLANGE	1-2069486-2
NO MARKING			1								70				-	M3X0.5	-	10.05	10.95	7.98	1.5	1.5	WITHOUT BOSS	SOFT TRAY	WITH FLANGE	1-2069486-1
NO MARKING					1			1				300			-	-	-	10.05	-	-	1.5	1.5	WITHOUT BOSS	EMBOSS TAPE	WITHOUT FLANGE	2069486-2
OBSOLETE					1			1				300			-	-	-	10.05	-	-	2.2	1.8	WITHOUT BOSS	EMBOSS TAPE	WITHOUT FLANGE	2069486-1
△ P/N MARKING	QTY REQUIRED PER ASSY												DIM H	SCREW SIZE G	DIM F	DIM E	DIM D	DIM C	DIM B	DIM A	BOSS △	PACKING	CONNECTOR	PART NUMBER		

THIS DRAWING IS A CONTROLLED DOCUMENT.

DWN	Y.HARADA	09MAY2008
CHK	C.OHASHI	08MAY2008
APVD	Y.NAKAZAWA	08MAY2008

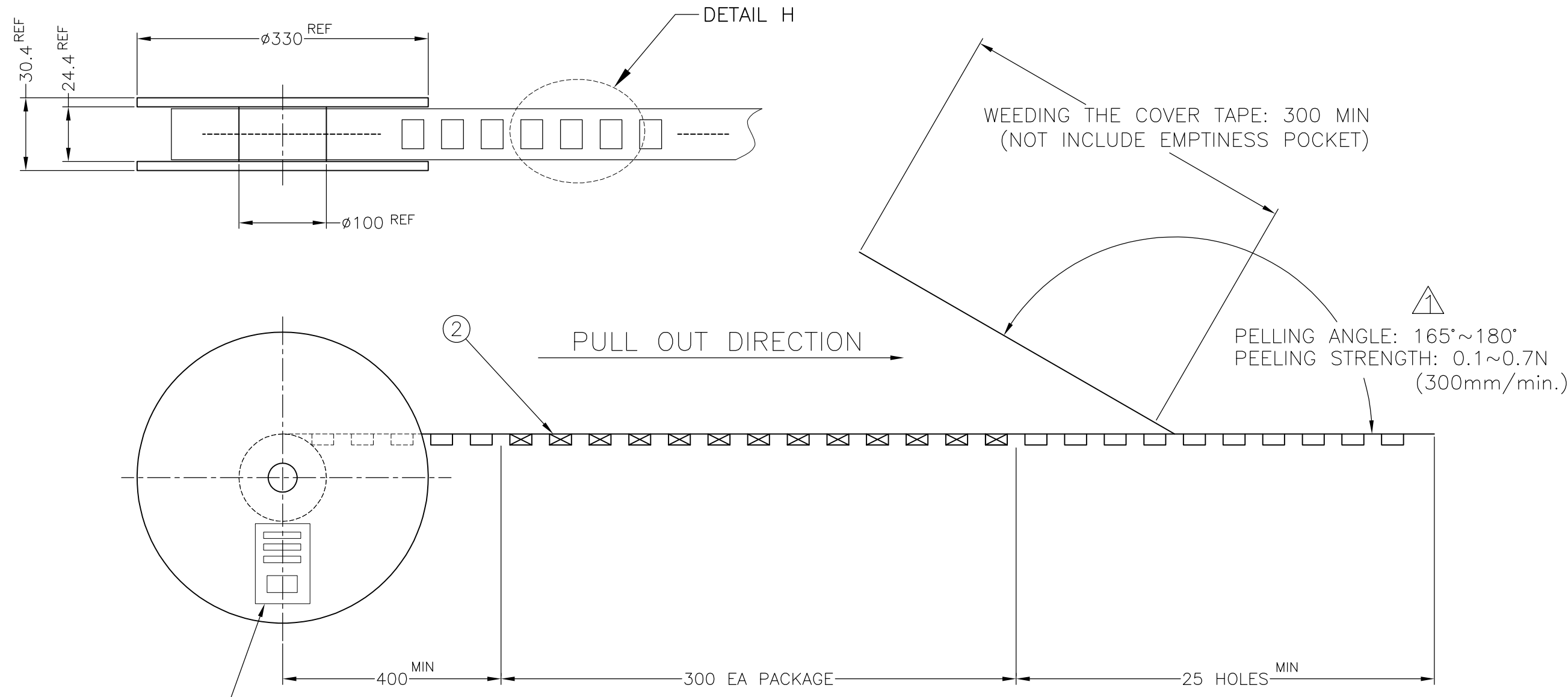
TE Connectivity

EMBOSS PACKAGE AND TRAY PACKAGE  
HDMI RECEPTACLE SMT

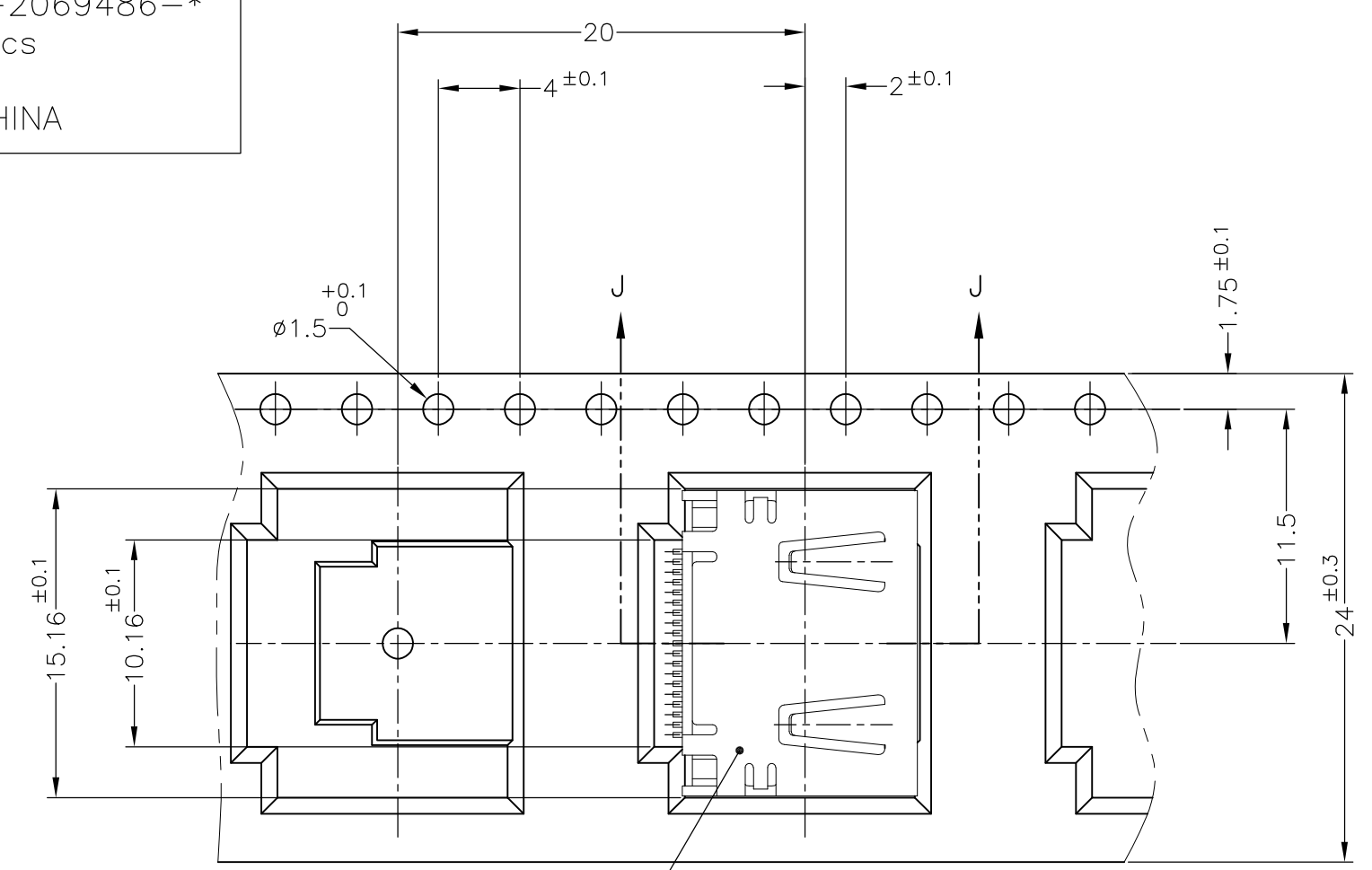
SIZE	CAGE CODE	DRAWING NO	RESTRICTED TO
A2	00779	C=2069486	-

SCALE NTS SHEET 1 of 4 REV A

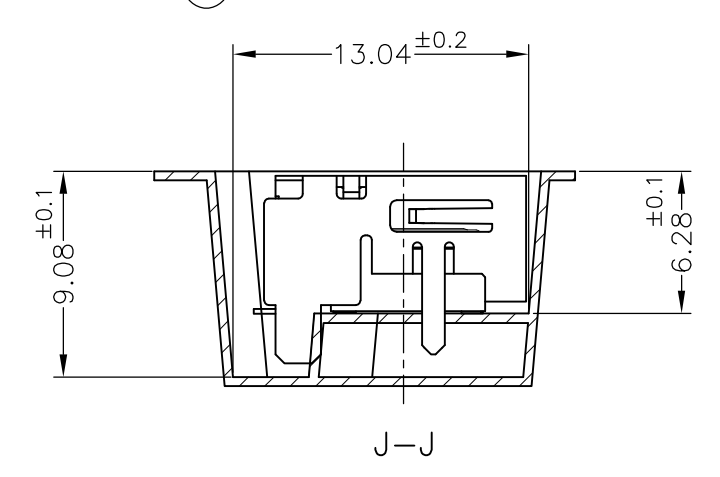
2069486-1, 2069486-2; AS SHOWN



**LABEL DESCRIPTION**  
 TE P/N: \*-2069486-\*  
 QTY: 300 pcs  
 D/C: MADE IN CHINA



DETAIL H



J-J

300	972366-3	4-912103-3	WITHOUT FLANGE TYPE P/N 2069155-2	2069486-2
300	972366-3	4-912103-3	WITHOUT FLANGE TYPE P/N 2069155-1	2069486-1
QTY	COVER TAPE ③	EMBOSS TAPE ②	CONNECTOR PART NUMBER ①	PART NUMBER

THIS DRAWING IS A CONTROLLED DOCUMENT.

DWN	Y.HARADA	09MAY2008
CHK	C.OHASHI	08MAY2008
APVD	Y.NAKAZAWA	08MAY2008

NAME: Y.NAKAZAWA

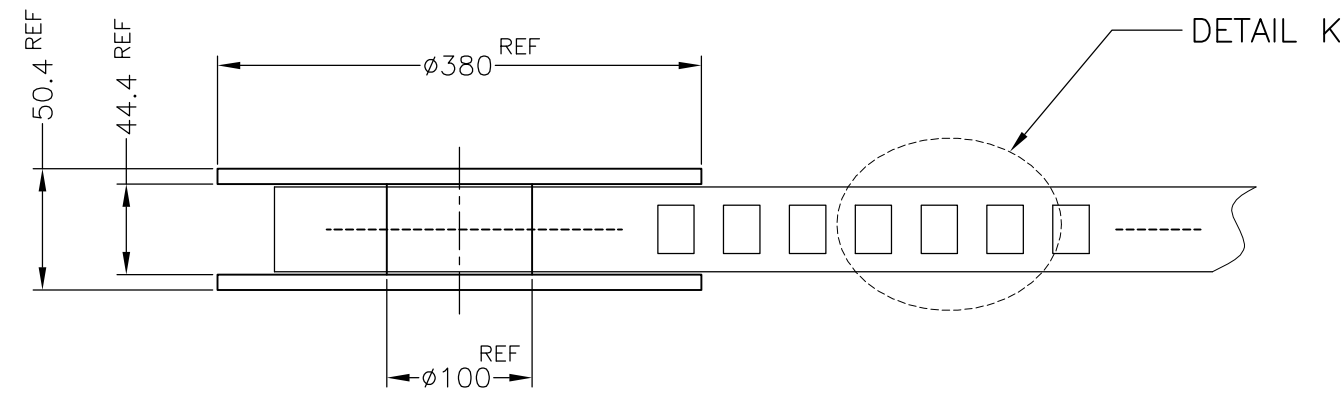
PRODUCT SPEC: EMBOSS PACKAGE AND TRAY PACKAGE HDMI RECEPTACLE SMT

SIZE	CAGE CODE	DRAWING NO	RESTRICTED TO
A2	00779	C=2069486	-

CUSTOMER DRAWING SCALE NTS SHEET 2 of 4 REV A

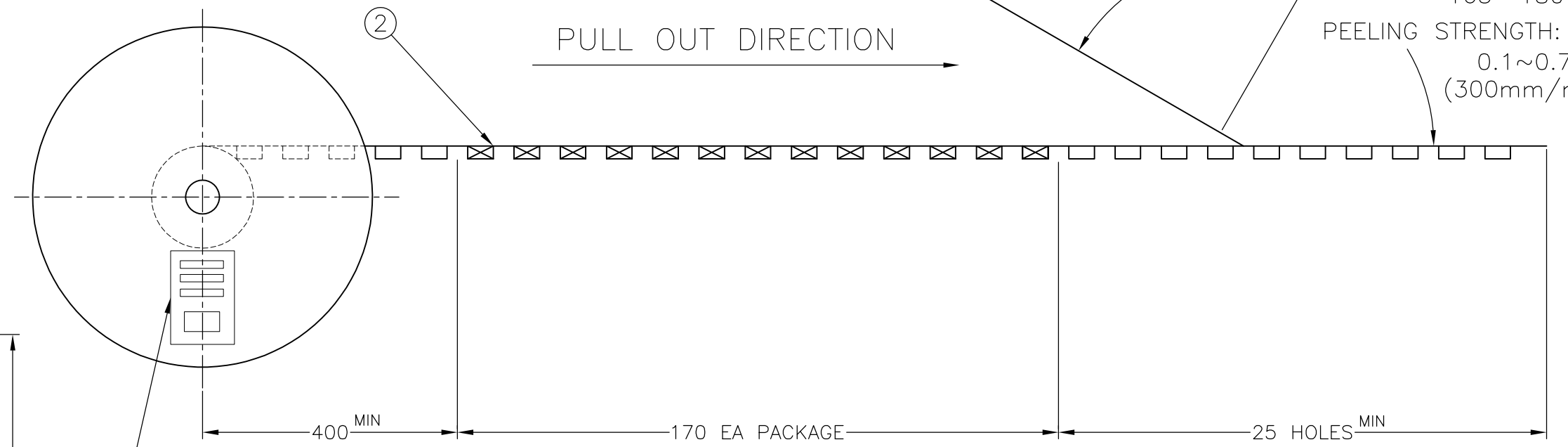
1-2069486-3: AS SHOWN

USED ON



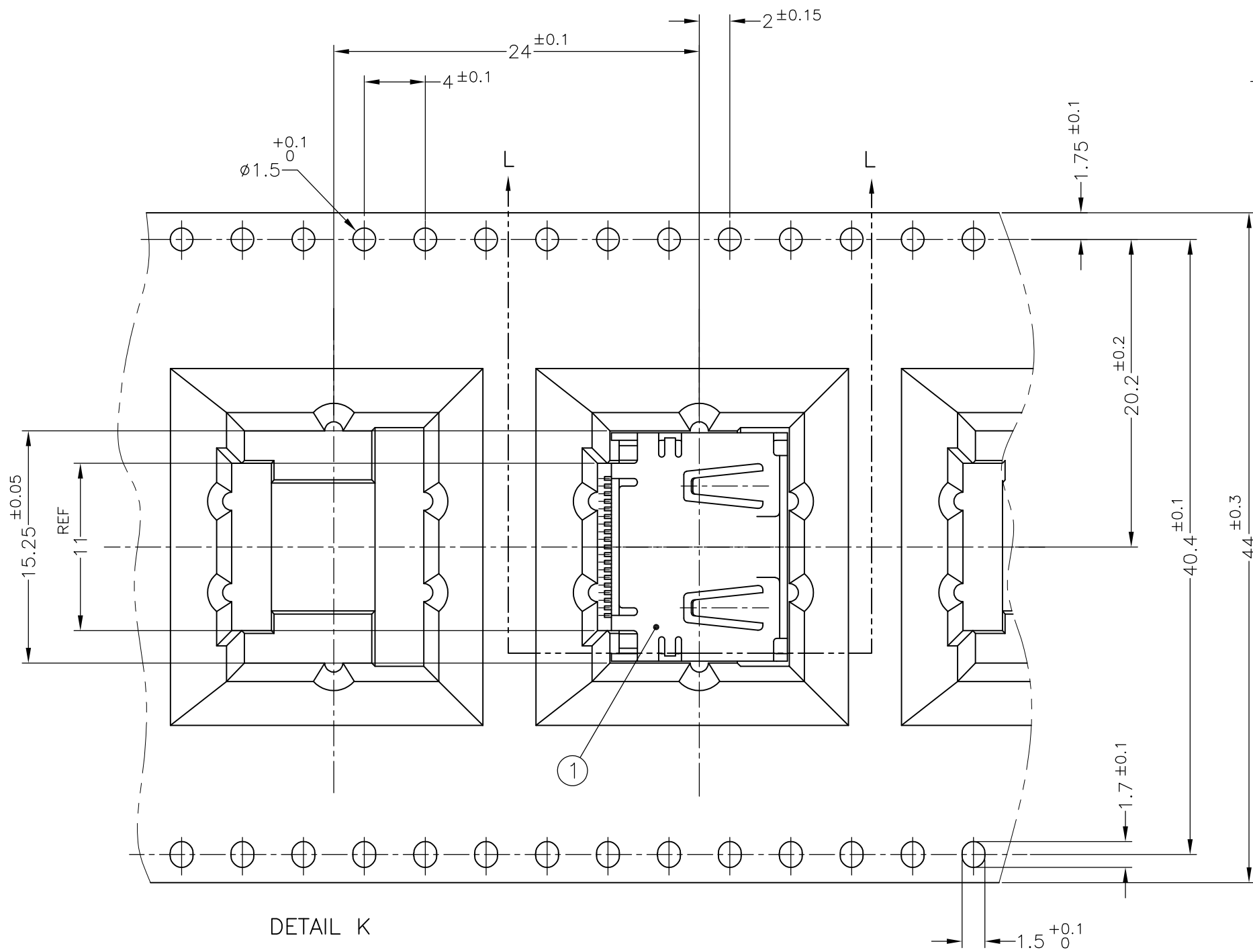
WEEDING THE COVER TAPE: 300 MIN  
(NOT INCLUDE EMPTINESS POCKET)

PELLING ANGLE: 165°~180°  
PEELING STRENGTH: 0.1~0.7N  
(300mm/min.)

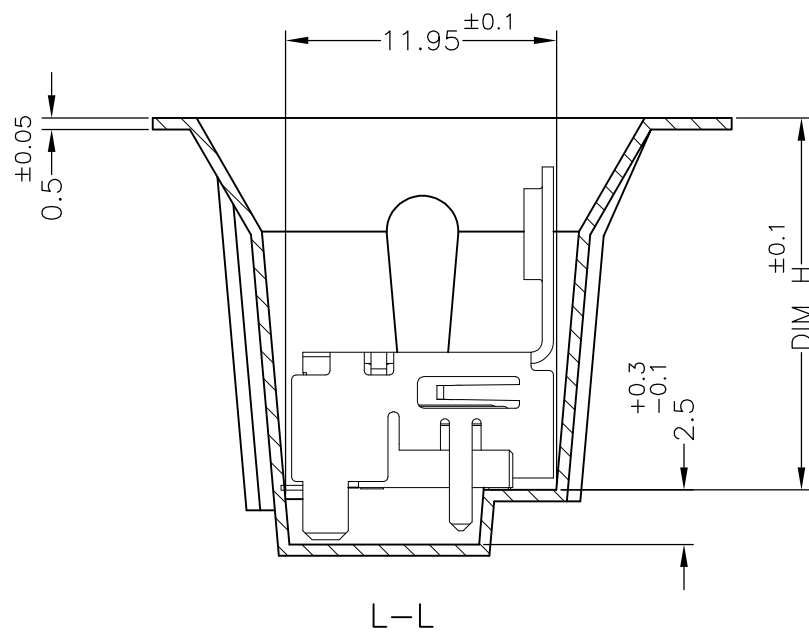


LABEL DESCRIPTION

TE P/N: \*-2069486-\*  
QTY: 170 pcs  
D/C:  
MADE IN CHINA



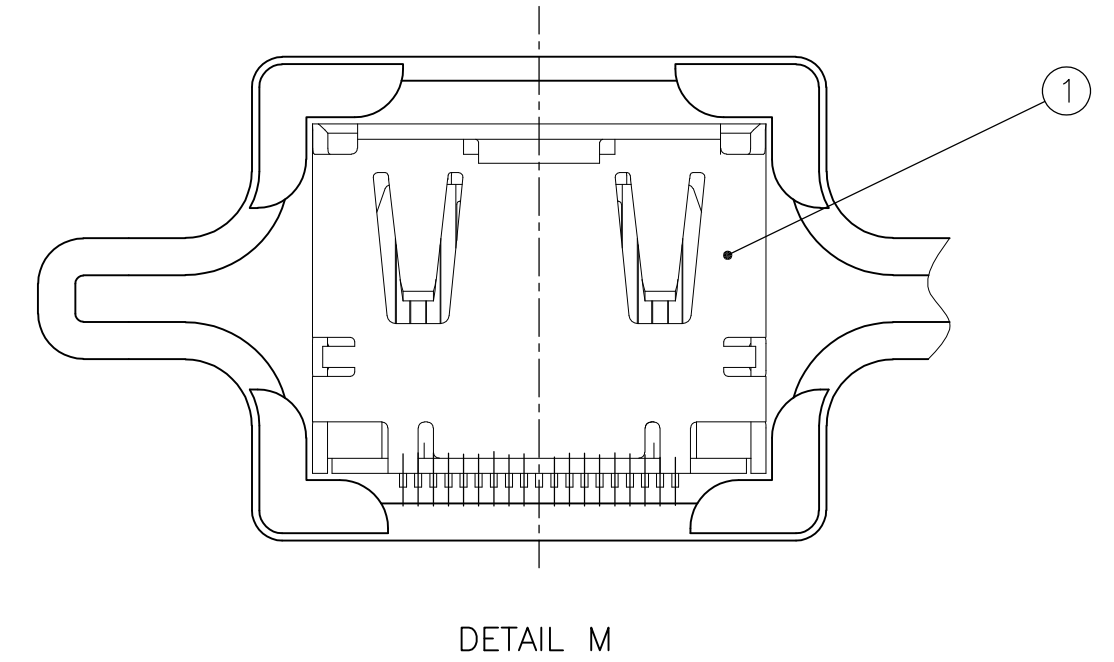
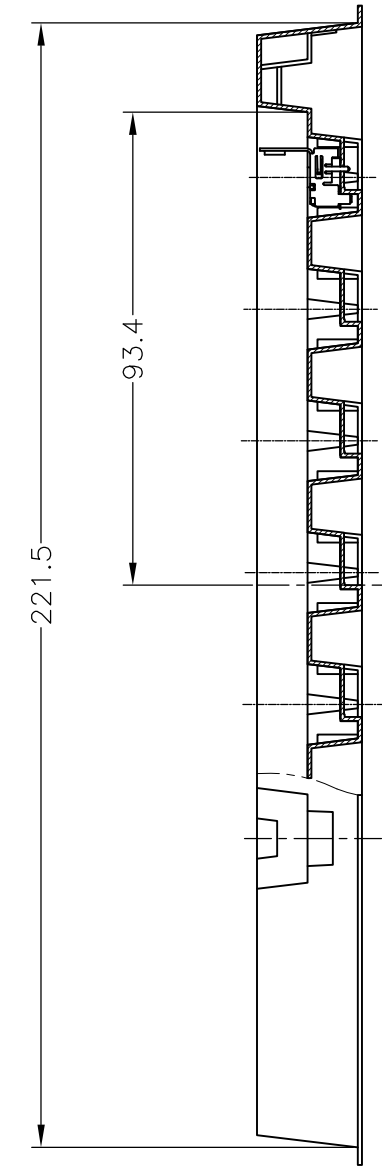
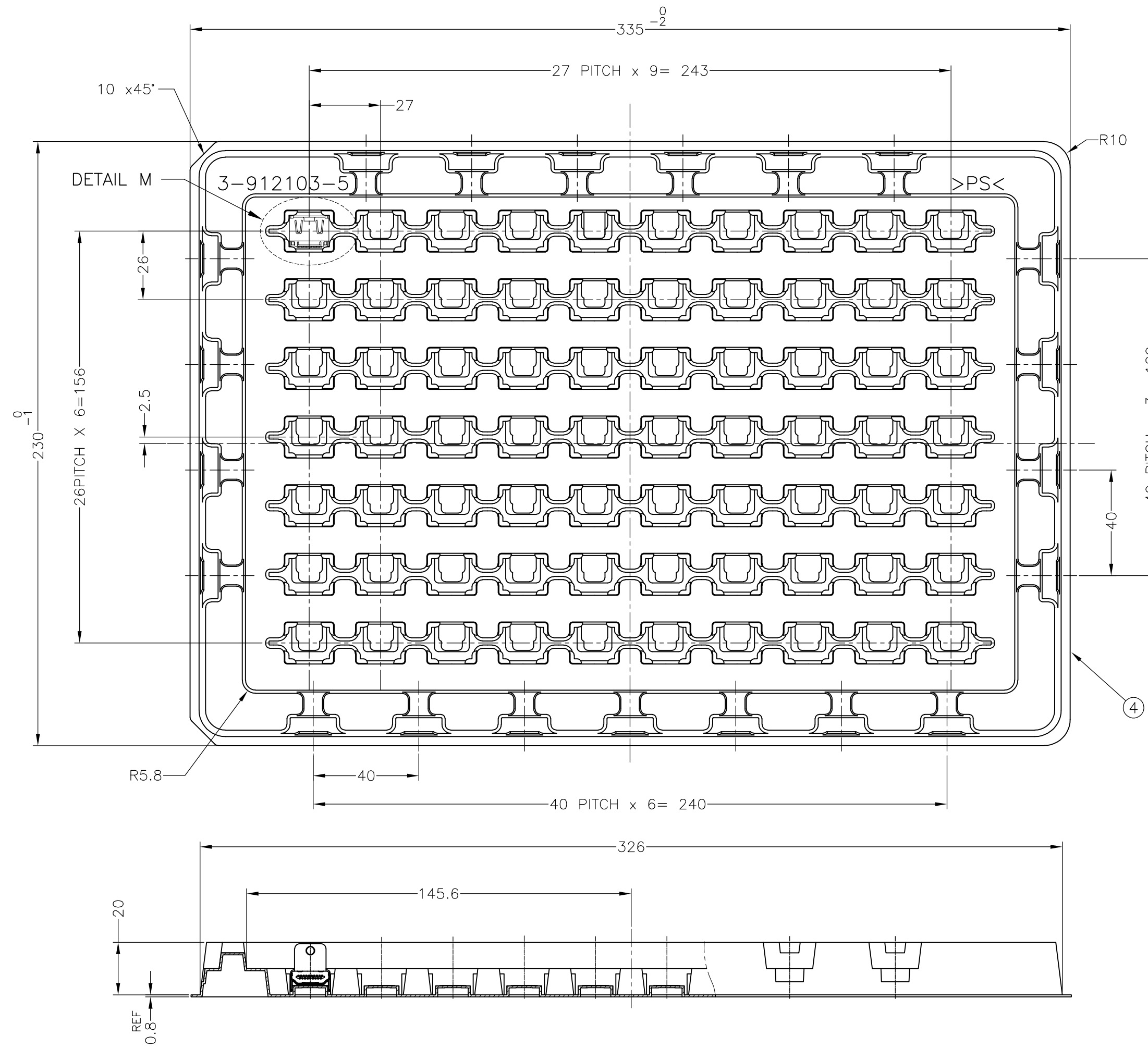
DETAIL K



L-L

170	972366-5	1-912125-8	WITH FLANGE TYPE P/N 1-2069155-2	1-2069486-3
QTY	COVER TAPE ③	EMBOSS TAPE ②	CONNECTOR PART NUMBER ①	PART NUMBER
THIS DRAWING IS A CONTROLLED DOCUMENT.			DWN Y.HARADA 09MAY2008	TE Connectivity
DIMENSIONS: MM			CHK C.OHASHI 08MAY2008	
TOLERANCES UNLESS OTHERWISE SPECIFIED:			APVD Y.NAKAZAWA 08MAY2008	
0 PLC ± 0.2 1 PLC ± 0.2 2 PLC ± 0.2 3 PLC ± 0.2 4 PLC ± 0.2 ANGLES ± 2			NAME	EMBOSS PACKAGE AND TRAY PACKAGE HDMI RECEPTACLE SMT
MATERIAL			FINISH	SIZE A2
WEIGHT			APPLICATION SPEC	CAGE CODE 00779
CUSTOMER DRAWING			PRODUCT SPEC	DRAWING NO C=2069486
SCALE NTS			RESTRICTED TO	SHEET 3 of 4
REV A				

1-2069486-1, 1-2069486-2, 2-2069486-1; AS SHOWN



70	8-912129-8	WITH FLANGE TYPE P/N 1-2069155-1	2-2069486-1
	3-912103-5	WITH FLANGE TYPE P/N 1-2069155-3	1-2069486-2
	3-912103-5	WITH FLANGE TYPE P/N 1-2069155-2	1-2069486-1
QTY	SOFT TRAY (4)	CONNECTOR PART NUMBER (1)	PART NUMBER

THIS DRAWING IS A CONTROLLED DOCUMENT.

DWN Y.HARADA 09MAY2008	TE Connectivity		
CHK C.OHASHI 08MAY2008			
APVD Y.NAKAZAWA 08MAY2008			
DIMENSIONS: MM TOLERANCES UNLESS OTHERWISE SPECIFIED: 0 PLC ± 0.2 1 PLC ± 0.2 2 PLC ± 0.2 3 PLC ± 0.2 4 PLC ± 0.2 ANGLES ± 2			
MATERIAL: FINISH:			
APPLICATION SPEC:			
WEIGHT:			
SIZE A2	CAGE CODE 00779	DRAWING NO C=2069486	RESTRICTED TO
CUSTOMER DRAWING		SCALE NTS	SHEET 4 of 4
		REV A	

# Mouser Electronics

Authorized Distributor

Click to View Pricing, Inventory, Delivery & Lifecycle Information:

[TE Connectivity:](#)

[1-2069486-3](#)