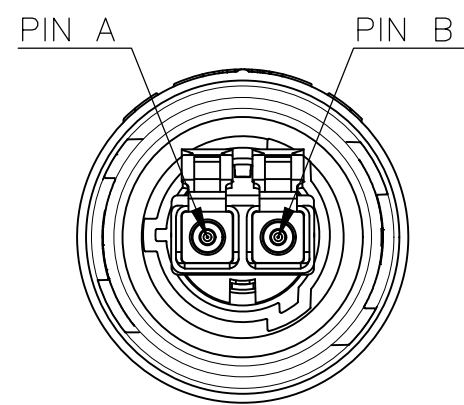
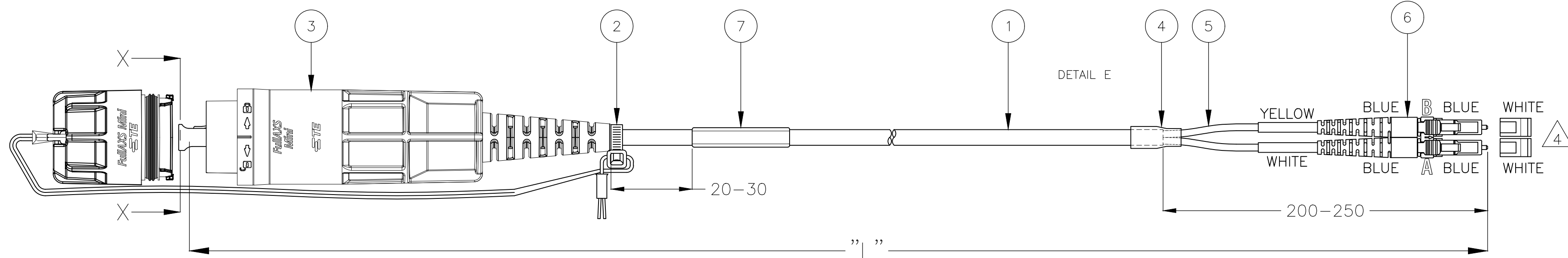


THIS DRAWING IS UNPUBLISHED. RELEASED FOR PUBLICATION
 © COPYRIGHT - By - ALL RIGHTS RESERVED.

REVISIONS				
P	LTR	DESCRIPTION	DATE	APVD
B		ECR-17-011351	05JUN2018	BW RS



VIEW X-X
(LC DUST COVERS NOT SHOWN)

FULLAXS MINI	LC CONN.
PIN A	B
PIN B	A

NOTES:

- 1 MAXIMUM CONNECTOR INSERTION LOSS IS 0.3 dB, MEASURED AT 1310nm AND 1550 nm ACCORDING TO IEC 61300-3-4 INSERTION METHOD BB
- 2 MIN. RETURN LOSS 45 dB, IN MATED CONDITION AT 1310 nm AND 1550 nm
- 3 CABLE INFORMATION
 - CORE DIAMETER: 9/125 um (2X)
 - OUTER JACKET DIAMETER: 4.8 mm
 - OUTER JACKET COLOR: BLACK
 - OUTER JACKET MATERIAL: LSZH
 - CABLE ATTENUATION: 0.4 dB/km @ 1310 nm OR 0.25 dB/km @ 1550 nm

STANDARD LENGTHS ACCORDING TO PRODUCT DRAWING 1206850

PART NUMBER	"L" (meter)
X-2061980-Y	XY.0
2061980-1	1.0±0.05
2061980-2	2.0±0.05
2061980-3	3.0±0.05
2061980-5	5.0±0.05
1-2061980-0	10.0±0.1
2-2061980-0	20.0±0.2
3-2061980-0	30.0±0.3
5-2061980-0	50.0 -0/+1.0
7-2061980-0	70.0 -0/+1.0
9-2061980-9	100.0 -0/+3.0
9-2061980-8	150.0 -0/+3.0
9-2061980-7	200.0 -0/+3.0
9-2061980-6	250.0 -0/+3.0
9-2061980-5	300.0 -0/+3.0
9-2061980-4	350.0 -0/+3.0
9-2061980-3	400.0 -0/+3.0
9-2061980-2	450.0 -0/+3.0
9-2061980-1	500.0 -0/+3.0

1	TRACE LABEL	7
1	LC DUPLEX CONNECTOR, SM, BLUE	6
1	PROTECTIVE TUBING	5
1	HEAT SHRINK TUBING, BLACK	4
1	FULLAXS MINI LC DUPLEX PLUG ASSEMBLY, SM	3
1	FULLAXS MINI STOPER, CABLE TIE	2
1	FOCAB Ø4.8 2F GLARO, G657A2, BLACK	1
Qty	Description	Item

THIS DRAWING IS A CONTROLLED DOCUMENT.		DWN R. COOLEN	10DEC2014		
DIMENSIONS: mm		CHK			
TOLERANCES UNLESS OTHERWISE SPECIFIED:		APVD		NAME	
0 PLC ± -		PRODUCT SPEC		FOSM GLARO LEAD 4.8	
1 PLC ± -		APPLICATION SPEC		FULLAXS MINI LC/DPX - LC/DPX	
2 PLC ± -				SIZE	CAGE CODE
3 PLC ± -				A2	00779
4 PLC ± -				DRAWING NO	RESTRICTED TO
ANGLES ± -		WEIGHT	0	C=2061980	
FINISH		CUSTOMER DRAWING		SCALE	SHEET
				NTS	1 of 1
				REV	B

Mouser Electronics

Authorized Distributor

Click to View Pricing, Inventory, Delivery & Lifecycle Information:

[TE Connectivity:](#)

[5-2061980-0](#)