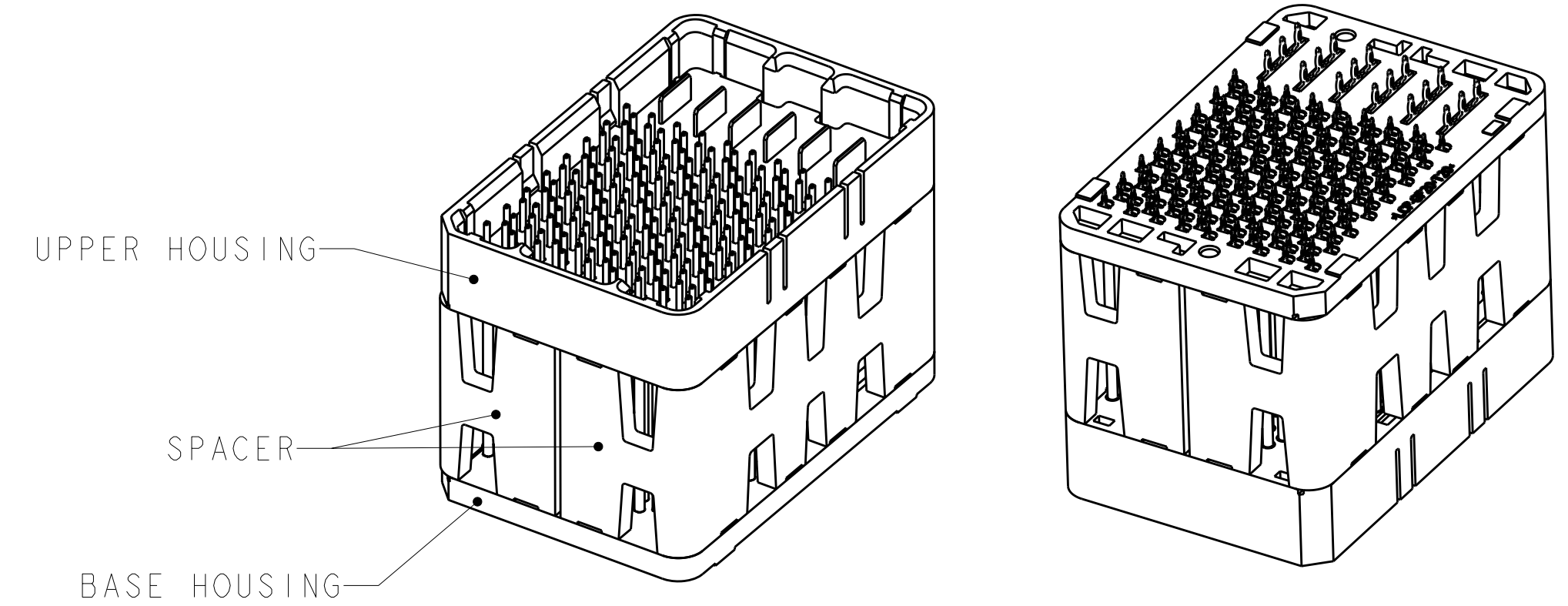
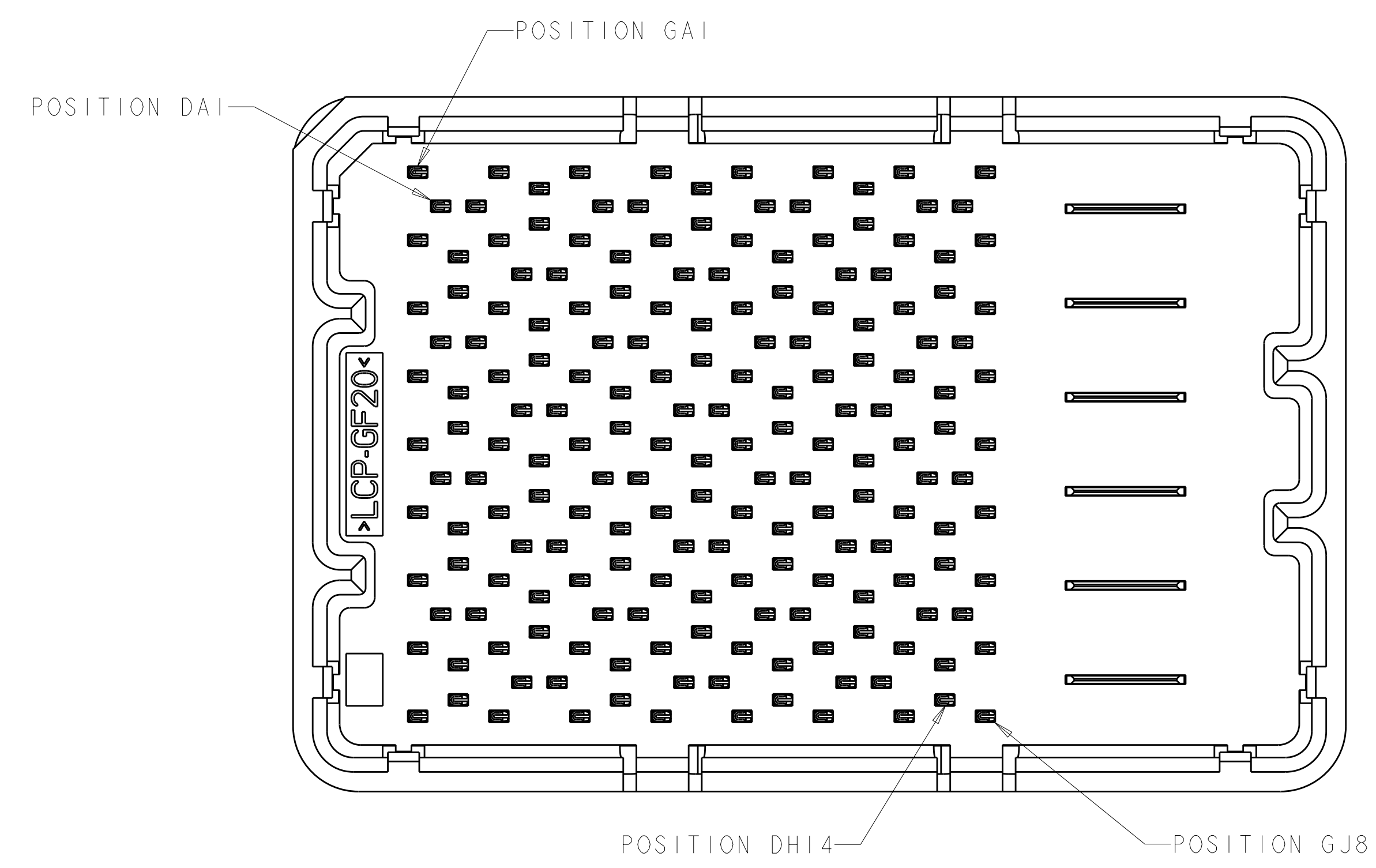
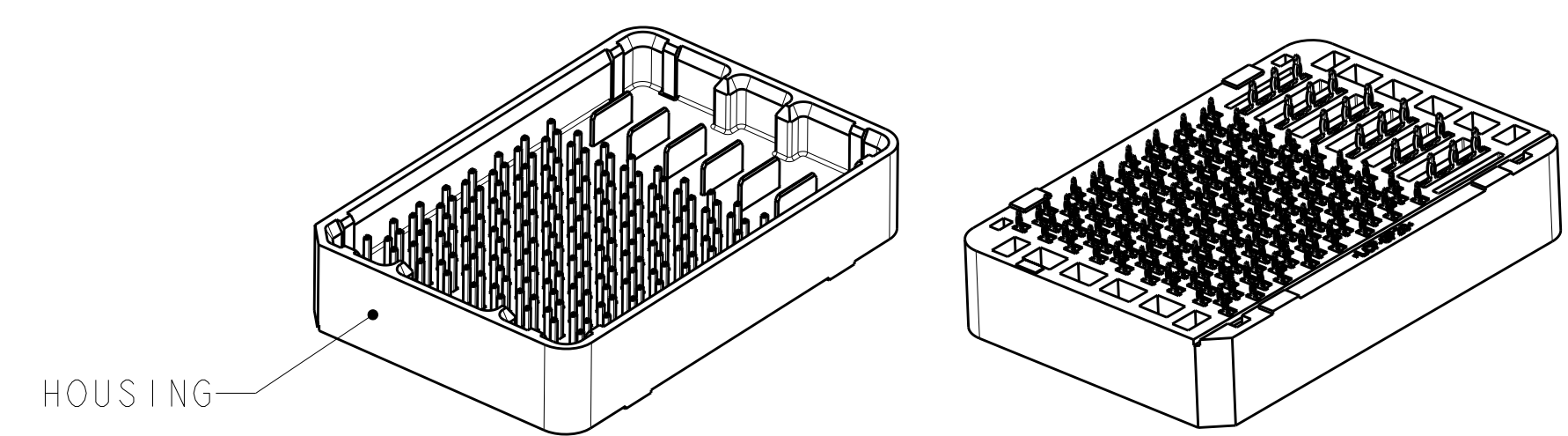


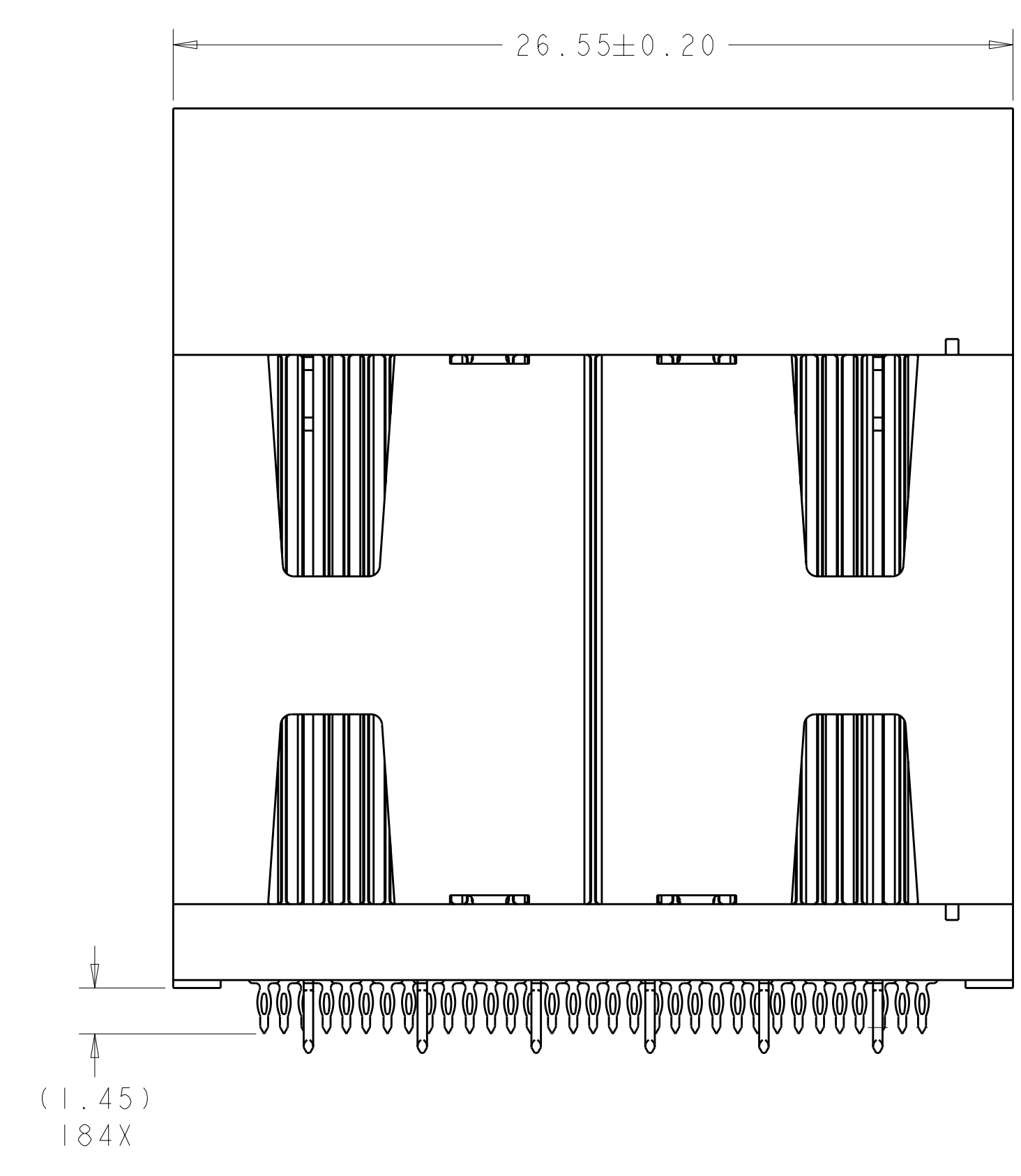
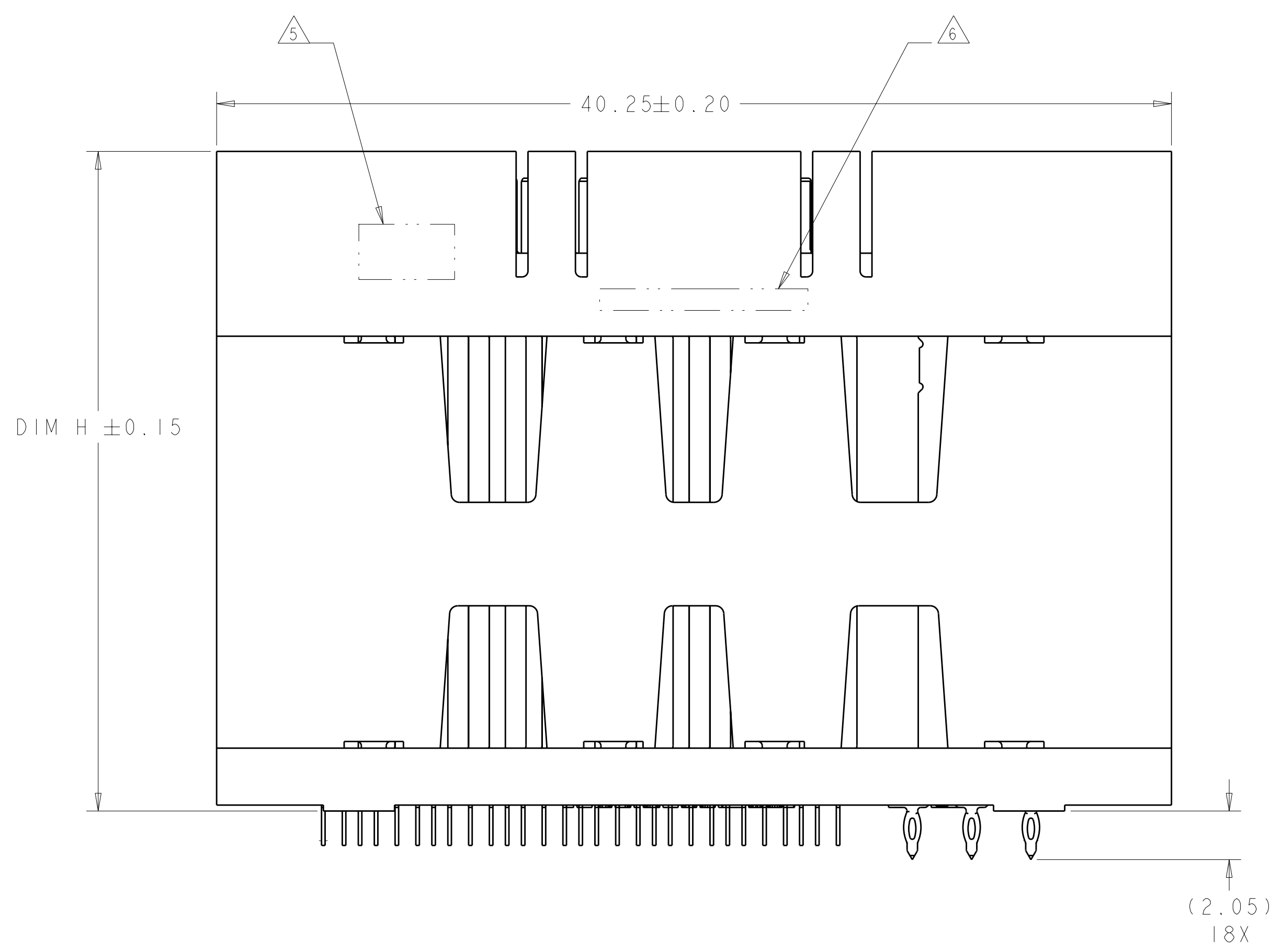
LOC	DIST	REV	DATE	BY	CHK	APPV
GP	00	11	07DEC2010	WS	MH	
		12	01MAY2012	REH	DT	



ISOMETRIC VIEW
TYPICAL CONFIGURATION FOR 14mm THRU 42mm
28mm SHOWN
SCALE 2:1



ISOMETRIC VIEW
TYPICAL CONFIGURATION FOR 8mm THRU 13mm
8mm SHOWN
SCALE 2:1



- △ MATERIAL:
BASE HOUSING, UPPER HOUSING, ORGANIZER,
AND SPACER: THERMOPLASTIC, FLAMMABILITY
RATING UL94-V0
CONTACT: COPPER ALLOY
- 2. CONFORMS TO THE REQUIREMENTS OF TE PRODUCT
SPECIFICATION, 108-2375; BASED ON TELCORDIA
GR-1217-CORE FOR SYSTEM QUALITY LEVEL III,
APPLICATIONS IN CONTROLLED ENVIRONMENTS
(CENTRAL OFFICE).
SEE TE PRODUCT SPECIFICATION 108-2375 FOR
TEST SEQUENCES.
- △ ROWS GA THRU GJ (SHOWN DARKENED) ARE TYPICALLY
USED AS GROUNDS.
- △ SPECIFIED POSITIONAL TOLERANCE DEFINES HOLE TO
HOLE LOCATION WITHIN HOLE PATTERN. POSITIONAL
TOLERANCE OF HOLE PATTERN TO FIDUCIAL MARKS
OR PCB DATUMS SHALL BE DEFINED BY CUSTOMER.
- △ AREA RESERVED FOR TE CONNECTIVITY LOGO.
- △ AREA RESERVED FOR PART NUMBER (X-XXXXXX-X)
AND DATE CODE (YYWW).
- △ USE CENTERLINES INDICATED ON PCB HOLE PATTERN
TO ESTABLISH ALIGNMENT BETWEEN HEADER AND
RECEPTACLE BOARDS.
- △ PLATED THROUGH HOLE REQUIREMENTS - SIGNAL:
HOLE SIZE PRIOR TO PLATING = $\varnothing 0.420 \pm 0.013$
COPPER PLATING THICKNESS = 0.038 ± 0.013
CALCULATED FINISHED HOLE SIZE = $\varnothing 0.344 \pm 0.039$
THESE DIMENSIONS APPLY TO THE TOP 1.25mm OF
THE PCB THICKNESS FROM THE CONNECTOR MOUNTING
SIDE.
- △ PLATED THROUGH HOLE REQUIREMENTS - POWER:
HOLE SIZE PRIOR TO PLATING = $\varnothing 0.700 \pm 0.025$
COPPER PLATING THICKNESS = 0.038 ± 0.013
CALCULATED FINISHED HOLE SIZE = $\varnothing 0.624 \pm 0.051$
THESE DIMENSIONS APPLY TO THE TOP 1.50mm OF
THE PCB THICKNESS FROM THE CONNECTOR MOUNTING
SIDE.
- △ CONTACT SALES FOR AVAILABILITY OF THIS STACK
HEIGHT.

SIZE 2 HOUSING *
56 DIFFERENTIAL PAIRS
184 TOTAL SIGNAL CONTACTS
6 POWER CONTACTS

* SIZE 1 AND SIZE 3 ARE ALSO AVAILABLE

THIS PRODUCT HAS NOT
COMPLETED VALIDATION AND
QUALIFICATION TESTING

THIS DRAWING IS A CONTROLLED DOCUMENT.		OWN D. RINGLER 04SEP2008	STC TE Connectivity	
DIMENSIONS: mm		CHK D. TROUT 04SEP2008	NAME HEADER ASSEMBLY 56/184/6P	
TOLERANCES UNLESS OTHERWISE SPECIFIED:		APPV J. FEDDER 04SEP2008	PRODUCT SPEC 108-2375	
9 PLC ±		APPLICATION SPEC 114-13249	STRADA MESA MEZZANINE CONNECTOR	
3 PLC ±0.13		SIZE A1100779	CAGE CODE C=2057460	
5 PLC ±0.013		WEIGHT	SCALE 6:1 SHEET 1 OF 4 REV 12	
4 PLC ±		CUSTOMER DRAWING		
ANGLES #1				
FINISH				

THIS DRAWING IS UNPUBLISHED. RELEASED FOR PUBLICATION
 BY: ALL RIGHTS RESERVED.

LOC	DIST	REV	DATE	BY	APPD
GP	00				

	41.8	42mm	MATTE Sn	9-2057460-2
	40.8	41mm	MATTE Sn	9-2057460-1
YES	39.8	40mm	MATTE Sn	9-2057460-0
	38.8	39mm	MATTE Sn	8-2057460-9
	37.8	38mm	MATTE Sn	8-2057460-8
	36.8	37mm	MATTE Sn	8-2057460-7
	35.8	36mm	MATTE Sn	8-2057460-6
	34.8	35mm	MATTE Sn	8-2057460-5
	33.8	34mm	MATTE Sn	8-2057460-4
	32.8	33mm	MATTE Sn	8-2057460-3
	31.8	32mm	MATTE Sn	8-2057460-2
	30.8	31mm	MATTE Sn	8-2057460-1
	29.8	30mm	MATTE Sn	8-2057460-0
	28.8	29mm	MATTE Sn	7-2057460-9
YES	27.8	28mm	MATTE Sn	7-2057460-8
	26.8	27mm	MATTE Sn	7-2057460-7
	25.8	26mm	MATTE Sn	7-2057460-6
	24.8	25mm	MATTE Sn	7-2057460-5
	23.8	24mm	MATTE Sn	7-2057460-4
YES	22.8	23mm	MATTE Sn	7-2057460-3
	21.8	22mm	MATTE Sn	7-2057460-2
	20.8	21mm	MATTE Sn	7-2057460-1
	19.8	20mm	MATTE Sn	7-2057460-0
	18.8	19mm	MATTE Sn	6-2057460-9
	17.8	18mm	MATTE Sn	6-2057460-8
	16.8	17mm	MATTE Sn	6-2057460-7
	15.8	16mm	MATTE Sn	6-2057460-6
	14.8	15mm	MATTE Sn	6-2057460-5
	13.8	14mm	MATTE Sn	6-2057460-4
	12.8	13mm	MATTE Sn	6-2057460-3
	11.8	12mm	MATTE Sn	6-2057460-2
	10.8	11mm	MATTE Sn	6-2057460-1
YES	9.8	10mm	MATTE Sn	6-2057460-0
YES	8.8	9mm	MATTE Sn	5-2057460-9
YES	7.8	8mm	MATTE Sn	5-2057460-8
TOOLED	DIM H	STACK HEIGHT	CONTACT TAIL PLATING	PART NUMBER

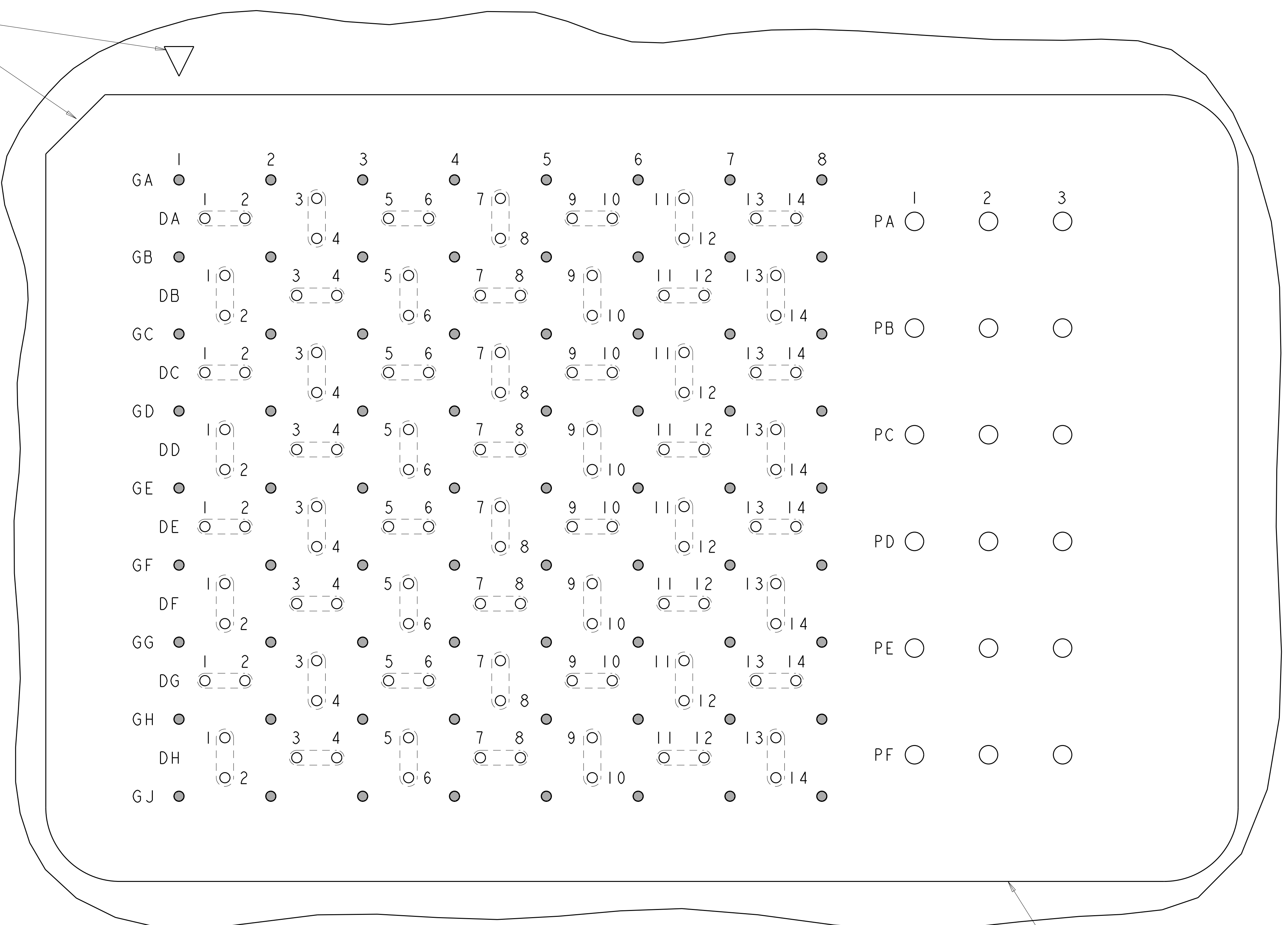
	41.8	42mm	Sn/Pb	4-2057460-2
	40.8	41mm	Sn/Pb	4-2057460-1
YES	39.8	40mm	Sn/Pb	4-2057460-0
	38.8	39mm	Sn/Pb	3-2057460-9
	37.8	38mm	Sn/Pb	3-2057460-8
	36.8	37mm	Sn/Pb	3-2057460-7
	35.8	36mm	Sn/Pb	3-2057460-6
	34.8	35mm	Sn/Pb	3-2057460-5
	33.8	34mm	Sn/Pb	3-2057460-4
	32.8	33mm	Sn/Pb	3-2057460-3
	31.8	32mm	Sn/Pb	3-2057460-2
	30.8	31mm	Sn/Pb	3-2057460-1
	29.8	30mm	Sn/Pb	3-2057460-0
	28.8	29mm	Sn/Pb	2-2057460-9
YES	27.8	28mm	Sn/Pb	2-2057460-8
	26.8	27mm	Sn/Pb	2-2057460-7
	25.8	26mm	Sn/Pb	2-2057460-6
	24.8	25mm	Sn/Pb	2-2057460-5
	23.8	24mm	Sn/Pb	2-2057460-4
YES	22.8	23mm	Sn/Pb	2-2057460-3
	21.8	22mm	Sn/Pb	2-2057460-2
	20.8	21mm	Sn/Pb	2-2057460-1
	19.8	20mm	Sn/Pb	2-2057460-0
	18.8	19mm	Sn/Pb	1-2057460-9
	17.8	18mm	Sn/Pb	1-2057460-8
	16.8	17mm	Sn/Pb	1-2057460-7
	15.8	16mm	Sn/Pb	1-2057460-6
	14.8	15mm	Sn/Pb	1-2057460-5
	13.8	14mm	Sn/Pb	1-2057460-4
	12.8	13mm	Sn/Pb	1-2057460-3
	11.8	12mm	Sn/Pb	1-2057460-2
	10.8	11mm	Sn/Pb	1-2057460-1
YES	9.8	10mm	Sn/Pb	1-2057340-0
YES	8.8	9mm	Sn/Pb	2057460-9
YES	7.8	8mm	Sn/Pb	2057460-8
TOOLED	DIM H	STACK HEIGHT	CONTACT TAIL PLATING	PART NUMBER

THIS DRAWING IS A CONTROLLED DOCUMENT.


DIMENSIONS: mm	TOLERANCES UNLESS OTHERWISE SPECIFIED:	DWN: D. RINGLER 04SEP2008	CHK: D. TROUT 04SEP2008	APVD: J. FEDDER 04SEP2008	NAME: STE TE Connectivity
	0 PLC ± 1 PLC ±0.13 3 PLC ±0.013 4 PLC ± ANGLES ±#1	PRODUCT SPEC	APPLICATION SPEC	108-2375	HEADER ASSEMBLY 56/184/6P
MATERIAL: -	FINISH: -	114-13249	114-13249	A100779C=2057460	STRADA MESA MEZZANINE CONNECTOR
		WEIGHT: -	CUSTOMER DRAWING	SCALE: 6:1	SHEET 2 OF 4


LOC	DIST	REVISIONS					
GP	00	P	LTR	DESCRIPTION	DATE	DWN	APVD
				SEE SHEET 1			

A1 CORNER INDICATORS.



MATED CONNECTOR OUTLINE
 SEE SHEET 4 FOR LOCATION TO HOLES

PCB LAYOUT AND PIN IDENTIFICATION 
 SHOWN FROM CONNECTOR SIDE
 SCALE 12:1

THIS DRAWING IS A CONTROLLED DOCUMENT.		DWN D. RINGLER 04SEP2008	 TE Connectivity
DIMENSIONS: mm		CHK D. TROUT 04SEP2008	
TOLERANCES UNLESS OTHERWISE SPECIFIED: 9 PLC ± 2 PLC ±0.13 5 PLC ±0.013 4 PLC ± ANGLES ±#1		APVD J. FEDDER 04SEP2008	NAME HEADER ASSEMBLY 56/184/6P STRADA MESA MEZZANINE CONNECTOR
MATERIAL		PRODUCT SPEC 108-2375	SIZE CAGE CODE DRAWING NO A100779C=2057460
FINISH		APPLICATION SPEC 114-13249	RESTRICTED TO
		WEIGHT	CUSTOMER DRAWING
		SCALE 6:1	SHEET 3 OF 4 REV 12

Mouser Electronics

Authorized Distributor

Click to View Pricing, Inventory, Delivery & Lifecycle Information:

[TE Connectivity:](#)

[2-2057460-8](#)