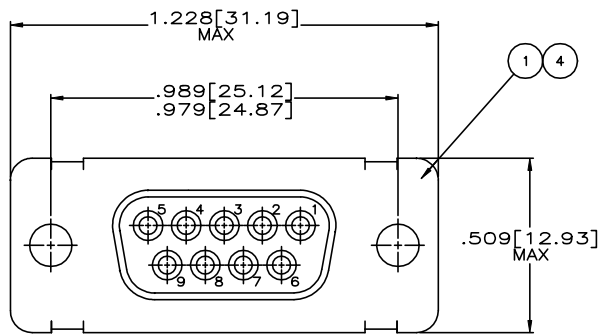
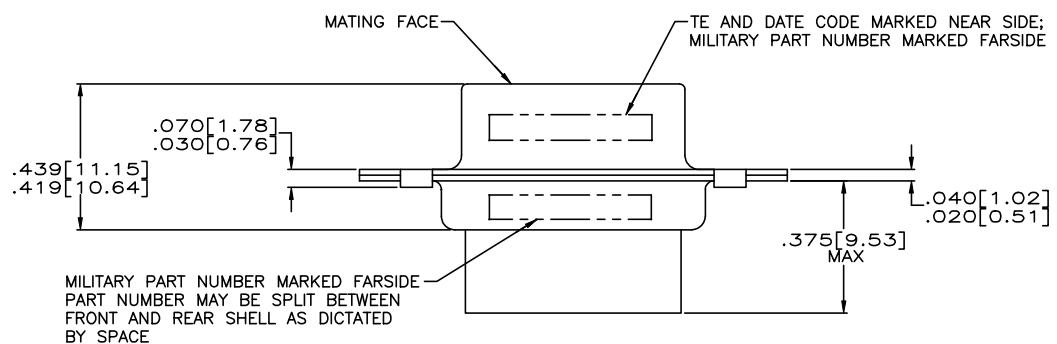


THIS DRAWING IS UNPUBLISHED. RELEASED FOR PUBLICATION. ALL RIGHTS RESERVED.

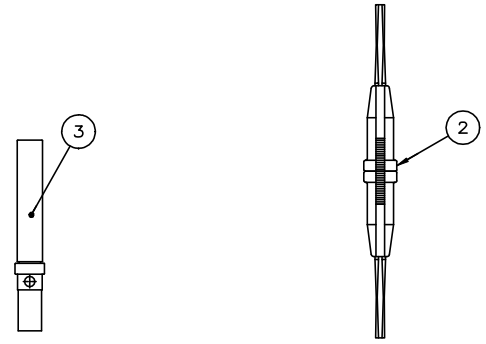
REVISIONS					
P	LYR	DESCRIPTION	DATE	DM	APVD
K		REVISED PER ECO-19-005772	5-28-19	CT	DM



- ⚠ SUPERSEDED BY 205161-1 AND 91067-2.
- ⚠ SUPERSEDED BY 207253-2 AND (9) 206793-1.
- ⚠ OBSOLETE.
- ⚠ FOR CONNECTOR ASSEMBLIES WITHOUT CONTACTS, TE PART NO 205090-1 MUST BE ORDERED SEPARATELY. CONNECTORS WITH CONTACTS ARE SUPPLIED WITH CONTACTS 205090-1



MILITARY PART NUMBER MARKED FAR SIDE
PART NUMBER MAY BE SPLIT BETWEEN
FRONT AND REAR SHELL AS DICTATED
BY SPACE



⚠ 2	⚠ 3	91067-2	205090-1	M24308/6-6F	M24308/6-1F	205555-4	205555-5
		-	205090-1	M24308/6-1F	M24308/6-1F	205555-4	205555-4
		91067-2	205090-1	M24308/2-6F	M24308/2-1F	205555-2	205555-3
		-	205090-1	M24308/2-1F	M24308/2-1F	205555-2	205555-2
⚠ 1		91067-2	-	-	M24308/2-1F	205555-2	205555-1
REMARKS	INSERTION/EXTRACTION TOOL	⚠ CONTACT (QTY=9)	MILITARY P/N ON PACKAGE	MILITARY P/N ON CONNECTOR	PART NUMBER ON CONNECTOR	PART NO	

THIS DRAWING IS A CONTROLLED DOCUMENT. DM T. THOMPSON 11-03-94
DWK D. MANTIONE 01-16-95

TE TE Connectivity

NAME: KIT, HDM-20 SERIES, RECT, SIZE 1, 9 POSITION

APVD: D. MANTIONE 01-16-95

PRODUCT SPEC: -

APPLICATION SPEC: -

WEIGHT: 0.000000

SIZE: A2 CAGE CODE: 00779 DRAWING NO: 205555

MATERIAL: - FINISH: -

CUSTOMER DRAWING SCALE: 4:1 SHEET: 1 of 1 REV: K

Mouser Electronics

Authorized Distributor

Click to View Pricing, Inventory, Delivery & Lifecycle Information:

[TE Connectivity:](#)

[205555-3](#)