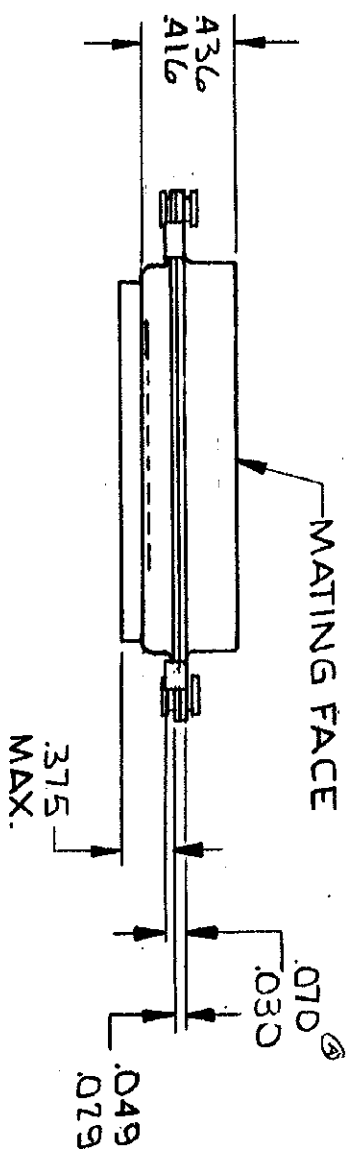
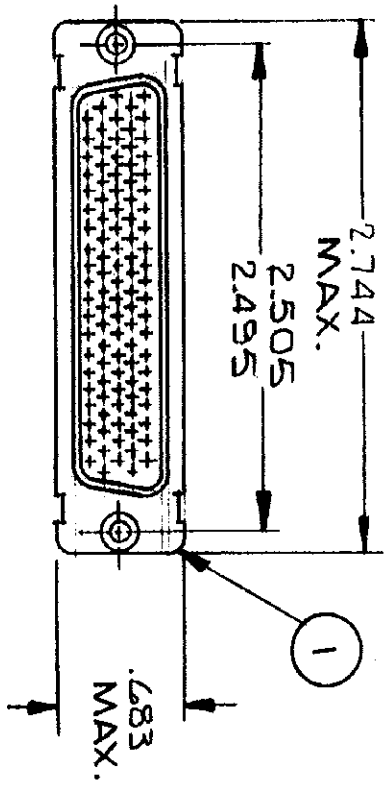


DRAWING MADE IN AMERICAN PROJECTION

© 1971 BY AMP INCORPORATED. ALL RIGHTS RESERVED. AMP PRODUCTS COVERED BY PATENTS AND/OR PATENTS PENDING.

Unpublished copy not to be reproduced without written permission of AMP Incorporated



APPROPRIATE AMP P/N(KIT) IS STAMPED ON PACKAGE

REVISIONS				
ZONE	LTR	DESCRIPTION	DATE	APPROVED
A		REV. PER ECN 8-948	5/14/73	[Signature]
B		ITEM 2 WAS S1054-1 ECN C-878	3/19/74	[Signature]
C		REV PER ECN DF-0021 & R2670	1-13-80	EAM

SUPSD BY 204547-2 9/9/67-1

QTY	DESCRIPTION	UNIT	ITEM NO.
1	CONTACT, PIN, SIZE *22D	B	204370-2
1	INSERTION/ EXTRACTION TOOL	B	91067-1
1	PLUG ASS'Y, SIZE *G	C	204535-1

UNLESS OTHERWISE SPECIFIED DIMENSIONS ARE IN INCHES TOLERANCES ON DECIMALS ± .015 ANGLES #

MATERIAL #

CONTRACT NO. #

DR. P. J. MATTIOLI 7-14-71

APP'D. P. J. MATTIOLI 7-12-71

REC'D. J. H. WILSON 7/20/71

DSGN APP'D. #

OTHER APP'D. #

NAME: AMP HARRISBURG, PENNSYLVANIA

KIT "HDD" SERIES, PLUG, SIZE *G WITH FLOATING BUSHINGS

SIZE: B

CODE IDENT NO.: 00779

NUMBER: 204547

SCALE: #

SHEET 1 OF 1

Mouser Electronics

Authorized Distributor

Click to View Pricing, Inventory, Delivery & Lifecycle Information:

[TE Connectivity:](#)

[204547-2](#)