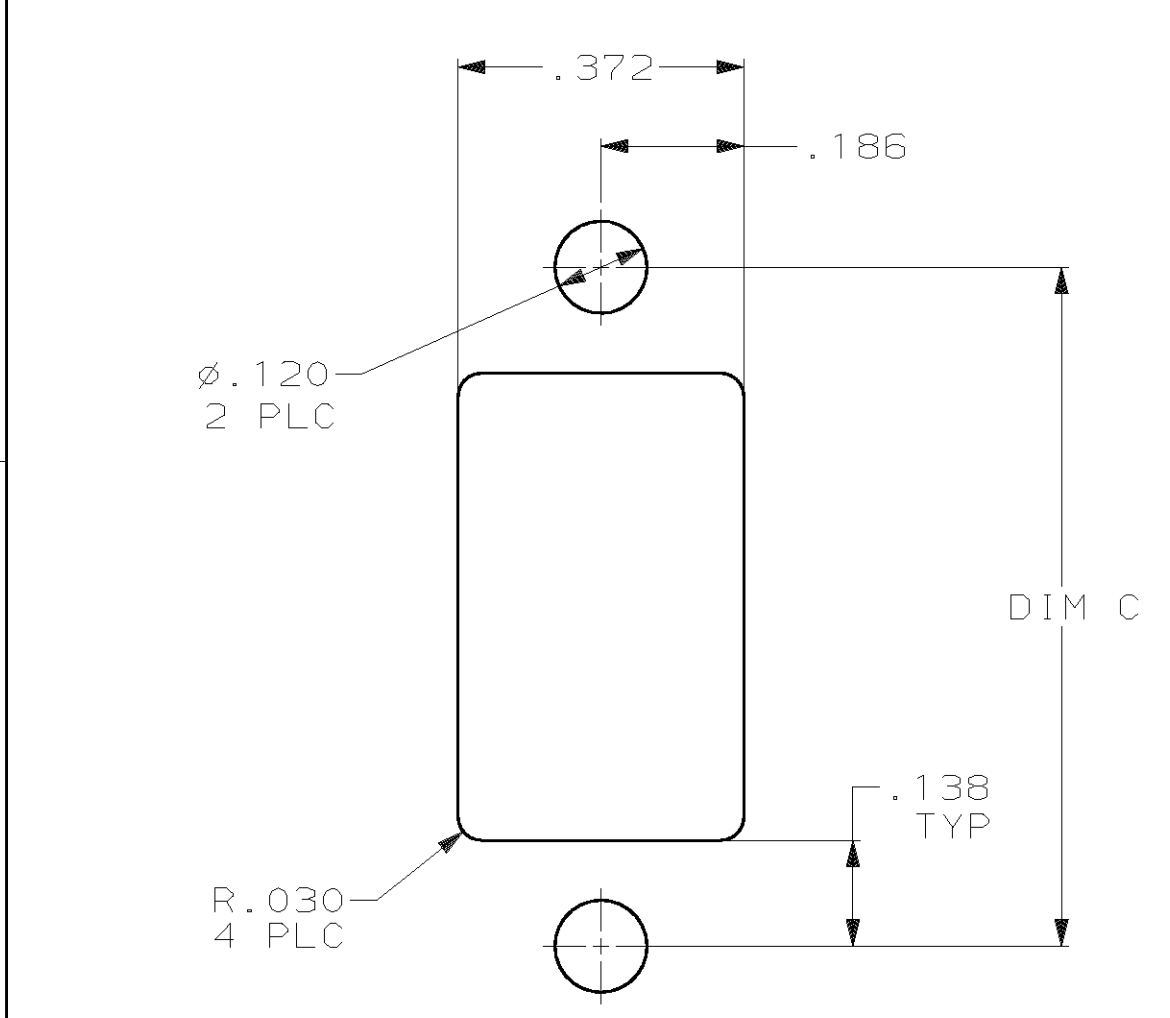
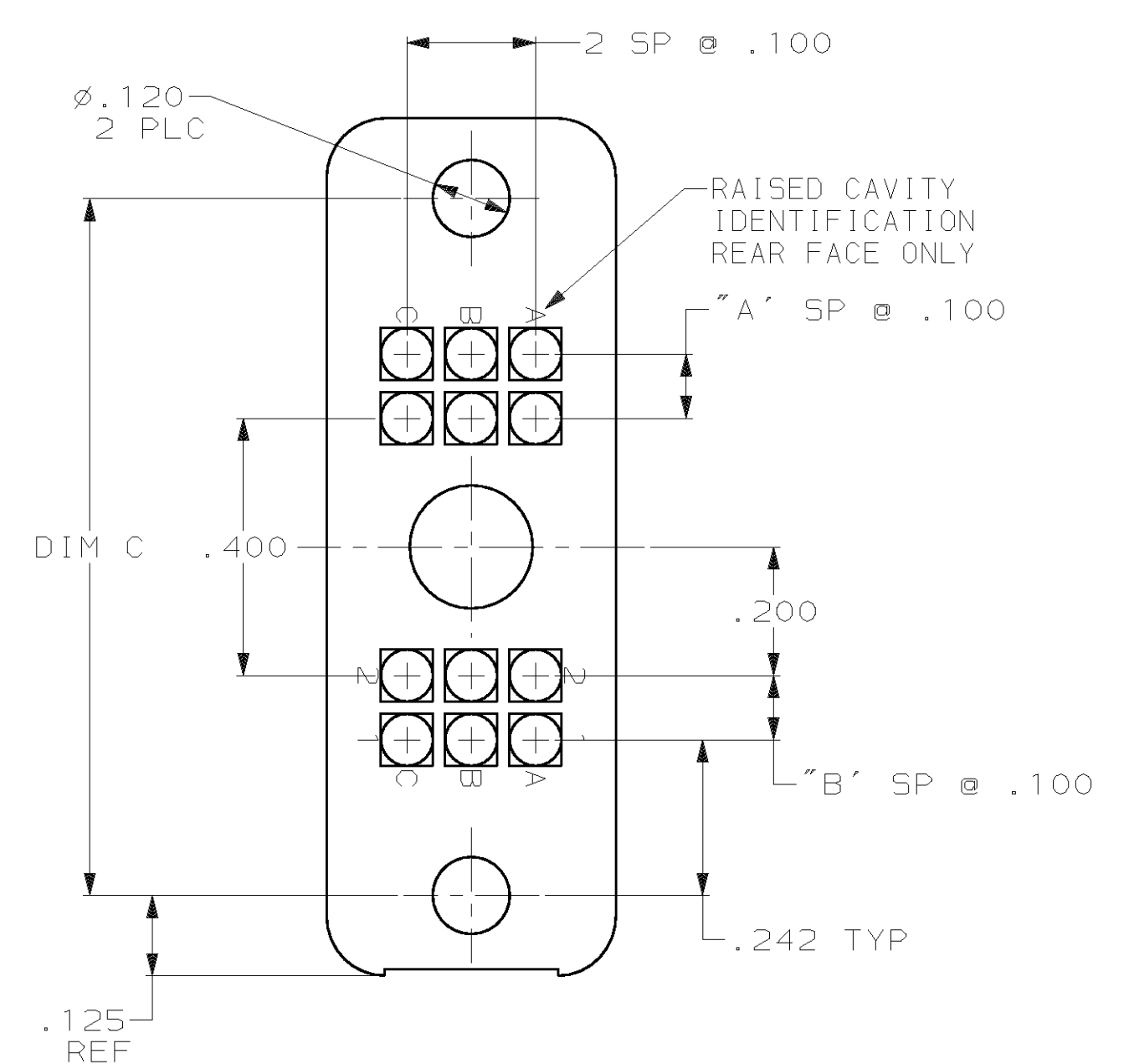
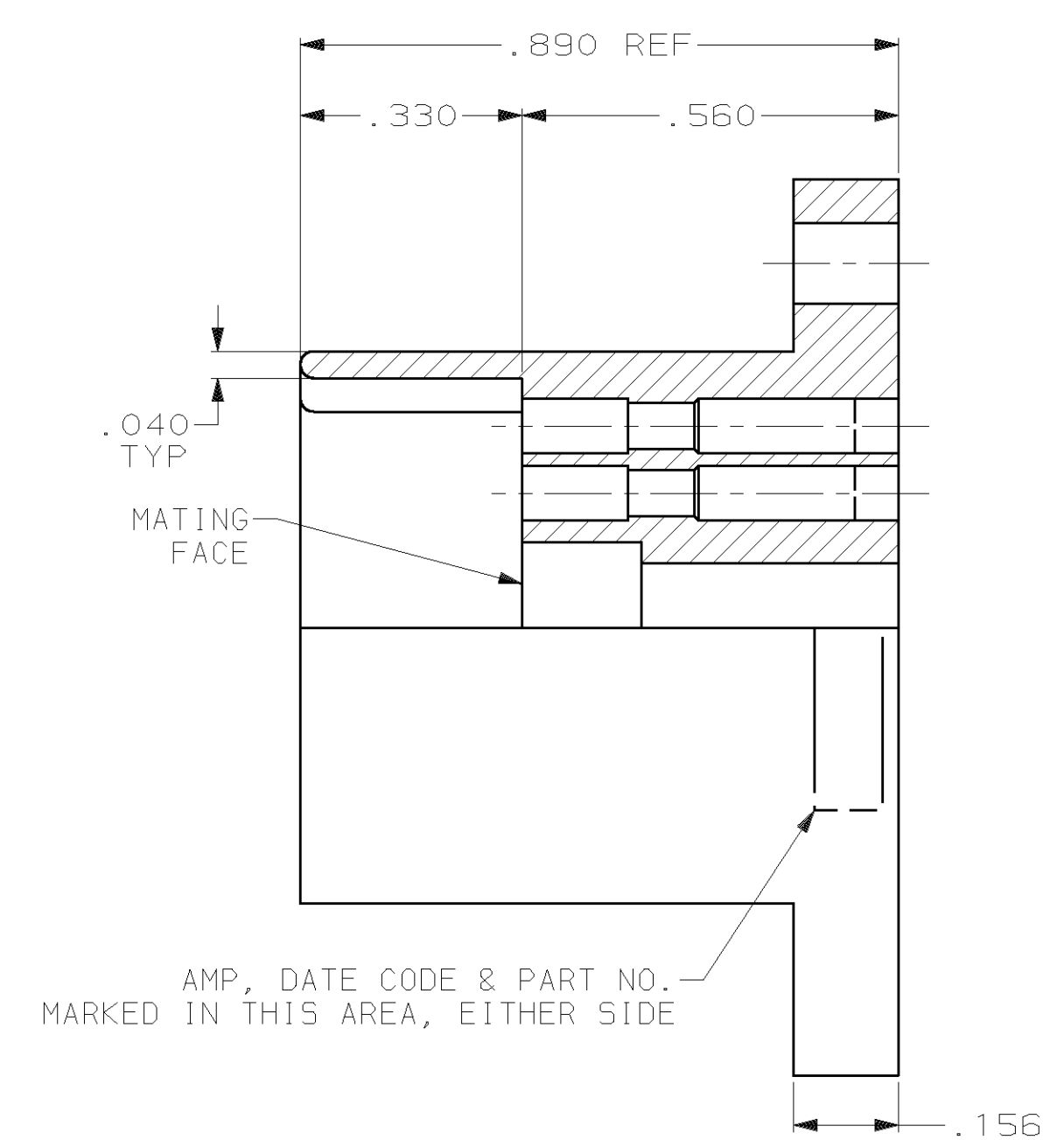
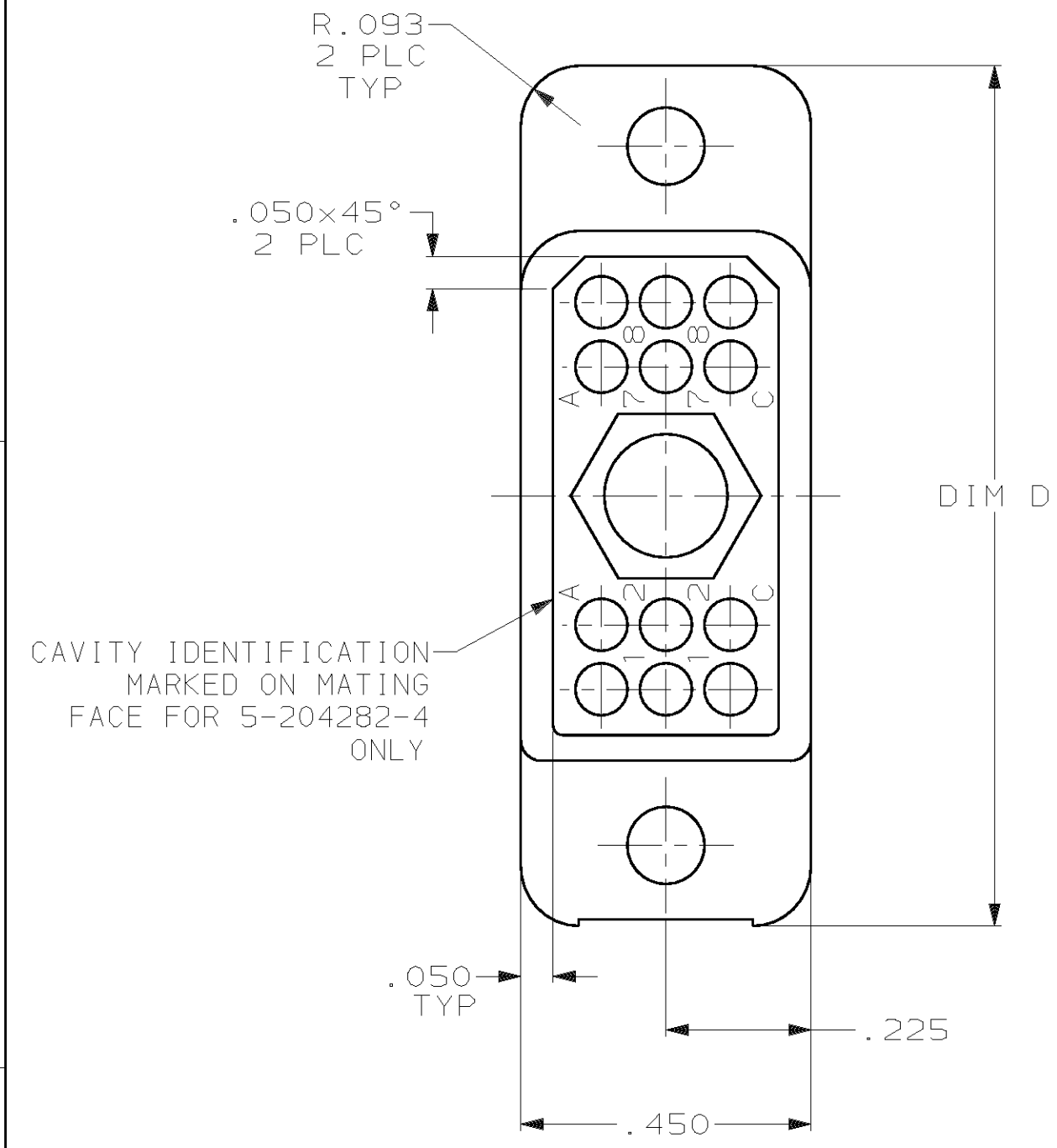


THIS DRAWING IS UNPUBLISHED. RELEASED FOR PUBLICATION .19
 (C) COPYRIGHT 19 BY AMP INCORPORATED. ALL RIGHTS RESERVED.

LOC	DIST	REVISIONS					
DF	CO	P	LTR	DESCRIPTION	DATE	DWN	APVD
		J		REV PER 063D-0276-01	7-02	CT	JM



OBSOLETE	1.734	1.484	3	3	4	24	5-204282-4
	2.534	2.284	7	7	4	48	2-204282-8
OBSOLETE	2.334	2.084	6	6	4	42	2-204282-7
	2.134	1.884	5	5	4	36	2-204282-6
OBSOLETE	1.934	1.684	4	4	4	30	2-204282-5
	1.734	1.484	3	3	4	24	2-204282-4
OBSOLETE	1.534	1.284	2	2	4	18	2-204282-3
	1.334	1.084	1	1	4	12	2-204282-2
OBSOLETE	1.134	.884	-	-	4	6	2-204282-1
	2.534	2.284	7	7	2	48	204282-8
OBSOLETE	2.334	2.084	6	6	2	42	204282-7
	2.134	1.884	5	5	2	36	204282-6
OBSOLETE	1.934	1.684	4	4	2	30	204282-5
	1.734	1.484	3	3	2	24	204282-4
OBSOLETE	1.534	1.284	2	2	2	18	204282-3
	1.334	1.084	1	1	2	12	204282-2
OBSOLETE	1.134	.884	-	-	2	6	204282-1
	DIM D	DIM C	"B" NUMBER OF SPACES	"A" NUMBER OF SPACES	MATERIAL	NO OF POSN.	PART NUMBER

- CONTACT CAVITY WILL ACCEPT BOTH TYPE XI PIN OR SOCKET AND TYPE XI AUTOWIRING PIN OR SOCKET.
- MATERIAL: BLACK PHENOLIC
- MATES WITH AMP PART NO. 204281.
- MATERIAL: BLUE DIALLYL PHTHALATE

THIS DRAWING IS A CONTROLLED DOCUMENT.

DWN	C.C. THOMAS	3-25-02
CHK	D. MILLER	3-25-02
APVD	D. MILLER	3-25-02

tyco TYCO Electronics
Harrisburg, PA 17105-3608

RECEPTACLE, HDR SERIES, FOR JACKSCREW, AUTOMATIC WIRING AND TYPE XI

SIZE	A2	CAGE CODE	00779	DRAWING NO	204282	RESTRICTED TO	-
WEIGHT	-	SCALE	4:1	SHEET	1 OF 1	REV	J

CUSTOMER DRAWING

Mouser Electronics

Authorized Distributor

Click to View Pricing, Inventory, Delivery & Lifecycle Information:

[TE Connectivity:](#)

[204282-6](#)