

RECOMMENDED PCB LAYOUT  
 RECOMMENDED PCB THICKNESS: 1.2mm  
 TOLERANCE: ±0.05 (TOP VIEW)

LED SCHEMATIC	
LED1	LED2
YELLOW	GREEN
9 10	11 12

OBSOLETE	1.27μm [50μ"]	-2041120-4-
	0.762μm [30μ"]	-2041120-3-
	0.381μm [15μ"]	-2041120-2-
	0.152μm [6μ"]	2041120-1
	MIN. GOLD THICKNESS	PART NUMBER

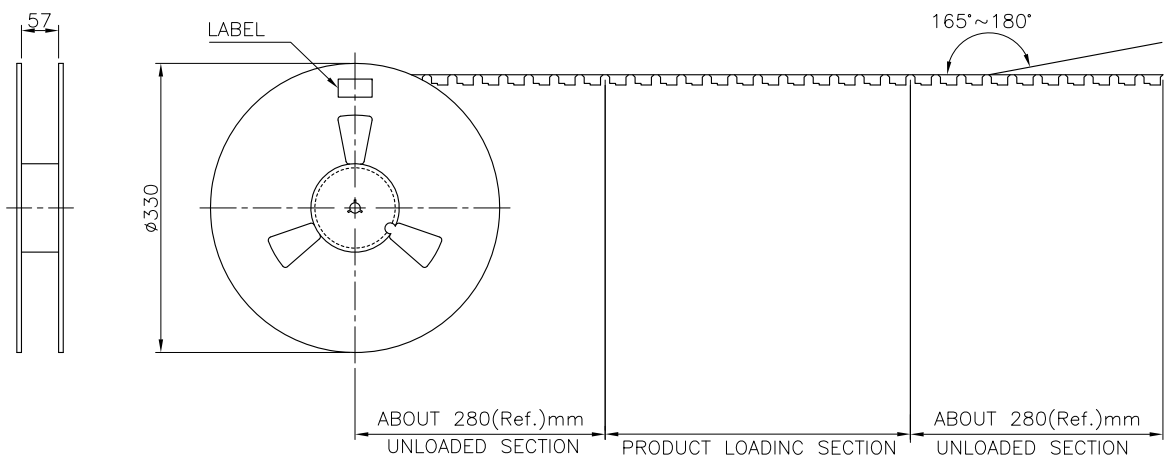
- NOTE:
- MATERIAL:
    - ① HOUSING: PA9T, WITH 30% GF, UL94 V-0, BLACK COLOR.
    - ② LED COVER: PA9T, WITH 30% GF, UL94 V-0, BLACK COLOR.
    - ③ CONTACTS: PHOSPHOR BRONZE.
    - ④ SHELL: BRASS.
    - ⑤ LED SOLDER TAIL: STEEL.
  - FINISH:
    - CONTACTS: (SEE TABLE) GOLD PLATED ON CONTACT AREA, GOLD FLASH ON SOLDER TAIL, 1.27μm [50μ"] MIN. NICKEL ENTIRE CONTACT UNDERPLATED
    - SHELL: 0.508μm [20μ"] MIN. NICKEL PLATED.
    - LED SOLDER TAIL: 2.159μm [85μ"] MIN. TIN PLATED.
  - WAVE SOLDER CAPABLE TO 265°C PER TE SPEC 109-202, CONDITION B.

THIS DRAWING IS A CONTROLLED DOCUMENT.		DWN B. HSING 24APR2009	TE Connectivity	
DIMENSIONS: MM		CHK S. CHIEN 24APR2009		
TOLERANCES UNLESS OTHERWISE SPECIFIED:		APVD W. KODAMA 24APR2009	NAME	
0 PLC ± - 1 PLC ± 0.30 2 PLC ± 0.20 3 PLC ± 0.15 4 PLC ± - ± 3° ANGLES ± - ± 3°		PRODUCT SPEC 108-57760	MODULAR JACK, RJ45+RJ11 DIP TYPE	
MATERIAL SEE NOTE		FINISH SEE NOTE	APPLICATION SPEC -	RESTRICTED TO -
		WEIGHT 3.70 GRAMS	SIZE A3	CAGE CODE -
		CUSTOMER DRAWING	DRAWING NO. ©=2041120	SCALE -
			SHEET 1 of 3	REV B

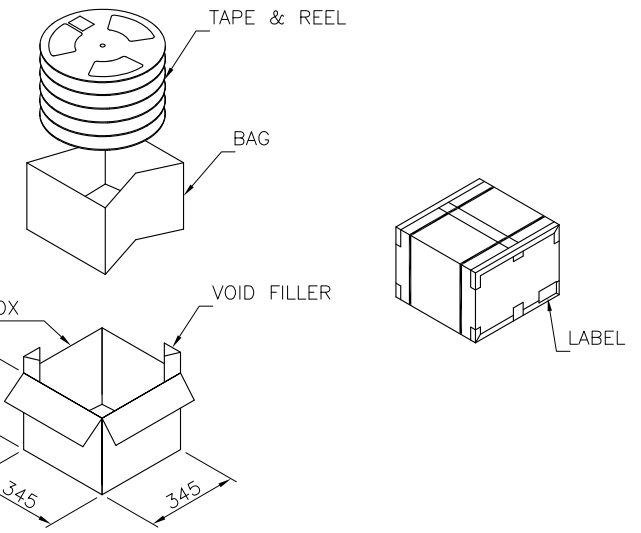
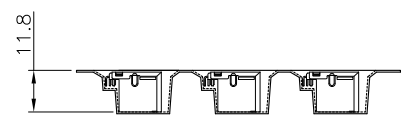
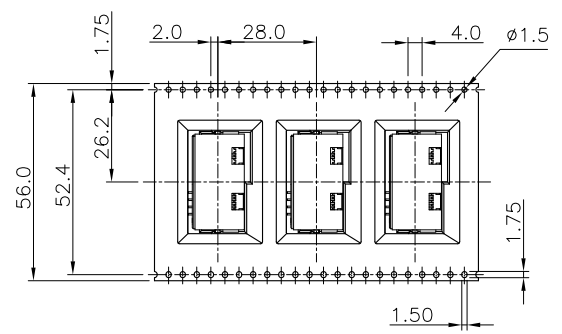


THIS DRAWING IS UNPUBLISHED. RELEASED FOR PUBLICATION AUG. 2006.  
 © COPYRIGHT BY TYCO ELECTRONICS CORPORATION. ALL RIGHTS RESERVED.

LOC	DIST	REVISIONS					
DW		P	LTR	DESCRIPTION	DATE	DWN	APVD
				SEE SHEET 1.			



USER DIRECTION OF UNREELING →



5.7 Kg	3.7 Kg	200	5	1000 PCS
GROSS WEIGHT (Ref.)	NET WEIGHT (Ref.)	PCS/REEL	REELS /BOX	QUANTITY

THIS DRAWING IS A CONTROLLED DOCUMENT.		DWN	<b>STE</b> TE Connectivity		
DIMENSIONS: MM		CHK			
TOLERANCES UNLESS OTHERWISE SPECIFIED:		APVD	MODULAR JACK, RJ45+RJ11 DIP TYPE		
0 PLC ± -		PRODUCT SPEC	SIZE		RESTRICTED TO
1 PLC ± -		APPLICATION SPEC	CAGE CODE		-
2 PLC ± -		WEIGHT	DRAWING NO		
3 PLC ± -			©=2041120		
4 PLC ± -			SCALE		
ANGLES ± -			SHEET		
FINISH			3 of 3		REV B
MATERIAL		CUSTOMER DRAWING			

# Mouser Electronics

Authorized Distributor

Click to View Pricing, Inventory, Delivery & Lifecycle Information:

[TE Connectivity:](#)

[1-2041120-1](#)