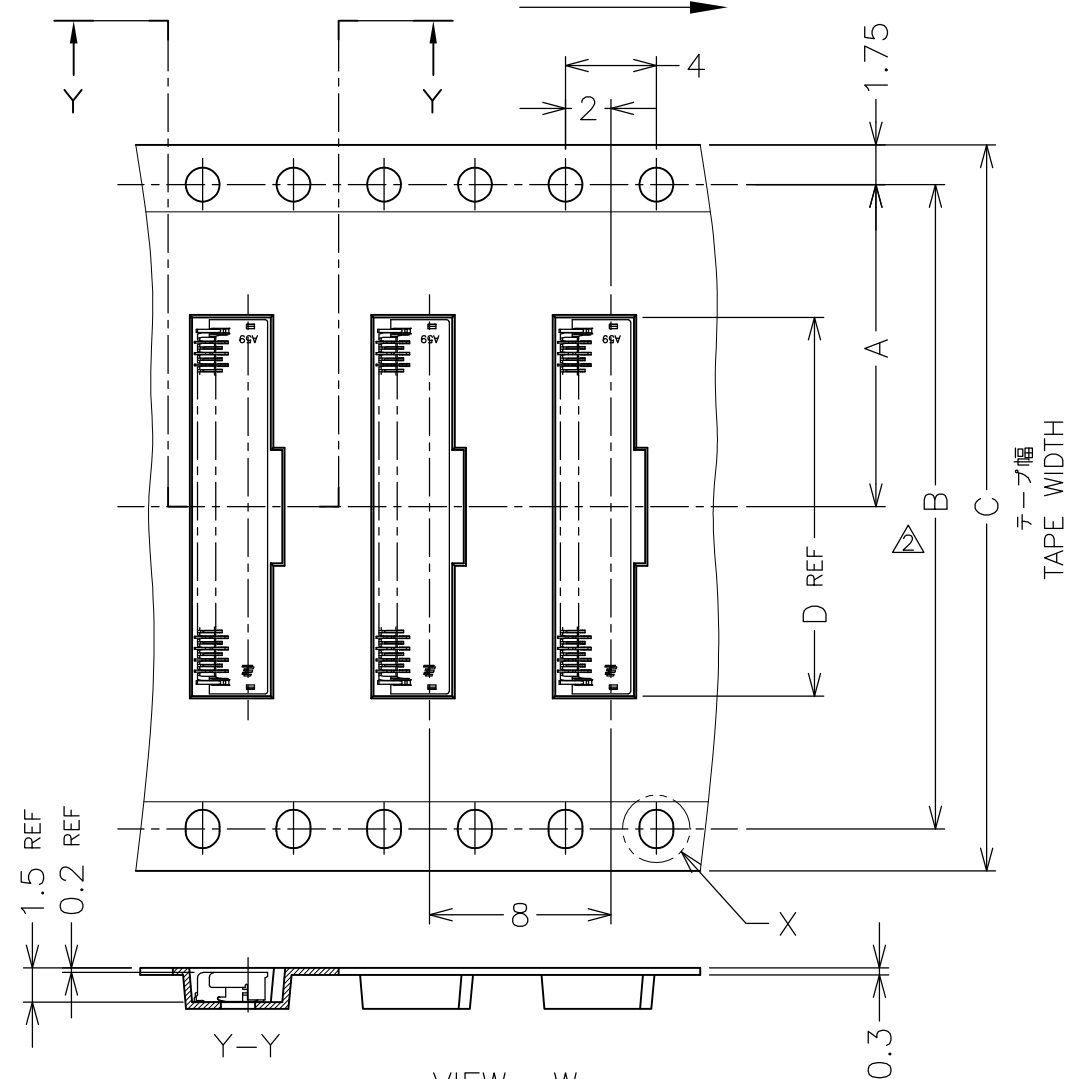


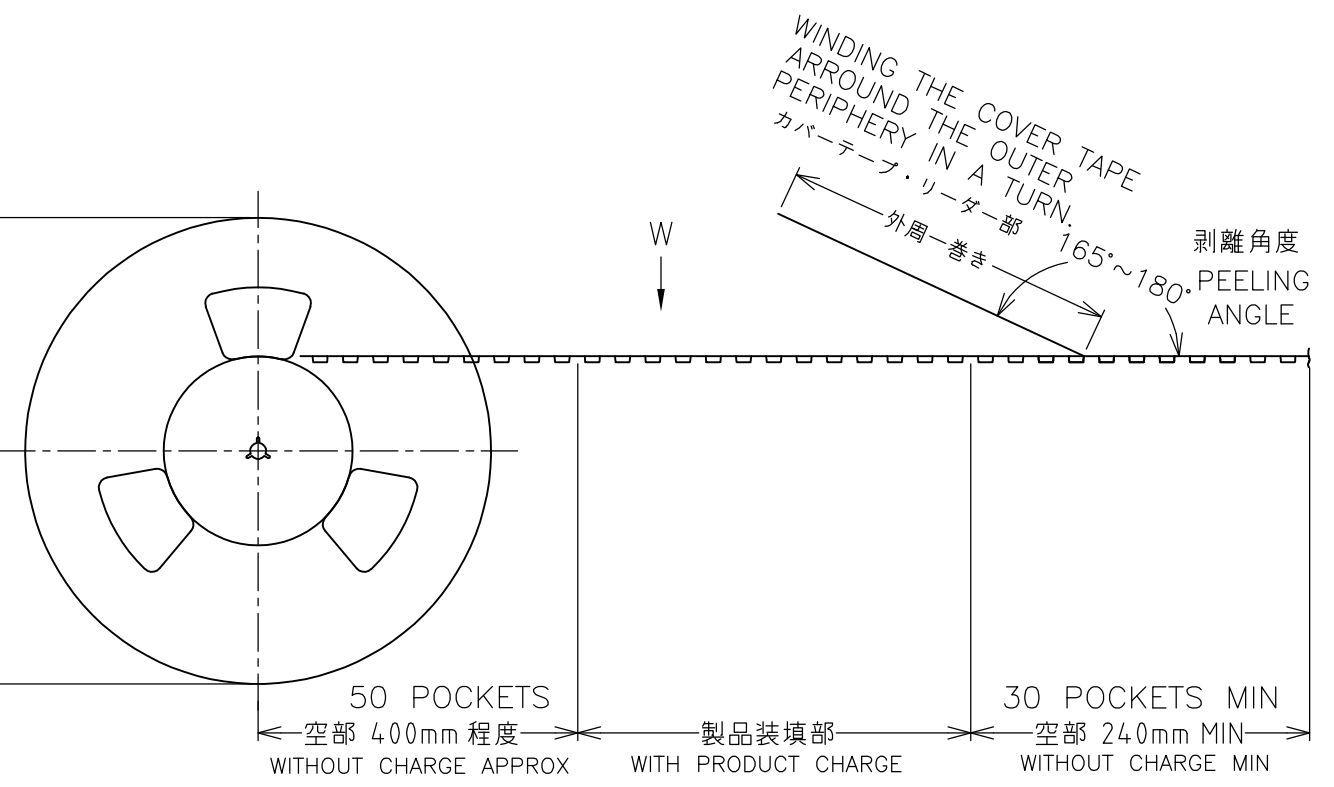
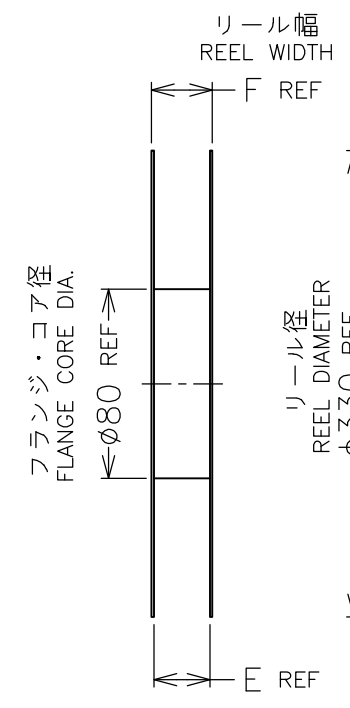
THIS DRAWING IS UNPUBLISHED. RELEASED FOR PUBLICATION NOV. 2008.
 © COPYRIGHT 2008 By - ALL RIGHTS RESERVED.

LOC	DIST	REVISIONS					
J	/	P	LTR	DESCRIPTION	DATE	DWN	APVD
		E		REVISED ECR-12-012475	9JUL2012	Y.K	A.K

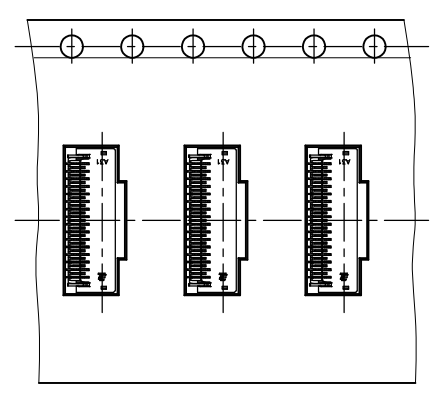
リール引出し方向
DIRECTION OFF TOP OF REEL



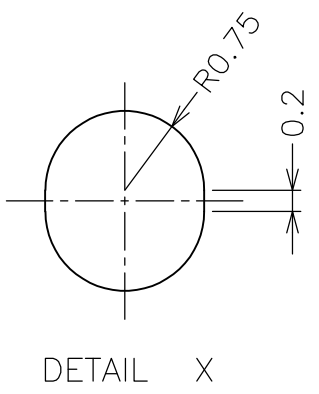
VIEW W
テープ幅 32mm以上に適用
APPLIED TAPE WIDTH 32MM, MORE.



- △ GENERAL TOLERANCE
 10 ≥ ±0.2
 30 ≥ >10: ±0.25
 100 ≥ >30: ±0.3
 ANGLES: ±3°
- △ DIM. 28.4 AND DETAIL "X" APPLIED TAPE WIDE, 32mm MORE.
- △ 一般公差
 10以下: ±0.2
 10を越え 30以下: ±0.25
 30を越え 100以下: ±0.3
 角度: ±3°
- △ 28.4寸法及び"X"詳細図は、テープ幅32mm以上に適用



VIEW W
テープ幅 12mm, 16mm, 24mmに適用
APPLIED TAPE WIDTH 12MM, 16MM AND 24MM.



DETAIL X

OBSOLETE	AVAILABLE	0.115g	30.4	24.4	17.2	24	-	11.5	3500	61	2-2040832-6
	AVAILABLE	0.098g	30.4	24.4	14.7	24	-	11.5	3500	51	2-2040832-1
	AVAILABLE	0.087g	30.4	24.4	13.2	24	-	11.5	3500	45	1-2040832-8
	AVAILABLE	0.080g	30.4	24.4	12.2	24	-	11.5	3500	41	1-2040832-6
	AVAILABLE	0.074g	30.4	24.4	11.2	24	-	11.5	3500	37	1-2040832-4
OBSOLETE	AVAILABLE	0.053g	22.4	16.4	8.2	16	-	7.5	3500	25	2040832-8
	STATUS	CONNECTOR WEIGHT	DIMENSIONS					QTY/REEL	POS.(N)	EMBOSS TAPE PACKAGING PART NUMBER	
			F	E	D	C	B	A			

THIS DRAWING IS A CONTROLLED DOCUMENT.

DWN Y.KODAIRA 17NOV2008
 CHK A.KUBO 26NOV2008
 APVD T.KUSUHARA 26NOV2008

PRODUCT SPEC
製品規格
108-78650

APPLICATION SPEC
取付適用規格
411-78338

WEIGHT

CUSTOMER DRAWING

SCALE 尺度 NTS SHEET 1 OF 2 REV E

RESTRICTED TO

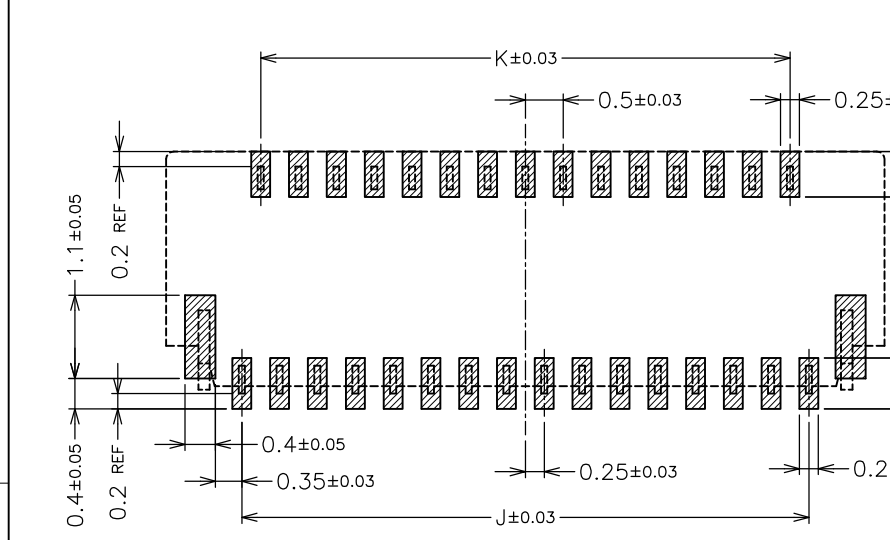
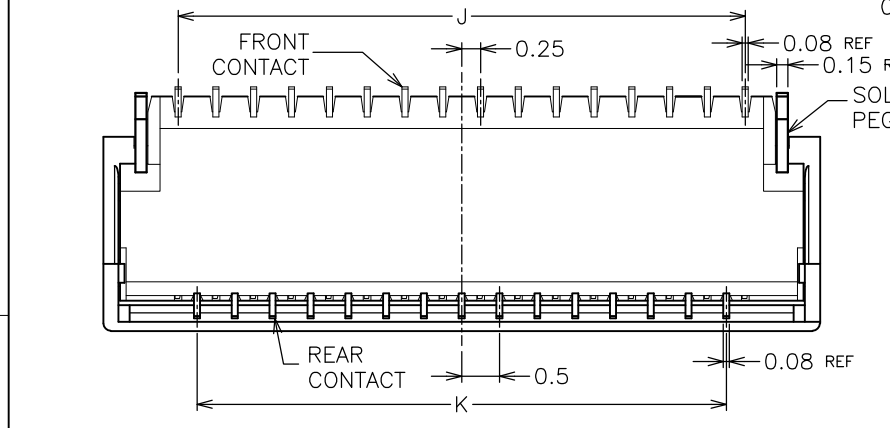
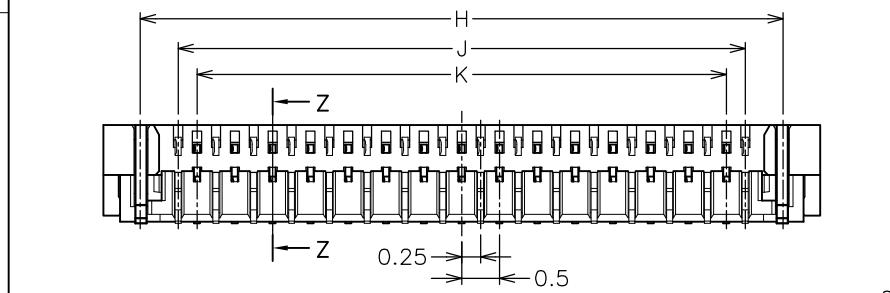
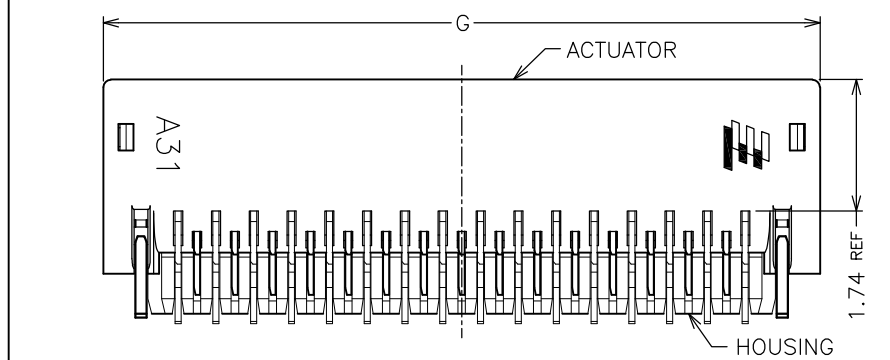
STE TE Connectivity

0.25FPC BF-L-1.3H
1.3mmH, 3.2mmW, GOLD PLATE

SIZE A3 CAGE CODE 00779 DRAWING NO 2040832

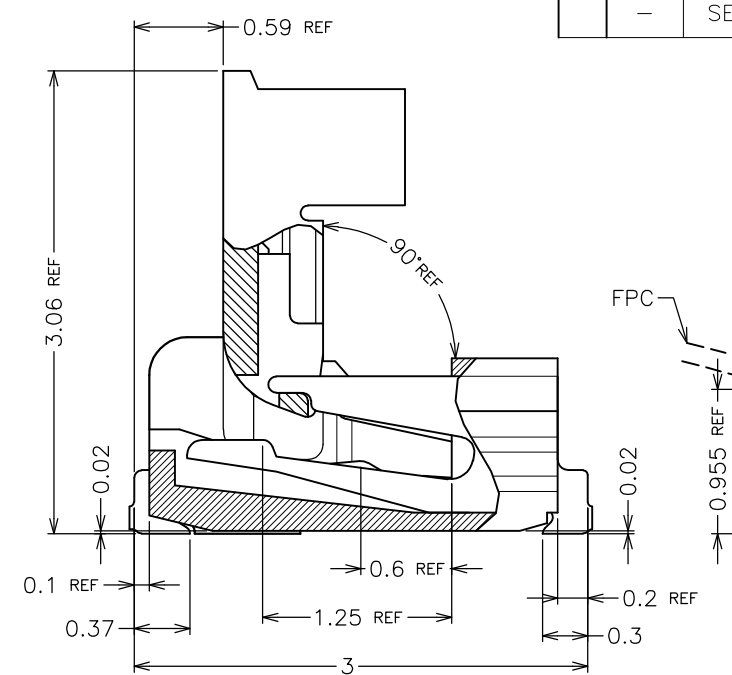
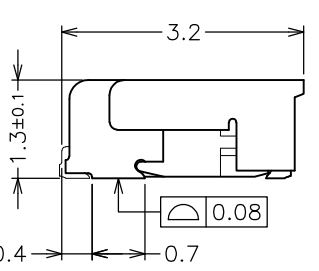
THIS DRAWING IS UNPUBLISHED. RELEASED FOR PUBLICATION NOV. 2008. ALL RIGHTS RESERVED.

LOC	DIST	REVISIONS					
		P	LTR	DESCRIPTION	DATE	DWN	APVD
J		-	-	SEE SHEET 1	-	-	-

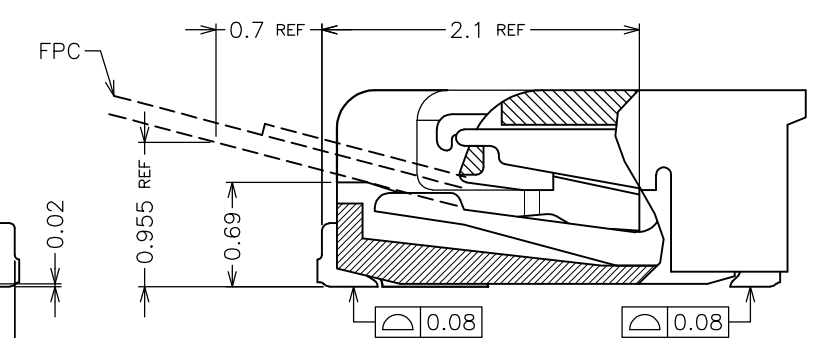


RECOMMENDED PCB PATTERN DIMENSION

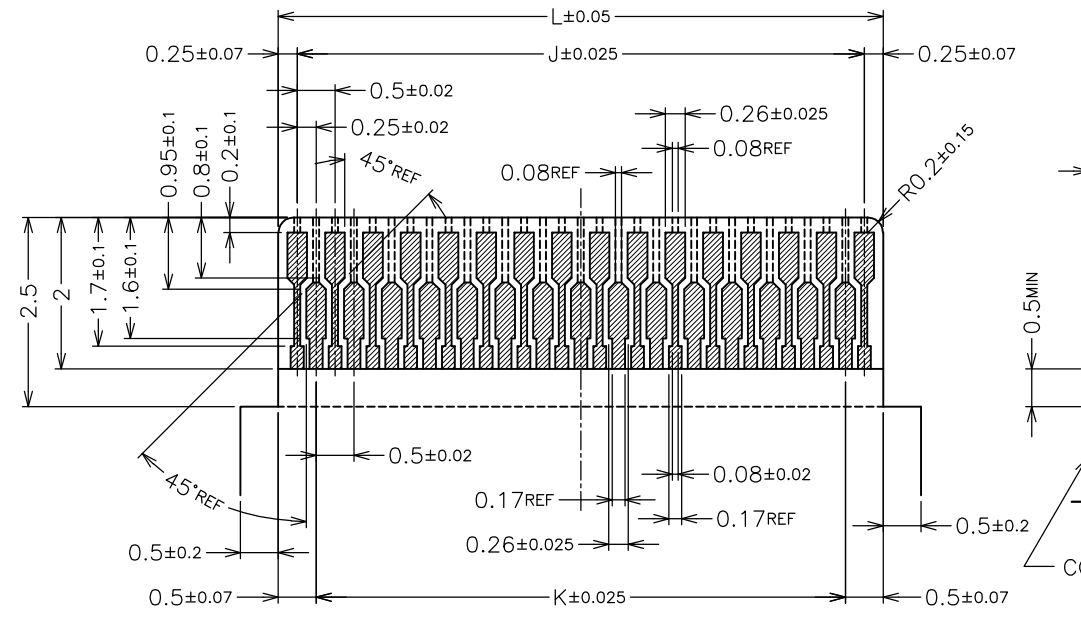
15.5	14.5	15.0	16.0	17.0	61	2-2040832-6
13.0	12.0	12.5	13.5	14.5	51	2-2040832-1
11.5	10.5	11.0	12.0	13.0	45	1-2040832-8
10.5	9.5	10.0	11.0	12.0	41	1-2040832-6
9.5	8.5	9.0	10.0	11.0	37	1-2040832-4
6.5	5.5	6.0	7.0	8.0	25	2040832-8
L	K	J	H	G	POS.	CONN. PART NO



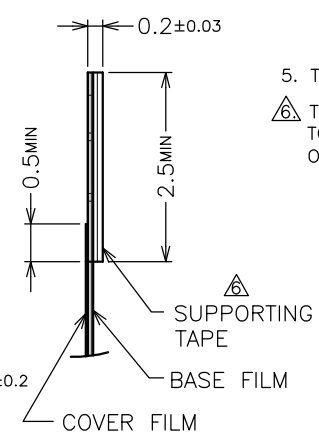
Z-Z (20:1) (ACTUATOR OPEN CONDITION)



Z-Z (20:1) (ACTUATOR CLOSE CONDITION)



RECOMMENDED FPC PATTERN DIMENSION
CONDUCTOR : GOLD OVER NICKEL PLATING (Au 0.1µm MIN.)



- MATERIAL
HOUSING : GRASS FULLED LCP, UL94V-0 (COLOR : NATURAL)
ACTUATOR : GRASS FULLED PPS, UL94V-0 (COLOR : BLACK)
FRONT CONTACT : COPPER ALLOY
REAR CONTACT : COPPER ALLOY
SOLDER PEG : COPPER ALLOY
- FINISH
FRONT CONTACT : GOLD OVER NICKEL PLATING
REAR CONTACT : GOLD OVER NICKEL PLATING
SOLDER PEG : TIN OVER NICKEL PLATING
- THIS PRODUCT IS THE NICKEL DAM TYPE.
△ THE SUPPORTING TAPE OF FPC IS RECOMMENDED TO USE THE POLYIMIDE OR THE EQUIVALENT MATERIAL OF THE THICKNESS OF 50µm OR MORE.
- 材質
ハウジング：ガラス繊維入りLCP樹脂 UL94V-0（色：乳白色）
アクチュエーター：ガラス繊維入りPPS樹脂 UL94V-0（色：黒）
フロントコンタクト：銅合金
リアコンタクト：銅合金
ソルダーペグ：銅合金
- めっき
フロントコンタクト：金めっき（ニッケル下地めっき）
リアコンタクト：金めっき（ニッケル下地めっき）
ソルダーペグ：スズめっき（ニッケル下地めっき）
- 本品は、Ni ダム仕様のコネクタである。
△ FPC の補強板には、厚さ50µm 以上のポリイミドまたは相当材の使用を推奨する。

THIS DRAWING IS A CONTROLLED DOCUMENT.

DIMENSIONS: 単位：mm	TOLERANCES UNLESS OTHERWISE SPECIFIED: 一般公差
0 PLC	±
1 PLC	±
2 PLC	±
3 PLC	±
4 PLC	±
ANGLES	±
MATERIAL 材料	FINISH 仕上

DWN	CHK	APVD	PRODUCT SPEC 製品規格	APPLICATION SPEC 取付適用規格	WEIGHT
CUSTOMER DRAWING					

STE TE Connectivity

NAME 名称
0.25FPC BF-L-1.3H
1.3mmH, 3.2mmW, GOLD PLATE

SIZE	CAGE CODE	DRAWING NO 番号	RESTRICTED TO
A3	00779	G-2040832	-

SCALE 尺度 NTS SHEET 2 OF 2 REV E

Mouser Electronics

Authorized Distributor

Click to View Pricing, Inventory, Delivery & Lifecycle Information:

[TE Connectivity:](#)

[2-2040832-1](#)