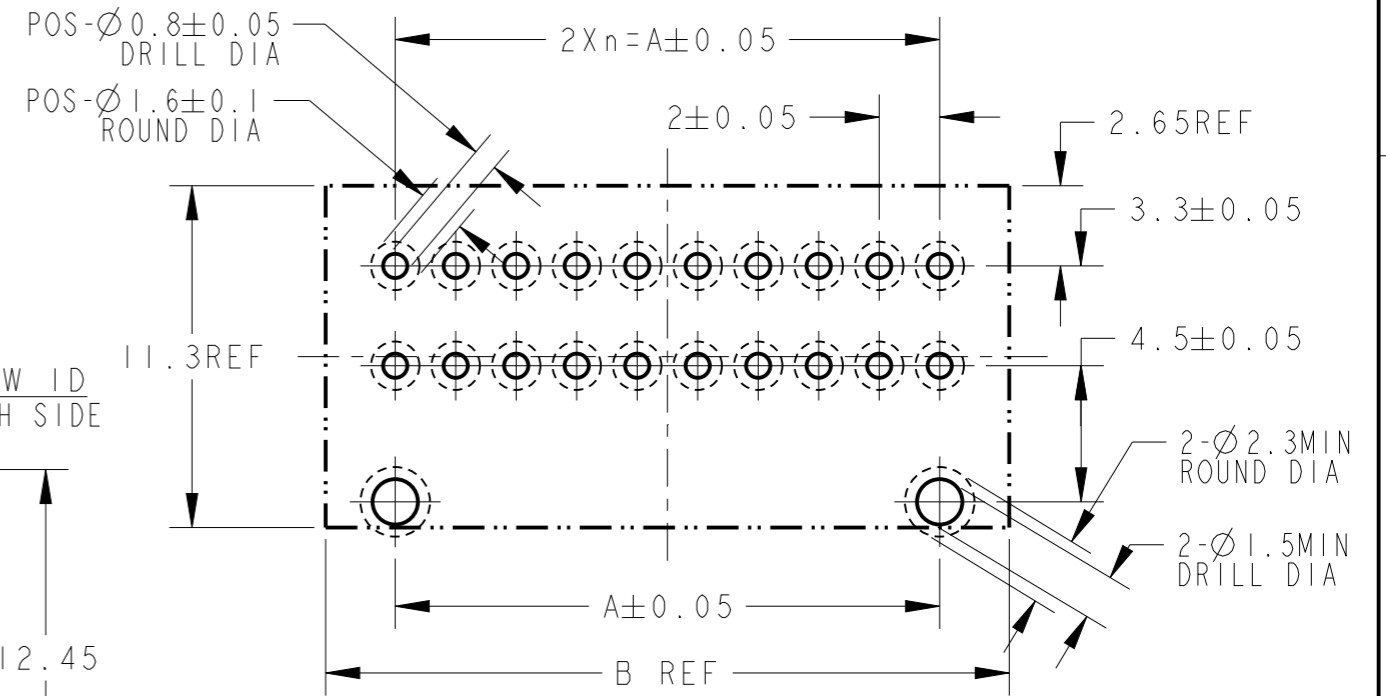
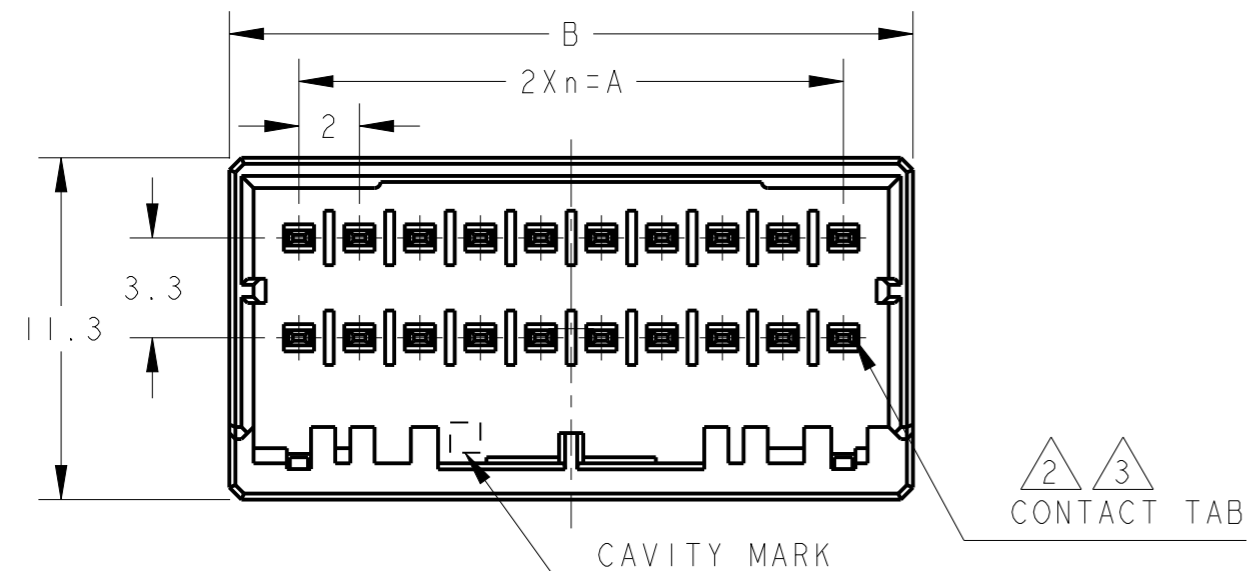
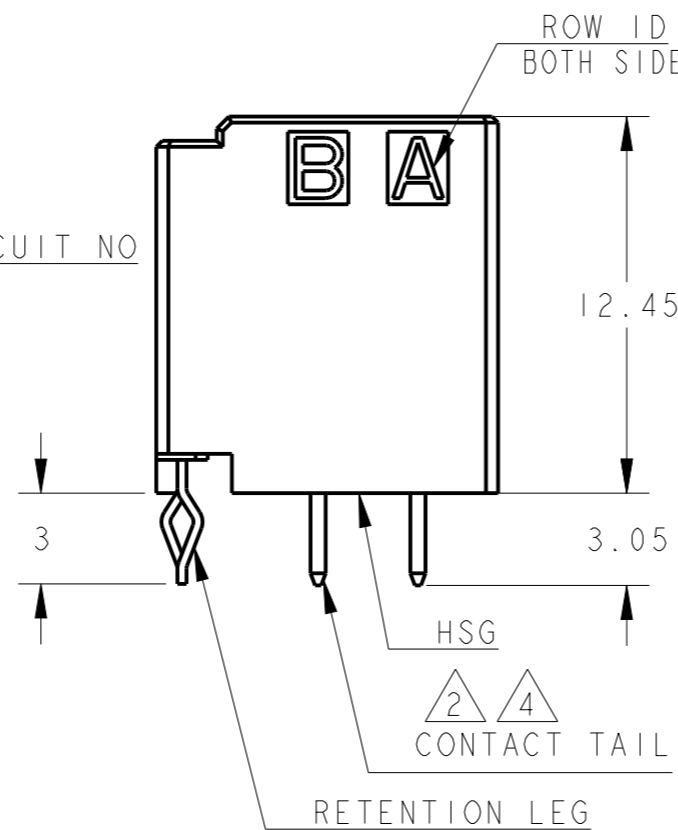
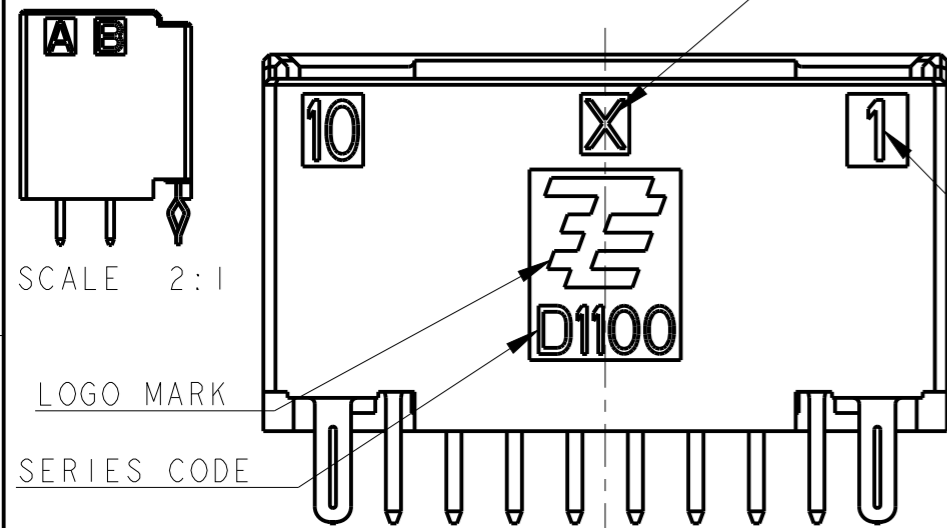


P	LTR	DESCRIPTION	DATE	DWN	APVD
	B2	REVISED	04FEB2021	F.Z	R.B

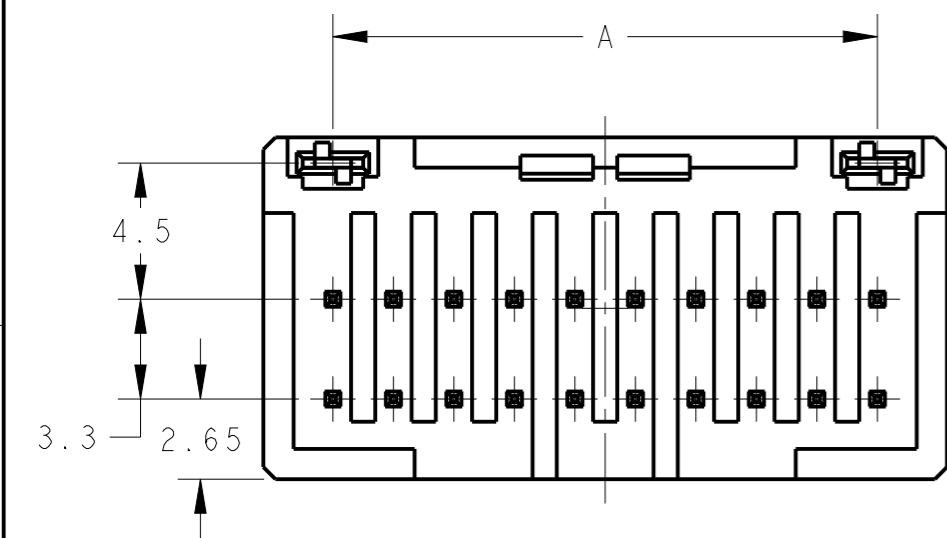


RECOMMEND PC BOARD HOLE PATTERN : CONNECTOR MOUNT SIDE (NOT ACCUMULATE TOLERANCE)  
PC BOARD THICKNESS : 1.0~1.6±0.1



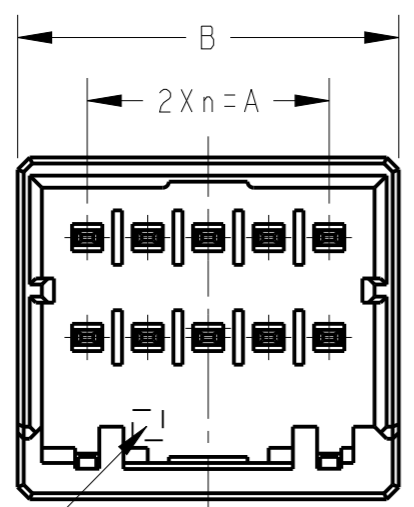
AS SHOWN :  
20POS(X-KEY)1-2040516-0

POS	KEY	n	A	B	FINISHED	PART NO
20	X	9	18.0	22.6	GOLD PLATED	1-2040516-0
18	X	8	16.0	20.6	Sn PLATED	3-2040516-9
18	X	8	16.0	20.6	GOLD PLATED	1-2040516-9
10	X	4	8.0	12.6	Sn PLATED	3-2040516-5
10	X	4	8.0	12.6	GOLD PLATED	1-2040516-5



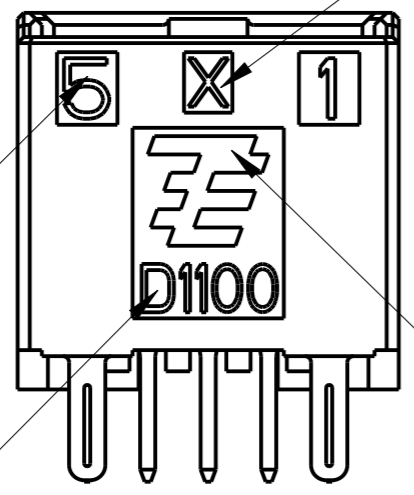
THIS DRAWING IS A CONTROLLED DOCUMENT.		DWN M. MAEBASHI 22JUL2008	<b>TE</b> TE Connectivity											
DIMENSIONS: mm		CHK T. KUDO 22JUL2008												
TOLERANCES UNLESS OTHERWISE SPECIFIED: ±0.3, ±5°		APVD S. MANABE 22JUL2008	NAME DYNAMIC D1100D 2.0mm PITCH HDR ASSY (V-TYPE) 4-20POS											
<table border="1"> <tr><td>Ø PLC</td><td>±</td></tr> <tr><td>1 PLC</td><td>±0.5</td></tr> <tr><td>2 PLC</td><td>±0.13</td></tr> <tr><td>3 PLC</td><td>±0.013</td></tr> <tr><td>4 PLC</td><td>±0.0001</td></tr> <tr><td>ANGLES</td><td>±</td></tr> </table>		Ø PLC		±	1 PLC	±0.5	2 PLC	±0.13	3 PLC	±0.013	4 PLC	±0.0001	ANGLES	±
Ø PLC	±													
1 PLC	±0.5													
2 PLC	±0.13													
3 PLC	±0.013													
4 PLC	±0.0001													
ANGLES	±													
MATERIAL 1		APPLICATION SPEC 114-5377	SIZE A300779											
FINISH 2 3 4		WEIGHT -	DRAWING NO C-2040516											
CUSTOMER DRAWING		SCALE 4:1	RESTRICTED TO											
		SHEET 1 OF 3	REV B2											

P	LTR	DESCRIPTION	DATE	DWN	APVD



CAVITY MARK

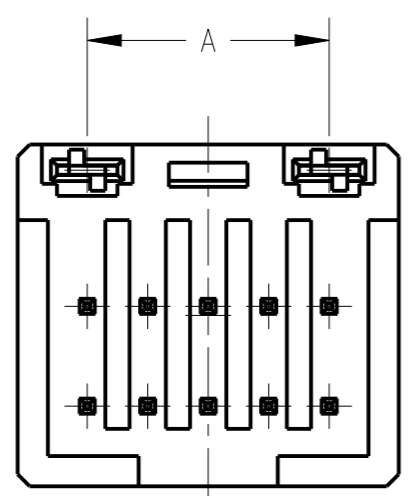
KEYING MARK



CIRCUIT NO

LOGO MARK

SERIES CODE



- ①. 材料：ハウジング：ガラス入り熱可塑性ポリエステル樹脂（94V-0）、色：黒  
 コンタクト：銅合金  
 リテンションレグ：錫めっき済銅合金
- ②. めっき（全面）：ニッケル下地めっき1.27μm以上
- ③. めっき（接触部）：②の上に金めっき0.38μm以上、またはsn1.0 μm以上
- ④. めっき（コンタクト半田付部）：②の上に錫めっき2μm以上
- ⑤. 文字の形状、大きさ、および位置については、大略を示すものであり、  
 詳細を示すものではありません。

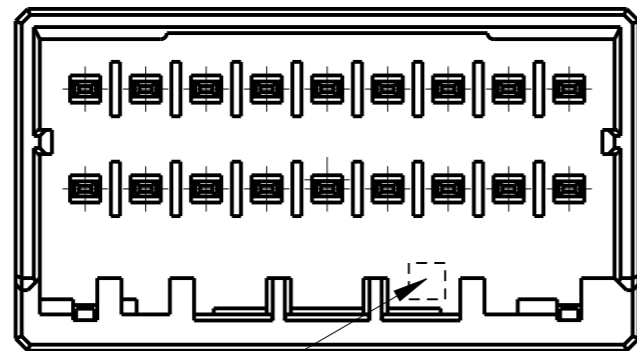
- ①. MATERIAL: HOUSING: GLASS FILED THERMO PLASTIC POLYESTER(94V-0), COLOR: BLACK  
 CONTACT: COPPER ALLOY  
 RETENTION LEG: PRE-TIN COPPER ALLOY
- ②. FINISH(ALL OVER): NICKEL PLATING 1.27μmMIN
- ③. FINISH(CONTACT AREA): GOLD PLATING 0.38μmMIN OR  
 Sn PLATING 1.0μmMIN AFTER ②
- ④. FINISH(CONTACT TAIL): TIN PLATING 2μmMIN AFTER ②
- ⑤. THE SHAPE, SIZE AND POSITION OF THE CHARACTER  
 SHOW THE OUTLINE. THEY DON'T SHOW DETAILS.

10POS(X-KEY): 1-2040516-5

THIS DRAWING IS A CONTROLLED DOCUMENT.		DWN SEE SHEET 1	TE Connectivity	
DIMENSIONS:		CHK SEE SHEET 1		
TOLERANCES UNLESS OTHERWISE SPECIFIED:		APVD SEE SHEET 1	NAME DYNAMIC D1100D 2.0mm PITCH HDR ASSY (V-TYPE) 4-20POS	
0 PLC ±		PRODUCT SPEC SEE SHEET 1	SIZE A300779	
1 PLC ±		APPLICATION SPEC SEE SHEET 1	CAGE CODE C-2040516	
2 PLC ±		WEIGHT -	DRAWING NO -	
3 PLC ±		CUSTOMER DRAWING	RESTRICTED TO	
4 PLC ±			SCALE 4:1 SHEET 2 OF 3 REV B2	
ANGLES ±				
MATERIAL				
FINISH				

SEE SHEET 1 OF 3

P	LTR	DESCRIPTION	DATE	DWN	APVD
		SEE SHEET 1 OF 3			

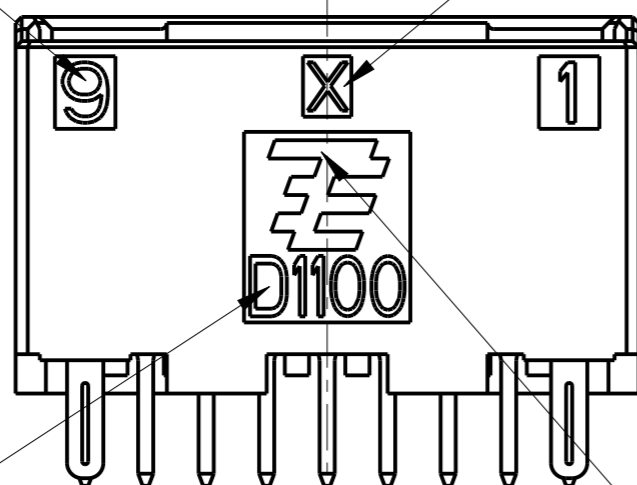


ROW ID  
BOTH SIDE

CIRCUIT NO

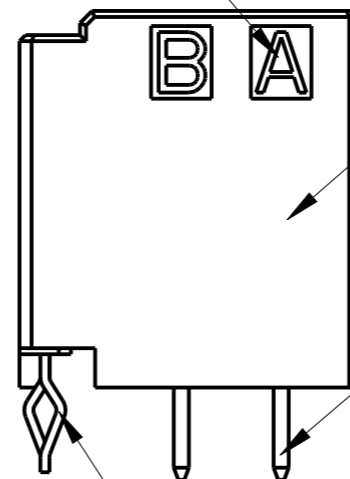
CAVITY MARK  
ALPHABET: CAPITAL LETTER

KEYING MARK



SERIES CODE

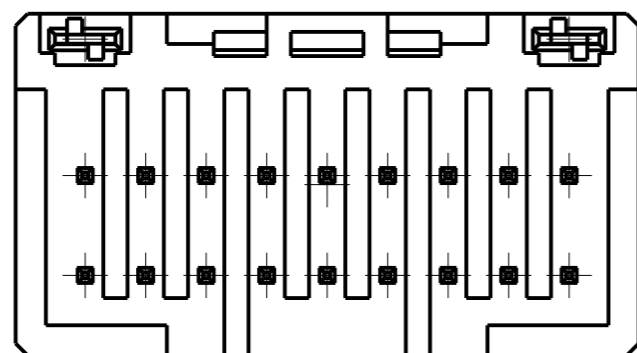
LOGO MARK



HSG

CONTACT

RETENTION LEG



18POS(X-KEY) : 1-2040516-9

THIS DRAWING IS A CONTROLLED DOCUMENT:		DWN SEE SHEET 1		
DIMENSIONS:		CHK SEE SHEET 1		
TOLERANCES UNLESS OTHERWISE SPECIFIED:		APVD SEE SHEET 1	NAME DYNAMIC D1100D 2.0mm PITCH HDR ASSY (V-TYPE) 4-20POS	
0 PLC ±		PRODUCT SPEC SEE SHEET 1	SIZE A3	
1 PLC ±		APPLICATION SPEC SEE SHEET 1	CAGE CODE 00779	DRAWING NO C-2040516
2 PLC ±		WEIGHT -	RESTRICTED TO	
3 PLC ±		CUSTOMER DRAWING	SCALE 4:1	SHEET 3 OF 3
4 PLC ±				REV B2
ANGLES ±				
MATERIAL				
FINISH				

SEE SHEET 1 OF 3

# Mouser Electronics

Authorized Distributor

Click to View Pricing, Inventory, Delivery & Lifecycle Information:

[TE Connectivity:](#)

[1-2040516-9](#)