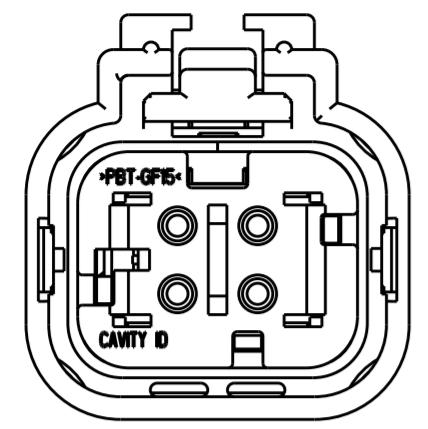
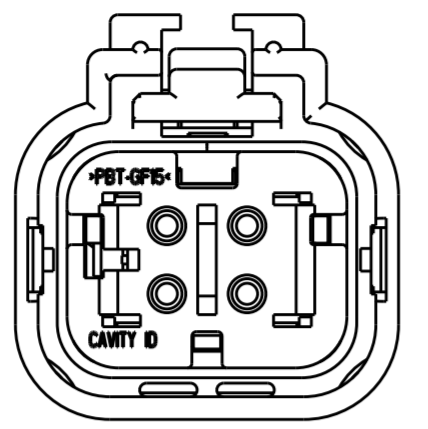


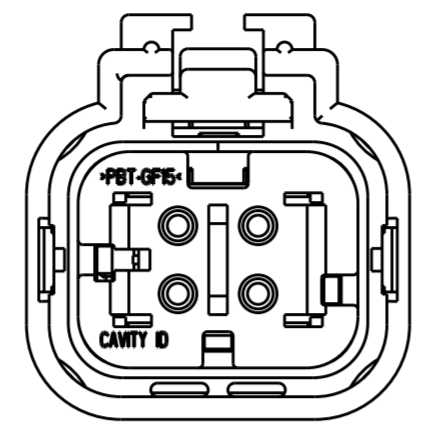
REVISIONS					
P	LTR	DESCRIPTION	DATE	DWN	APVD
A		REVISED PER ECO-10-007650	12APR2010	DD	RB
B		REVISED PER ECO-13-019865	27DEC2013	DR	RB



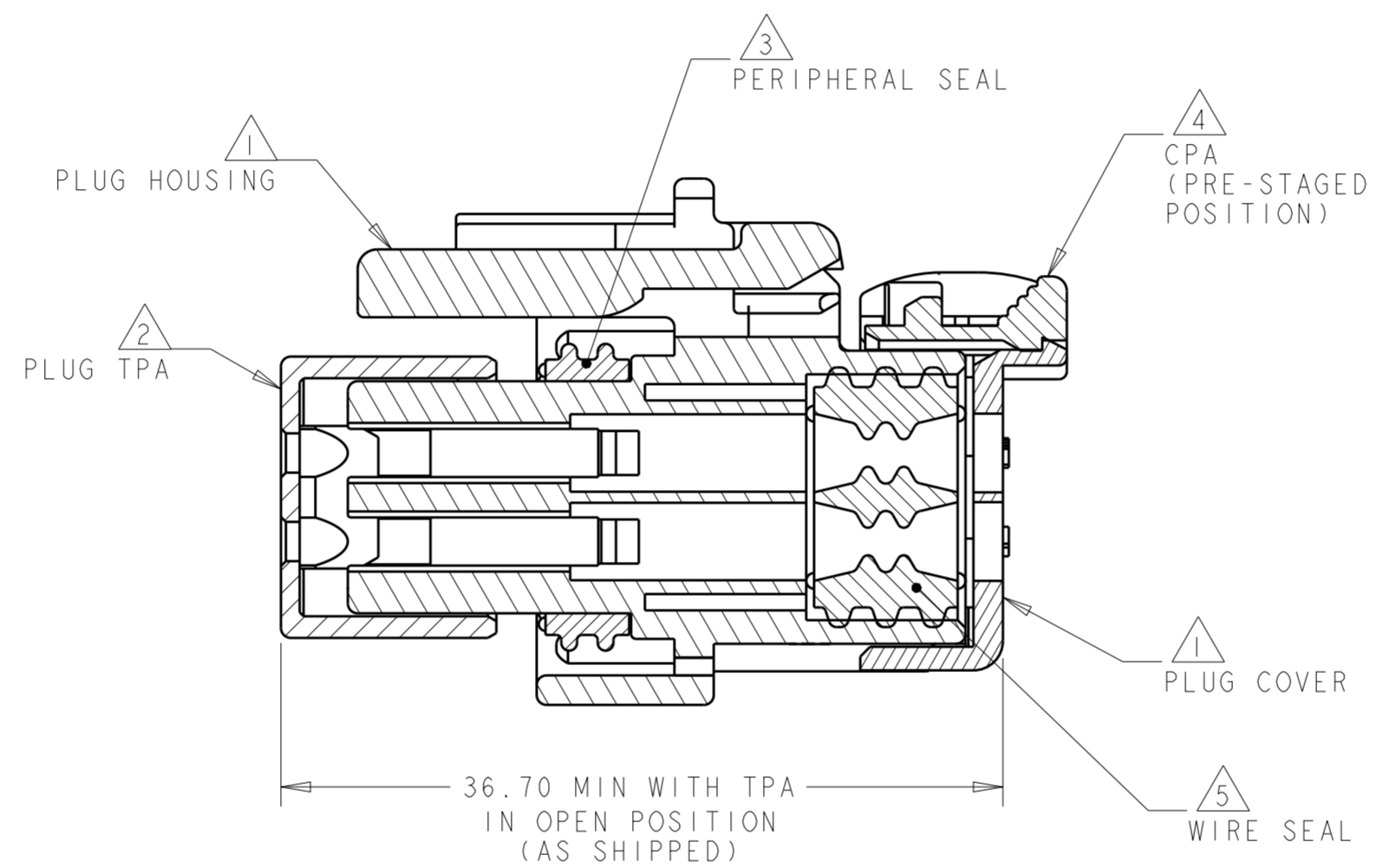
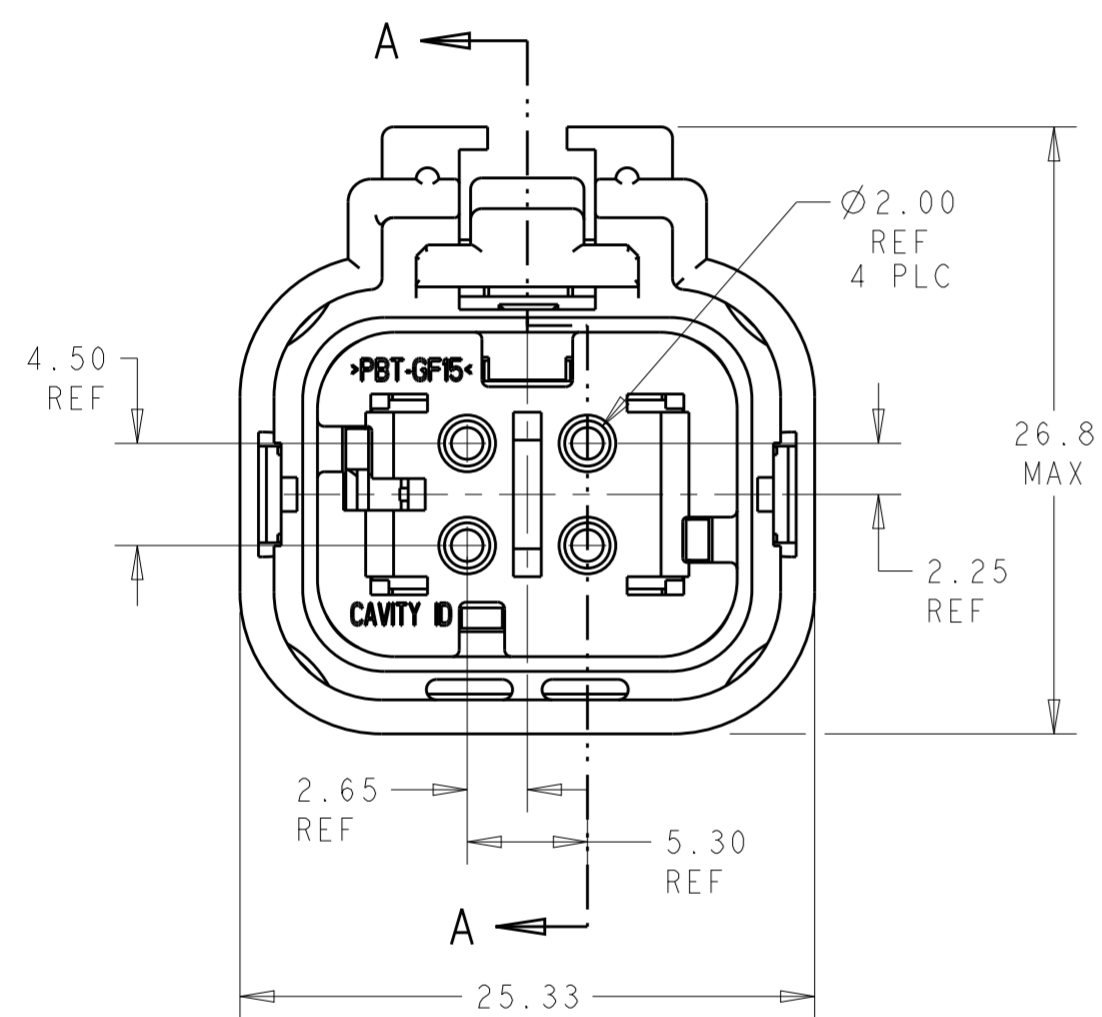
2035378-2  
 PURPLE TPA  
 KEY B  
 SCALE 2:1



2035378-3  
 BLUE TPA  
 KEY C  
 SCALE 2:1

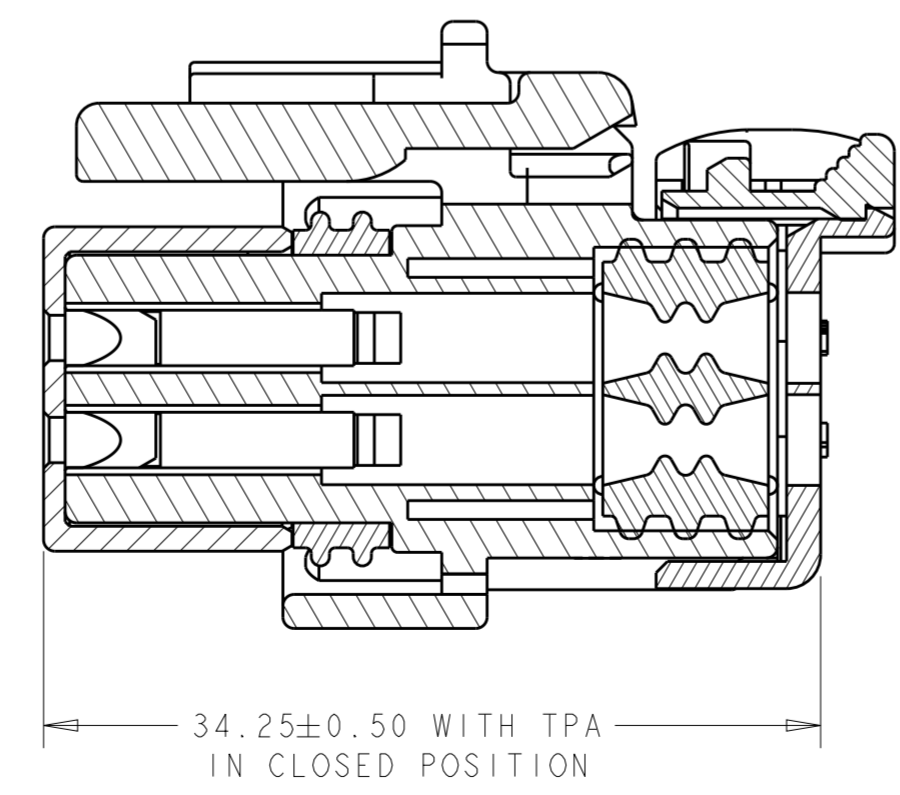


2035378-4  
 TAN TPA  
 KEY D  
 SCALE 2:1



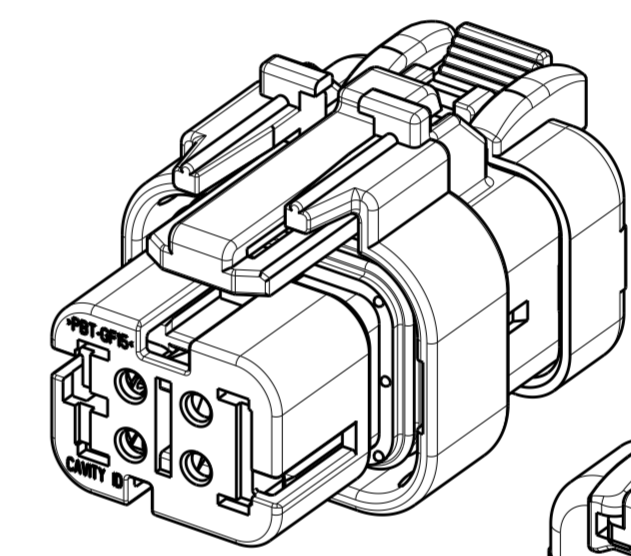
SECTION A - A

2035378-1 SHOWN  
 ORANGE TPA  
 KEY A

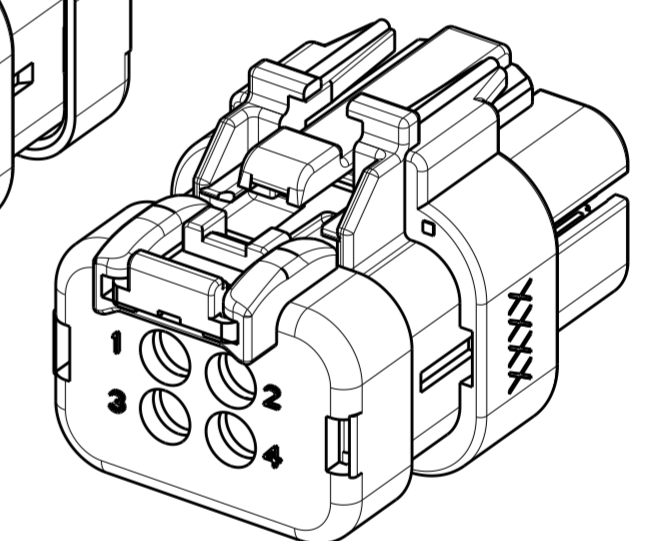


SECTION A - A

- 1 HOUSING AND COVER MATERIAL: 25% GLASS FILLED THERMOPLASTIC, COLOR: NATURAL (BROWN)
- 2 TPA MATERIAL: 20% GLASS FILLED THERMOPLASTIC, COLOR: (SEE TABLE)
- 3 PERIPHERAL SEAL MATERIAL: SILICONE COLOR: TAN
- 4 MATERIAL: 20% GLASS FILLED THERMOPLASTIC, COLOR: ORANGE
- 5 WIRE SEAL MATERIAL: SILICONE COLOR: GREEN
- 6. RECOMMENDED WIRE DIAMETER RANGE IS 2.18 TO 3.67mm



SCALE 2:1



SCALE 2:1

D	TAN	2035378-4
C	BLUE	2035378-3
B	PURPLE	2035378-2
A	ORANGE	2035378-1
KEY	TPA COLOR	PART NUMBER

THIS DRAWING IS A CONTROLLED DOCUMENT.		DWN 10 JUL 2009 RUSTY WORTHINGTON	TE Connectivity	
DIMENSIONS: mm		CHK 10 JUL 2009 ROGER BALTER		
TOLERANCES UNLESS OTHERWISE SPECIFIED:		APVD 10 JUL 2009 ROGER BALTER	NAME PLUG ASSEMBLY, 4 POSITION, DUAL ROW, AMPSEAL 16, VO MATERIAL	
0 PLC ±	1 PLC ±0.5	PRODUCT SPEC 108-2184	SIZE	CAGE CODE
2 PLC ±0.30	3 PLC ±	APPLICATION SPEC 114-13065	DRAWING NO A200779	DRAWING NO C-2035378
4 PLC ±	ANGLES ±	WEIGHT 12.5±1g	RESTRICTED TO	
FINISH -	-	Customer Drawing	SCALE 3:1	SHEET 1 OF 1
			REV B	

# Mouser Electronics

Authorized Distributor

Click to View Pricing, Inventory, Delivery & Lifecycle Information:

[TE Connectivity:](#)

[2035378-1](#)